

TECHNICAL MANUAL

EN 2 ES 126 FR 250 IT 376 DE 501

# BLUE PAPER RISE

HYDRO SL-LT 2025



**ORBEA**

# INDEX

<b>01 ABOUT THIS MANUAL</b> .....	<b>6</b>
<b>02 SYMBOL LEGEND</b> .....	<b>7</b>
<b>03 ORBEA WARRANTY</b> .....	<b>8</b>
Legal warranty .....	8
Orbea lifetime warranty.....	8
Register your bicycle .....	8
Guarantee on the electrical assist system components .....	9
Shimano steps components.....	9
Exclusive Orbea RS components.....	9
Warranty claims process.....	9
<b>04 MAINTENANCE</b> .....	<b>10</b>
Keeping your bicycle clean.....	10
Lubricating the drivetrain .....	10
Inspect your bicycle before each ride.....	10
Maintenance periods.....	11
Spare parts .....	12
After an impact or a crash .....	12
<b>05 RISE USAGE WARNINGS</b> .....	<b>14</b>
Maximum tyre width .....	14
Minimum seatpost insertion .....	14
Maximum fork length (axle-to-crown).....	14
Maximum number of headset spacers.....	14
Minimum distance between the wheel and saddle in maximum compression .....	15
Intended use.....	15
<b>06 WARNINGS ON THE USE OF THE ELECTRICAL ASSIST SYSTEM</b> .....	<b>16</b>
Always follow the recommendations for use of the electrical components and the batteries.....	16
More relevant information on Orbea Ebike System Li-ion batteries .....	17
Range.....	19
Transporting the batteries of electric bicycles .....	19
Transporting electric bikes.....	19
<b>07 TECHNICAL SPECIFICATIONS</b> .....	<b>20</b>
Geometry.....	20
Ergonomics.....	21
Maximum and minimum saddle heights with dropper seatpost .....	21
Technical specifications of the frame.....	23

Technical Specifications Shimano Ep801 and Ep600 .....	26
Orbea E-bike System Gen2 Technical Specifications .....	28
<b>08 USE OF RISE .....</b>	<b>31</b>
Charging the internal battery .....	31
Orbea RS 630 Wh Gen2 and 420 Wh Gen2 internal batteries .....	31
210Wh Gen2 Range Extender external battery .....	32
Switching Rise On/Off .....	32
Displaying the battery charge level .....	32
SW-EN600-L remote control .....	32
SC-EN600 Display .....	32
Compatible Garmin devices. Orbea RS Toolbox .....	33
Orbea RS Gen2 Batteries .....	33
Changing the assist level .....	33
Assist profiles. RS/RS+ .....	34
Selecting the assist profiles .....	34
Customising the assist levels .....	35
Warnings/errors in the electrical assist system .....	36
Operating the display using the SW-EN600-L switch unit .....	37
Light connections in Rise .....	37
E-TUBE RIDE app .....	37
Orbea RS Toolbox. Data field for Garmin devices .....	37
Suspension adjustment .....	38
Suspension fork adjustment .....	38
Adjusting shocks .....	42
<b>09 HS02 HEADSET .....</b>	<b>46</b>
HS02 headset elements on Rise Hydro .....	46
HS02 headset specifications in Rise .....	47
Cable routing in HS02 headset in Rise .....	47
Mounting the HS02 headset .....	48
Adding and removing headset spacers .....	50
<b>10 STEMS .....</b>	<b>52</b>
OC ST-MC10 / ST-MC20 stems. Elements .....	52
OC ST-MC11 STEM. Elements .....	53
OC MC10/MC11/MC20 stems. Technical specifications .....	53
OC ST-MC10, ST-MC20 and ST-MC11. Assembly compounds and tightening torques .....	54
Fitting OC Mountain Control stems .....	55
<b>11 OC CM-05 GPS MOUNT .....</b>	<b>57</b>
<b>12 HANDLEBARS .....</b>	<b>58</b>
OC handlebars specifications .....	58
<b>13 WHEEL AXLES AND DERAILLEUR HANGER .....</b>	<b>59</b>
Assembly compounds and tightening torques .....	59

<b>14 MAIN SWINGARM PIVOT POINT</b> .....	<b>60</b>
Assembly compounds and tightening torques .....	60
Installation process .....	61
<b>15 LINKAGE AND SHOCK ABSORBER AREA</b> .....	<b>61</b>
Elements .....	62
Assembly compounds and tightening torques .....	62
Frame-linkage pivot point. Assembly compounds and tightening torques .....	62
Seatstay-linkage pivot point. Assembly compounds and tightening torques .....	63
SL yoke. Assembly compounds and tightening torques .....	63
LT Yoke. Assembly compounds and tightening torques .....	64
Fixing the SL shock .....	66
Fixing the LT shock .....	66
Attitude Adjust. Geometry change on LT models .....	66
<b>16 SEATPOST CLAMP INSTALLATION</b> .....	<b>68</b>
<b>17 CHAINGUIDE</b> .....	<b>69</b>
<b>18 LOCKR. TOOL STORAGE IN THE FRAME</b> .....	<b>69</b>
OC FLP MT-20 multi-tool and rear axle cam .....	69
<b>19 BOTTLE HOLDER PLATE</b> .....	<b>70</b>
<b>20 PROTECTORS</b> .....	<b>71</b>
Chainstay and motor protectors .....	71
<b>21 CABLING</b> .....	<b>72</b>
Overview of frame component cabling .....	72
Cable Pass. Cabling between main triangle and swingarm .....	72
Installing Cable Pass tubes .....	73
Motor housing cabling .....	75
Stem and handlebar cabling of Shimano components .....	75
<b>22 ELECTRICAL ASSIST SYSTEM COMPONENTS</b> .....	<b>77</b>
Component connection diagram .....	77
Connection of motor components .....	78
Speed sensor. Compatible brake discs and magnets .....	79
Attachment of the motor to the frame .....	80
Internal battery .....	80
Internal battery specifications .....	80
Fixing the internal battery to the frame .....	81
Connection of the cable harness to the internal battery .....	81
Troubleshooting the internal battery (Information for distributors) .....	82
Removing the internal battery (information for dealers) .....	82
RS 210 Wh Gen2 Range Extender .....	85
Compatibility notice .....	85
Technical specifications .....	85

Charging the range extender .....	86
Mounting the Range Extender .....	87
Operation of the Range Extender .....	88
Charge level display .....	89
Storing the Range Extender .....	90
Check the health state of the Range Extender .....	90
Troubleshooting .....	91
Smart Charger 2A-4A Gen2 .....	92
Connection to Etube Professional. Information for distributors. ....	94
<b>23 TIGHTENING TORQUES. OVERVIEW .....</b>	<b>97</b>
<b>24 RISE HYDRO 2025 SPARE PARTS .....</b>	<b>99</b>
Headset .....	100
OC MC10/MC20 stems .....	102
OC MC11 stem .....	104
Rear axle .....	106
Main swingarm pivot point .....	108
Linkage .....	109
SL Shock yoke .....	111
LT Shock yoke .....	112
Shock fixing .....	114
Cabling .....	115
Protectors .....	117
Motor fixing .....	118
Other frame hardware .....	119
Electrical system components .....	121
RS 210 Wh Gen2 Range Extender .....	124
<b>25 ADDITIONAL INFORMATION .....</b>	<b>125</b>

# 01 ABOUT THIS MANUAL

This technical manual contains important information about your bicycle, on how to use it, its maintenance and spare parts. Read it carefully.

This document is a supplement to the General User Manual for Orbea bicycles and components, which describes the proper use and adjustment of general bicycle components in greater detail for safe riding and operation. You can view and download the User Manual, as well as the rest of the technical manuals for Orbea products, from our website:

[www.orbea.com/gb-en/support/manuals](http://www.orbea.com/gb-en/support/manuals)

You can consult the relevant information on the use, maintenance and characteristics of the components from other manufacturers that are fitted to our bicycles, such as wheels, handlebars, pedal assist systems, suspension forks, etc., on the website of the manufacturer in question or through their dealer in your country.

## **WARNING TO USERS**

---

The assembly and/or maintenance of the components described in this manual require mechanical knowledge that may be beyond the skills of most buyers. If, as a user, you do not have the necessary knowledge for the safe installation of these components, always go to an Orbea distributor to carry out the installation, replacement and/or maintenance of the components of your bike to guarantee its safety.

Damage to components resulting from their incorrect installation or maintenance is not covered under the warranty terms.

## 02 SYMBOL LEGEND

Throughout this manual various symbols are used to detail instructions, warnings or relevant information on use, maintenance and assembly. Pay attention to these symbols to avoid dangerous situations and to ensure the correct use and assembly of all components.

The meaning of these symbols is explained below. In this manual, the symbol may be accompanied only by the relevant instruction for the component it describes. Read the following information carefully to understand its meaning.

### SAFETY INSTRUCTIONS



**DANGER:** Dangerous situation which, if not avoided, will result in serious injury or death



**WARNING:** Dangerous situation which, if not avoided, could result in serious injury or death.



**CAUTION:** Dangerous situation which, if not avoided, may result in minor or moderate injury.

#### NOTICE

Situation not related to physical injury. Relevant information.



**DANGER. RISK OF ELECTRIC SHOCK:** Hazardous situation which, if not avoided, could result in death or serious injury from electric shock.



**WARNING. SHORT CIRCUIT RISK:** Not following the instructions can lead to short circuits in the electrical components, which could cause damage to the components and fire.

The symbols DANGER and WARNING always imply a risk of accident if measures are not taken to avoid the situation they describe. An accident while riding a bicycle can always involve a risk of serious injury or even death. The risk of death will not always be repeated in this manual when these symbols appear, as the risk is detailed here.

### TOOLS AND TIGHTENING TORQUES



FLAT SPANNER



TORX SPANNER



ALLEN KEY



PHILLIPS  
SCREWDRIVER



The tool size to use appears inside the symbol



10 N.m

The indicated tightening torque in Newton metres is specified under the symbol for the tool to be used.

Always use the right tools and products for a specific maintenance or repair operation. Unsuitable or poorly maintained tools, or the use of generic products, may cause damage to components that are not then covered by the warranty conditions.

### ASSEMBLY COMPOUND

The legend for the assembly compounds to use in a specific component or area is given in each image related to the assembly of that component throughout this manual.

## 03 ORBEA WARRANTY

Our continuous daily effort to provide our bicycles at the highest quality allows us to offer the following warranty coverage and conditions:

### LEGAL WARRANTY

Orbea offers the original owner of the Orbea bicycle, rigid fork or OC component a statutory warranty of 3 years from the date of purchase of the items, or the period stipulated as the statutory warranty period in the country of purchase.

This warranty covers all Orbea products against manufacturing defects and/or failure to meet the standard and guarantees the repair or replacement of the defective product at no cost to the affected customer. Likewise, this warranty also covers paint, varnish and corrosion defects on all frames and rigid forks we fit to our bicycles during the period specified in the previous paragraph of this warranty.

The processing of any guarantee request for components from suppliers external to Orbea must be handled through an authorised distributor for the supplier of the component involved.

This warranty does not, under any circumstances, cover damage as a result of inappropriate use, falls or accidents or the lack of maintenance, as well as the normal wear and tear of consumable parts, such as, by way of example, but without limitation: seals, bearings, handlebar tape, spokes, tyres, saddles, etc.

For a full description of the coverage conditions and the statutory warranty, please visit:

[www.orbea.com/gb-en/warranty](http://www.orbea.com/gb-en/warranty)

### ORBEA LIFETIME WARRANTY

In addition to the statutory warranty, Orbea offers the original buyer of the bicycle the Orbea lifetime commercial warranty, which covers the frames and rigid forks that we fit to our bicycles against manufacturing defects and material conformity issues with no time limitation, as long as they have registered their product on the Orbea website within 30 days of its purchase.

This warranty extends the original period of coverage against paint, varnish or corrosion defects on the frames and rigid forks by one additional year after the end of the legal warranty period.

Orbea's lifetime commercial warranty only covers frames and rigid forks, but not OC components.

For a full description of the warranty conditions for the lifetime warranty, please visit:

[www.orbea.com/gb-en/warranty/#orbea-lifetime-warrant](http://www.orbea.com/gb-en/warranty/#orbea-lifetime-warrant)

## REGISTER YOUR BICYCLE

In order to benefit from the Orbea lifetime warranty extension, you must register your bicycle within 30 days of its purchase at:

[www.orbea.com/gb-en/acceso-registro?from=register-plate/](http://www.orbea.com/gb-en/acceso-registro?from=register-plate/)

### 1. REGISTER YOUR ACCOUNT

The screenshot shows the 'REGISTRATE EN ORBEA' form. It includes a navigation bar with 'BICICLETAS', 'eBikes', 'PERSONALIZACION', 'EQUIPAMIENTO', and 'HISTORIAS'. The main form has two columns. The left column is titled '¿YA FORMAS PARTE DE ORBEA?' and contains fields for 'EMAIL\*' and 'CONTRASEÑA\*' with a '¡Has olvidado tu contraseña?' link. Below these is a 'ACCEDER' button. The right column is titled 'REGISTRATE EN ORBEA' and contains a list of benefits: 'GARANTIA ORBEA', 'PERSONALIZACIÓN', 'NEWSLETTERS', 'COMPRA ONLINE', and 'USADO'. It also has fields for 'EMAIL\*', 'CONTRASEÑA\*', and 'REPETIR CONTRASEÑA\*', along with checkboxes for terms and conditions and a 'REGISTRARME' button.

### 2. REGISTER YOUR BARCODE

The screenshot shows the 'REGISTRO DE GARANTÍA' form. It includes a navigation bar with 'BICICLETAS', 'eBikes', 'PERSONALIZACION', 'EQUIPAMIENTO', and 'HISTORIAS'. The main form has a title 'REGISTRO DE GARANTÍA' and a subtitle 'Registra la matrícula de tu bicicleta para distribuir de la Garantía Orbea'. It contains fields for 'MATRÍCULA\*' and 'FECHA DE COMPRA\*'. Below these are two dropdown menus for 'NIVEL DE SATISFACCIÓN' with the labels 'MI NIVEL DE SATISFACCIÓN CON EL PROCESO DE COMPRA ES...' and 'MI NIVEL DE SATISFACCIÓN CON EL PRODUCTO ES...'. There are also checkboxes for terms and conditions and a 'REGISTRAR MATRÍCULA' button.

### 3. WHERE TO FIND YOUR BARCODE





## GUARANTEE ON THE ELECTRICAL ASSIST SYSTEM COMPONENTS

### SHIMANO STEPS COMPONENTS

The components of the Shimano STEPS electrical system (motor, speed sensor, assist level change switch, display and Di2 wiring) are covered by a 3-year statutory warranty from the date of purchase of the article or the bicycle, or the period stipulated as the statutory warranty period in the country of purchase.

All warranty requests must be handled through Shimano or through one of the brand's authorised dealers.

### EXCLUSIVE ORBEA RS COMPONENTS

Orbea's exclusive RS electrical system components (internal battery, Range Extender, battery connection harness cable, motor and charging port) are covered by a 3-year statutory warranty from the time of purchase of the item or bicycle, or the period stipulated as the statutory warranty in the country of purchase.

All warranty requests must be processed with Orbea through one of our authorised dealers.

These warranties cover all Shimano and Orbea products against manufacturing defects and/or failure to meet the standard and guarantee the repair or replacement of the defective product at no cost to the affected customer.

Under no circumstances does this warranty cover damage resulting from improper use, falls or accidents, incorrect installation or lack of maintenance or failure to observe the usage, storage, charging or other instructions in this manual.

The loss of capacity of the RS batteries (internal battery and Range Extender) due to natural ageing of the batteries through use, charging and storage is not covered by the warranty conditions.

## WARRANTY CLAIMS PROCESS

All warranty claims must be processed through an authorised Orbea dealer, who will perform the initial diagnosis and send Orbea, Shimano or the manufacturer of the component subject to the claim all the necessary documentation for a full diagnosis of the claim in question. The dealer will inform the owner about the status of the process and the decision made on the warranty claim by Orbea, Shimano or the manufacturer of the component in question.

### WARRANTY CLAIMS AND REPAIRS OF COMPONENTS OF THE ELECTRICAL ASSIST SYSTEM

**SHIMANO:** Warranty claims or repairs of the following electrical system components will be processed through Shimano:

- Shimano EP801 RS and EP6 RS Motors.

- Speed sensor.
- STEPS/Di2 specific cabling.
- SW-EN600-L assist level lever.
- SC-EN600 Display

**ORBEA:** Warranty claims or repairs of the following electrical system components will be processed through Orbea:

- 210 Wh Range Extender external battery. Gen2.
- Orbea Ebike System 540Wh Gen2/630 Wh Gen2/420 Wh Gen2 internal batteries.
- Harness cable for connection to the internal battery, motor and Gen 2 charging port.
- RS Gen2 Smart Charger.

We recommend that you always go to the dealer from whom you bought your bicycle to process a guarantee claim, or the dealer you chose during the process of buying a bicycle that was delivered directly to your home. If you cannot go to the original dealer, you can check the list of authorised dealers on our website or contact Orbea directly so we can let you know the dealer you should go to.

[www.orbea.com/gb-en/distribuidores/?country](http://www.orbea.com/gb-en/distribuidores/?country)

[www.orbea.com/gb-en/contact/](http://www.orbea.com/gb-en/contact/)

## 04 MAINTENANCE

Orbea products are carefully designed to be long-lasting, efficient and easy to maintain. The carbon and aluminium frames and forks are extremely corrosion-resistant.

However, your bicycle components need regular maintenance in order to ensure that it works properly and safely, and to ensure its longevity.

### KEEPING YOUR BICYCLE CLEAN

Clean your bicycle with mild soap and water on a regular basis to keep it working as new, and check the condition of the frame and its components. Do not use high pressure water, as it could damage components like bearings or the tubes of the frame.

Citrus-based degreasers are biodegradable and very effective in removing grease from the drivetrain components and the chain.



Built-up dirt can complicate the visual inspection of the components and hide damage that could potentially cause malfunctions or accidents.

#### NOTICE

Built-up dirt causes the premature wear of components and can even damage some parts of the bicycle frame such as the bearing housings and moving parts. Damage due to lack of cleaning and maintenance is not covered by the warranty.

### LUBRICATING THE DRIVETRAIN

Once you have cleaned your bicycle, lubricate the drivetrain, specifically the chain. Use the minimum amount necessary to lubricate the links, removing any excess to prevent it from attracting dirt, causing the drivetrain to not work properly and the premature wear of the components.



Do not use aerosol lubricants to prevent them from sticking to the brake surfaces. Always check the brakes after lubricating the drivetrain.

### INSPECT YOUR BICYCLE BEFORE EACH RIDE

Perform a quick inspection before each ride to verify that your bicycle is in optimal working order. You may encounter small problems that can turn into major incidents during the ride.

**FRAME:** Inspect the frame and the fork, looking for cracks or other damage. You should not hear any strange noises. If there

is any damage to the frame, do not use the bicycle and contact your authorised dealer for inspection.

**CHAIN:** Ensure it's clean and lubricated. The drivetrain should not make any abnormal noises.

**BRAKES:** Check that the brakes operate properly and safely. Check the tightening torques of the components.

**TYRES:** Check for worn tires and look for cuts on the tread or on the sides. If you spot any damage, replace the tyre. Make sure that the tyre pressure is suitable.

**WHEELS:** Make sure that the wheels turn smoothly and that there are no lateral deflections. Pull the wheel slightly sideways to check that there is no lateral play in the bearings. Check for broken or loose spokes. Make sure that the axles and quick-release skewers are tightened securely and to the correct torque.

**HEADSET:** Activate the front brake and move the front part of the bicycle back and forth, applying pressure on the handlebars with the front wheel on the ground. Check for strange noises or movement of the headset, which could indicate that the bearings are worn or the headset has not been correctly tightened. Once the headset is correctly adjusted, check that it turns smoothly.

**SWINGARM PIVOT POINTS:** On full suspension bicycles, check that all the swingarm pivot points rotate smoothly and show no signs of play in the bearings. Pull the swingarm from side to side on the bicycle and pay attention to any noise or play at the pivot points. If the swingarm does not operate smoothly or they show signs of play, this could be a sign that the tightening torques are incorrect or that the bearings are worn or damaged.

**BEARINGS:** The bearings (bottom bracket, swingarm pivot points, headset, wheels, etc.) are elements subject to wear that must be regularly inspected to ensure that they operate correctly. Bearings in poor condition can damage the components in which they are installed. Bad weather speeds up bearing wear. Bearings that have excessive play or that do not turn smoothly must be replaced immediately. If you are in any doubt, consult your authorised dealer.

#### NOTICE

Damage to components like the frame, bicycle wheels, etc. associated with a lack of maintenance and the replacement of the bearings are not covered by the warranty.

**ELECTRICAL SYSTEM:** Turn on the bike and check that the electrical system is working properly. Check that there is electrical assist and that all the components work (motor, display, assist shift and speed sensor).

If the electrical assist is not working, check all the connections between the components and their state as well that of the cables (damaged cables or components must be replaced).

Check for any faults in the electrical system. The Shimano SC-EN600 display will show the error code, if any. The SW-EN600-

L switch unit will show if there is an error in the system by a flashing red lower LED. Connect the bike to the Shimano Etube app to find out the error code.

Once the error code is known, follow the application's recommendations for the error or consult the Shimano STEPS system user manual. If the electrical system still does not work after using the described method, or if there is no method that can be used by the user, please take your bicycle to an authorised dealer for diagnosis and repair.

See the list of error codes and warnings of the Shimano STEPS system and their resolution methods at the following link:

<https://si.shimano.com/es/error>



Failure to follow the recommendations outlined in this manual and riding a bicycle that shows any of the symptoms described above may cause accidents and serious injuries.



**TIGHTENING TORQUES.** Always check the tightening torques and install the components described in this manual according to the tightening torque specifications. Follow the tightening torque specifications for components from other manufacturers installed on your Orbea bicycle. Failure to follow these specifications may lead to a malfunction of the components, accidents and even death.

## MAINTENANCE PERIODS

### NOTICE

The component maintenance periods indicated below are for reference, and depend largely on factors such as the weather conditions (adverse conditions considerably reduce the life of the components and maintenance times), cleanliness of the bicycle and its components (components with accumulated dirt wear out more quickly) and use (more demanding use of the bicycle will require shorter maintenance periods).

For components from other brands assembled on Orbea bicycles, you can check the recommended or mandatory maintenance periods on the manufacturer's website or by contacting that brand's dealer in your country.

### NOTICE

Damage to components as a result of failing to follow the recommended maintenance periods could result in damage that is not covered by Orbea's or the manufacturer's warranty.



Failure to comply with maintenance periods could result in damage to the components and lead to malfunctions and accidents.

### HEADSET:

- Inspection of its operation before every ride.
- Manual disassembly and inspection of the bearings after every 6 months of use.

### BOTTOM BRACKET:

- Inspection of its operation before every ride.
- Manual disassembly and inspection of the bearings after every 6 months of use.

### DRIVETRAIN:

- Inspection of its operation before every ride.
- Regular inspection of chain wear every 500 km. A chain that is worn beyond the manufacturer's recommendations must be replaced to prevent damage to the rest of the drivetrain components. Failure to follow the manufacturer's recommendations for wear could necessitate the replacement of the rest of the parts of the drivetrain.

### WHEELS:

- Inspection of its operation before every ride.
- Disassembly and manual inspection of the bearings and all components every 4-6 months.

### SHOCKS AND SUSPENSION FORKS:

- Inspection of its operation before every ride.
- Inspection and full maintenance every 125 hours or once a year (whichever comes first) by the manufacturer's authorised dealer.

### DROPPER SEATPOSTS:

- Inspection of its operation before every ride.
- Inspection and full maintenance every 125 hours or once a year (whichever comes first) by the manufacturer's authorised dealer.

### PIVOT POINTS ON FULL SUSPENSION FRAMES:

- Inspection of its operation before every ride.
- Disassembly of the frame and manual inspection of all bearings every 125 hours of use or once a year (whichever comes first). These times may be shorter, according to the conditions in which the bicycle is ridden. More demanding use of the bicycle or use in adverse weather or in mud requires the disassembly and inspection of the frame once every 75 hours of use or once every 6 months (whichever comes first). If a bearing does not turn smoothly or has excessive play, it must be replaced immediately.

### GEAR CABLES AND HOUSING:

- Inspection of its operation before every ride.
- Replacement of gear cables every 6 months to 1 year depending on the bicycle's usage conditions.

### BRAKES:

- Inspection of the operation and wear of the brake pads or inserts before each ride.
- Check the wear on disc brakes and the cables or hydraulic lines every 6 months to 1 year depending on the conditions under which the bicycle is used. Flush the hydraulic lines once a year.

### ELECTRICAL ASSIST SYSTEM COMPONENTS:

Regularly check the connections and cables of the electric assist system components on your bicycle. The connections must be clean and free from foreign objects. The cables must be in good condition and not have any cuts or kinks that could cause short circuits and loss of electrical assist.

The exterior of components such as remote controls and batteries must show no damage that would allow water or other items to enter.

If there is any damage at all to the electrical components, go to your Orbea dealer for diagnosis and/or replacement.

#### NOTICE

See the section of this manual on warnings on the use of the electrical assist system to find out how to correctly care for its components.

### UPDATES TO THE ELECTRICAL SYSTEM:

Ebike electrical assist systems can have improvements or updates that improve the operation of the system. Some updates to the Shimano STEPS System are done over Bluetooth® when your bicycle is connected to the Shimano Etube Project Cyclist smartphone app.

#### NOTICE

When performing a system update via Bluetooth® using the Etube Project mobile app, it is always advisable to disable the connection to mobile networks and WiFi to prevent an incoming call or message from interrupting the update. If the update is interrupted and this causes the bicycle to malfunction, take it to an authorised Orbea dealer to have the update performed using the Shimano SM-PCE02 dealer interface.

Here you can consult the Shimano Etube Project Cyclist application manual:

<https://si.shimano.com/es/um/7J4MA>

Other updates may need to be performed by an authorised dealer. Remind your dealer to check for any available updates for your bike when you bring it in for maintenance or repairs



Some of these checks and maintenance requirements go beyond the mechanical knowledge of most bicycle users. If you are not qualified to perform the necessary maintenance, always go to an Orbea dealer for the maintenance of your bicycle and its components. Failure to perform proper maintenance can result in malfunctions and accidents with serious consequences.

#### NOTICE

Incorrectly performed maintenance can damage the components, which are not covered by the warranty.

## SPARE PARTS

Always use original Orbea spare parts or those of the manufacturer of the component in question.



The use of non-original spare parts can cause damage resulting in breakdowns and accidents with severe consequences.



The installation of several of the parts shown in this technical manual is beyond the mechanical knowledge of most bicycle users. If you are not qualified to install these parts, always go to an Orbea dealer for your bicycle's maintenance. Failure to install spare parts properly can result in breakdowns, accidents and serious injuries.

#### NOTICE

The installation of non-original spare parts may cause damage to your bicycle that is not covered by the guarantee.

See the full Orbea spare parts catalogue on our web site:

[www.orbea.com/gb-en/gear/spare-parts/](http://www.orbea.com/gb-en/gear/spare-parts/)

## AFTER AN IMPACT OR A CRASH

Falling off the bicycle is inherent to cycling. If you have an accident on your Orbea bicycle, make sure you are okay and seek medical attention if necessary. If you have not suffered any injuries, you should check the condition of your bicycle before continuing.

### INSPECT THE FRAME AND THE BICYCLE COMPONENTS TO SEE IF THEY HAVE BEEN DAMAGED IN ANY WAY.

If you detect any problem, do not continue to ride the bicycle.

### POINTS TO CHECK

Inspect the frame and the fork to identify whether either of these components have been broken or bent. If you detect any damage or cracks, you must immediately stop using the bicycle. On carbon frames, look for cracks or soft spots in the carbon. If you detect any of these symptoms, you must immediately stop using the bicycle.



The materials used on carbon frames and forks are rigid and strong, but if overloaded or if they suffer an impact, the fibres do not bend, and they will break. A sufficiently strong impact on this material could result in damage that, although not visible at first glance, could lead to material failure in the future. If you have any doubts about the consequences of a fall or accident, contact your Orbea dealer for a correct diagnosis of the materials.

Check the drivetrain and the wheels to make sure that the components operate correctly. If you discover any damage to the components, stop using the bicycle immediately.

Even if you do not notice any damage, pay close attention to the sound of your bicycle when you ride it again. Breakage and other problems may cause unusual noises. If you notice any unusual noise, stop using your bicycle immediately and contact your Orbea dealer for a correct diagnosis of the problem.

#### **TAKE YOUR ORBEA BICYCLE TO AN AUTHORISED DEALER FOR A PROFESSIONAL INSPECTION**

Some of the consequences of a fall or accident can only be detected by completely disassembling the bicycle to check for cracks or other signs of deterioration.



A crash or impact can cause serious damage to your bike and its components, causing them to fail or wear out prematurely. Failures can occur suddenly and without warning, causing loss of control of the bicycle, serious injury or even death.

## 05 RISE USAGE WARNINGS

### MAXIMUM TYRE WIDTH

This technical manual specifies the maximum size of the tyres that can be fitted on the frame. Always follow these guidelines when installing tyres on your bicycle.

Check the maximum tyre measurements in the technical specifications table of this manual.

The external measurements of different tyres may vary regardless of the measurement specified by the manufacturer. Radial clearance between the outermost part of the tyre and the seat tube and the lower part of the sheaths must be at least 6 mm. Radial clearance between the outermost part of the tyre and the bottom of the fork bridge and the fork bottles must be at least 6 to 8 mm.

Also check the maximum and minimum tyre width that can be fitted on a given rim depending on its internal width. See the compatibility information in the wheel manufacturer's documentation.

#### NOTICE

Damage to the frame or components due to the use of a tyre that does not comply with these measurements is not covered by the warranty.

### MINIMUM SEATPOST INSERTION



Always follow the minimum insertion indications given for the seatpost to be used or the frame on racing bikes with Orbea exclusive seatposts.

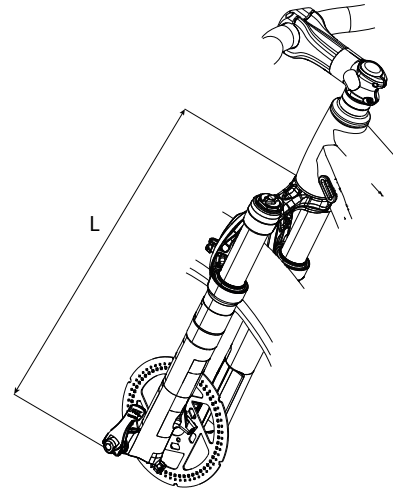
Failure to comply with these values can stress the materials beyond the range for which they were designed and cause breakages not covered by the warranty, as well as accidents that can cause serious injuries.

### MAXIMUM FORK LENGTH (AXLE-TO-CROWN)

Always follow the maximum fork length listed in the technical specifications section of this manual. The maximum fork length refers to the distance between the fork axle and the bottom part of the head tube (axle to crown).



Failure to follow this requirement and installing forks with a length greater than the maximum specified can force the frame beyond its design characteristics, possibly resulting in malfunctions of the material that could cause accidents and serious injuries.



### MAXIMUM NUMBER OF HEADSET SPACERS



Never use more headset spacers below the stem than are specified for the frame. See the specifications tables to find the maximum number of headset spacers or the maximum stack that are acceptable for use on an Orbea frame. Installing more spacers than allowed can stress the materials beyond the range for which they were designed, which can cause accidents and serious injuries.

Also see the maximum number of headset spacers allowed under the stem in the specifications table.



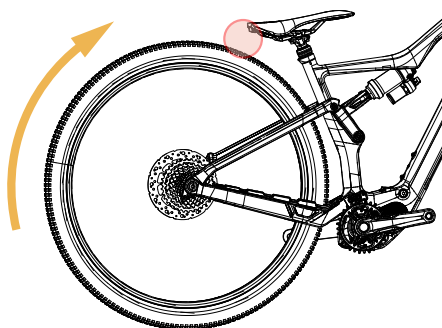
The length of the fork's steerer tube must always be suitable for the position of the stem in the fork. The stem must always be installed on the fork's steerer tube so that both fastening bolts in the rear area of the stem are positioned on the fork's steering tube. Never assemble the stem such that the top bolt securing the stem to the steering tube is higher than the top edge of the fork's steering tube. This will force the materials beyond their intended use, potentially causing accidents and serious injuries.

The distance between the top end of the fork steerer tube and the stem preload cap installation surface should be at least 3 mm to allow for proper headset preloading.

## MINIMUM DISTANCE BETWEEN THE WHEEL AND SADDLE IN MAXIMUM COMPRESSION



The minimum distance between the rear of the saddle and the rear wheel when the swingarm is in the maximum shock compression position and the seatpost is in its lowest position must be at least 25 mm. If this distance is not respected, the rear wheel may come into contact with the saddle, which can cause the rear wheel to lock, leading to accidents and serious injuries. Damage to the components due to a failure to follow this instruction is not covered by the warranty conditions.



## INTENDED USE

The intended use for all models is ASTM Condition 4, which provides for use under conditions 1, 2 and 3, as well as on technical nature trails with numerous obstacles, with higher gradients and therefore higher speeds. Frequent and moderate jumps and drops.

These models, due to the terrain, must be inspected after each use. Use on this type of terrain requires technical skills and can lead to injury for beginners.

For all ASTM categories, please refer to the user manual.



# 06 WARNINGS ON THE USE OF THE ELECTRICAL ASSIST SYSTEM

## ALWAYS FOLLOW THE RECOMMENDATIONS FOR USE OF THE ELECTRICAL COMPONENTS AND THE BATTERIES

### NOTICE

See the section “Relevant information about Orbea batteries” for more useful information about the use, care of and problem solving for the internal battery and Range Extender.



Do not use third-party systems (not Shimano or Orbea) to modify or delimit the assistance parameters of the electrical system. Doing so can damage the bicycle's components (mechanical and electrical assistance system) and cause accidents, even death. It can also create a fire risk. Modifications not authorised or covered in the manufacturer's documentation may void the guarantee coverage for all components.

- Do not wash your bike with high pressure water or soak the bike or the electrical components. All the electrical components are protected against splashes and rain. Nevertheless, the use of high pressure water can damage components and cause short circuits.
- Avoid using your bicycle in very bad weather. All the electrical components are protected against splashes and rain. However, very bad weather can damage the components.
- Avoid transporting your bicycle on the outside of your vehicle in the rain. All the electrical components are protected against splashes and rain. However, the speeds reached by your vehicle can worsen the effects of the rain on the electrical components.

If you are going to transport the bicycle outside your vehicle, remove the bicycle's Range Extender and check that the charging port cover is properly closed.

- Do not leave your bicycle or battery exposed to high temperatures for long periods of time. The high temperatures reached could damage the electrical components. Temperatures above 70°C can cause leaks and a fire hazard.
- Obey the temperature ranges for operation (discharge), charging and storing the battery (internal battery) and the Range Extender. Using, charging or storing batteries outside these temperature ranges can affect the cells and reduce their useful life and range.

- The following temperature chart shows the upper limits for using, charging, and storage provided by the cell manufacturer.

In general, **using, charging and storing batteries in temperatures below 0°C will reduce the range per charge and doing so continuously can affect the useful life of the battery.**

### TEMPERATURE RANGES

Charging	0°C–40°C
Discharging (use)	-10°C — 40°C
Storage	0°C – 35°C. Humidity 5%-65%

- Avoid storing your bicycle (internal battery) or Range Extender for long periods of time without checking the charge level of the batteries.

If you plan to store the battery for a long time, charge the battery to about 50% of its capacity before storing it and check the charge level every 3 months (re-charge it to 50%). Never let the charge level drop below 10% in order to avoid damage to the cells.

**USE OF THE BATTERY BELOW 10% CHARGE:** Avoid fully discharging the battery by continuous use below 10% charge. Charge levels below 10% can affect cell longevity and charge balancing.

- Avoid leaving the charger continuously connected to the battery for long periods of time and monitor the charging of the battery so that you can disconnect the charger if you detect any anomaly such as smoke, a burning smell or fire.

The RS smart charger is designed to stop the charging process when the battery is completely charged. This prevents damage to the cells and means you can charge the battery worry-free. However, it is always advisable to supervise the charging process to prevent damage if the charger does not operate properly.

- Avoid impacts and falls of the internal battery and the Range Extender.

If after a crash or impact the external case of the battery appears damaged, do not charge or use the battery and contact an authorised dealer for diagnosis.

- Always connect the cables the right way round. Connecting the cables without making sure they are the right way round can damage the terminals.
- Before each use, check that the charging port is properly closed to prevent dirt and water from entering the charging port.

Do not use metal tools to clean the charging port of any dirt or foreign body.

Do not damage the charging port terminals during this process.



**NOTICE**

See the section “Relevant information about Orbea batteries” for more useful information about the use, care of and problem solving for the internal battery and Range Extender.

See Shimano's documentation on the STEPS EP801/EP6 system and its components:

User manual:

<https://si.shimano.com/es/um/7K70A>

Dealer manual:

<https://si.shimano.com/es/dm/DUE001>

## MORE RELEVANT INFORMATION ON ORBEA EBIKE SYSTEM LI-ION BATTERIES



For your safety, read the entire User Manual before using Orbea Ebike System batteries and chargers.



Contact Orbea or an authorised dealer for information on installing and adjusting products not found in the User Manual. The instructions below must be followed at all times to avoid injury or damaging the equipment and the environment. The information in the following manual applies to both the internal battery and the Range Extender.

### COMPATIBILITY NOTICE. GEN2 ELECTRICAL SYSTEM COMPONENTS

Orbea Ebike Systems Gen2 components are designed to guarantee compatibility with Shimano Gen2 and EP801 motors, and Shimano EP6 components. The internal batteries and the Range Extender as well as the Smart Charger are marked with the Gen2 mark to identify their compatibility with these systems.

### BATTERY SAFETY INSTRUCTIONS AND WARNINGS

- Use only the specific Gen2 charger and use the specified charging conditions when charging the battery. Failure to do so may cause overheating, explosion or ignition of the battery.
- Do not leave the battery near heat sources such as heaters, vehicles or any hazardous location.
- Do not heat the battery or throw it into a fire.
- Do not deform, modify or disassemble the battery or apply solder directly to it.
- Do not connect the (+) and (-) terminals and other terminals with metal objects. Do not carry or store the battery with metal objects such as necklaces or hairpins. This

can cause short circuits, overheating, burns or other injuries.

- Do not immerse the battery in water and do not allow the battery terminals to get wet. Failure to do so may result in overheating, explosion or ignition of the battery.
- Do not puncture or crush the battery.
- If the battery leaks and the fluid comes into contact with the eyes, skin or clothing, immediately rinse the affected areas with abundant fresh water and seek medical attention immediately. Battery fluid can damage your eyes and skin.
- If the battery is not fully charged within the designated charging time (see the electrical system component technical specifications section) plus 2 extra hours, unplug the battery from the charger and contact an authorised dealer immediately.
- Do not use the battery if it has any external damage.
- Do not use the battery if it is leaking, discoloured, deformed or if it has any other anomaly.
- Do not charge the battery in wet or very humid places or outdoors.
- Do not plug in or unplug the battery if it is wet. Doing so can cause an electric shock. If water comes out of the socket, dry it thoroughly before plugging it in.
- Do not store the battery in direct sunlight or in excessively hot places (such as inside a car). Keep it away from heat and flames. This can cause leaks in the battery.
- Use both hands when handling the product to avoid hazards and injuries.
- If an error occurs during discharging or charging, stop using the battery immediately and refer to the User Manual. If you are unsure, please consult Orbea or an authorised dealer.
- Do not clean the battery with high pressure water.
- Do not use alcohol, solvents or abrasive cleaners to clean the battery or charger. Use a dry or slightly damp cloth.
- Children should be supervised to ensure that they do not play with the battery and charger.
- If the battery explodes, contact the fire service immediately and carefully remove other batteries if possible. Evacuate all persons from the area of the fire immediately and use plenty of cold water (at least 10 times the weight of the battery) to extinguish the fire.

### BATTERY STORAGE CONDITIONS

- Store batteries in a safe place out of reach of babies and pets.
- Storing the battery at temperatures outside this range may result in fires or damage to the battery.
- **Storage temperature range: 0°C ~35°C. Avoid large changes in temperature. Humidity: 5%-65%.**
- If you are not going to use it for a long period of time, store it with approximately 50% of the battery capacity

remaining. Charge every 3 months to 50% to avoid damaging the battery.

- Store the battery or bicycles fitted with batteries in cool, enclosed areas (approx. 0°C~35°C) in places not exposed to direct sunlight or rain. Low or high storage temperatures reduce the battery's performance and the range per charge may decrease as a result. After not using the battery for a period of time, be sure to charge it before use.
- Temperatures above 70°C can cause leaks and a fire hazard.

## BATTERY USAGE CONDITIONS

---

- The battery operating temperature ranges are listed below. Do not use the battery in temperatures outside these ranges.
- Using the battery at temperatures outside these ranges may cause fires, injuries or damage.
- **Only use the battery within the discharge temperature range: -10°C ~ 40°C.**
- **Only charge the battery within the charging temperature range: 0°C ~ 40°C.**
- The battery should be charged at room temperature, on a dry, non-flammable surface, away from any heat source, moisture or flammable materials.
- If the battery has been charged in a low temperature environment (0°C or below), less range will be available from a full charge.
- If you want to transport the battery, please note that it is considered as hazardous goods under current regulations. Use approved packaging and carriers.

## BATTERY ASSEMBLY CONDITIONS

---

- Do not use the battery immediately after receiving the battery or the bicycle. Make sure that it is fully charged before the first use.
- Always switch off the battery and/or the bicycle before inserting or removing the battery from the bicycle.

## CHARGING CONDITIONS AND SAFETY INSTRUCTIONS

---

- The battery is not fully charged at the time of purchase. Before cycling, make sure you fully charge the battery.
- Use only the original Gen2 charger to charge the battery.
- Always switch off the bicycle and/or the battery before connecting or disconnecting the charger to the charging port.
- Make sure the bicycle's charging port and plugs are always clean and dry before connecting the charger.
- Never use the charger if you suspect it is damaged or know it is broken.
- Do not dismantle or modify the battery charger.
- Always keep the charging port cover closed if you are not charging the battery.

- Do not insert metal objects into the battery charging port.
- Do not allow the battery charger to get wet and do not use the charger while it is wet. Do not carry or hold it with wet hands to avoid electric shocks.
- Do not use the charger when it is covered with a cloth or other material.
- Do not touch the metal parts of the batteries or charger to avoid electric shocks.
- Do not use the charger to charge the battery outdoors or in high humidity environments, and avoid exposure to rain or wind.
- To avoid damaging the cable, do not carry the charger by the cable and avoid wrapping the cable around the charger body when storing it.
- Do not pedal or perform any type of battery discharging operation while charging the battery.
- Always remove the Range Extender before washing the bike with water or any other type of liquid.
- for one hour if you want to charge the battery after use, as the battery temperature may be too high.
- It is advisable to charge the battery in an area with a smoke detector.
- It is not recommended to connect the battery permanently to the charger to avoid damaging the battery in the event of a malfunction of the charging cut-off circuits.

## RECYCLING

---

- Batteries, accessories and packaging should be sorted for environmentally friendly recycling.
- Lithium-ion batteries are a valuable and recyclable resource. Follow the regulations in your area for information on used batteries. If you are unsure, please consult Orbea or an authorised dealer.
- Do not dispose of the battery as household waste. It will be accepted at the point of sale and properly disposed of.

## GUARANTEE INVALIDATION CONDITIONS

---

- Charge the battery at least every 3 months to approximately 50% of its capacity, even when the bicycle is not in use.
- The guarantee does not cover products against natural wear and tear and deterioration from normal use and ageing.
- Battery life will vary depending on factors such as storage method, usage conditions, the environment and the characteristics of each battery.
- If the battery is completely discharged, charge it as soon as possible. If the battery is not charged, it may deteriorate and become unusable.
- Do not disassemble the battery or other related parts, including the label, as this may void the battery's guarantee.

- See the guarantee section of this manual for more details on the Orbea product guarantee and the guarantee claims process.

## RANGE

---

The Shimano EP600 and EP801 motors, together with Orbea Ebike system batteries, have been designed to provide the highest range available for a system of its reduced weight and small size.

The available range per charge depends strongly on various factors such as:

- **Assist mode:** Using higher assist levels will decrease the available range.
- **Assist profile:** The assist profile selected via the Shimano Etube Project app will vary the available range. Selecting assist profile 2 means increasing the power of each assist mode, so range may be affected.
- **Customisation of assist modes:** Approximate range values take into account the power values of each assist mode, according to Orbea's original settings. Customising the power delivery of each mode via the Shimano Etube Project app will affect the final battery range.
- **Temperature:** Charging and using the battery at a low temperature will decrease the range per charge.
- **Weight of the rider and gear/luggage.**
- **How hard the cyclist pedals.**
- **Terrain and slopes:** Use on broken ground and uphill will affect the range available per charge.
- Frequent stops and starts can affect the available range.

## TRANSPORTING THE BATTERIES OF ELECTRIC BICYCLES

---

The Orbea internal battery and the Range Extender external battery must be transported in compliance with the regulations in force by the means of transport permitted for these articles. The units must always be transported or shipped using the original approved packaging and an approved carrier. Find out about the handling and transport conditions of this type of item in your country.

If the Range Extender or internal battery have to be sent to Orbea for repair or diagnosis, it must be sent in its original approved packaging and a carrier qualified for batteries must be used. Orbea can provide information about your best option.

If you need the safety documentation for the Orbea batteries (MSDS) for transport, or the shipping company requests this documentation, contact Orbea and we will provide it.

## TRANSPORTING ELECTRIC BIKES

---

If you plan to travel with your electric bike, find out the conditions of carriage for batteries or battery-installed electric bikes of the airline you plan to use to transport your bike. Most commercial airlines do not allow the transport of batteries with a capacity greater than 100Wh.

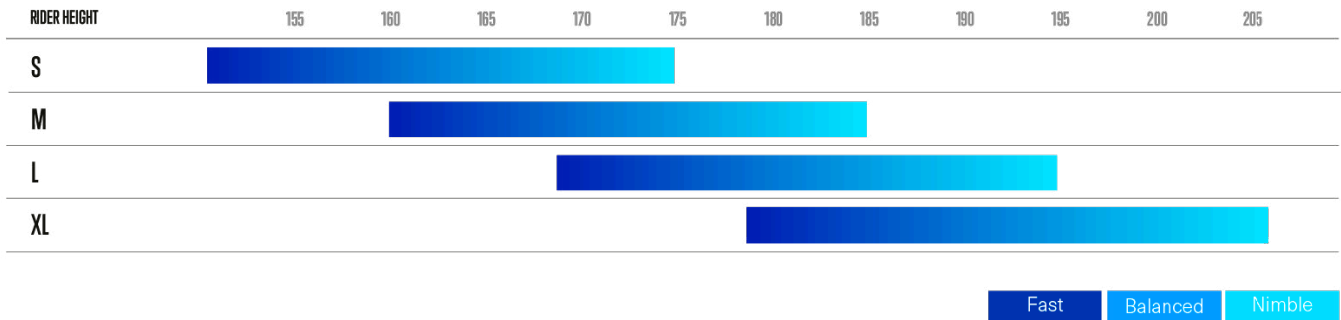
If you need the safety documentation for the Orbea batteries (MSDS) for transport, or the shipping company requests this documentation, contact Orbea and we will provide it.



## ERGONOMICS

The Steep and Deep seat tube allows the use of long-travel dropper posts on all frame sizes, giving you a wider choice of size while knowing that the seat height will always be correct (see the table of maximum and minimum heights of dropper posts in this section).

A frame with a shorter reach will be more agile and manageable, while a frame with a longer reach will be more stable at high speeds. Choose the size that best suits your needs.



\* The measurements on the sizing table are for guidance only. The best way to find the correct frame size for you is to try a bike at one of our authorised dealers.

## MAXIMUM AND MINIMUM SADDLE HEIGHTS WITH DROPPER SEATPOST

The following table gives the maximum and minimum saddle heights (in millimetres) with the dropper seatpost in the extended position for each frame size.

Maximum saddle height refers to the height of the saddle with the seatpost installed at its minimum insertion, defined by the seatpost.

Minimum height refers to the height of the saddle with the seatpost installed at its maximum insertion, defined by the frame.

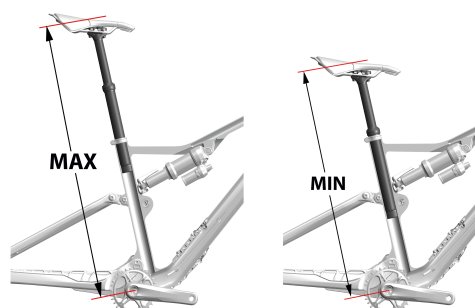
Maximum and minimum heights are only given for the dropper seatpost and saddle options assembled by Orbea for a specific frame. For these dimensions when using a different dropper seatpost, see the seatpost manufacturer's specifications and refer to the maximum frame insertion measurements in the technical specifications section of this manual.

### NOTICE

The dimensions on the following table define the distance between the centre of the bottom bracket shell and the middle of the upper part of the saddle (saddle models assembled by Orbea).

Different saddles on the market can change the dimensions given by +/-5 mm depending on the height of the saddle model. If your saddle height differs from a given dimension by less than 5 mm, it is possible to adjust this height by installing a different commercially available saddle model.

If your saddle height differs from the given dimensions by more than 5 mm, you should choose a longer or shorter travel dropper seatpost.



FRAME/SIZE

DROPPER SEATPOST MODEL	EXTENDED SADDLE HEIGHT	RISE H (S)	RISE H (M)	RISE H (L)	RISE H (XL)
OC DP-MC21 31.6x390mm 125mm Drop	Maximum seat height (mm)	760*	770*	780*	815*
	Minimum seat height (mm)	630*	640*	650*	685*
OC DP-MC21 31.6x440mm 150mm Drop	Maximum seat height (mm)	805*	820*	830*	860*
	Minimum seat height (mm)	655*	670*	675*	710*
OC DP-MC21 31.6x480mm 170mm Drop	Maximum seat height (mm)	850*	865*	870*	905*
	Minimum seat height (mm)	675*	690*	695*	730*
OC DP-MC21 31.6x550mm 200mm Drop	Maximum seat height (mm)	885*	900*	820*	940*
	Minimum seat height (mm)	720*	715*	725*	755*
OC DP-MC21 31.6x610mm 230mm Drop	Maximum seat height (mm)	900*	910*	850*	955*
	Minimum seat height (mm)	780*	775*	770*	790*
Fox Transfer SL 31.6x455mm 125mm Drop	Maximum seat height (mm)	825*	840*	850*	885*
	Minimum seat height (mm)	635*	645*	660*	690*
Fox Transfer 31.6x363mm 125mm Drop	Maximum seat height (mm)	720*	730*	740*	775*
	Minimum seat height (mm)	620*	630*	645*	675*
Fox Transfer 31.6x418mm 150mm Drop	Maximum seat height (mm)	770*	785*	795*	825*
	Minimum seat height (mm)	640*	655*	665*	700*
Fox Transfer 31.6x475mm 175mm Drop	Maximum seat height (mm)	830*	845*	850*	885*
	Minimum seat height (mm)	670*	685*	690*	725*
Fox Transfer 31.6x530,7mm 200mm Drop	Maximum seat height (mm)	835*	850*	855*	890*
	Minimum seat height (mm)	715*	710*	715*	750*
Fox Transfer 2025 31.6x411-150mm Drop	Maximum seat height (mm)	765*	775*	790*	820*
	Minimum seat height (mm)	645*	655*	670*	700*
Fox Transfer 2025 31.6x476-180mm Drop	Maximum seat height (mm)	830*	840*	855*	885*
	Minimum seat height (mm)	670*	680*	695*	730*
Fox Transfer 2025 31.6x541-210mm Drop	Maximum seat height (mm)	895*	905*	920*	950*
	Minimum seat height (mm)	735*	735*	735*	760*
Fox Transfer 2025 31.6x611-230mm Drop	Maximum seat height (mm)	965*	975*	995*	1020*
	Minimum seat height (mm)	805*	805*	785*	805*

\* The dimensions may vary by +/-5mm depending on the height of the saddle model.

## TECHNICAL SPECIFICATIONS OF THE FRAME

	RISE H SL	RISE H LT
<b>MATERIAL</b>		
Front triangle	Hydroformed aluminium Double and triple crowned	
Swingarm	Hydroformed aluminium Double and triple crowned	
Linkage	Aluminium	
Linkage yoke	Aluminium	Aluminium
<b>RECOMMENDED USE</b>	Trail, All Mountain. ASTM Condition 4	
<b>SIZES AVAILABLE</b>	S, M, L, XL	
<b>SUSPENSION SYSTEM</b>	Orbea Concentric Boost 2 Pivot	
<b>ATTITUDE ADJUST</b>	No	Yes. Low-High Flip Chip shock yoke
<b>FORK TRAVEL</b>	140 mm	160 mm
<b>MAXIMUM FORK LENGTH (AXLE-TO-CROWN)</b>	575 mm	
<b>FORK OFFSET</b>	44 mm	
<b>REAR TRAVEL</b>	140 mm	150 mm
<b>SHOCK MEASUREMENTS (EYE-TO-EYE/STROKE)</b>	Metric. 210x50 mm	Metric. 210x55 mm
<b>SHOCK HARDWARE</b>		
Front (Frame)	8x24.892 mm	
Rear (Shock yoke)	8x16.46 mm	
<b>COIL SHOCKS COMPATIBILITY</b>	Yes*	
<b>FOX FLOAT X2 SHOCK COMPATIBILITY</b>	No	
<b>RECOMMENDED SAG</b>	25-30%	
<b>HEADSET STANDARD</b>	Orbea ICR HS02 SIC (Sealed Internal Cabling) No Spinblock	
<b>HEADSET BEARINGS</b>	Upper: 1-1/2 (with adaptor 1-1/2" to 1-1/8" for internal cabling) Bottom: 1-1/2	
<b>HEADSET SPACERS</b>	HS02 exclusive See Headset and Stem sections	
<b>MAXIMUM HEADSET SPACERS</b>	Below the stem: 30 mm	
<b>BOTTOM BRACKET</b>	Shimano EP801/EP6 motor axle	
<b>CHAINLINE</b>	55 mm	
<b>WHEEL SIZE</b>	29"	
<b>MULLET COMPATIBLE</b>	No	
<b>MAXIMUM REAR TYRE SIZE</b>	29x2.5"	

	RISE H SL	RISE H LT
<b>MAXIMUM FRONT TYRE WIDTH</b>	Depends on the fork 29 x 2.5" on models specified by Orbea	
<b>DERAILLEUR HANGER</b>	Sram UDH (Universal Derailleur Hanger) Washer 30mm	
<b>SRAM T-TYPE COMPATIBLE</b>	Yes	
<b>REAR DROPOUTS STANDARD</b>	Boost 12x148 mm	
<b>REAR AXLE MEASUREMENTS</b>	12x184 mm	
<b>REAR AXLE THREAD PITCH</b>	1.0 mm	
<b>REAR AXLE THREAD LENGTH</b>	15 mm	
<b>FRONT WHEEL AXLE</b>	Depends on the fork model	
<b>SEATPOST DIAMETER</b>	31.6 mm	
<b>SEATPOST CLAMP DIAMETER</b>	34.9 mm	
<b>MAXIMUM SEATPOST INSERTION</b>	S: 295 mm M: 312 mm L: 320 mm XL: 354 mm	
<b>DROPPER SEATPOST INTERNAL CABLING COMPATIBLE</b>	Yes	
<b>FRONT DERAILLEUR</b>	No. Single chainring only	
<b>COMPATIBLE CHAINRINGS</b>	With Shimano EP8/EP801/EP6 axle spline. Chainline 55 mm	
<b>MAXIMUM CHAINRING SIZE</b>	34T	
<b>MINIMUM CHAINRING SIZE</b>	30T	
<b>COMPATIBLE WITH OVAL CHAINRING</b>	No	
<b>CHAINGUIDE</b>	Yes. Chainguide for Shimano motor E8000-EP8-EP801-EP6 Chainline 55 mm	
<b>ICGS</b>	No	
<b>COMPATIBLE CRANKS</b>	Crank for Shimano EP8/EP801/EP6 motor	
<b>Q-FACTOR</b>	(EP801-EP6) 177 mm	
<b>CRANK LENGTH</b>	165-175 mm	
<b>DRIVETRAIN COMPATIBILITY</b>	11S and 12S (1X). MTB Boost. Chainline 55mm	
<b>Di2 COMPATIBLE</b>	Yes. Shimano XT RD-M8150 Connected to the motor (see section on Connection to Etube Professional)	
<b>SRAM AXS COMPATIBLE</b>	Yes	
<b>BRAKE TYPE</b>	Disc. Post Mount**	
<b>MAXIMUM REAR BRAKE DISC SIZE</b>	203 mm	
<b>MINIMUM REAR BRAKE DISC SIZE</b>	180 mm	
<b>MAXIMUM/MINIMUM FRONT BRAKE DISC SIZE</b>	Depends on the fork model Fox 34: 180-203 mm Fox 34 AWL: 160-203 mm Fox 36: 180-230 mm Fox 36 AWL HD: 160-230 mm	



	RISE H SL	RISE H LT
	<b>SIC (Sealed Internal Cabling)</b>	
<b>CABLING</b>	<b>Rear derailleur and rear brake:</b> Internal in headset, downtube and chainstays. Full housing.	
	<b>Front brake:</b> External	
	<b>Dropper seatpost:</b> Internal in headset, downtube and seat tube. Full housing.	
	<b>Ebike system:</b> All internal cabling	
<b>COMPATIBLE REAR LEFT BRAKE CABLING</b>	Yes	
<b>BOTTLE HOLDER</b>	1. All frame sizes. 210 Wh Range Extender bracket mount or standard bottle holder	
<b>TOOLS</b>	MT-20 tool on linkage axle (optional) 6 mm Allen wheel axle cam	
<b>COMPATIBLE MOTORS</b>	Shimano EP801 RS/EP6 RS	
<b>MOTOR MOUNTING ANGLE</b>	13°	
<b>COMPATIBLE ORBEA EBIKE SYSTEM INTERNAL BATTERIES</b>	420 Wh Gen2 630 Wh Gen2	
<b>COMPATIBLE ORBEA EBIKE SYSTEM RANGE EXTENDER</b>	210 Wh Gen2	
<b>EBIKE SPEED SENSOR MAGNET INSTALLATION</b>	On rear brake disc***	
<b>POTENTIOMETER COMPATIBLE</b>	No	
<b>COMPATIBLE RACKS</b>	No	
<b>COMPATIBLE WITH FIXED MUDGUARDS</b>	No	
<b>CHILD SEAT COMPATIBLE</b>	No	
<b>TRAILER COMPATIBLE</b>	No	
<b>RECOMMENDED MAXIMUM WEIGHT (cyclist+equipment+luggage)</b>	See the document Orbea Product Maximum Recommended Weights on our website	

\* Not all spring shock on the market are compatible with the Rise frame. All the Orbea specified assemblies have been checked. For aftermarket assemblies, check the dimensions and tolerances before purchase.

\*\*Not all disc and caliper models on the market are compatible with all frames. All the Orbea specified assemblies have been checked. For aftermarket assemblies, check the dimensions and tolerances before purchase.

\*\*\*COMPATIBLE BRAKE DISCS: See the Electrical System Components section for brake disc compatibility options

## TECHNICAL SPECIFICATIONS SHIMANO EP801 AND EP600

### NOTICE

As a general rule, Shimano components mounted on the Rise 2025 marked Gen2 are not compatible with first generation components. See the compatibility information in the manufacturer's documentation [here](#).  
See the Shimano EP801/EP6 system manual [here](#). Remember that Orbea Ebike System Gen2 batteries and RS motor firmware are exclusive to Orbea.

DRIVETRAIN UNIT	SHIMANO DU-EP801 RS	SHIMANO DU-EP6-RS
RATED POWER	250 W	
VOLTAGE	36 V	
TYPE	Brushless DC	
MAXIMUM TORQUE	85 Nm	
TOP SPEED	EU: 25 Km/h US E-Bikes Class 1: 20 Mph	
WEIGHT	2.7 kg	3.0 kg
ASSIST PROFILES	2 (RS/RS+) Selectable through E Tube Project app or display Modifiable using the Etube Project app	
ASSIST LEVELS (FOR EACH PROFILE)	BASIC MODE: 3 (ECO, TRAIL, BOOST) Can be changed using the Etube Project app FINE TUNE MODE: Up to 15 (ECO, TRAIL, BOOST) Can be changed using the Etube Project app	
WALK ASSIST	Yes	
STEPS/DI2 CABLE STANDARD	EW-SD300	
LIGHTS CONNECTION	Not in Rise See the section on connecting to Etube Professional	
MOUNTING ANGLE IN RISE	13°	
ASSIST SWITCH UNIT	SHIMANO SW-EN600-L Gen2	
FUNCTIONS	Switching the bicycle on/off	
	Changing electrical assist level	
	Walk Assist activation	
	Shimano display screens navigation (assembly option)	
ASSEMBLY	Handlebar (Clamp diameter 22.2 mm)	
STEPS/DI2 CABLE STANDARD	EW-SD300	
CONNECTIVITY	Bluetooth LE (Shimano Etube Project/Shimano Ride apps) ANT Private	
SWITCHING LIGHTS ON AND OFF	Not active in Rise	
MANUFACTURER'S MANUAL	<a href="https://si.shimano.com/es/dm/SCSW002">https://si.shimano.com/es/dm/SCSW002</a>	

DISPLAY (optional)	SHIMANO SC-EN600
<b>FUNCTIONS</b>	See manufacturer's information: <a href="https://bike.shimano.com/en-EU/product/component/ep6-ep600/SC-EN600.html">https://bike.shimano.com/en-EU/product/component/ep6-ep600/SC-EN600.html</a>
<b>ASSEMBLY</b>	On handlebar (35 mm clamp) On OC MC11 stem: Specific mount
<b>STEPS/DI2 CABLE STANDARD</b>	EW-SD300
<b>MANUFACTURER'S MANUAL</b>	<a href="https://si.shimano.com/es/um/7JD0A">https://si.shimano.com/es/um/7JD0A</a>
CABLING	SHIMANO EW-SD300
<b>SENSOR</b>	EW-SS301 760 mm Mounted on left chainstay. Internal cabling
<b>MAGNET</b>	On rear brake disc.
<b>CONNECTORS</b>	EW-JC302/EWJC304 Depending on the mounting On the inside of the handlebars
<b>STEPS/DI2 CABLE STANDARD</b>	EW-SD300

## ORBEA E-BIKE SYSTEM GEN2 TECHNICAL SPECIFICATIONS

**NOTICE**

See [here](#) for the compatibility of Orbea Ebike System components with Orbea ebike models.

**ORBEA 420 Wh GEN2 INTERNAL BATTERY**

<b>VOLTAGE</b>	36 V
<b>CAPACITY</b>	420 Wh
<b>WEIGHT</b>	Approx. 1.96 kg
<b>CELLS</b>	Lithium ion. LG INR21700M58T
<b>100% CHARGING TIME (4A) With RS Smart Charger Gen2</b>	3.5 hours
<b>80% CHARGING TIME (4A) With RS Smart Charger Gen2</b>	2 hours
<b>ASSEMBLY</b>	Internal. In downtube. Not user removable.
<b>CONNECTION</b>	Cable harness to motor and charging port
<b>SEALING</b>	IPX6
<b>CERTIFICATIONS</b>	ISO13849 > ISO13849-1:2015 IEC62133 > IEC62133:2017 UN 38.3 Korea: KC XU103387-24002 US (UL) SGS 802543
<b>COMPATIBILITY</b>	Compatible with Orbea Ebike System Gen2 In systems on Orbea models with Shimano EP801/ EP6 motor. <a href="#">See compatibility table</a>



**ORBEA RS 630 Wh GEN2 INTERNAL BATTERY**

<b>VOLTAGE</b>	36 V
<b>CAPACITY</b>	630 Wh
<b>WEIGHT</b>	Approx 2,88 Kg
<b>CELLS</b>	Lithium ion. LG INR21700M58T
<b>100% CHARGING TIME (4A) With RS Smart Charger Gen2</b>	5 hours
<b>80% CHARGING TIME (4A) With RS Smart Charger Gen2</b>	3 hours
<b>ASSEMBLY</b>	Internal. In downtube. Not user removable.
<b>CONNECTION</b>	Cable harness to motor and charging port
<b>SEALING</b>	IPX6



[Continues next page >](#)

**ORBEA RS 630 Wh GEN2 INTERNAL BATTERY**

<b>CERTIFICATIONS</b>	ISO13849 > ISO13849-1:2015 IEC62133 > IEC62133:2017 UN 38.3 Korea: KC XU103387-24001 US (UL) SGS 802543
<b>COMPATIBILITY</b>	Compatible with Orbea Ebike System Gen2 In systems on Orbea models with Shimano EP801/ EP6 motor. <a href="#">See compatibility table</a>

**RS 210 Wh GEN2 RANGE EXTENDER EXTERNAL BATTERY**

<b>VOLTAGE</b>	36 V
<b>CAPACITY</b>	210 Wh
<b>WEIGHT</b>	Approx. 1.03 kg
<b>CELLS</b>	Lithium ion. LG INR21700M58T
<b>100% CHARGING TIME (2A) With RS Smart Charger Gen2</b>	3 hours
<b>80% CHARGING TIME (2A) With RS Smart Charger Gen2</b>	2 hours
<b>ASSEMBLY</b>	Specific bottle holder on downtube
<b>CONNECTION</b>	Specific Rise cable 120 mm
<b>SEALING</b>	IPX6
<b>CERTIFICATIONS</b>	ISO13849 > ISO13849-1:2015 IEC62133 > IEC62133:2017 UN 38.3 Korea: KC XU103387-24003 US (UL) SGS 802543
<b>COMPATIBILITY</b>	Compatible with Orbea Ebike System Gen2 MC systems Only Rise and Urrun from MY2025 <a href="#">See compatibility table</a>



**RS 2A-4A GEN2 SMART CHARGER**

<b>INPUT</b>	100-240V. 50-60Hz. AC
<b>OUTPUT</b>	42V 4A DC
<b>INTERNAL BATTERY CHARGING CURRENT</b>	4 A
<b>RANGE EXTENDER RS 210Wh CHARGING CURRENT</b>	2A The RS Smart Charger recognises which battery is connected and adapts the charging current.
<b>CHARGING TEMPERATURE RANGE</b>	0°C-40°C
<b>CHARGE DISPLAY</b>	Charging process and errors display LED



**RS 2A-4A GEN2 SMART CHARGER****CERTIFICATIONS**

CB: IEC60335-1, IEC60335-2-29 EC: EN60335-1, EN60335-2-29  
RCM, SAA: AS/NZS 60335.2.29  
UKCA: BS/EN60335-1, BS/EN60335-2-29  
FCC: FCC PART 15B  
IC: ICES-003-Issue 7  
CE: UKCA: EN55014-1/2, EN610003-3/2  
C-TICK: AS/NZS CISPR 14.1

**COMPATIBILITY**

Compatible with Orbea Ebike System Gen2 systems  
in Orbea models with Shimano EP801/EP6 motor from 2023 range  
[See compatibility table](#)

**ORBEA RS GEN2 CABLING****CABLE HARNESS RISE 2025**

Internal battery-charging port-motor connection  
Communication protocol: Shimano STEPS Gen2  
Sealing: IP66  
Compatibility: Rise from MY2025  
[See compatibility table](#)

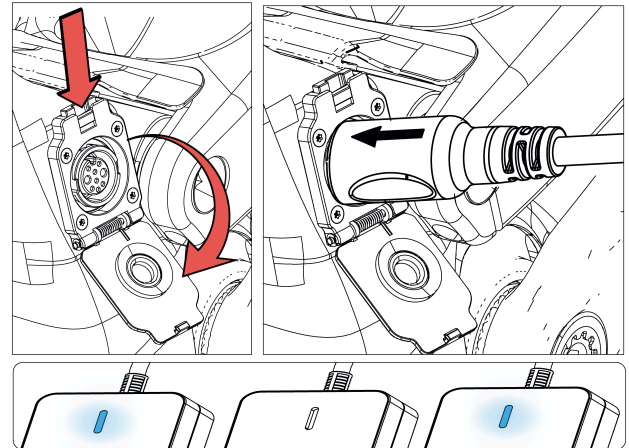
## 08 USE OF RISE

This section describes the basic operation of the Shimano STEPS EP801/EP6 system in Rise and the unique features of Orbea's EP801RS/EP6 RS system

See also the user manual for the Shimano EP801 system here: <https://si.shimano.com/es/um/7K70A>

### NOTICE

You can access all user and dealer manuals for Shimano components at: <https://si.shimano.com/es/>  
Enter the component name in the search field to access user and dealer manuals, spare parts, etc.



The bicycle cannot be switched on while the charger is connected to the charging port.

If you want to know the exact percentage of charge remaining, disconnect the charger from the charging port, turn on the bike and check the charge level on the SW-EN600-L remote control, the display or by connecting the bike to the Orbea RS Toolbox applications (Garmin) or Shimano Etube Project Cyclist (smartphones) to find the battery charge level

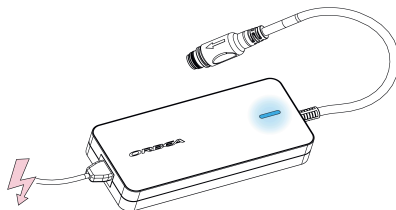
## CHARGING THE INTERNAL BATTERY

### NOTICE

Fully charge the internal battery or Range Extender before using the bicycle for the first time.

### ORBEA RS 630 WH GEN2 AND 420 WH GEN2 INTERNAL BATTERIES

To charge the internal battery, connect the charger to a power outlet. The charger LED will flash blue when the charger is not connected to the bicycle.



Open the Rise charging port cover and connect the charger by correctly aligning the connector with the charging port.

Correctly align the pins on the charger with those on the charging point to avoid damaging the components.

The charger's LED will light up in steady blue for 2 seconds and will then start to turn on and gradually fade off in a cyclical manner until the battery is fully charged.

### NOTICE

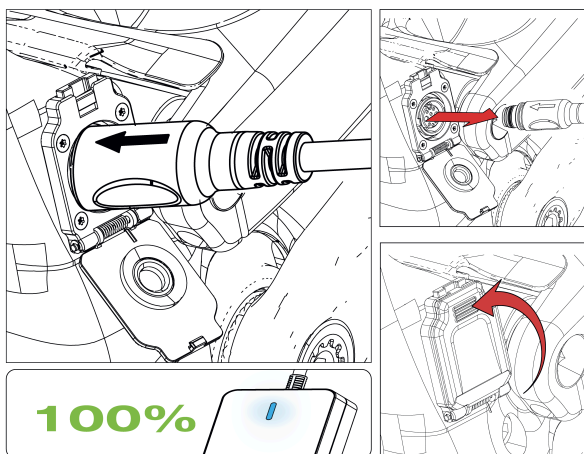
If the LED on the charger lights up in red when the charger is plugged into a socket or during charging, there is a problem.

Immediately disconnect the charger and see the charger troubleshooting section of this manual. If the problem persists, contact an authorised Orbea dealer.



When the battery is fully charged, the LED on the charger will light up again in steady blue.

Disconnect the charger from the charging port by carefully pulling on the charger connector. Make sure that the charging port cover is properly closed



**NOTICE**

Avoid keeping charge levels lower than 10% regularly  
 Avoid leaving the charger continuously connected to the battery for long periods of time and monitor the charging of the battery so that you can disconnect the charger if you detect any anomaly such as smoke, a burning smell or fire

The smart charger is designed to stop the charging process when the battery is completely charged. This prevents damage to the cells and means you can charge the battery worry-free. However, it is always advisable to supervise the charging process to prevent damage if the charger does not operate properly

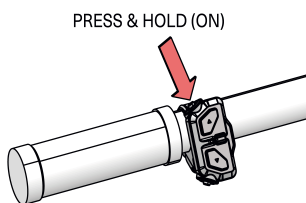
Lithium batteries are temperature-sensitive during the charging process. Always observe the temperature ranges described in this manual for charging, discharging and storage.

**210WH GEN2 RANGE EXTENDER EXTERNAL BATTERY**

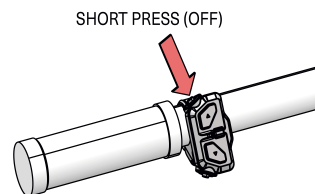
See the specific section on the Range Extender 210 Wh RS Gen2 external battery to learn about the charging process and displaying the Range Extender's charge level.

**SWITCHING RISE ON/OFF**

To turn on the bike, press the top button for 2 seconds on the Shimano SW-EN600-L remote control until the battery charge level is displayed on the upper LED.



To turn off the bike, press the top button for half a second on the Shimano SW-EN600-L remote control unit until the LEDs on the remote control turn off.



**DISPLAYING THE BATTERY CHARGE LEVEL**

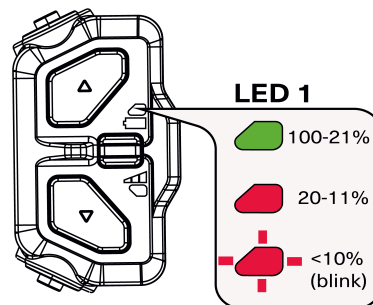
The bike's battery level can be displayed in several ways, depending on the mounting option chosen.

**NOTICE**

When a Range Extender is connected to the bicycle, the system will calculate the total capacity of both batteries (internal battery and Range Extender). The charge level shown by the methods described below shall be the remaining charge level of both batteries together, taking into account the system's total capacity. See the specific Range Extender section of this manual to find out about the behaviour of the Range Extender and the display of the overall charge level.

**SW-EN600-L REMOTE CONTROL**

With the bicycle switched on, LED 1 on the SW-EN600-L remote control will show the charge level of the battery(ies).



The manual for the SW-EN600-L remote control can be found here:

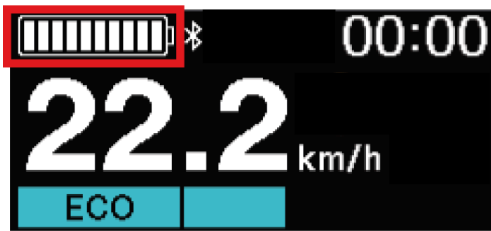
<https://si.shimano.com/es/um/ONMOA>

**SC-EN600 DISPLAY**

On assemblies with a SC-EN600 display, the charge level of the battery(ies) will be displayed on the screen.

The level of the battery(ies) is displayed at 10 levels. When the level is 10% or lower it is displayed in red.





The manual for the Shimano SC-EN600 display can be found here:

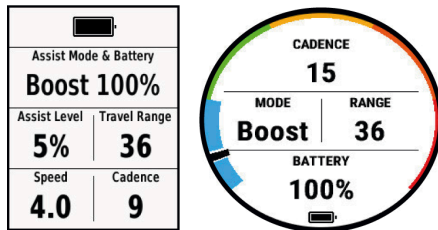
[https://si.shimano.com/es/manual/search?input\\_model=sc-en600](https://si.shimano.com/es/manual/search?input_model=sc-en600)

## COMPATIBLE GARMIN DEVICES. ORBEA RS TOOLBOX

The Orbea RS Toolbox app lets you display relevant data from Orbea bicycles with Shimano EP8/EP801/EP6 motors on your compatible Garmin device, including the charge level of the battery(ies) as a percentage

See the manual for the Orbea RS Toolbox application for Garmin devices at the following link:

[Orbea RS Toolbox user manual](#)



## ORBEA RS GEN2 BATTERIES

### • Internal battery

The internal battery has no LEDs showing the charge level. To find out the charge level of the internal battery, it must be connected to the electrical assist system so that the charge level can be checked using the methods described above.

### • 210 Wh Range Extender

Press the main button on the Range Extender battery once to check the charge level. The LEDs will light up for 5 seconds in 25% segments to show the current charge level, from right to left.

### NOTICE

See the specific section on the Range Extender 210 Wh RS Gen2 external battery to learn about the charging process and displaying the Range Extender's charge level.

## CHANGING THE ASSIST LEVEL

### SW-EN600-L REMOTE CONTROL

To change the assist mode with the SW-EN600-L lever, press the X button to increase the assist level to the maximum available (Boost).

Press the Y button to lower the assist level to the level without electrical assist.

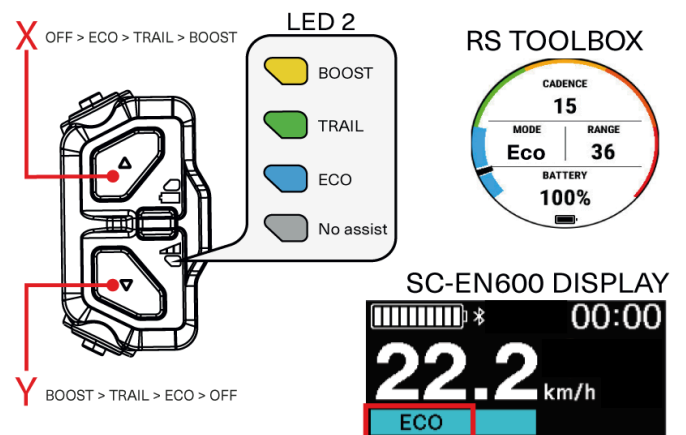
The available assist modes are:

- OFF (no electrical assist)
- ECO
- TRAIL
- BOOST

When the assist mode is changed, LED2 on the lever will change colour to show the current assist level. In assemblies with a display, the name of the current level will be shown on the display.

The Garmin Orbea RS Toolbox app will also display the selected assistance level on the screen. See the manual for the Orbea RS Toolbox application for Garmin devices at the following link:

[Orbea RS Toolbox user manual](#)

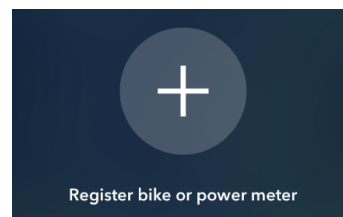
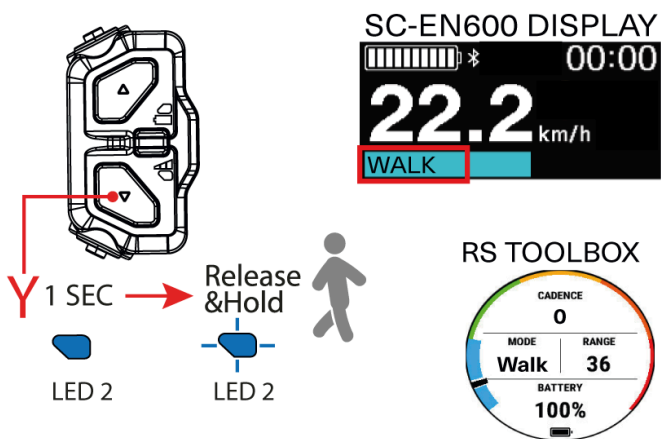


### WALK ASSIST

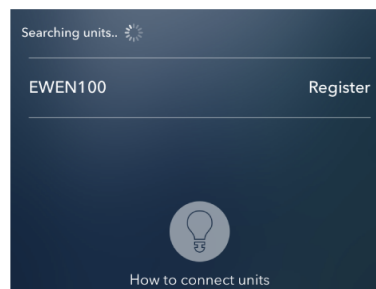
To activate the walk assist mode, press and hold the Y button on the SW-EN600-L switch unit for 1 second until LED 2 lights up blue on the remote control.

Release the Y button on the remote control and press it again to activate the walk assist. The system will keep the walk assist activated as long as you keep pressing the Y button on the remote. While the walk assist is activated, the LED on the remote control will flash blue.

To cancel the WALK mode, press the X button on the remote control.



3. **Select the unit to be paired.** If the unit is not visible on the display after a few seconds, press one of the buttons on the assist level change switch to activate the connection.



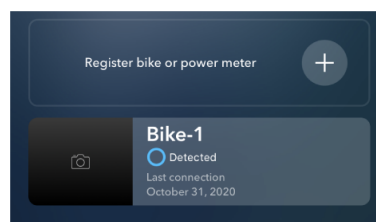
The manual for the SW-EN600-L remote control can be found here:

<https://si.shimano.com/es/manual/search?model=SW-EN600-L>

The manual for the Shimano SC-EN600 display can be found here:

[https://si.shimano.com/es/manual/search?input\\_model=sc-en600](https://si.shimano.com/es/manual/search?input_model=sc-en600)

4. **Register your bicycle in Etube Project.** You can choose a password so that only you can make changes to your bicycle. If you do not wish to change the password, continue to the next step.



5. **Select the "Assist" option in the Customise tab.**



## ASSIST PROFILES. RS/RS+

The EP801RS and EP6RS motors offer 2 assist profiles to get the most out of Rise under any circumstances.

The RS profile (profile 1) offers elastic assistance delivery in the pedalling cadence range where your body works optimally and torque up to 56 Nm for epic adventures.

The RS+ profile (profile 2) is designed for technical climbs and trails, where the pedalling cadence is lower, increasing the torque delivery up to 85 Nm.

## SELECTING THE ASSIST PROFILES

You can switch between the RS assist profile (profile 1) and the RS+ profile (profile 2) using the Shimano Etube Project Cyclist smartphone application or the SC-EN600 display (on models with this option).

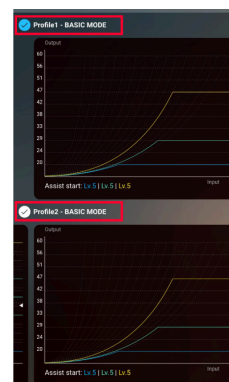
### ETUBE PROJECT CYCLIST APP



Download and install Etube Project Cyclist on your smartphone from Google Play or the Apple Store.

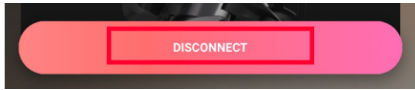
1. **Open Etube Project on your smartphone.**  
Turn on the bicycle and open the app on your phone.
2. **Select Register Ebike.**

6. **Select the profile you want to activate on the bike; Profile 1 (RS) or Profile 2 (RS+).**



7. **Select Apply to save your changes.**

8. **Disconnect the bike from the app by tapping Disconnect.** The profile selected before disconnecting will be the one active when you turn the bike back on.



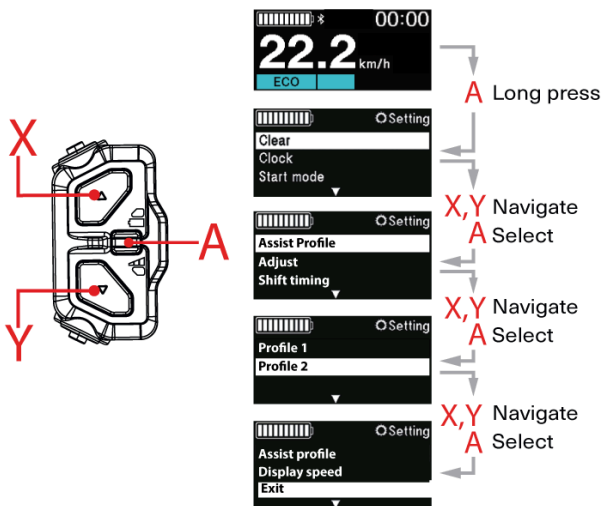
See the full manual for the Etube Project Cyclist app here:

<https://si.shimano.com/es/um/7J4MA>

### SC-EN600 DISPLAY

On models fitted with a Shimano display, you can select the assistance profile using the display.

1. **Press and hold button A on the SW-EN-600-L remote control to access the Display Settings menu.**
2. **Use the X, Y buttons on the remote control to navigate to the Assist Profile menu. Press button A to select it.**
3. **Use the X, Y buttons to choose the assist profile (Profile 1=RS, Profile 2=RS+) and select by pressing A.**
4. **Use the X, Y buttons to navigate to Exit and select by pressing A.** The selected assist profile is active on the bike.



See the complete manual for the SC-EN600 display here:

[https://si.shimano.com/es/manual/search?input\\_model=sc-en600](https://si.shimano.com/es/manual/search?input_model=sc-en600)

## CUSTOMISING THE ASSIST LEVELS

The power levels of each assist level can be modified via the Shimano Etube Project Cyclist mobile app for a more customised experience.

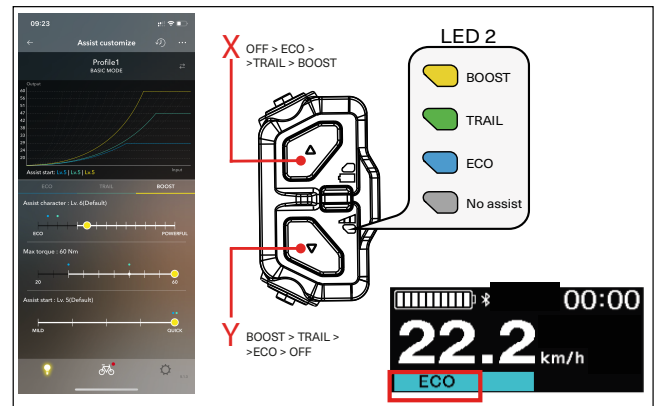
### “BASIC MODE” AND “FINE TUNE” PROFILES

Each of the 2 available assistance profiles can be activated as a BASIC or a FINE TUNE profile.

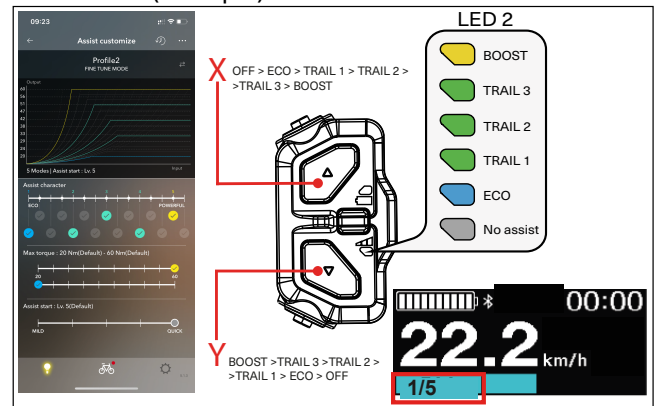
**BASIC MODE:** Within the profile there are only three assist levels that can be selected (ECO, TRAIL and BOOST). The assist and maximum torque characteristics of each level can be modified separately.

**FINE TUNE:** Up to 15 levels of assist can be selected by remote control and activated within the profile. Each level is activated within a preset assist character, and the maximum and minimum motor torque can be modified. All intermediate levels that are activated from the first two levels onwards will be visible as TRAIL on the remote control (green light on LED 2). In this mode, the chosen assist level will appear on the display (in models with a display) as its position within the range of active levels up to a maximum of 15.

### BASIC MODE



### FINE TUNE (example)



## CUSTOMISING THE ASSIST LEVELS AND PROFILE CHOICE



1. **Connect the bike to the Etube Project Cyclist app.**

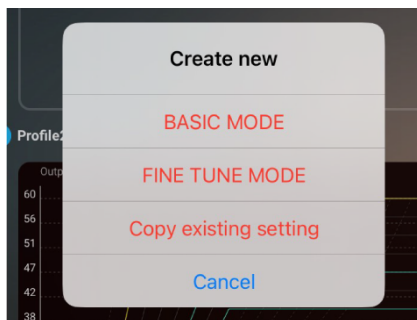
**NOTICE**

See the previous section Selecting assist profiles for the method of connecting your bike to the Shimano Etube Project Cyclist mobile app.

2. **Select the “Assist” option in the Customise tab.**

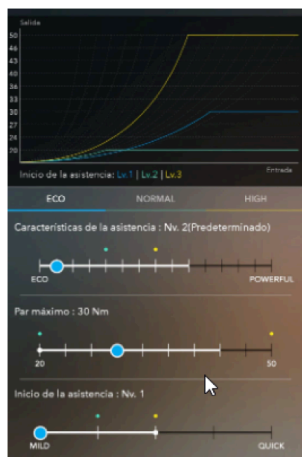


3. **Change the assist profiles between BASIC MODE and FINE TUNE** By default, both assist profiles are set to BASIC MODE, to add a FINE TUNE setting, select add a setting in one of the profiles and choose the setting.



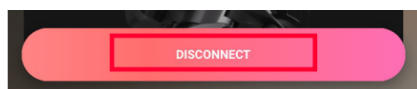
**CHANGING THE PARAMETERS OF THE ASSIST LEVELS (BASIC MODE)**

1. In BASIC MODE, choose the assist level (ECO, TRAIL, BOOST) and modify its maximum torque, character of assistance and start of assist parameters. To return to the default values, position the markers in the position on the scales with a white dot (Default).



2. Select Apply to save your changes.

Disconnect the bike from the app by tapping Disconnect.



See the full manual for the Etube Project Cyclist app here:

<https://si.shimano.com/es/um/7J4MA>

**WARNINGS/ERRORS IN THE ELECTRICAL ASSIST SYSTEM**

When an error or warning is detected in the system, LED 1 on the remote control will flash red. In assemblies with SC-EN600 displays, the error or warning code will be shown on the display.

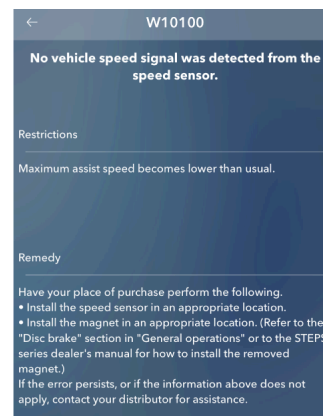
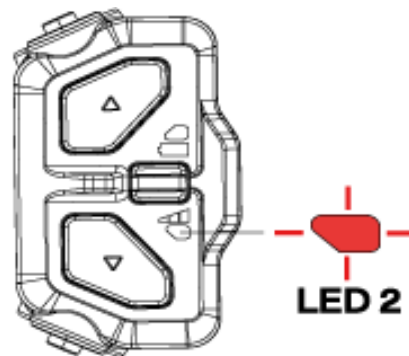
Restart the bicycle and connect it to the Shimano Etube Project Cyclist app. The identified error and its solution can be seen in the Maintenance>Error Log section.

You can also refer to the Shimano EP801/EP6 system manual for information about error codes and their solutions. See the list of error codes and warnings of the Shimano STEPS system and their resolution methods at the following link:

<https://si.shimano.com/es/error>

**NOTICE**

See how to connect the bike to the Etube Project application in the previous section, Selecting assistance profiles.



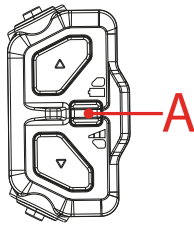
## OPERATING THE DISPLAY USING THE SW-EN600-L SWITCH UNIT

Using the SW-EN600-L remote control, you can navigate through the SC-EN600 display (in models fitted with a display). Press button A on the remote to navigate between the various display screens and access relevant bike information such as odometry, distance, rate, etc. Secondary screens can be modified using the Etube Project Cyclist mobile app.

Press and hold the A button on the remote control to access the display menu and use the X, Y and A buttons on the remote control to navigate and select options in the menu.

Assistance profiles 1 and 2 can be selected using the display (see the specific section in this manual to learn about the assistance profile selection process using the display).

See the Shimano SC-EN600 display manual here: [https://si.shimano.com/es/manual/search?input\\_model=sc-en600](https://si.shimano.com/es/manual/search?input_model=sc-en600)

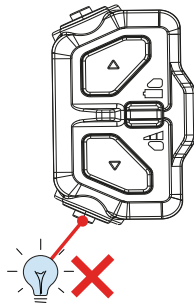


## LIGHT CONNECTIONS IN RISE

### NOTICE

Rise is not designed for connecting lights to the EP801RS/EP6RS motor, so the motor light connection ports and the lights on/off button on the SW-EN600-L remote control are disabled.

See the section on connecting to Etube Professional in this manual for more information.

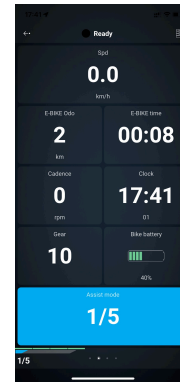


## E-TUBE RIDE APP

The Shimano Etube Ride smartphone app lets you connect the bike via Bluetooth to view relevant bike data, such as odometry, battery charge level, etc., especially in mounts without a display.

Download the app from the Apple Store or Google Play to install it on your phone.

Get more information about the Etube Rise app and the user manual here: <https://bike.shimano.com/es-ES/e-tube/ride.html>



## ORBEA RS TOOLBOX. DATA FIELD FOR GARMIN DEVICES

Orbea RS Toolbox is an application for Garmin devices that allows the connection of electric bicycles with Shimano EP8, EP801 and EP6 motors that is added to your compatible Garmin unit as a data field, and lets you view relevant information about your bicycle during your route, as well as to record this data as part of an activity in Garmin Connect for later viewing.

Download and install Orbea RS Toolbox on your compatible Garmin device from [the Garmin Connect IQ store](#).

See the Orbea RS Toolbox data field manual at the following link:

[Orbea RS Toolbox user manual](#)

## SUSPENSION ADJUSTMENT

### SUSPENSION FORK ADJUSTMENT

#### FOX 34 FORKS (RISE SL)

See the manufacturer's user manual for the suspension forks mounted on the various models.

Click on the following links to access the documentation:

[Fox main manuals page](#)

[Fox 34 Float Performance Grip 140mm fork](#)

[Fox 34 Float AWL Sport RAIL 140mm fork](#)

The following tables give approximate values. The values may vary depending on the riding style and terrain characteristics.

#### RECOMMENDED SAG ADJUSTMENT STARTING AIR PRESSURE FOR FOX 34 FLOAT PERFORMANCE AND AWL SPORT FORKS

Cyclist weight		Air pressure (psi)	
(lbs)	(kg)	34 Float Performance GRIP	34 Float AWL Sport RAIL
120-130	54-59	64	65
130-140	59-64	69	70
140-150	64-68	74	74
150-160	68-73	78	80
160-170	73-77	83	85
170-180	77-82	88	90
180-190	82-86	92	96
190-200	86-91	97	101
200-210	91-95	102	106
210-220	95-100	106	111
220-230	100-104	111	116
230-240	104-109	116	121
240-250	109-113	120	126

#### RECOMMENDED SAG MEASUREMENTS

Travel	15% SAG (Firm)	20% sag (Soft)
140 mm/ 5.5 in	21 mm/ 0.8 in	28 mm/ 1.1 in

#### RECOMMENDED REBOUND ADJUSTMENT IN FOX 34 FLOAT PERFORMANCE AND AWL SPORT FORKS

The rebound setting depends on the air pressure. The higher the air pressure, the more closed the rebound circuit should be.

Use your fork's final air pressure to find your rebound setting. Turn the rebound dial to the closed position (turn clockwise). Then count as many "clicks" as appear on the table in an anti-clockwise direction.

Cyclist weight		Rebound adjustment ("Clicks")	
(lbs)	(kg)	34 Float Performance GRIP	34 Float AWL Sport RAIL
120-130	54-59	13	10
130-140	59-64	12	9
140-150	64-68	11	9
150-160	68-73	10	8
160-170	73-77	9	8
170-180	77-82	8	7
180-190	82-86	7	7
190-200	86-91	6	6
200-210	91-95	5	5
210-220	95-100	4	3
220-230	100-104	3	2
230-240	104-109	2	1
240-250	109-113	1	1

**COMPRESSION ADJUSTMENT (34 PERFORMANCE GRIP)**

**3-Position Micro Adjustment:** The 3-position adjustment is useful for making quick adjustments and controlling fork performance in situations with variable terrain. The compression lever is used to make adjustments while using the bicycle. Turning the lever completely counterclockwise leaves the compression in Open mode. Leaving the lever in a central position leaves the fork in Medium mode. Turning the lever completely clockwise leaves the compression in Firm mode. The intermediate positions between the 3 modes can be used to adjust the compression in smaller increments. Fox recommends starting with the lever in Open mode.

**COMPRESSION ADJUSTMENT (34 AWL SPORT RAIL)**

The Fox 34 AWL Sport fork mounted on Rise SL does not have compression adjustment.

**AIR VOLUME REDUCERS**

Modifying the number of fork air volume reducers lets you further fine-tune the behaviour of the fork.

Fox 34 Float Performance fork reducer configuration		
Travel	Factory fitted reducers	Maximum No. of 10 cc reducers
140 mm	1	5

Fox 34 AWL Sport fork reducer configuration		
Travel	Factory fitted reducers	Maximum No. of reducers
140 mm	3	4

**FOX 36 FLOAT FORKS (RISE LT)**

See the manufacturer's user manual for the suspension forks mounted on the various models.

Click on the following links to access the documentation:

[Fox main manuals page](#)

[Fox 36 Float Performance Grip fork 160mm](#)

[Fox 36 Float Factory Grip X fork 160mm](#)

[Fox 36 Float AWL HD Sport RAIL fork 160mm](#)

The following tables give approximate values. The values may vary depending on the riding style and terrain characteristics.

**RECOMMENDED SAG ADJUSTMENT STARTING AIR PRESSURE FOR FOX 36 FORKS**

Cyclist weight		Air pressure (psi)	
(lbs)	(kg)	36 Float Performance GRIP/ Factory GRIP X	36 Float AWL HD Sport RAIL
120-130	54-59	66	71
130-140	59-64	70	76
140-150	64-68	74	81
150-160	68-73	78	85
160-170	73-77	82	90
170-180	77-82	86	95
180-190	82-86	89	99
190-200	86-91	94	104
200-210	91-95	99	109
210-220	95-100	105	113
220-230	100-104	109	115
230-240	104-109	113	117
240-250	109-113	117	120

**RECOMMENDED SAG MEASUREMENTS**

Travel	15% SAG (Firm)	20% sag (Soft)
160 mm/5.5 in	24 mm/0.9 in	32 mm/1.3 in

**RECOMMENDED REBOUND SETTINGS FOR FOX 36 FLOAT FORKS**

The rebound setting depends on the air pressure. The higher the air pressure, the more closed the rebound circuit should be.

Use your fork's final air pressure to find your rebound setting. Turn the rebound dial to the closed position (turn clockwise). Then count as many "clicks" as appear on the table in an anti-clockwise direction.



Cyclist weight		Rebound adjustment (“Clicks”)		
(lbs)	(kg)	36 Float Perf. GRIP	36 Float Fact. GRIP X (LSR)	36 Float AWL HD Sport RAIL
120-130	54-59	13	16	10
130-140	59-64	12	14	9
140-150	64-68	11	12	9
150-160	68-73	10	10	8
160-170	73-77	9	9	8
170-180	77-82	8	8	7
180-190	82-86	7	7	7
190-200	86-91	6	6	6
200-210	91-95	5	5	5
210-220	95-100	4	4	3
220-230	100-104	3	3	2
230-240	104-109	2	2	1
240-250	109-113	1	1	1

**ADJUSTING THE COMPRESSION (36 GRIP)**

**3-Position Micro Adjustment:** The 3-position adjustment is useful for making quick adjustments and controlling fork performance in situations with variable terrain. The compression lever is used to make adjustments while using the bicycle. Turning the lever completely counterclockwise leaves the compression in Open mode. Leaving the lever in a central position leaves the fork in Medium mode. Turning the lever completely clockwise leaves the compression in Firm mode. The intermediate positions between the 3 modes can be used to adjust the compression in smaller increments. Fox recommends starting with the lever in Open mode.

**ADJUSTING THE COMPRESSION (36 GRIP X)**

Use the settings in the following table as a starting point. Turn the compression dials to the closed position (turn fully clockwise). Then count as many "clicks" as appear on the table in an anti-clockwise direction.

From the recommended starting position, opening the compression circuit (counterclockwise) will make the fork softer, while closing it (clockwise) will make the fork firmer.

Recommended initial compression adjustment position (“Clicks”)	
<b>High Speed Compression (HSC)</b> Controls the behaviour in hard impacts, landings and square-edged obstacles.	10
<b>Low Speed Compression (LSC)</b> Controls behaviour during pedalling, weight changes, G-outs and slow shifting	10

**COMPRESSION ADJUSTMENT (36 AWL HD SPORT RAIL)**

The Fox 34 AWL Sport fork mounted on Rise SL does not have compression adjustment.

**AIR VOLUME REDUCERS:**

Modifying the number of fork air volume reducers lets you further fine-tune the behaviour of the fork.

Fox 36 Float fork reducer configuration		
Travel	Factory fitted reducers	Maximum No. of 10 cc reducers
160 mm	2	6

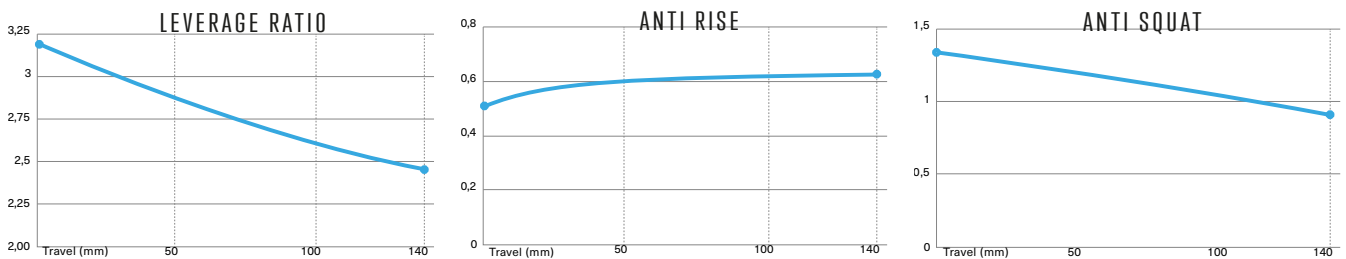
  

Fox 36 AWL HD Sport fork reducer configuration		
Travel	Factory fitted reducers	Maximum No. of reducers
140 mm	3	6

## ADJUSTING SHOCKS

### ADJUSTING RISE SL SHOCKS

#### SUSPENSION KINEMATIC CURVES FOR RISE SL



See the manufacturer's user manual for the shocks mounted on the various models.

Click on the following links to access the documentation:

[Fox main manuals page](#)

[2025 Fox Float Performance](#)

#### FOX FLOAT SHOCKS SPECIFICATIONS ON RISE SL

FOX FLOAT PERFORMANCE 210x50	2025, FLOAT, P-S, A, 2pos, Evol LV, Orbea, Rise SL, 210, 50, 0.6 Spacer, CM1.1, SCLRM5, CML
------------------------------	---

#### FOX FLOAT SHOCKS ON RISE SL AIR PRESSURE ADJUSTMENT SUGGESTIONS

Adjust the shock absorber air pressure until you reach the target SAG. Always measure SAG with the compression adjustment dial in the Open position.

The following tables give approximate values, they may vary depending on the riding style and terrain conditions.

Recommended SAG measurement	<b>25–30%</b>
Equivalent in mm of 25% SAG on 210x50 shock	13 mm.
Equivalent in mm of 30% SAG on 210x50 shock	15 mm.

Adjust the shock absorber air pressure until you reach the target SAG. A 25% SAG will give you a firm feel with more support, while a 30% SAG will give you a softer ride.

### FOX FLOAT SHOCKS ON RISE SL REBOUND ADJUSTMENT SUGGESTIONS

Once you've reached your desired sag, adjust the rebound according to the air pressure in the shock.

Use your shock's final air pressure to find your rebound setting. Turn the rebound or compression dial to the closed position (turn fully clockwise). Then count as many "clicks" anti-clockwise as appear below.

Air pressure (psi)	Recommended rebound setting (clicks)
< 100	10
100-120	10
120-140	9
140-160	8
160-180	7
180-200	6
200-220	5
220-240	4
240-260	3
260-280	2
280-300	1

### COMPRESSION ADJUSTMENT ON FOX FLOAT SHOCKS ON RISE SL

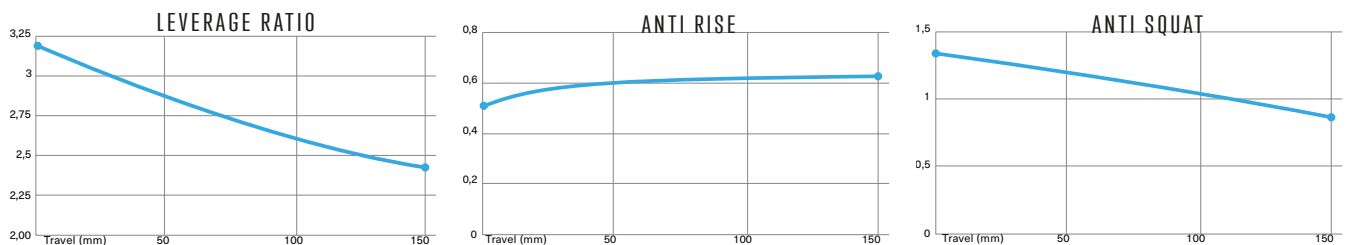
**2 position lever:** The 2-position lever is useful for making adjustments on the fly to control the behaviour of the shock for significant changes in terrain. You can use Open mode during technical descents and Firm mode for fairly uniform climbs. Fox recommends starting in the open position.

### INNER AIR VOLUME REDUCERS ON FOX FLOAT SHOCKS

You can adjust the progressiveness of your shock's air chamber with volume reducers, which can be purchased at an authorised Fox dealer.

## ADJUSTING RISE LT SHOCKS

### SUSPENSION KINEMATIC CURVES FOR RISE LT



See the manufacturer's user manual for the shocks mounted on the various models.

Click on the following links to access the documentation:

[Fox main manuals page](#)

[2025 Fox Float Performance/Factory](#)

[2025 Fox Float X Performance/Factory](#)

2025 Fox DHX Factory

**FOX FLOAT SHOCKS SPECIFICATIONS ON RISE LT**

FOX FLOAT PERFORMANCE 210x55	2025, FLOAT, P-S, A, 2pos, Evol LV, Orbea, Rise LT, 210, 55, 0.6 Spacer, CM1.1, SCLRM5, CML.
FOX FLOAT X PERFORMANCE 210x55	2025, FLOAT X, P-S, A, 2pos, Evol LV, Orbea, Rise LT, 210, 55, 0.5 Spacer, CS30, RL60, LML, Rezi B40
FOX FLOAT X FACTORY 210x55	2025, FLOAT X, F-S, K, 2pos-Adj, Evol LV, Orbea, Rise LT, 210, 55, 0.5 Spacer, CS30, RL60, LML, Rezi B40
FOX DHX FACTORY 210x55	2025, DHX, F-S, Cr, 2pos-Adj, Orbea, Rise LT, 210, 55, 400lbs/in, SLS, CS40, RL60, LMM, Rezi B60

**FOX FLOAT/FLOAT X SHOCK AIR PRESSURE ADJUSTMENT SUGGESTIONS**

Adjust the shock absorber air pressure until you reach the target SAG. Always measure SAG with the compression adjustment dial in the Open position.

The following tables give approximate values, they may vary depending on the riding style and terrain conditions.

<b>Recommended SAG measurement</b>	<b>25–30%</b>
Equivalent in mm of SAG 25% in 210x55 shock	14 mm.
Equivalent in mm of SAG 30% in 210x55 shock	17 mm.

Adjust the shock absorber air pressure until you reach the target SAG. A 25% SAG will give you a firm feel with more support, while a 30% SAG will give you a softer ride.

**FOX FLOAT Y AND FLOAT X SHOCKS ON RISE LT REBOUND ADJUSTMENT SUGGESTIONS**

Once you've reached your desired sag, adjust the rebound according to the air pressure in the shock.

Use your shock's final air pressure to find your rebound setting. Turn the rebound or compression dial to the closed position (turn fully clockwise). Then count as many "clicks" anti-clockwise as appear below.

Air pressure (psi)	Recommended rebound setting (clicks)
< 100	10
100–120	10
120–140	9
140–160	8
160–180	7
180–200	6
200–220	5
220–240	4
240–260	3
260–280	2
280–300	1

## COMPRESSION ADJUSTMENT ON FOX FLOAT SHOCKS ON RISE LT

**2 position lever:** The 2-position lever is useful for making adjustments on the fly to control the behaviour of the shock for significant changes in terrain. You can use Open mode during technical descents and Firm mode for fairly uniform climbs. Fox recommends starting in the open position.

**Adjusting the Open mode (Factory Float):** This setting is useful for regulating shock during rider weight changes, g-outs, and gradual terrain changes. Lift the Open mode adjustment dial, place it in one of the available positions (1, 2, 3), and press the adjustment dial to fix the position setting. Fox recommends starting in position 1.

## FOX FLOAT X SHOCKS COMPRESSION ADJUSTMENT

**2 position lever:** The 2-position lever is useful for making adjustments on the fly to control the behaviour of the shock for significant changes in terrain. You can use Open mode during technical descents and Firm mode for fairly uniform climbs. Fox recommends starting in the open position. The Open position uses the LSC (Low Speed Compression) dial settings.

**LSC (LOW SPEED COMPRESSION):** The LSC dial allows for low speed compression adjustments. Turn the dial clockwise to increase compression and anti-clockwise to decrease compression. Fox recommends starting with the dial in the Open position (dial turned fully clockwise).

LSC compression adjustments will only take effect when the 2-position compression lever is in the Open position.

## INNER AIR VOLUME REDUCERS ON FOX FLOAT X SHOCKS

You can adjust the progressiveness of your shock's air chamber with volume reducers, which can be purchased at an authorised Fox dealer.

Size	Factory fitted reducers volume	Maximum reducers volume
210x55	0.5	1.0

## DHX SHOCK PRELOAD ADJUSTMENT SUGGESTIONS

The following tables give approximate values, they may vary depending on the riding style and terrain conditions.

<b>Recommended SAG measurement</b>	<b>30%</b>
Equivalent in mm of SAG 30% in 210x55 shock	16.5 mm.

## FOX DHX SHOCKS COMPRESSION ADJUSTMENT

**2 position lever:** The 2-position lever is useful for making adjustments on the fly to control the behaviour of the shock for significant changes in terrain. You can use Open mode during technical descents and Firm mode for fairly uniform climbs. Fox recommends starting in the open position. The Open position uses the LSC (Low Speed Compression) dial settings.

**LSC (LOW SPEED COMPRESSION):** The LSC dial allows for low speed compression adjustments. Turn the dial clockwise to increase compression and anti-clockwise to decrease compression. Fox recommends starting with the dial in the Open position (dial turned fully clockwise).

LSC compression adjustments will only take effect when the 2-position compression lever is in the Open position.

## FOX DHX SHOCKS REBOUND ADJUSTMENT

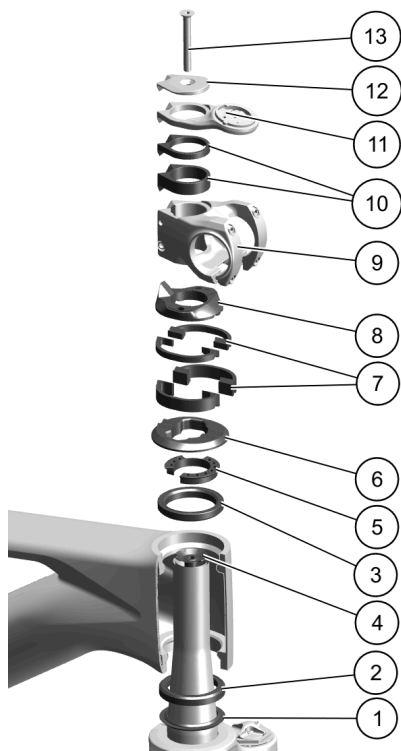
The rebound dial controls how quickly the shock extends after being compressed. Turning the rebound dial clockwise slows shock extension, while turning it counterclockwise speeds it up. Fox recommends starting with the dial in the middle position.

# 09 HS02 HEADSET

## NOTICE

This section gives the specifics of mounting the ICR HS02 headset on Rise. For an overview of this Orbea headset standard, as well as assembly instructions, accessories, etc., see the specific manual [Orbea ICR Headset Standards](#) on our website: **(Support > Manuals > Technologies)**.

## HS02 HEADSET ELEMENTS ON RISE HYDRO



1. 1-1/2" Fork crown race
2. 1-1/2" lower bearing
3. 1-1/2" top bearing
4. Aluminium fork tube star nut
5. HS02-01 Compression ring
6. HS02-14 frame headset cap
7. 5/10 mm split HS02-03/04 headset spacers
8. SIC Regular Stack HS02-05 manifold
9. OC Mountain Control headset  
(see Stems section of this manual)
10. 5/10 mm headset HS02-07/08 spacers
11. OC CM-05  
GPS Support (see specific section of this manual)
12. MC HS02-31 Stem cap
13. Headset preload bolt

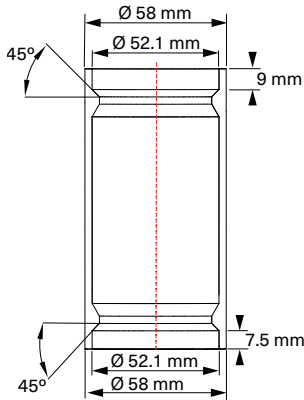
## NOTICE

See the spare parts section of this manual to find the part references.



## HSO2 HEADSET SPECIFICATIONS IN RISE

### HEAD TUBE DIMENSIONS

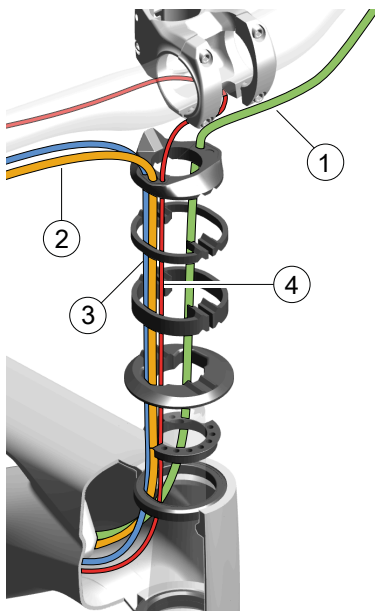


### HEADSET SPECIFICATIONS. RISE 2025

	TOP	BOTTOM
<b>TYPE</b>	1-1/8" Integrated 1-1/2" bearing with SIC 1-1/8" adapter	1-1/2" Integrated
<b>ID*</b>	52.1 mm	52.1 mm
<b>OD**</b>	58 mm	58 mm
<b>Race angle</b>	45°	45°
<b>Compression ring/fork race angle</b>	45°	45°
<b>SHIS CODE</b>	IS52/40	IS52/40
<b>Bearing dimensions</b>	Angular contact bearing 52x40x7mm	Angular contact bearing 52x40x7mm
<b>"LOW STACK" COLLECTOR OPTION</b>	No	—
<b>SPINBLOCK FUNCTION</b> (Rotation limiter)	No	—

\* ID: Head tube internal diameter.  
\*\* OD: Head tube outer diameter.

## CABLE ROUTING IN HSO2 HEADSET IN RISE

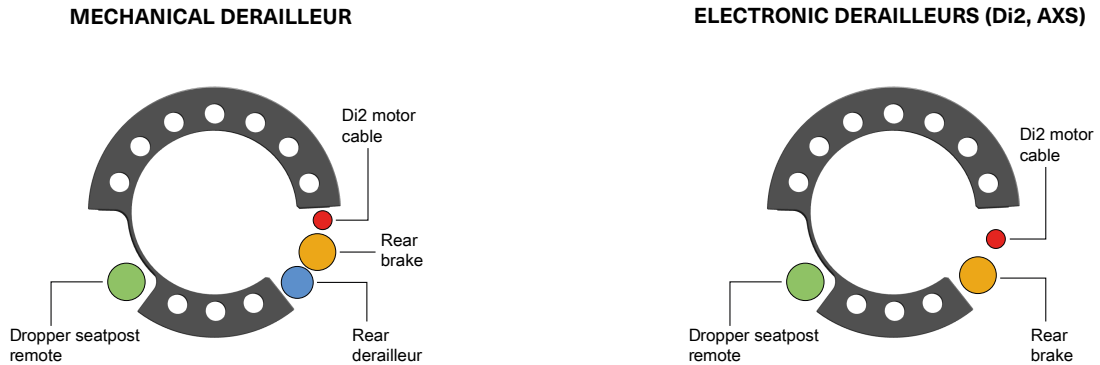


1. Dropper seatpost remote
2. Rear brake\*
3. Rear derailleur (mechanical)
4. Di2 motor cable\*\*

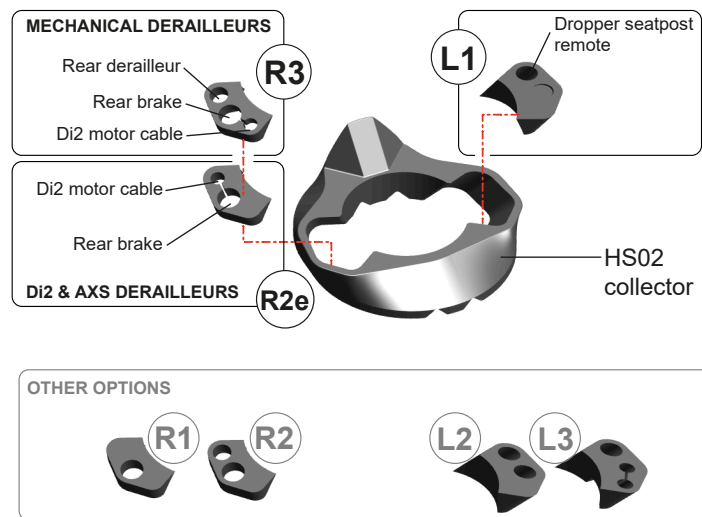
\*In assemblies with left rear brake, the brake line enters the headset on the right side of the manifold.

\*\*See the electrical system section of this manual for more detail on cabling Shimano components through the stem and handlebars.

## POSITION OF CABLES IN THE HEADSET COMPRESSION RING



## SIC SEALS FOR CABLE ENTRY TO THE HS02 MANIFOLD



See the [Orbea ICR Headset Standards](#) manual on our website for more details on the SIC seal options not used in standard assemblies.

## MOUNTING THE HS02 HEADSET

### NOTICE

The position of cables in the headset and the specific components for mounting them on Rise are given in the previous sections of this technical manual.

### NOTICE

This is a general HS02 headset assembly guide.

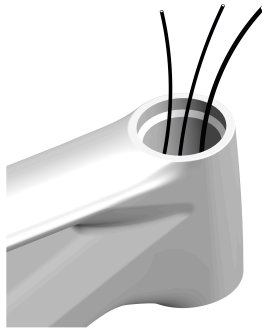
Installation of the HS02 headset involves installing the brake and derailleur lines to the levers and possibly bleeding hydraulic brake lines. If, as a user, you do not have the necessary mechanical knowledge to carry out these operations to guarantee safe installation, take your bike to an authorised dealer to carry out the installation. Damage to components caused by incorrect installation is not covered under the warranty terms.



Improper installation of the headset and/or brake and derailleur lines can cause accidents and serious injuries, including death.



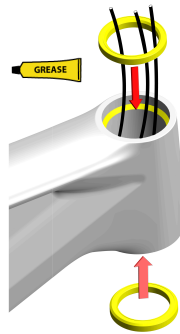
1



1. Route the rear brake, dropper seatpost, shock absorber and derailleur lines (if using mechanical drivetrains) and bring them out through the top of the head tube.

The parts cabled through the headset vary according to the specific assembly. See the previous sections of this manual for details of the components cabled through the HS02 headset.

2



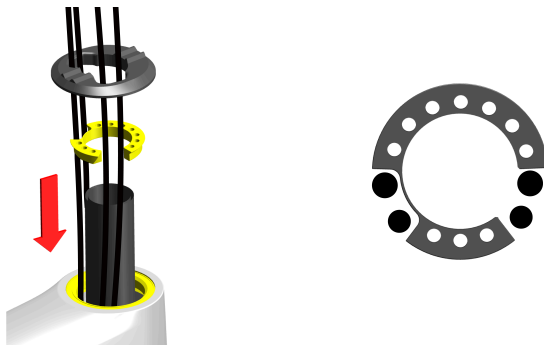
2. Apply and spread assembly grease to the frame housings and upper and lower head tube bearings and install them into the frame, guiding the brake and derailleur lines through them.

3



3. Insert the fork. With the lower crown race already installed, in the steerer tube and having previously installed the starnut (or the expander in forks with carbon steerer tube) of fixing the stem preload screw in the fork steerer tube.

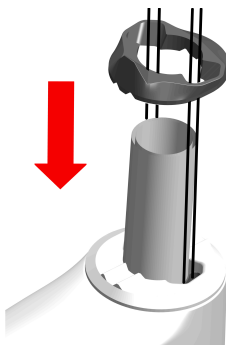
4



4. Install the compression ring by routing the brake lines and derailleur sheaths, etc. through the cabling channels and directing them toward their mounting location on the handlebar. Next, install the headset cap.

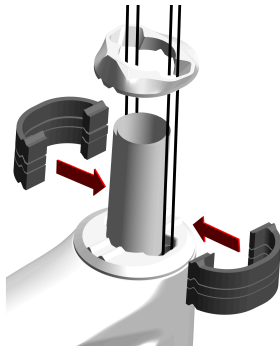
The parts cabled through the headset vary according to the specific assembly. See the previous sections of this manual for details of the components cabled through the HS02 headset.

5



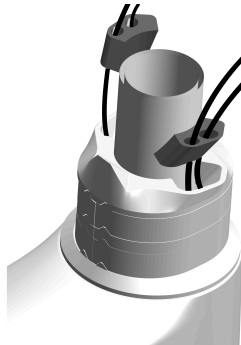
5. Fit the SIC manifold. If using specific OC stems, the HS02-05 manifold with a specific profile must be fitted. To install standard stems, the HS02-06 universal manifold must be used (see the spare parts section of this manual).

6



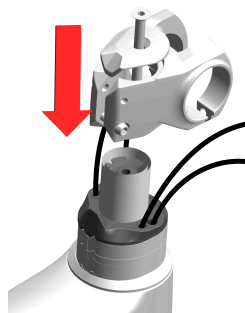
6. Install as many 5 or 10 mm Split HS02 spacers as necessary (see the maximum allowed height of headset spacers below the stem for your bike model in the technical specifications table).

7



7. Install the specific cabling grommets for your bicycle assembly (See HS02 headset cabling section).

8



8. Install the HS02 headset compatible OC stem. See the stem section of this manual for specific installation instructions for each OC stem model.

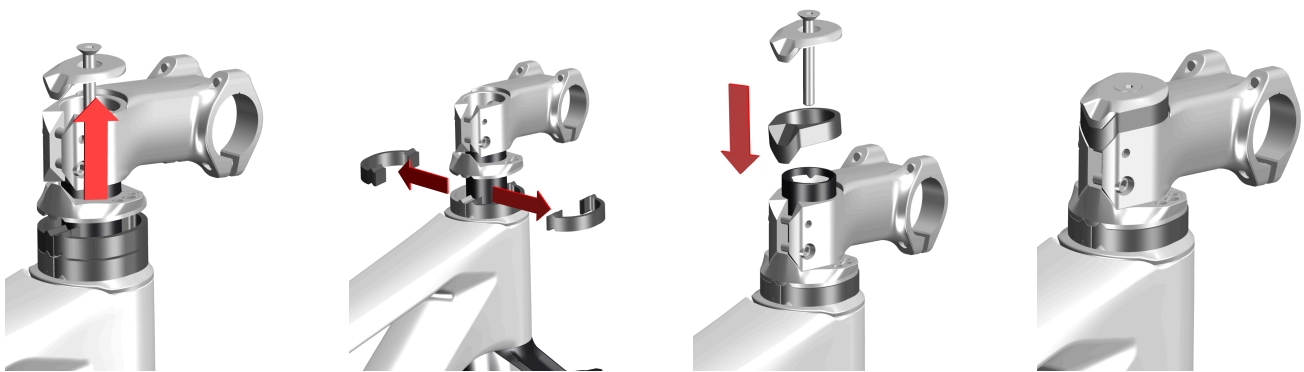
## ADDING AND REMOVING HEADSET SPACERS.

In HS02 headset assemblies it is possible to adjust the height of the stem by adding or removing headset spacers. The 5 and 10 mm HS02-03 and 04 spacers are made of two halves that let you remove or install them without interfering with the cabling.

When removing headset spacers from below the stem, if the fork steerer tube is not cut to fit the new stem position, it is necessary to install as many millimetres of headset spacers above the stem as were removed from below the stem. The HS02 OC stems have specific spacers for installation on top of the stem, these are the HS02-07 and 08 headset spacers

### NOTICE

When removing headset spacers from below the stem, if the fork steerer tube is not cut to fit the new stem position, it is necessary to install as many millimetres of headset spacers above the stem as were removed from below the stem. The HS02 OC stems have specific spacers for installation on top of the stem, these are the HS02-07 and 08 headset spacers.

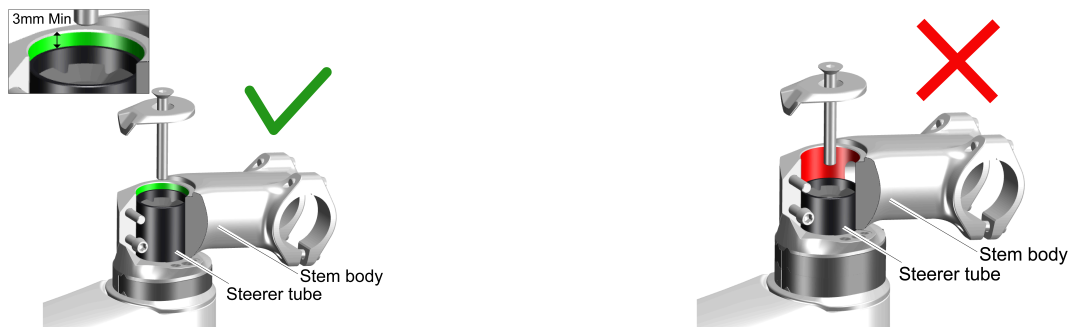


### Maximum number of headset spacers.

Check the maximum number of headset spacers that your Orbea model with HS02 headset supports. Do not install more spacers than specified for the model.

When installing spacers, make sure that the length of the fork steerer tube is sufficient to allow the correct and safe mounting of the stem and that the length of the cables allows it. The top edge of the fork tube should be above the top clamping bolt on the stem. When installing headset spacers above the stem, the upper edge of the fork steerer tube should be as close as possible to the upper edge of the highest headset spacer, but still allowing the correct installation of the stem top cap to correctly preload the headset.

The distance between the top end of the fork steerer tube and the stem preload cap installation surface should be at least 3 mm to allow for proper headset preloading.



### NOTICE

To remove or add headset spacers you need to loosen and reinstall the stem. Refer to the assembly instructions and tightening torques for the OC stems in the specific manual for OC MTB stems.

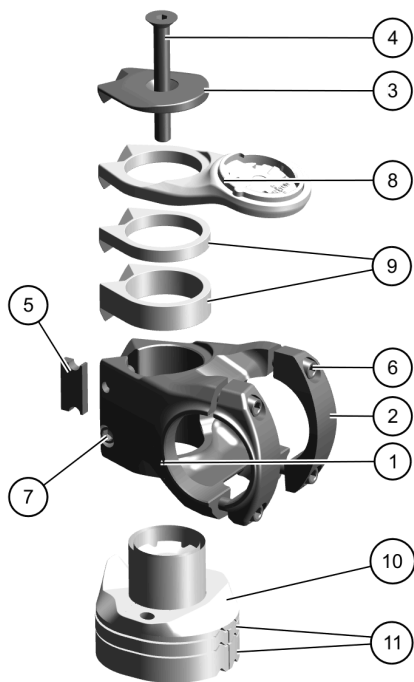


### Use of starnut or expander in the fork steerer tube

To fix the stem preload bolt, you must install an expander or starnut inside the fork steerer tube. Use only an expander for forks with carbon steerer tubes and a starnut for forks with aluminium steerer tubes. The use of components other than those indicated for each specific installation can cause damage to the materials that could cause breakage or accidents. Damage to materials due to the use of incorrect components is not covered under the warranty terms.

# 10 STEMS

## OC ST-MC10 / ST-MC20 STEMS. ELEMENTS



1. Body of the stem
2. Faceplate
3. MC stem cap
4. Headset preload screw
5. Fork clamp tightening stop
6. Faceplate bolts
7. Fork clamp bolts
8. OC CM-05 GPS mount\*
9. 5/10 mm HS02-07/08 headset spacers\*\*
10. SIC manifold
11. 5/10 mm split HS02-03/04 headset spacers\*\*

\*See GPS mount section of this manual

\*\*See [Headset](#) section of this manual

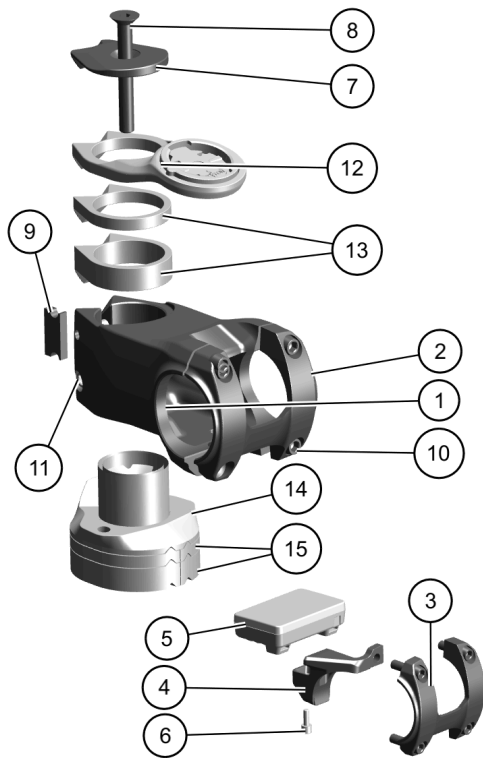
### NOTICE

See the spare parts section of this manual to find the part references.



## OC ST-MC11 STEM. ELEMENTS

The OC MC11 stem is not fitted as standard and is not an option when purchasing a Rise Hydro, but it is compatible with the frame and can be purchased as an aftermarket component from the Orbea website.



1. Body of the stem
2. Standard faceplate  
(assemblies without Shimano display mount)
3. D-EN600 faceplate  
(assemblies with Shimano SC-EN600 display mount)
4. Shimano SC-EN600 display mount  
(with specific faceplate)
5. Shimano SC-EN600 display
6. Shimano SC-EN600 display bolt
7. MC stem cap
8. Headset preload screw
9. Fork clamp tightening stop
10. Faceplate bolts
11. Fork clamp bolts
12. OC CM-05 GPS mount\*
13. 5/10 mm HS02-07/08 headset spacers\*\*
14. SIC manifold
15. 5/10 mm split HS02-03/04 headset spacers\*\*

\*See GPS mount section of this manual

\*\*See [Headset](#) section of this manual

### NOTICE

The D-EN600 faceplate (3) and the SC-EN600 display mount (4) are not compatible with installation in OC ST-MC-10 and 20 stems. The faceplate and the display mount must be used together, it is not possible to install the display mount together with the standard faceplate of the ST-MC11 stem.

See the spare parts section of this manual to find the part references.

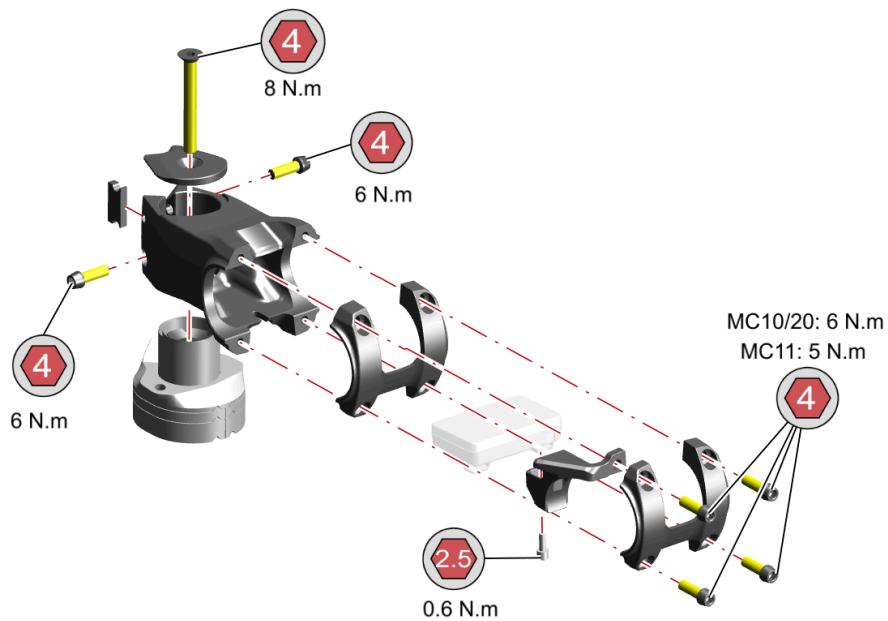
## OC MC10/MC11/MC20 STEMS. TECHNICAL SPECIFICATIONS

<b>OC RANGE</b>	Mountain Control
<b>MATERIAL</b>	CNC Aluminium
<b>ORBEA HEADSET STANDARD</b>	HS02 and standard 1-1/8" headset with HS02-17 cap
<b>Ø FORK</b>	1" 1/8
<b>Ø HANDLEBARS</b>	35 mm
<b>CLAMPING HEIGHT IN FORK TUBE</b>	40 mm
<b>TILT (ANGLE)</b>	0°

Continues next page >

<b>AVAILABLE LENGTHS</b>	MC10/MC20: 35, 40, 50 mm MC11: 35, 40, 50, 60 mm
<b>CABLING</b>	Internal routing only compatible with electronic cabling.
<b>COMPATIBLE WITH SPINBLOCK FUNCTION</b>	Yes. Only on frames with Spinblock function
<b>COMPATIBLE WITH SIC SYSTEM</b>	Yes. Only on frames with HS02 headset
<b>WEIGHT</b>	ST-MC10: 150 g (40 mm)
	ST-MC20: 160 g (40 mm)
	ST-MC11: 192 g (40 mm)
<b>STEM COVER</b>	HS02-31 (MC10/20/11) specific cap
<b>COMPATIBLE HEADSET SPACERS</b>	Orbea frames with HS02 headset: Below the stem: Spinblock HS02-03/04 split spacers (5 and 10 mm). Below SIC HS02 collector Above the stem: Spinblock HS02-07/08 round spacers (5 and 10 mm)
	Frames with 1-1/8" headset Above and below the stem: Spinblock HS02-07/08 round spacers (5 and 10 mm)
<b>CYCLE COMPUTER MOUNT</b>	OC CM-05. Above the stem. (5 mm)

## OC ST-MC10, ST-MC20 AND ST-MC11. ASSEMBLY COMPOUNDS AND TIGHTENING TORQUES



COL-OUR	TYPE OF COMPOUND	DESCRIPTION
	LUBRICATION	GREASE: Assembly grease to avoid creaking and seizing. Compatible with carbon and aluminium surfaces.

**NOTICE**  
 The D-EN600 faceplate and the SC-EN600 display mount of the ST-MC11 stem are not compatible with installation in OC ST-MC-10 and 20 stems. The faceplate and the display mount must be used together, it is not possible to install the display mount together with the standard faceplate of the ST-MC11 stem.

## FITTING OC MOUNTAIN CONTROL STEMS

### NOTICE

See the HS02 headset installation section in this manual to find the correct cable routing through the headset.

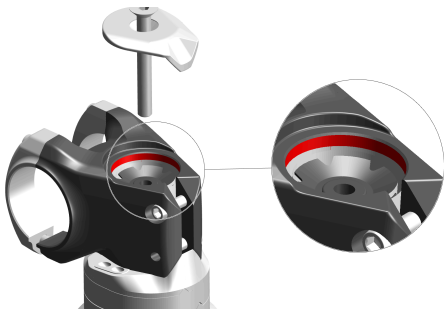
### NOTICE

This is a general fitting guide for OC MC (Mountain Control) stems. See the specific section for your stem model to find the specific tightening torques and their components.

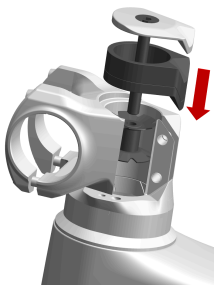
1



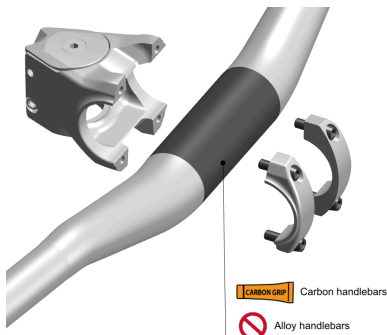
2



3



4



1. The MC (Mountain Control) stems have a stop in the area where the stem is attached to ensure that the recommended torque is not exceeded. Check the correct installation of the stop when mounting the stem. This stop is not essential, if you do not have it, be sure to follow the tightening torque instructions for the stem bolts for each OC stem model.

2. With the HS02 headset already installed on the bike (see headset installation section), insert the MC stem into the fork tube, fitting its rear profile with that of the specific HS02-05 collector. Check that the fork tube is positioned above the upper stem clamp bolt. The distance between the top end of the fork steerer tube and the stem preload cap installation surface should be at least 3 mm to allow for proper headset preloading.

3. It is possible to install HS02-07 (5 mm) or HS02-08 (10 mm) one-piece profiled spacers above the stem, always ensuring that the upper bolt of the stem cover threads far enough into the fork tube starnut to allow correct compression of the headset assembly. On bicycle models without Spinblock function, it is also possible to use these spacers between the stem and the SIC HS02 manifold.

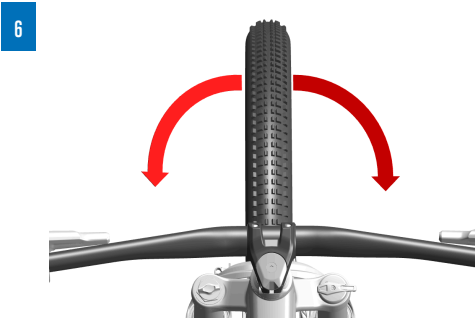
4. If installing carbon handlebars, apply a light layer of carbon paste on the contact surface of the handlebar with the stem. For aluminium handlebars, the application of any compound between the stem and the handlebar is not required.

Continues next page >

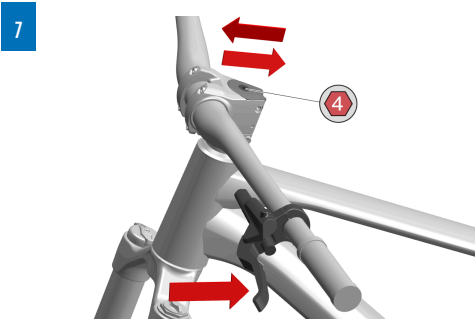


5. On stems marked "NO GAP" the fastening point bolts marked "NO GAP" must first be tightened until the faceplate and stem body make contact. Then tighten the opposite bolts to the final torque given for the model.

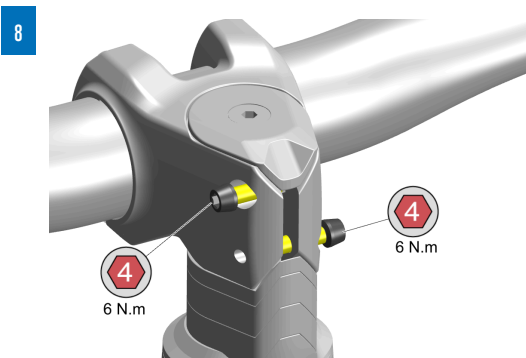
Finally, check the tightening torque of the 4 faceplate screws in a cross pattern, until the recommended tightening torque is reached.



6. With the stem and handlebars fitted, centre the stem with respect to the front wheel.



7. Tighten the stem top cap to the recommended torque. Check that the headset is free of play by applying the front brake and rocking the bike slightly back and forth. Similarly, check that the handlebars rotate smoothly to both sides.



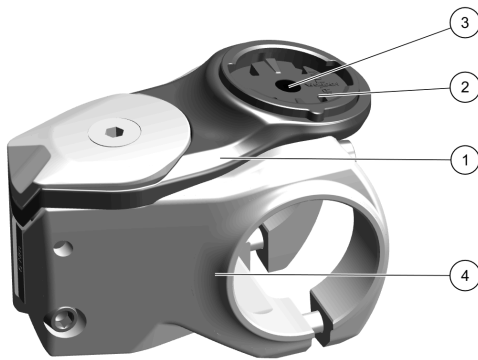
8. Apply assembly grease to the stem clamp bolts and tighten to the recommended torque.



# 11 OC CM-05 GPS MOUNT

The OC CM-05 GPS mount is specific for HS-02 standard OC Mountain Control stems compatible with a Spinblock function (it is not necessary for the frame to have a Spinblock function).

Orbea assemblies that include OC cycle computer mounts only include the adapter for Garmin/Sigma units. If you want to use a device from another brand, you will need to purchase the Garmin/Sigma, Wahoo, Bryton CT-02 adapter kit

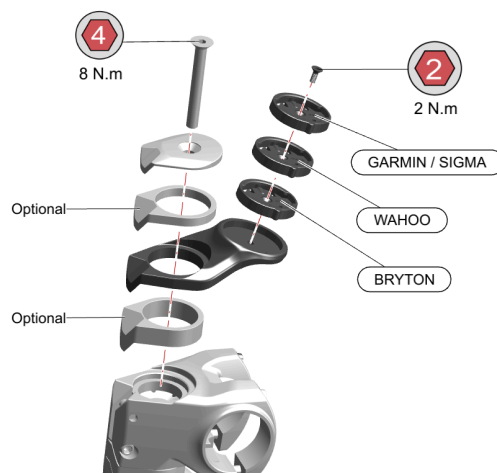


1. CM-05 Cycle computer mount body
2. Adapter for Garmin - Sigma, Wahoo, Bryton
3. Adapter clamping bolt
4. Mountain Control Stem

## TECHNICAL SPECIFICATIONS

<b>MATERIAL</b>	Polymer
<b>SIZE (mm)</b>	83x44x40 mm.
<b>WEIGHT (g)</b>	13 g
<b>COLOUR</b>	Black
<b>COMPATIBLE OC STEMS</b>	OC Mountain Control HS02
<b>DEVICE COMPATIBILITY</b>	Garmin / Sigma / Bryton / Wahoo

## EXPLODED VIEW AND TIGHTENING TORQUES

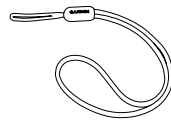


**NOTICE**

With the GPS mount installed above the stem, the fork tube height must be suitable for the height of the stem and the head-set spacers and/or the GPS mount fitted. See the Stems section of this manual for more information on the recommended fork steerer tube height on the stem.

**NOTICE**

Orbea reminds you of the recommendation of GPS unit manufacturers to use the safety cord supplied with the cycle computers around the handlebars to prevent damage to or loss of the unit in the event of an accident.



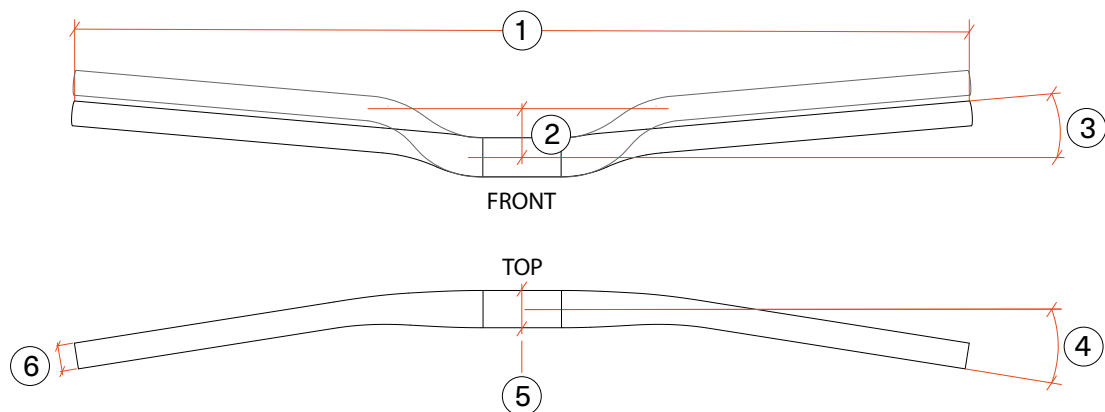
# 12 HANDLEBARS

## OC HANDLEBARS SPECIFICATIONS

Check out the entire range of OC handlebars on our website: [Equipment > OC Components > Handlebars](#)

### OC HANDLEBARS ON RISE SPECIFICATIONS

	MATERI-AL	WIDTH (1)	RISE (2)	UPSWEEP (3)	BACK-SWEEP (4)	Ø STEM CLAMP (5)	Ø ENDS (6)	WEIGHT	INTEND-ED USE
<b>HB-MC10</b>	Carbon	800 mm	20/35 mm	5°	8°	35 mm	22.2 mm	approx. 225 g	Trail/Enduro. ASTM5
<b>HB-MC21</b>	AL7050	800 mm	20 mm	5°	8°	35 mm	22.2 mm	approx. 325 g	Trail/Enduro. ASTM5
<b>HB-MC31</b>	AL6069	800 mm	20 mm	3°	9°	35 mm	22.2 mm	approx. 385 g	Trail/Enduro. ASTM5

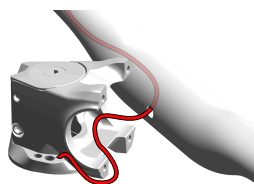


## INTERNAL CABLING OF ELECTRONIC COMPONENTS

The specified OC handlebars allow, together with the OC Mountain Control stems, the internal cable routing of electrical system components, such as the SW-EN600 push button. See the Handlebar and Stem Cabling of Shimano Components section of this manual to find out about the assembly and cabling of each of the options.

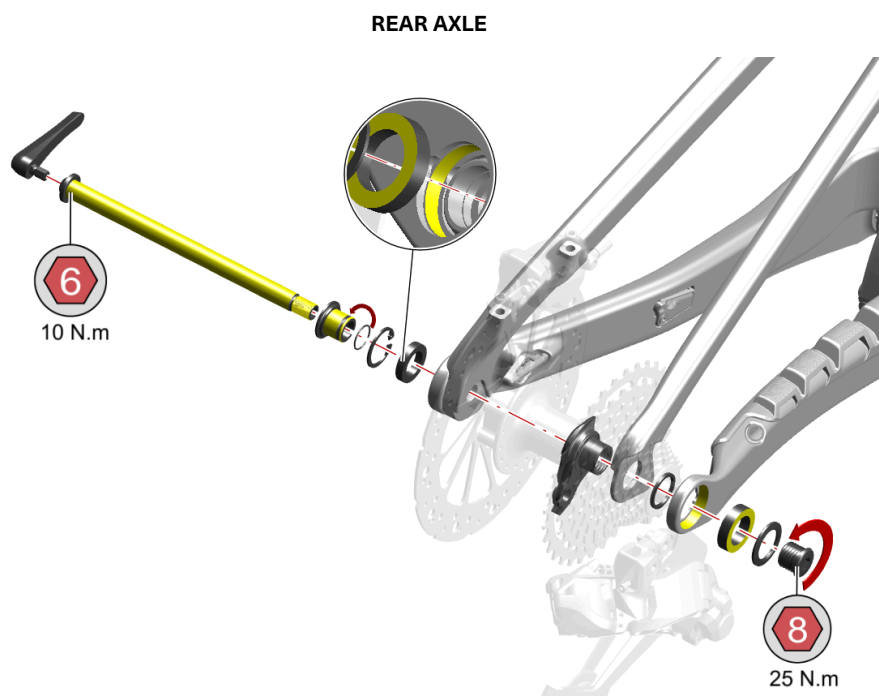
### NOTICE


If the OC handlebars originally mounted on the bicycle is replaced, the new handlebars must allow internal routing of electronic components. Otherwise, the cables of these components have to be positioned on the outside of the handlebars and stem.



# 13 WHEEL AXLES AND DERAILLEUR HANGER

## ASSEMBLY COMPOUNDS AND TIGHTENING TORQUES



COL- OUR	TYPE OF COMPOUND	DESCRIPTION
	LUBRICATION	GREASE: Assembly grease to avoid creaking and seizing. Compatible with carbon and aluminium surfaces.

### NOTICE

See the spare parts section of this manual to find the part references.

**NOTICE**

**SRAM T-TYPE DERAILLEUR COMPATIBILITY:** Rise, as it uses the Sram UDH derailleur hanger, is compatible with Sram T-Type derailleurs with direct mounting to the frame (with no derailleur hanger).

**NOTICE**

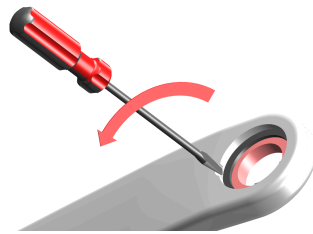
**FRONT AXLE:** The specific mounting instructions for the front thru-axle on suspension forks are defined by the fork manufacturer. See the instructions for use in the manufacturer's documentation.

[Fox 15QR axle](#)

[Fox Kabolt](#)

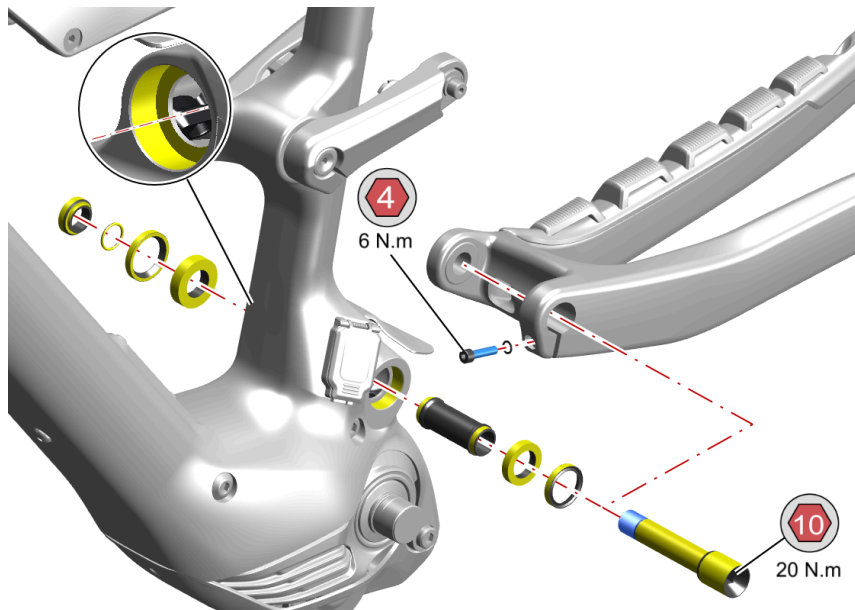
### REMOVING THE LEFT DROPOUT BEARING RETAINING CIRCLIP



To remove the left pivot point bearing, you need to remove the bearing retaining circlip. Use a small flat screwdriver and insert it into the notch for this purpose in the bearing housing and lever it to remove the circlip, having first positioned the open part of the circlip at 90° to the position of the notch. Take care and use tape or some other type of material to avoid marking or damaging the chainstay with the screwdriver when removing the circlip.



## 14 MAIN SWINGARM PIVOT POINT

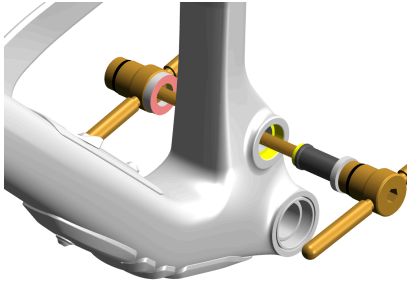
### ASSEMBLY COMPOUNDS AND TIGHTENING TORQUES



COL- OUR	TYPE OF COMPOUND	DESCRIPTION
	LUBRICATION	GREASE: Assembly grease to avoid creaking and seizing. Compatible with carbon and aluminium surfaces.
	RETAINING	THREADLOCK: Medium strength. Loctite 243 type.

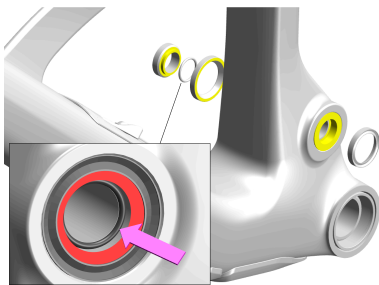
## INSTALLATION PROCESS

1



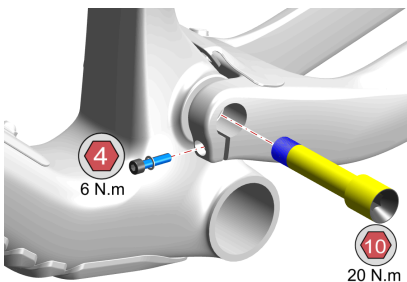
1. Apply assembly grease to the bearing housings on the frame and the spacer. Fit one of the bearings in the spacer housing. Using a bearing press, insert the spacer and bearing assembly from the left side, and the other bearing from the right side.

2



2. Apply grease to the outside of both bearings and position the seals, making sure that the flat part of the seal is the one that comes into contact with the bearing. On the right side, position the O-ring as shown in the detail view and then insert the bushing.

3



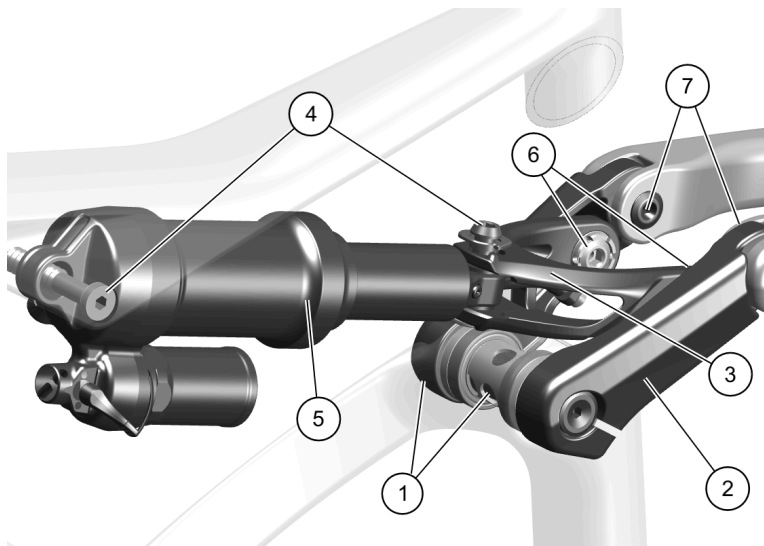
3. Apply assembly grease to the body and head of the thru-axle and medium-strength threadlock to the threads. Insert it and tighten to the indicated tightening torque (20 Nm). Next, apply medium strength threadlock to the left chainstay fixing bolt and tighten it to 6 Nm

## 15 LINKAGE AND SHOCK ABSORBER AREA

Rise SL and LT share the same two-piece linkage with a specific yoke for each of the assemblies (SL or LT) providing different characteristics between the two models. The Rise Hydro SL damping system uses an aluminium yoke to achieve 140 mm of rear travel, giving it a fast trail geometry and suspension system.

Rise LT uses an aluminium yoke to achieve 150 mm rear travel (air or spring) allowing a bold geometry to attack the most difficult trails. Furthermore, for Rise LT, the Quick Flip installed on the shock absorber yoke fixing lets you change between High and Low geometries in a few seconds, to adapt the bicycle to the route you have in mind. See the “geometry” section to find out about the geometry changes between the two options.

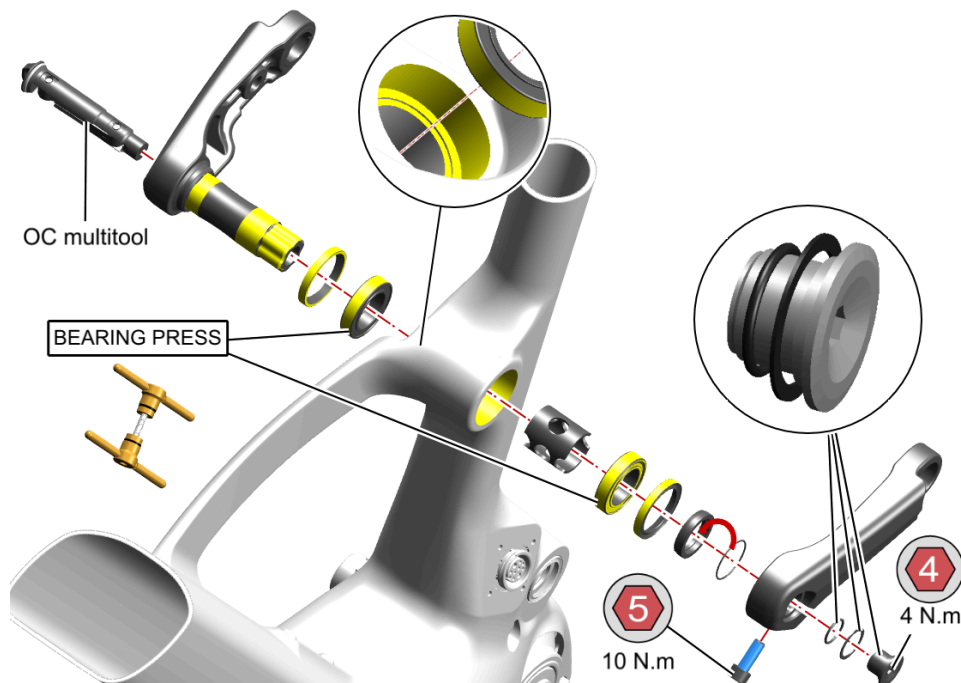
## ELEMENTS



1. Right linkage + axle (1 part)
2. Left linkage
3. Yoke: (SL or LT)
4. Shock attachment hardware (with Flip Chip on LT)
5. Shock absorber (spring or air)  
SL: 210x50mm / LT: 210x55mm
6. Yoke-linkage hardware
7. Linkage-seatstay hardware.

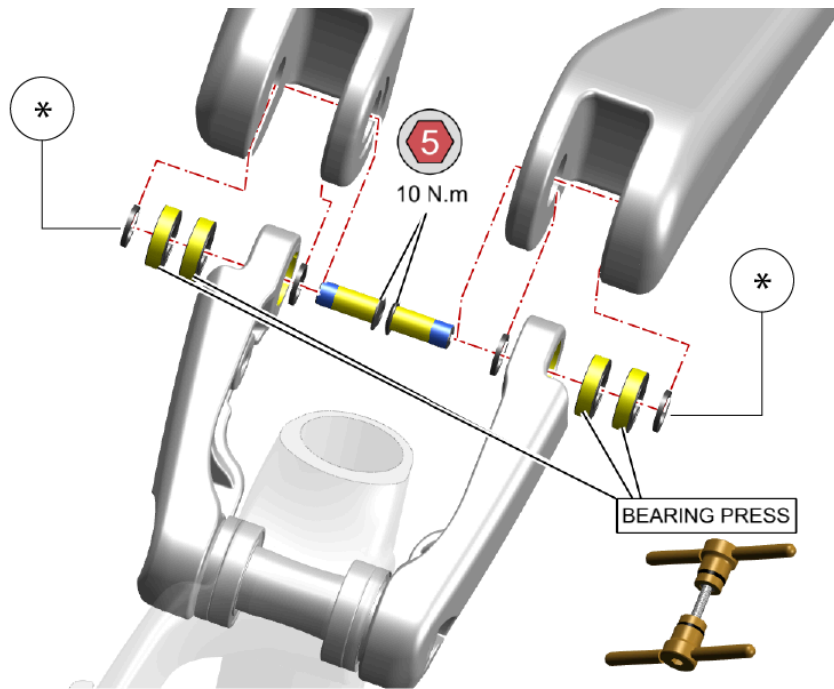
## ASSEMBLY COMPOUNDS AND TIGHTENING TORQUES

### FRAME-LINKAGE PIVOT POINT. ASSEMBLY COMPOUNDS AND TIGHTENING TORQUES



COL- OUR	TYPE OF COMPOUND	DESCRIPTION
	LUBRICATION	GREASE: Assembly grease to avoid creaking and seizing. Compatible with carbon and aluminium surfaces.
	RETAINING	THREADLOCK: Medium strength. Loctite 243 type.

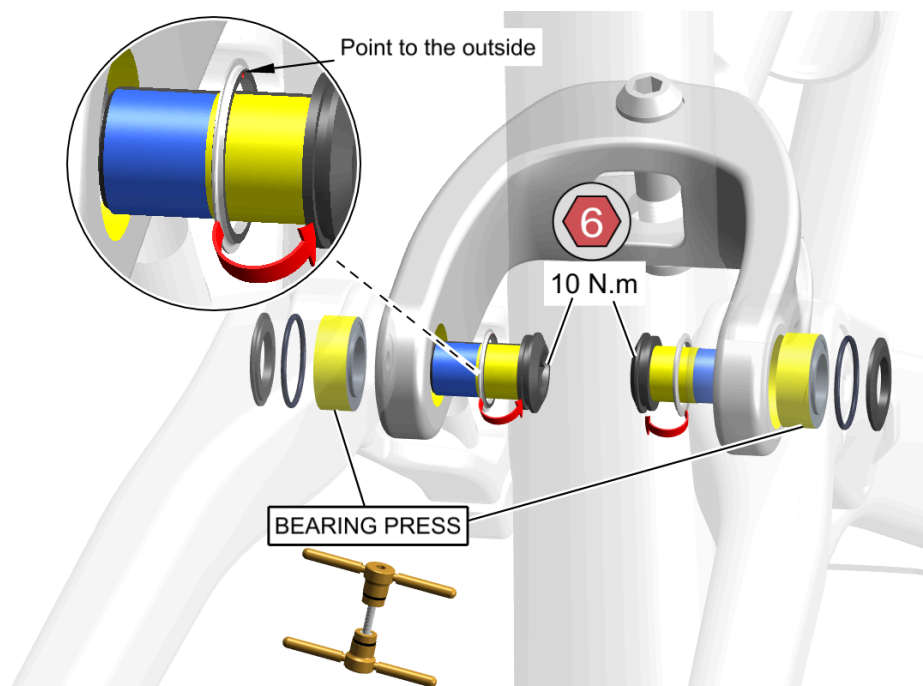
## SEATSTAY-LINKAGE PIVOT POINT. ASSEMBLY COMPOUNDS AND TIGHTENING TORQUES



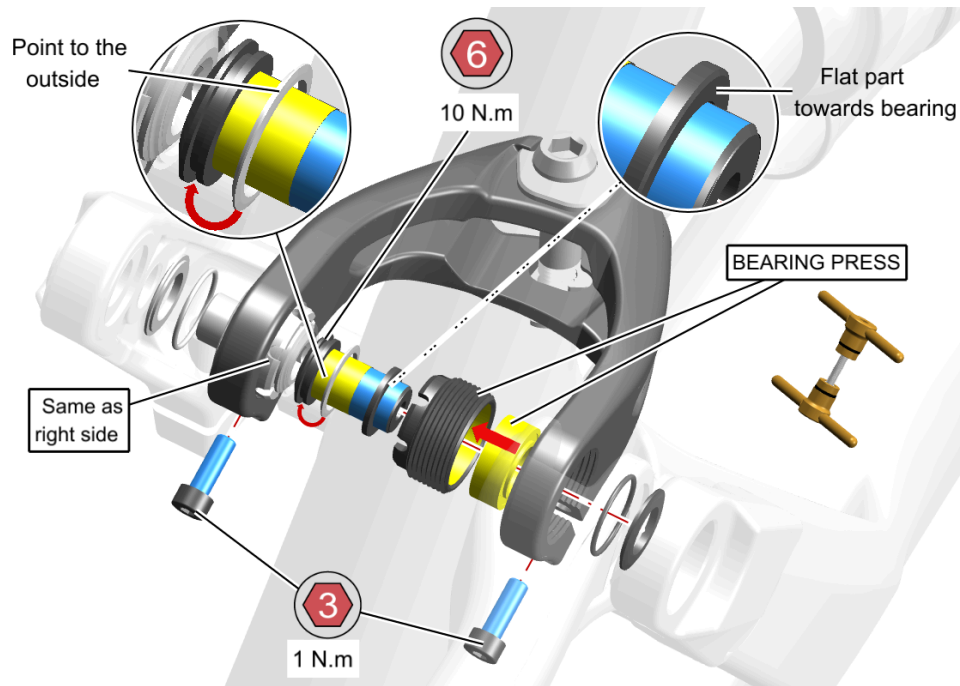
\* Position the small spacer on the outside and the large spacer on the inside of the linkage.

COL- OUR	TYPE OF COMPOUND	DESCRIPTION
	LUBRICATION	GREASE: Assembly grease to avoid creaking and seizing. Compatible with carbon and aluminium surfaces.
	RETAINING	THREADLOCK: Medium strength. Loctite 243 type.

## SL YOKE. ASSEMBLY COMPOUNDS AND TIGHTENING TORQUES



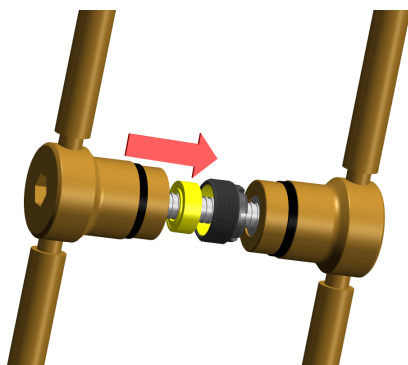
## LT YOKE. ASSEMBLY COMPOUNDS AND TIGHTENING TORQUES



COL-OUR	TYPE OF COMPOUND	DESCRIPTION
	LUBRICATION	GREASE: Assembly grease to avoid creaking and seizing. Compatible with carbon and aluminium surfaces.
	RETAINING	THREADLOCK: Medium strength. Loctite 243 type.

### INSTALLATION OF THE LT YOKE

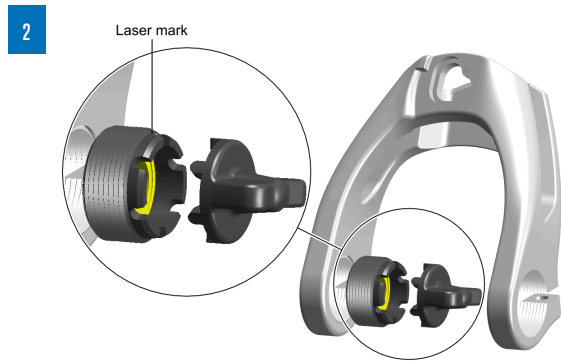
1



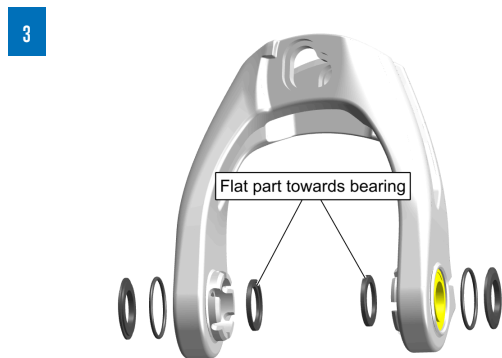
- Using a bearing press, install the bearings into the cups from the cup side without the mounting splines. Apply assembly grease to the inside of the bearing cups and races before installation.

[Continues next page >](#)

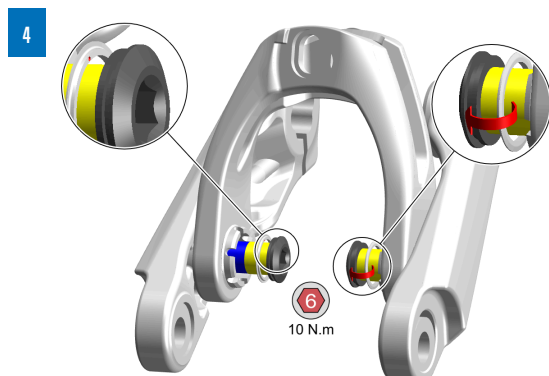




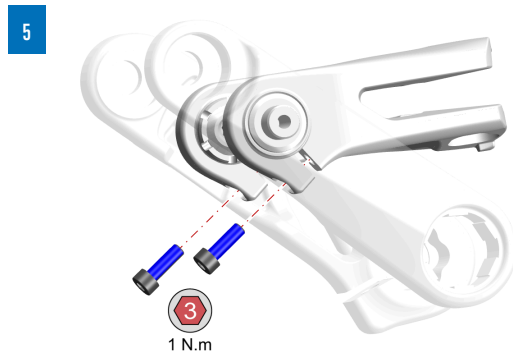
2. With the bearings already mounted in the cups, install them on the yoke, using the specific tool, up to the laser mark (shown in the detailed view).



3. Apply grease to the outside of both bearings and position the seals, making sure that the flat part of the seal is the one that comes into contact with the bearing.



4. Place the dust rings in the axle groove, positioning the point towards the external face as shown in the detail view (grease the ring to facilitate assembly). Apply assembly grease to the body and head of the thru-axle and medium-strength threadlock to the threads. Insert it and tighten to the indicated torque (10 Nm).

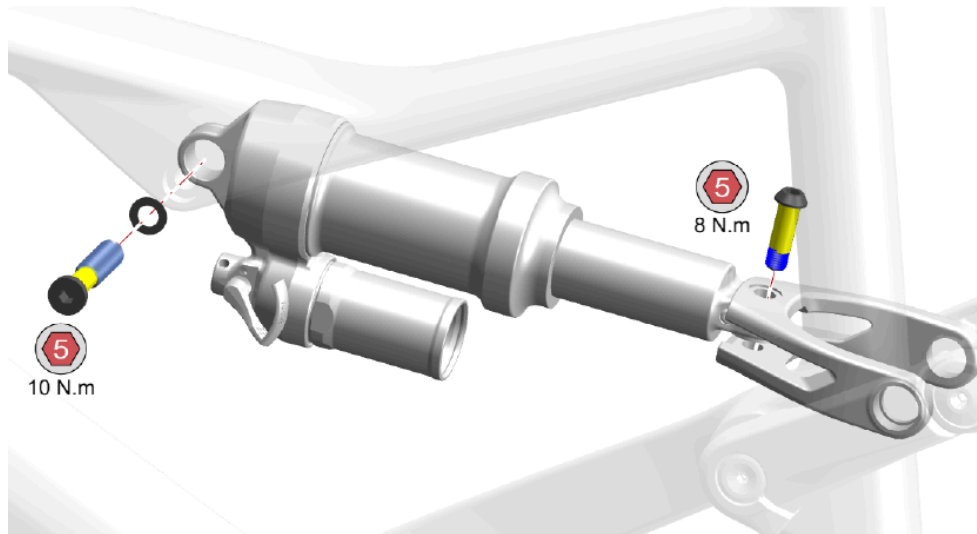


5. Apply medium-strength threadlock to the pinch bolt threads and tighten to 1 Nm.

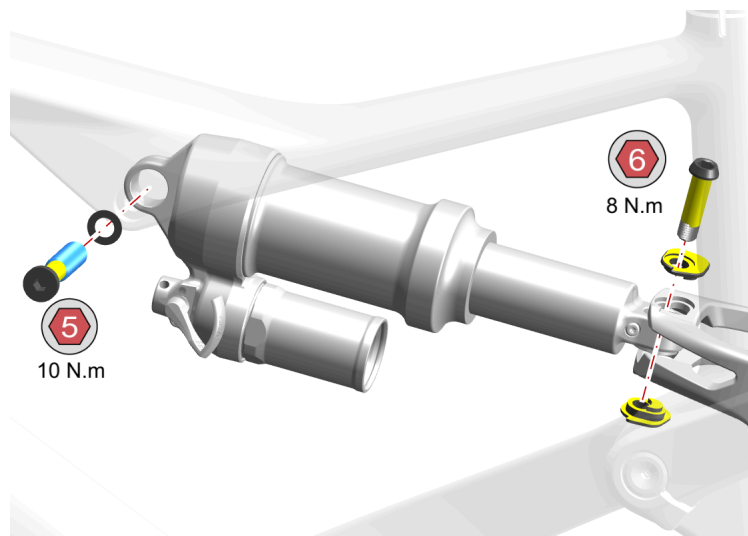
## INSTALLATION OF THE SL YOKE



In the Rise SL yoke, the bearings are inserted directly into their housing, eliminating the need for cups. Once the bearings are installed, follow steps 2 and 3 of the LT yoke installation process above to complete their assembly.

## FIXING THE SL SHOCK



## FIXING THE LT SHOCK



COLOUR	TYPE OF COMPOUND	DESCRIPTION
	LUBRICATION	GREASE: Assembly grease to avoid creaking and seizing. Compatible with carbon and aluminium surfaces.
	RETAINING	THREADLOCK: Medium strength. Loctite 243 type.

## ATTITUDE ADJUST. GEOMETRY CHANGE ON LT MODELS

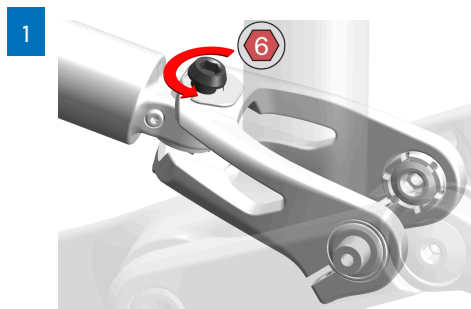
Rise LT allows you to have two geometry options on the same bike by changing the position of the Quick Flip in the shock hardware. The low position offers a more relaxed position for the most demanding trails, while the high position increases the head and seat tube angles by half a degree, making the bike a little more responsive. See the complete information on both options in the geometry section.

## INSTRUCTIONS FOR CHANGING HIGH AND LOW GEOMETRIES

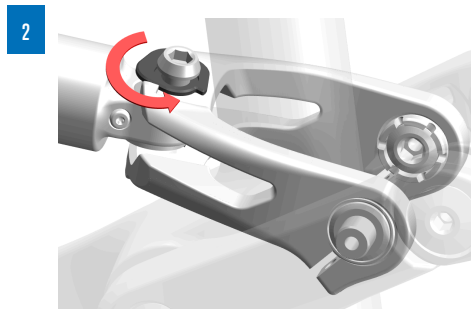
### NOTICE

This process describes the change from the “High” position to the “Low” position. Perform the same process but changing the upper pickup to the position shown in the first image to perform the reverse process

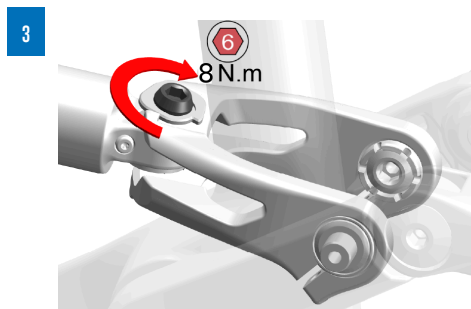
See the instructional video [here](#) on how to use Attitude Adjust technology.



1. Loosen the bolt securing the shock to the yoke with a size 6 Allen key (you can use the rear axle cam to do this).



2. Pull the top tube up until the top pickup of the Quick Flip is positioned as shown in the image.



3. Tighten the clamping bolt again, to 8 Nm (you can provisionally use the rear axle cam to do this if you are on the road).

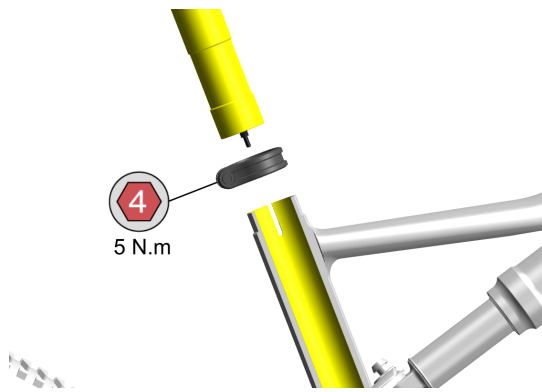
# 16 SEATPOST CLAMP INSTALLATION


## NOTICE

See the OC Components dropper seatpost manuals on our website:

[www.orbea.com/gb-en/](http://www.orbea.com/gb-en/) > Support > Manuals > Product

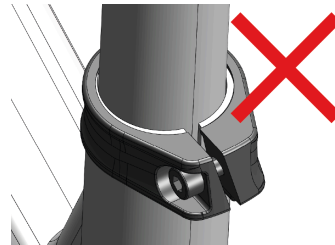
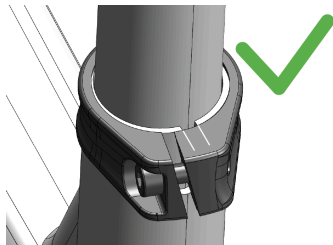
For installation instructions for third-party seat posts, see the manufacturer's documentation.



COLOUR	COMPOUND TYPE	DESCRIPTION
	LUBRICATION	GREASE: Assembly grease to avoid creaking and seizing.

## NOTICE

Always position the seatpost clamp so that the markings match the slot in the frame tube. The slot on the clamp should not match the slot on the frame tube.

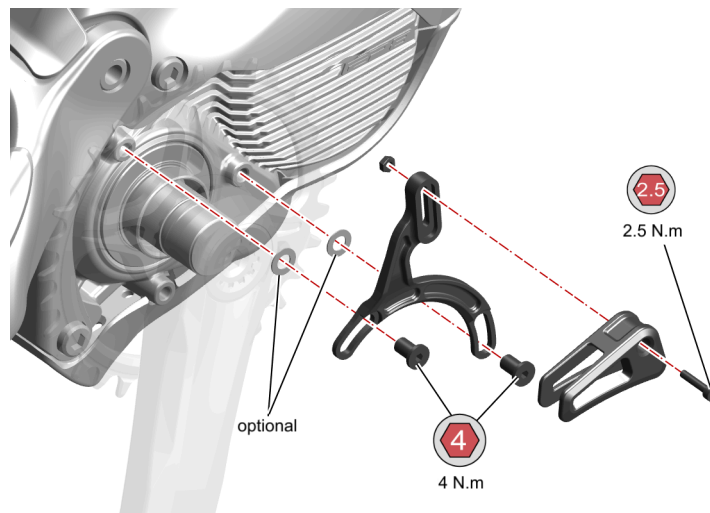


# 17 CHAINGUIDE

## NOTICE

If it is not possible to access the chainguide fixing bolts through the chainring spider when it is mounted, you need to disassemble the right crank and the chainring to remove the chainguide. See the internal battery removal section for the crank and chainring removal method.

The chain guide installed in Rise is exclusively for chainrings with a 55 mm chainline.



# 18 LOCKR. TOOL STORAGE IN THE FRAME

## OC FLP MT-20 MULTI-TOOL AND REAR AXLE CAM

To avoid having to take extra luggage on your routes, Rise includes a 6 mm cam on the rear axle that lets you remove the rear wheel and change between High and Low geometries in LT versions.

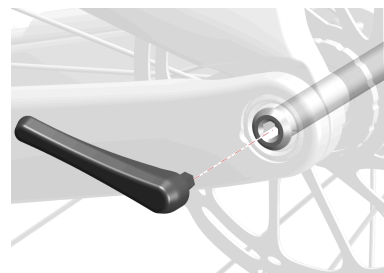
The hollow shaft of the linkage offers the option to include an OC FLP MT-20 multi-tool with 2, 3, 4 and 5 mm Allen keys. These tools are included in some models, but for the rest they are offered as options.

Both tools are available from the Orbea website as aftermarket components. See the spare parts section of this manual to find the part references.

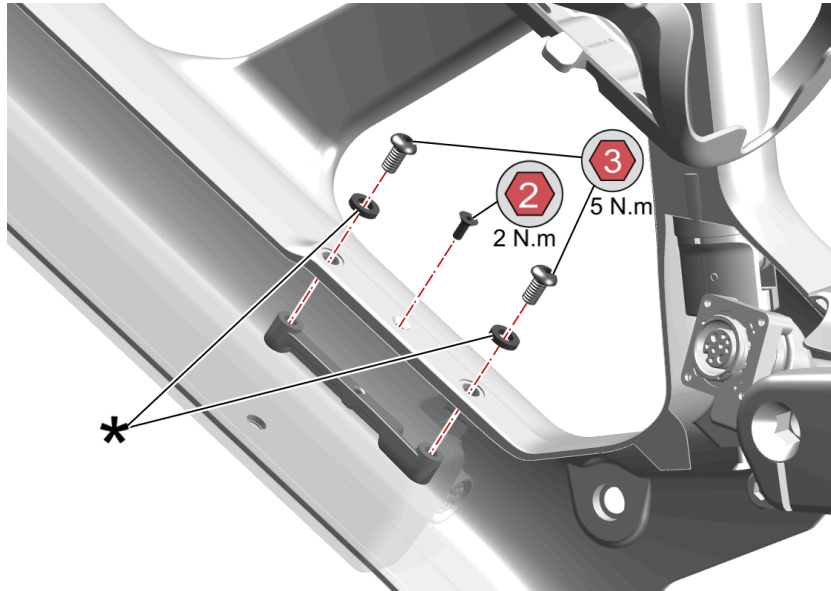
OC FLP MT-20 MULTI-TOOL



REAR AXLE CAM



## 19 BOTTLE HOLDER PLATE



### NOTICE

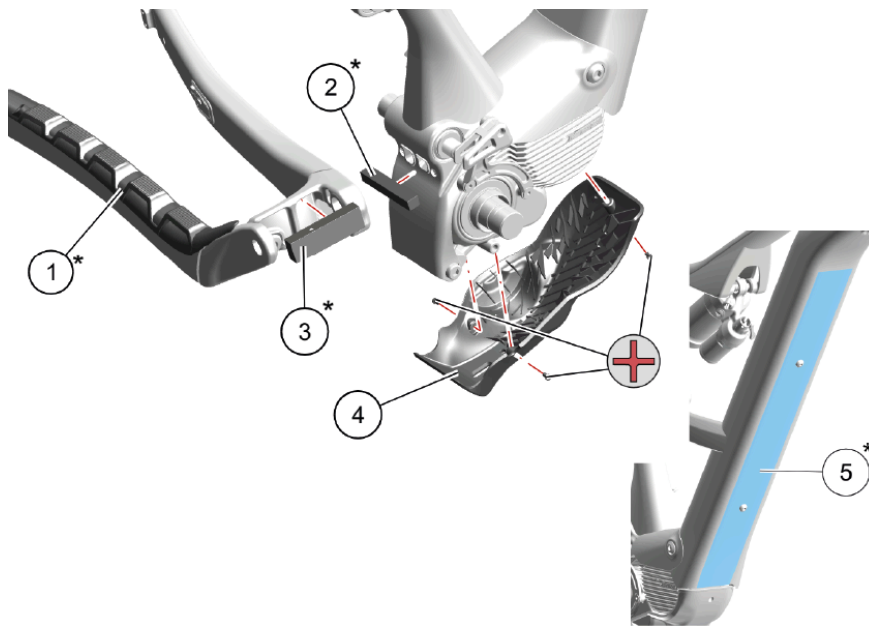
You need to remove the motor and the internal battery from the frame to replace the bottle holder's internal attachment plate. See the specific internal battery removal section of this manual for the removal process.

### NOTICE

\* Rise has the Range Extender 210Wh external battery holder fitted as standard, which is compatible with the use of standard bottles when the external battery is not used. The Range Extender mount does not require the washers marked in the image for installation on the frame. However, if a standard bottle holder is mounted in place of the Range Extender mount and it does not contact the frame, you can use washers to compensate for the clearance between the bottom of the bottle holder and the frame. These washers are not supplied with the bicycle, but are available as part of the replacement bottle holder fixing plate. See the spare parts section of this manual to find the part references.

# 20 PROTECTORS

## CHAINSTAY AND MOTOR PROTECTORS



1. Chainstay rubber adhesive protector
2. Adhesive foam bottom protector FT
3. Hinged adhesive foam top protector
4. EP801/EP6 motor protector
5. Downtube adhesive transparent protector

### NOTICE

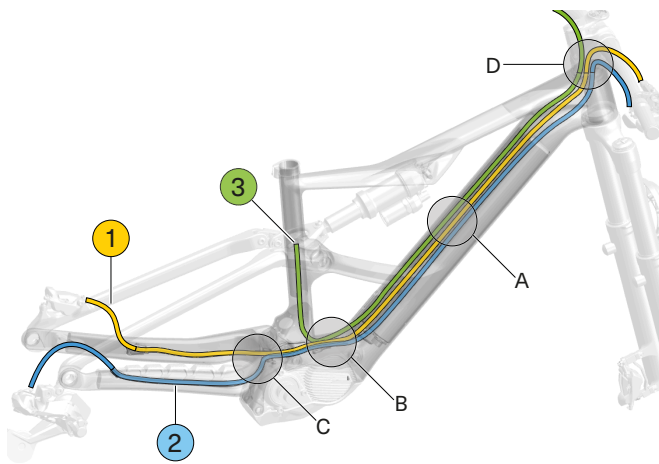
**\* INSTALLING ADHESIVE PROTECTORS:** To install adhesive protectors on the frame, first clean the installation area with isopropyl alcohol (maximum concentration 70%) to remove any dirt or remains of a previous protector. Then remove the adhesive protection from the new protector and install the protector in the appropriate area, pressing on the entire surface to ensure that it adapts and adheres well to the contour of the frame.

**INSTALLATION OF THE RIGHT CHAINSTAY RUBBER PROTECTOR:** If you need to replace the right chainstay rubber protector, you need to remove the Cable Pass cable routing tube from the right chainstay, as this tube is glued to the outside of the cable exit hole of the rubber protector. Refer to the Cable Pass tube installation section of this manual for the installation method.

# 21 CABLING

## OVERVIEW OF FRAME COMPONENT CABLING

### MECHANICAL COMPONENTS



1. Dropper seatpost remote

2. Derailleur (mechanical)

3. Rear brake

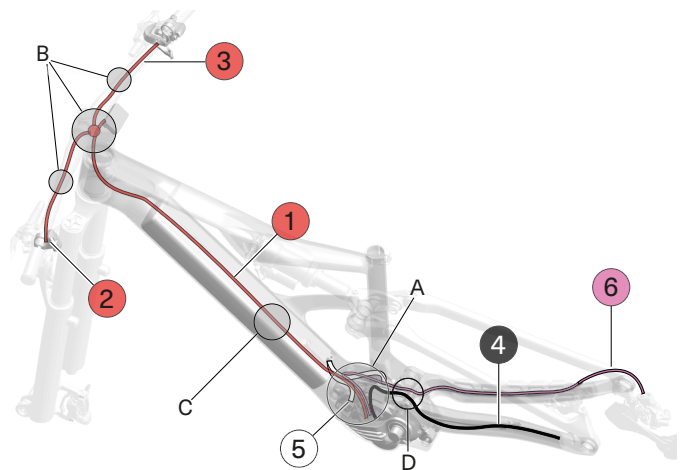
A. Housings over the battery without crossing

B. See motor compartment cabling section

C. See Cable Pass section

D. See Headset section

### ELECTRICAL SYSTEM COMPONENTS



1. Shimano EW-SD300 1200 mm cable (to junction or display)

2. Shimano EW-SD300 700 mm cable (to SW-EN600 remote)

3. Shimano EW-SD300 700 mm cable (with XT Di2 handle -aftermarket assemblies-)

4. EW-SS301 Speed sensor

5. Orbea RS Gen2 cable harness (battery-motor-charging point)

6. Shimano EW-SD300 70 0mm cable (with Di2 cam - aftermarket assemblies -)

A. See sections Motor compartment cabling and Motor connections

B. See section Di2 cabling on handlebars and stem

C. Cable over the battery without crossing

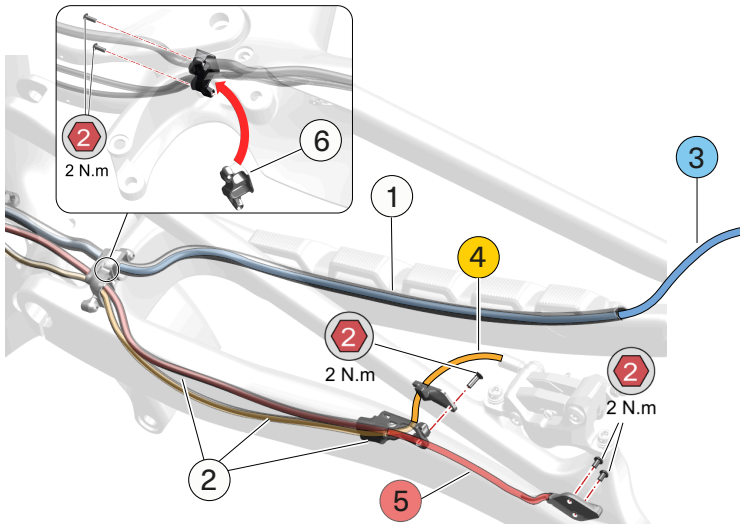
D. See Cable Pass section

## CABLE PASS. CABLING BETWEEN MAIN TRIANGLE AND SWINGARM.

The Cable Pass system protects the cables and housing between the frame's main triangle and the swingarm, and facilitates the cabling to the motor or headset.

On Rise, Cable Pass consists of 3 elements: a guide tube for the rear derailleur housing, the set of tubes and the exit port of the left chainstay of the rear brake line and speed sensor, and the Cable Pass cable guide at the rear of the motor compartment of the frame's main triangle.





- 1. Cable Pass tube right chainstay

---

- 2. Cable Pass tubes left chainstay and exit port (1 piece)

---

- 3. Rear derailleur housing

---

- 4. Rear brake line

---

- 5. EW-SS301 Speed sensor

---

- 6. Cable Pass cable guide

**NOTICE**

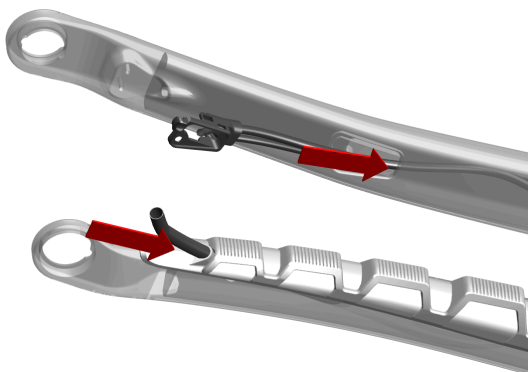
See the spare parts section of this manual to find the part references.

## INSTALLING CABLE PASS TUBES

**NOTICE**

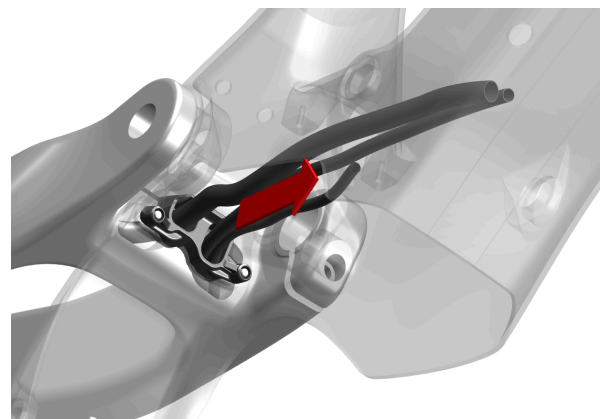
The installation of the Cable Pass tubes requires advanced mechanical knowledge, since it requires removing the motor and may require removing the swingarm from the frame's main triangle. Take your bike to an authorised dealer for this type of repair and maintenance. Damage to components caused by incorrect installation is not covered under the guarantee terms. See the section of this manual covering the removal of the internal battery for the motor removal process to access the motor housing.

1



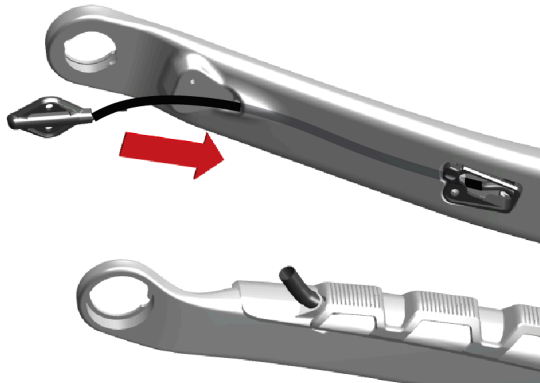
Insert the tube for the right chainstay and the left chainstay's set of tubes and cable guides through the holes of both chainstays. The relevant chainstay's rubber protector must be pre-installed on the chainstay, the Cable Pass tube is guided through the protector's hole.

2



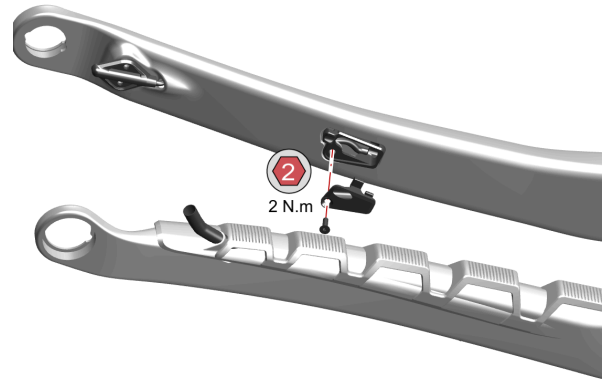
Guide the tubes to their corresponding exit (same side) on the swingarm and motor compartment.

3



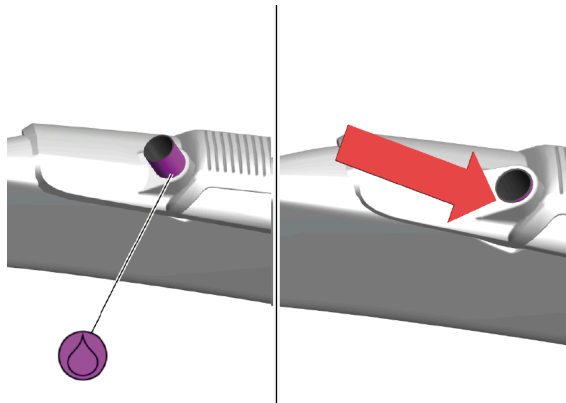
Insert the speed sensor cable through the corresponding hole and guide it through the Cable Pass tube to the motor compartment.

4



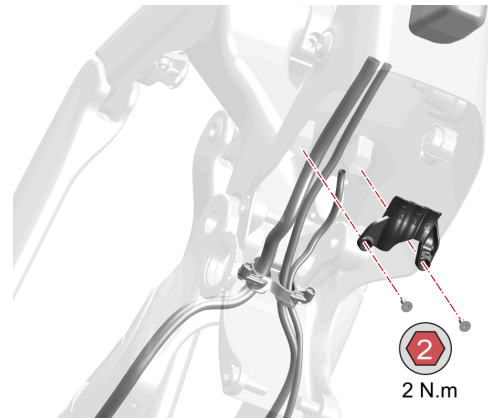
Install the left chainstay's port cap.

5



Apply a small amount of mild bi-component or instant adhesive to the part of the tube that contacts the hole in the right chainstay rubber protector and finish installing it in the protector hole. Immediately clean any excess adhesive with isopropyl alcohol (maximum concentration 70%) and allow to dry according to the recommendation of the adhesive manufacturer.

6

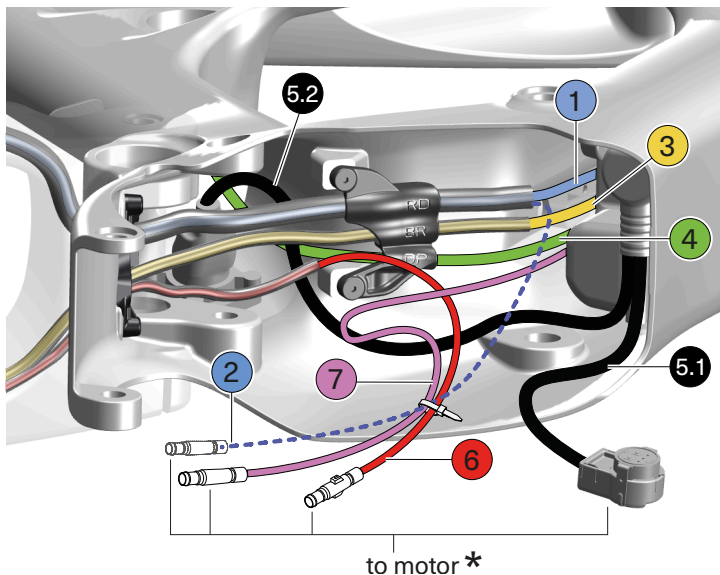


Install the motor compartment cable guide. See the section Cabling in the motor compartment to find the position of all the sheaths and cables in this area.

## MOTOR HOUSING CABLING

### NOTICE

See the Electrical Assist System Components section for more information on the pedelec system.



1. Rear derailleur housing (mechanical)
2. XT Di2 derailleur (aftermarket assemblies)
3. Rear brake line
4. Dropper seatpost remote
- 5.1. Cable harness RS Gen2. EP801/EP6 Motor connection
- 5.2. Cable harness RS Gen2. Charging port
6. EW-SS301 Speed sensor
7. Shimano EW-SD300 1200 mm cable (to junction or display)

\*See section Motor connections

\*\* See section Di2 cabling on handlebars and stem

## STEM AND HANDLEBAR CABLING OF SHIMANO COMPONENTS.

Rise uses handlebars from the OC Components Mountain Control range, which have a hole at the rear of the stem clamping area and a hole at each end of the handlebars to allow internal routing through the handlebars of the electrical system's remote control and the Di2 shift lever (aftermarket assemblies).

It is possible to mount non-OC handlebars without an internal cabling option in the handlebar. In this case, the cables of the electrical system remote and the Di2 shift lever will be routed on the outside of the mounted handlebar.

Fitted Mountain Control range stems let the electrical system cables enter through a slot in the lower part of the stem to be routed inside the OC handlebars. Depending on the assembly, a Shimano Di2 connector may be used inside the OC stem (see images below for the various assembly options).

### NOTICE

If the OC handlebars originally mounted on the bicycle is replaced, the new handlebars must allow internal routing of electronic components. Otherwise, the cables of these components have to be positioned on the outside of the handlebars and stem.

If mounting a non-OC stem using the universal manifold for the HS02 headset, see the [Orbea ICR Headset Standards](#) specific manual, it may be necessary for the electrical system cabling and the Di2 connector to be left outside the stem if the newly installed stem does not have an internal cabling option.

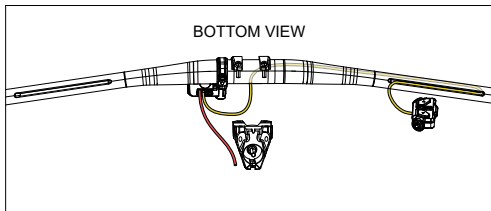
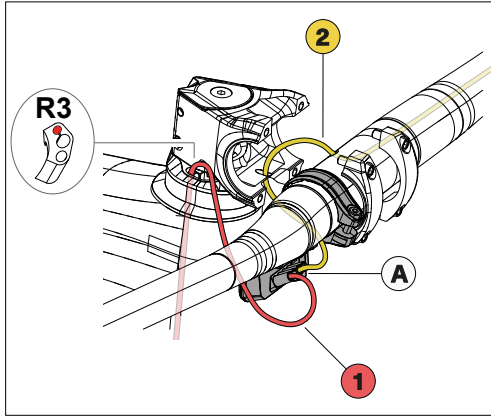
Orbea does not guarantee the compatibility of components not specified in original Orbea assemblies. Check the feasibility of assembling new components before installing them. Personal injury and property damage resulting from non-compatible components and/or incorrect installation are not covered by the warranty conditions.

### NOTICE

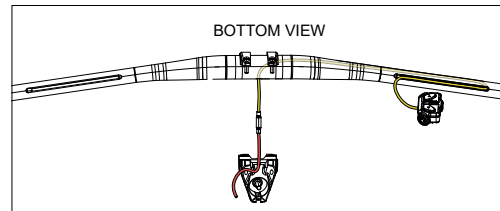
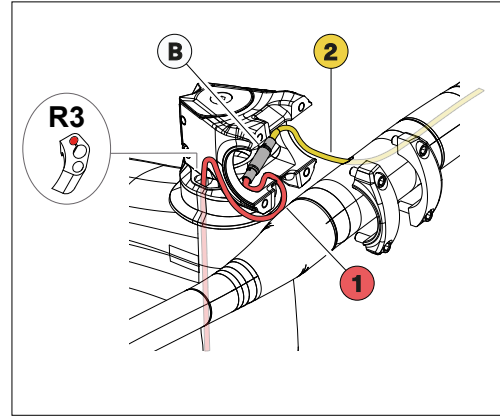
See the Electrical Assist System Components section for more information on the pedelec system.

**OC MOUNTAIN CONTROL HS02 STEM AND OC MOUNTAIN CONTROL HANDLEBARS CABLING**

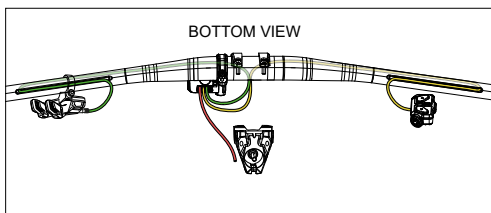
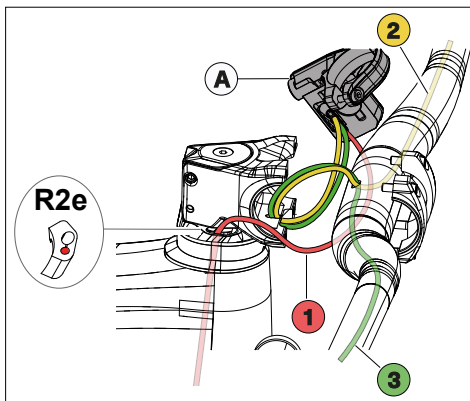
**OPTION 1** With Shimano SC-EN600 display. Mechanical drivetrain



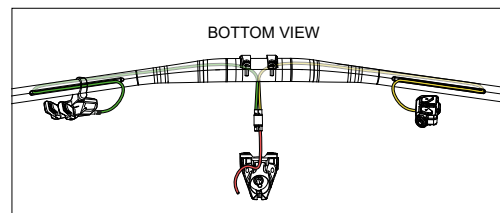
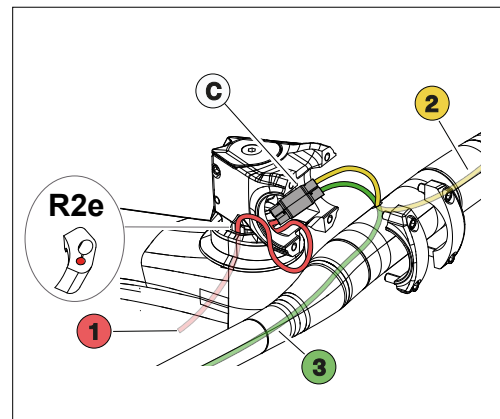
**OPTION 2** Without Shimano SC-EN600 display. Mechanical drivetrain



**OPTION 3** With Shimano SC-EN600 display. Di2 drivetrain



**OPTION 4** Without Shimano SC-EN600 display. Di2 drivetrain



- 1. Shimano EW-SD300 1200 mm cable (to motor)
- 2. Shimano EW-SD300 700 mm cable (to SW-EN600 remote)
- 3. Shimano EW-SD300 700 mm cable (with Di2 SW-M8150-IR handle-aftermarket assemblies-)

- A. Shimano SC-EN600 display
- B. EW-JC302 junction
- C. EW-JC304 junction (aftermarket assemblies)

## 22 ELECTRICAL ASSIST SYSTEM COMPONENTS

### NOTICE

Installation of power assist system components requires advanced knowledge and may be beyond the skill of most users. Always go to an official dealer for the diagnosis, repair and installation of the components of the bike's electrical system. Damage to components resulting from incorrect installation could void the warranty on those components

### NOTICE

**COMPATIBILITY NOTICE. GEN2 ELECTRICAL SYSTEM COMPONENTS:** See the cross compatibility document for components of the Orbea Ebike Systems by clicking [here](#) or on our website: **Support > Manuals > Ebike Components**

## COMPONENT CONNECTION DIAGRAM

The cabling configuration on the handlebars and inside the stem changes depends on the mounting option with or without a Shimano display and with mechanical or electronic drivetrain (see the Cabling section of this manual). All assemblies use a 1200 mm EW-SD300 cable from the Shimano EP801 motor. The Shimano EP801 motor uses a Di2/STEPS EW-SD300 wiring standard. See the images in this section for the components used, as well as the wiring of each component, for each option type. See the cabling section of this manual to find the routing of the electrical system cables in the frame, stem and handlebars.

### NOTICE

See the spare parts section of this manual to find the part references.

<b>A.</b>	With Shimano SC-EN600 display. Mechanical drivetrain	<b>C.</b>	With Shimano SC-EN600 display. Di2 drivetrain. Aftermarket assemblies
<b>B.</b>	Without Shimano SC-EN600 display. Mechanical drivetrain	<b>D.</b>	Without Shimano SC-EN600 display. Di2 drivetrain. Aftermarket assemblies

ORBEA EBIKE SYSTEMS COMPONENTS		SHIMANO COMPONENTS*	
1.	420 Wh Gen2 battery	8.	EP801/EP6 Motor
2.	630 Wh Gen2 battery	9.	SW-EN600-L remote control
3.	RS 210 Wh Gen2 Range Extender	10.	SC-EN600 Display (optional)
4.	Smart Charger Gen2	11.	XT Di2 SW-M8150-IR handle (aftermarket assemblies)
5.	Rise 2025 charging point cover	12.	XT Di2 RD-M8150-12 derailleur (aftermarket assemblies)
6.	Gen2 Rise 2025 battery-motor-charging point cable harness	13.	EW-JC302 junction (in the handlebars)
7.	210Wh RS 120 mm Range Extender cable	14.	EW-JC304 junction (in the handlebars)
		15.	EW-SS301 speed sensor (in left chainstay)
		16.	EW-SD300 1200 mm cable
		17.	EW-SD300 1200 mm cable
		18.	Speed sensor magnet (see disc compatibility table)

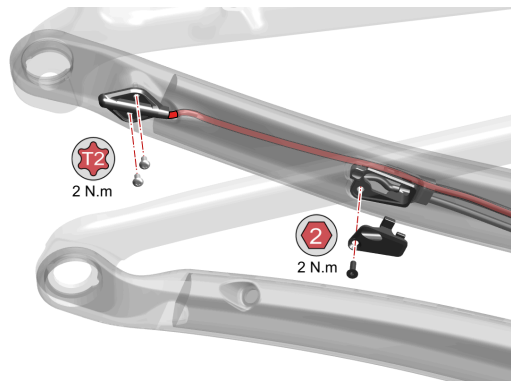


SHIMANO COMPONENTS*	ORBEA EBIKE SYSTEMS COMPONENTS
1. EW-SS301 Speed sensor	4.1. Cable harness RS Gen2. EP801/EP6 Motor connection
2. EW-SD300 1200 mm to XT Di2 derailleur (aftermarket assemblies)	4.2. Cable harness RS Gen2. Charging port
3. Cable EW-SD300 to cockpit 1200 mm	

## SPEED SENSOR. COMPATIBLE BRAKE DISCS AND MAGNETS

### NOTICE

To replace the speed sensor you do not need to remove the swingarm. You will need to remove the motor to access the connections and disconnect/connect the speed sensor (see the Motor Attachment and Motor Housing Cabling sections of this manual). Open the Cable Pass port on the left chainstay so you can route the new sensor cable through the Cable Pass tube to the motor area.





### COMPATIBILITY OF REAR DISC BRAKES

The EW-SS301 speed sensor mounted on Rise is designed for the use of rear brake discs with magnet integrated into the disc spider.

**6-BOLT DISCS:** The vast majority of 6-bolt discs without an integrated magnet are compatible with the use of the Orbea X240 magnet. 6-bolt discs with magnet integrated into the spider are compatible.

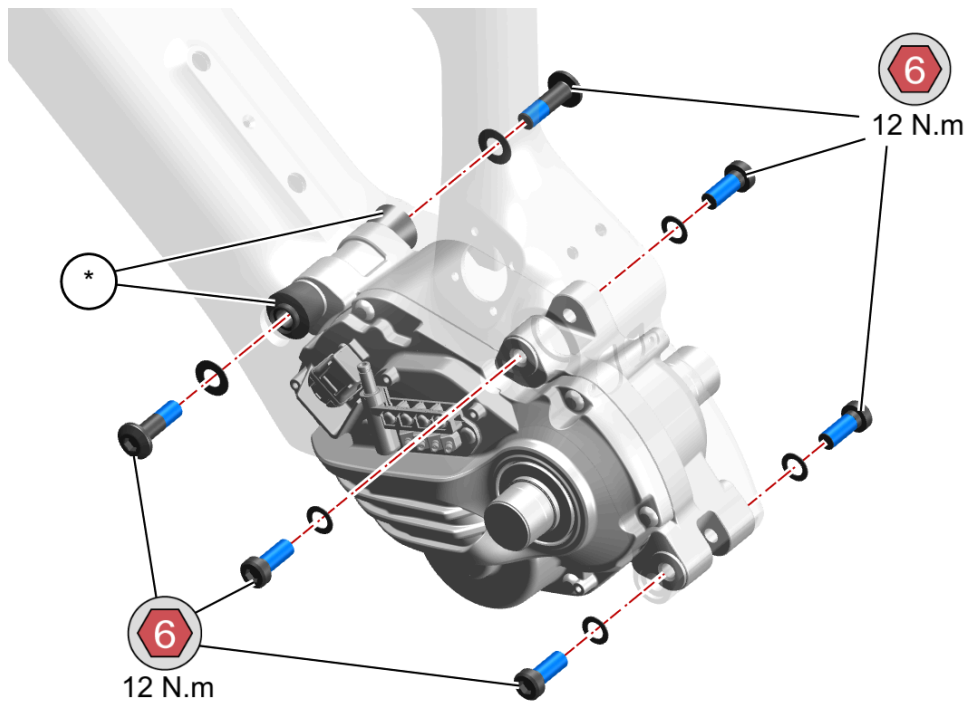
**CENTERLOCK ROTORS:** The EW-SS301 speed sensor is only compatible with discs with the magnet mounted on the spider. Brake discs without the magnet in the spider, where the magnet is integrated into the Centerlock fixing nut, are not compatible.

COMPATIBLE OPTIONS			
CENTERLOCK		6-BOLT	
	<b>MAGNET</b>		<b>MAGNET</b>
	Integrated into the spider		Orbea 6-Bolt magnet <b>X240</b>
<b>CENTERLOCK DISCS:</b> (180-203 mm)		<b>6-BOLT DISCS</b> (180-203mm)	Integrated into the spider 

NON-COMPATIBLE OPTIONS			
CENTERLOCK		6-BOLT	
DISCS	MAGNET	DISCS	MAGNET
<b>CENTERLOCK DISCS</b> (Without spider integrated magnet)	Orbea Centerlock magnet <b>X095</b>	<b>6-BOLT DISCS</b> (Without spider integrated magnet)	Orbea 6-Bolt magnet <b>XA90</b>
	Orbea Centerlock magnet <b>XB18</b>		Orbea 6-Bolt magnet <b>XA91</b>
	In Centerlock nut		



## ATTACHMENT OF THE MOTOR TO THE FRAME



COL-OUR	TYPE OF COMPOUND	DESCRIPTION
	RETAINING	THREADLOCK: Medium strength. Loctite 243 type.

\* The spacers are installed on the inside, between the motor and the frame.

## INTERNAL BATTERY

### INTERNAL BATTERY SPECIFICATIONS

**NOTICE**

See the technical specifications for the Rise-mounted Orbea Gen 2 internal batteries in the Ebike Systems Gen 2 Technical Specifications section of this manual.  
 Refer to internal battery charging, use, and storage warnings and recommendations in the Using Rise and Power Assist System Usage Warnings sections of this manual.



## FIXING THE INTERNAL BATTERY TO THE FRAME

### NOTICE

The method of fixing the frame's internal battery is the same for all Rise-compatible Orbea Gen2 internal battery models. See the internal battery removal and installation section for the complete mounting process.



Use only original Orbea bolts to attach the internal battery to the Rise frame.



COL- OUR	TYPE OF COMPOUND	DESCRIPTION
	RETAINER	Threadlock: Medium strength. Loctite 243 type.

## CONNECTION OF THE CABLE HARNESS TO THE INTERNAL BATTERY

To connect the cable harness to the internal battery (having first disassembled the EP801/EP6 Shimano motor) make sure that the pins and tab on the cable and the battery port match up in the correct position.

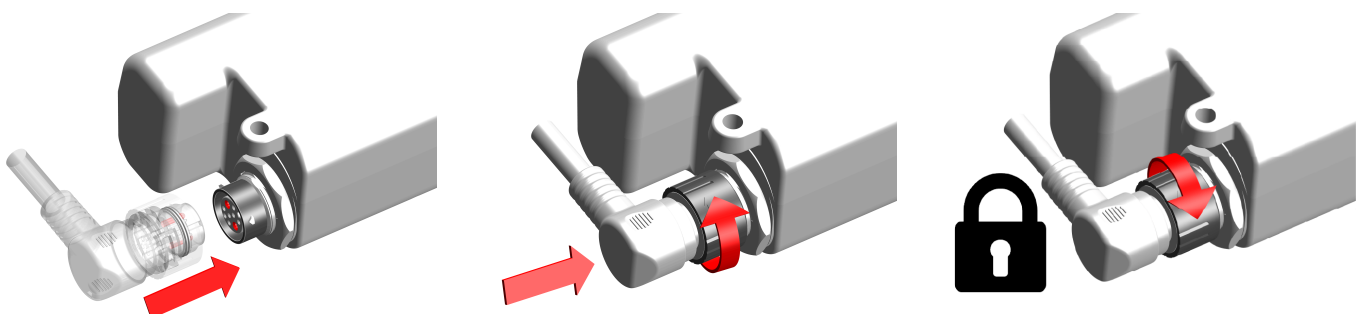
Once the cable harness connector and battery connector make contact, turn the locking ring on the cable harness connector anti-clockwise and press the cable connector into the battery connector.

When the connection between the cable and the battery is complete, release the locking ring so that it returns to the original position and secures the connection.

If the locking ring does not return to its original position when released, the connection is not secure

You can pull gently on the cable harness connector to check that it is securely attached to the internal battery.

See the internal battery extraction and installation method in this manual.



## TROUBLESHOOTING THE INTERNAL BATTERY (INFORMATION FOR DISTRIBUTORS)

Orbea Ebike Systems Gen2 internal batteries do not have LEDs to display battery error codes and troubleshooting cannot be performed using E-Tube Professional. If there is a problem with the Rise electrical system, use E-Tube Professional to check that the problem is not in another Shimano component of the electrical system.

Contact Shimano to provide a system report through a claim. If Shimano informs you that the problem is related to the internal battery, contact Orbea via a claim.

### NOTICE

Please refer to the Connecting to Etube Professional section of this manual for the method of connecting to the diagnostic tool.

## REMOVING THE INTERNAL BATTERY (INFORMATION FOR DEALERS)

### NOTICE

Installation and removal of power assist system components requires advanced mechanical knowledge and may be beyond the skill of most users. Always go to an official dealer for the diagnosis, repair and installation of the components of the electrical system. Damage to components resulting from incorrect handling could void the warranty on those components.

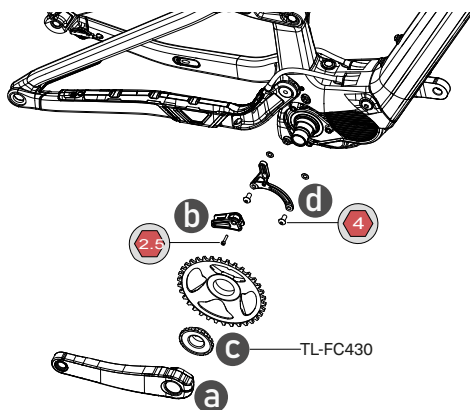


Orbea recommends that internal batteries only be replaced by authorised Orbea dealers, as the process requires the removal of major components of the bicycle and the electrical system. If you are going to travel with your bicycle and need to remove the battery, always take your bike to an Orbea dealer to avoid damage to the materials and to ensure that all of the components work correctly and safely. Incorrect installation of components can cause them to fail, which can lead to serious accidents and injuries

### NOTICE

The method of removing the frame's internal battery is the same for all Rise-compatible Orbea Gen2 internal battery models.

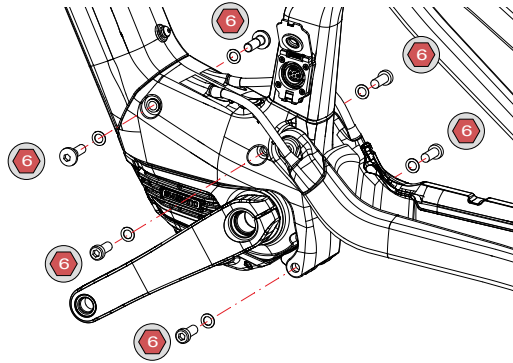
1



- a. Remove the right crank following the manufacturer's recommended process:  
[https://si.shimano.com/dm/DUE001/install\\_chaining\\_crank\\_arms](https://si.shimano.com/dm/DUE001/install_chaining_crank_arms)
- b. Remove the upper part of the chain guide so that the chainring can be disassembled.
- c. Remove the Shimano locking from the chainring so that it can be removed. The locking is loosened to the right. The rear wheel and belt/chain need to be installed in order to be able to lock the chainring rotation by holding the rear wheel to allow the locking to be loosened. Use the Shimano TL-FC430 tools together with the TL-FC36, TL-FC33 or TL-FC32 (all three are compatible) for locking removal.
- d. Remove the chainguide body to gain access to the motor attachment bolts.

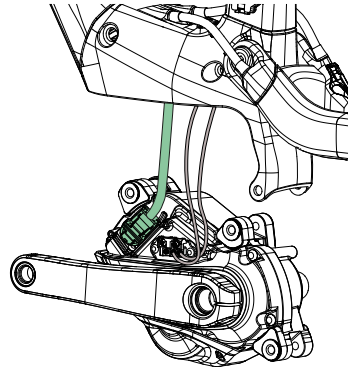
Continues next page >

2



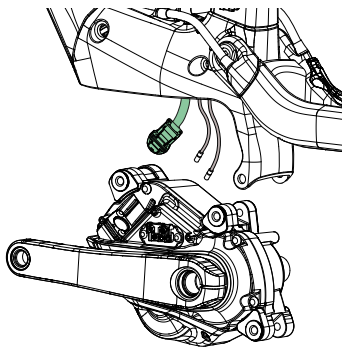
Remove the bolts and washers securing the motor to the frame using a 6 mm Allen key.

3



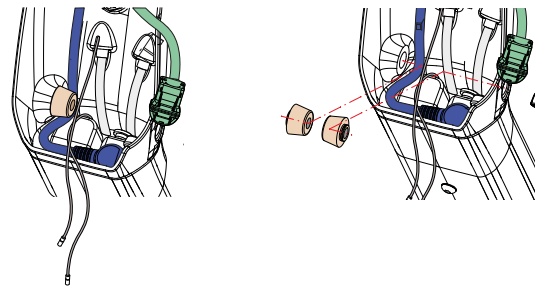
Carefully remove the motor from the frame to avoid damaging the cables.

4



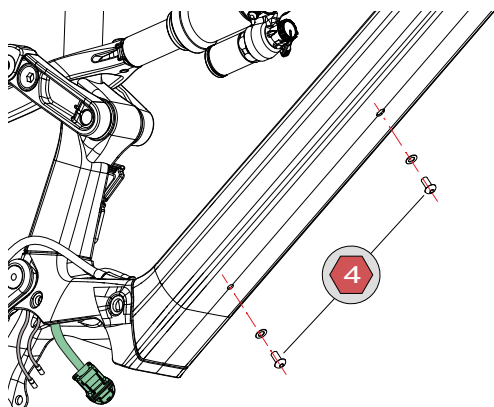
Disconnect the cable from the battery to the motor and the speed sensor cables, the one that goes to the cockpit and the one from the Di2 derailleur (in assemblies with an electronic derailleur).

5



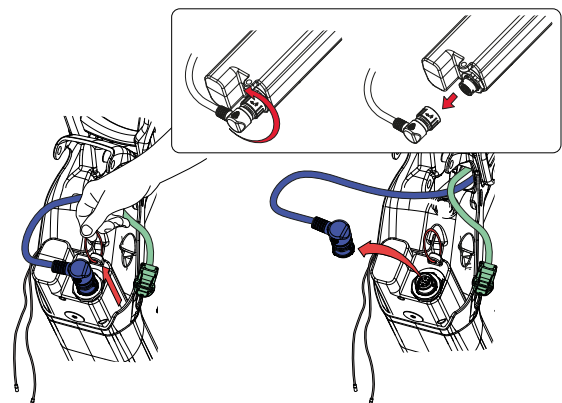
Remove the upper motor attachment bushings. Remember, when re-installing the bushings when installing the motor, the battery connection cable must be routed over the left bushing to allow the motor to be installed.

6



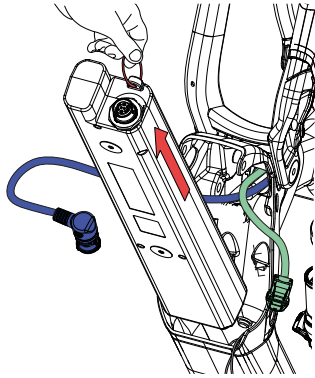
Remove the bolts and washers securing the internal battery to the downtube.

7



Pull on the battery cable loop to remove the battery from the downtube, until the battery cable connector is easily accessible. Disconnect the battery cable by turning the locking ring to the left and pulling on the connector.

8



Remove the battery from the downtube.

## **INSTALLING THE INTERNAL BATTERY**

---

To reinstall the internal battery, follow the opposite process to removing it.

Check the cable routing and tightening torques of all components in the sections of this manual for each element.

For the correct installation of the Shimano locking on the chainring and cranks, please refer to the manufacturer's documentation.

[https://si.shimano.com/dm/DUE001/install\\_chainring\\_crank\\_arms](https://si.shimano.com/dm/DUE001/install_chainring_crank_arms)

## RS 210 WH GEN2 RANGE EXTENDER

The Orbea Range Extender RS Gen2 external battery connects to the assist system to provide it with 210 Wh of additional capacity.

### COMPATIBILITY NOTICE

#### NOTICE

The RS 210 Wh Gen2 Range Extender external battery is only compatible with Orbea electric bicycles with the Orbea Ebike Systems Gen2 electric assistance system with Shimano EP801/EP8 motors and RS Mountain Control firmware. See [here](#) for the compatibility of Orbea Ebike System components with Orbea ebike models.

### TECHNICAL SPECIFICATIONS

#### RS 210 Wh GEN2 RANGE EXTENDER EXTERNAL BATTERY

<b>VOLTAGE</b>	36 V
<b>CAPACITY</b>	210 Wh
<b>WEIGHT</b>	Approx. 1.03 kg
<b>CELLS</b>	Lithium ion. LG INR21700M58T
<b>100% CHARGING TIME (2A) With RS Smart Charger Gen2</b>	3 hours
<b>80% CHARGING TIME (2A) With RS Smart Charger Gen2</b>	2 hours
<b>TEMPERATURE RANGES</b>	Charging: 0°C — 40°C Discharge (use): -10°C — 40°C Storage: 0°C — 35°C (humidity 5% — 65%)
<b>ASSEMBLY</b>	Specific bottle holder on downtube
<b>CONNECTION</b>	Specific Rise cable 120 mm
<b>SEALING</b>	IPX6
<b>CERTIFICATIONS</b>	ISO13849 > ISO13849-1:2015 IEC62133 > IEC62133:2017 UN 38.3 Korea: KC XU103387-24003 US (UL) SGS 802543
<b>COMPATIBILITY</b>	Compatible with Orbea Ebike System Gen2 MC systems <a href="#">See compatibility table</a>



## CHARGING THE RANGE EXTENDER

### NOTICE

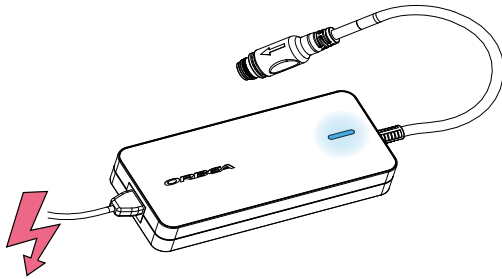
Completely charge the Range Extender before using it for the first time.

To extend battery life, charge the Range Extender as soon as possible after use.

Avoid leaving the charger continuously connected to the battery for long periods of time and monitor the charging of the battery so that you can disconnect the charger if you detect any anomaly such as smoke, a burning smell or fire. The RS smart charger is designed to stop the charging process when the battery is completely charged. This prevents damage to the cells and means you can charge the battery worry-free. However, it is always advisable to supervise the charging process to prevent damage if the charger does not operate properly.

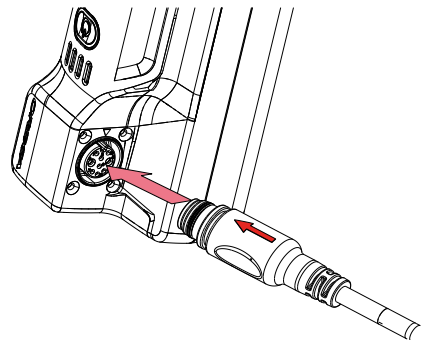
Lithium batteries are temperature-sensitive during the charging process. Always follow the charging, discharging and storage temperature ranges included in the Range Extender technical specifications table.

1



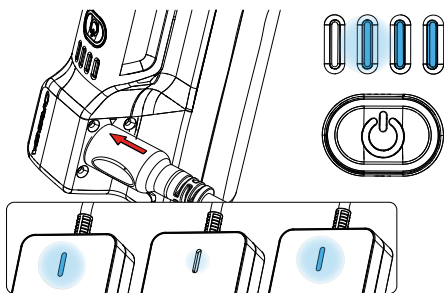
Plug the Smart Charger Gen2 into a socket. The charger LED will flash blue when the charger is not connected to the battery

2



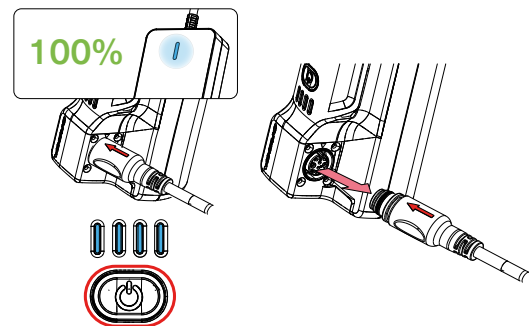
Connect the charger to the Range Extender, correctly aligning the charging port's pins with the pins on the charger's connector.

3



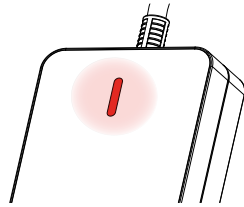
The charger's LED will light up in steady blue for 2 seconds and will then start to turn on and gradually fade off in a cyclical manner until the battery is fully charged. While the Range Extender is charging, the battery charge indicator LEDs will show the current charge level. The flashing LED shows the percentage (in 25% segments) that is being charged.

4



When the battery is fully charged, the LED on the charger will light up again in steady blue. You can check the charge level of the Range Extender by pressing the power button. Disconnect the charger from the charging port by carefully pulling on the charger connector.

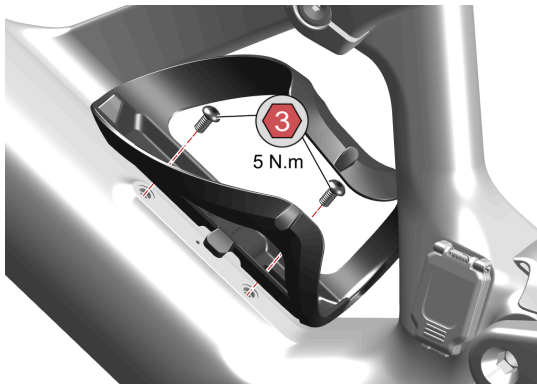
Continues next page >

**ERROR!**

If the LED on the charger lights up in red when the charger is plugged into a socket or during charging, there is a problem. Immediately disconnect the charger and see the charger troubleshooting section of this manual. If the problem persists, contact an authorised Orbea dealer.

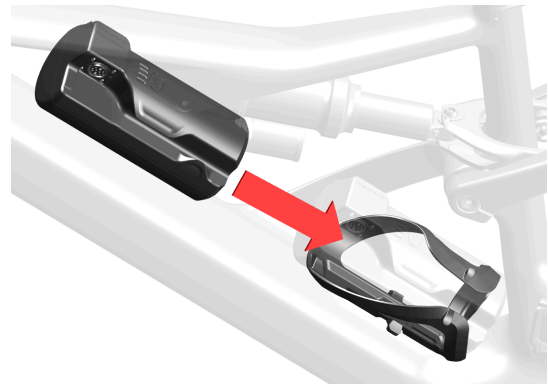
## MOUNTING THE RANGE EXTENDER

1



If the specific RS 210 Wh Range Extender mount is not fitted on a compatible bike, mount it using the original bolts installed on the frame (without using washers between the Range Extender mount and the frame).

2



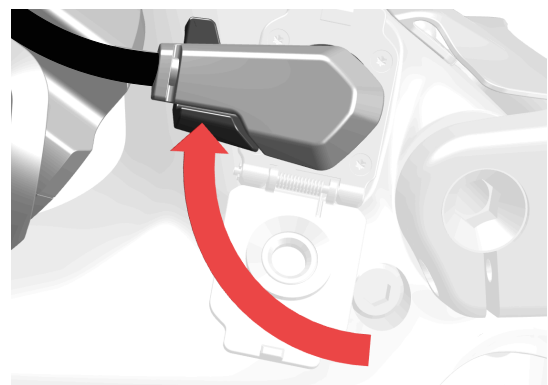
Insert the Range Extender battery onto the mount from the left side of the bike.

3



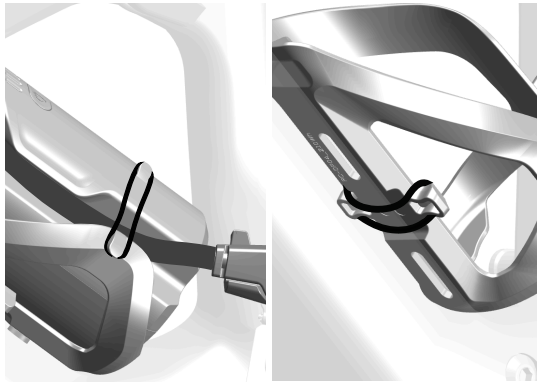
Install the end without a tab of the specific RS 210 Wh Range Extender connection cable to the external battery. Open the cover of the bike's charging point to connect the other end of the Range Extender cable. Open the security tab on the cable connector before making the connection and connect the cable to the charging point.

4



Once you have connected the cable to the charging point, close the safety tab on the connector to secure the connection.

5



Secure the battery to the holder with the included rubber band. When the Range Extender battery is not in use, the rubber band can stay in the bottom of the mount.

## OPERATION OF THE RANGE EXTENDER

---

### POWER DELIVERY TO THE MOTOR

---

The Range Extender powers the Shimano EP801 or EP6 directly. When using your Orbea bicycle compatible with the Range Extender connected, only the Range Extender will supply power to the motor until the Range Extender's charge is exhausted.

Once the Range Extender has run out, the internal battery will switch to providing power to the motor if it has any remaining charge. At this moment, the display, remote control or Orbea RS Toolbox data field will switch to showing the charge level of the internal battery only.

### CONNECTION TO THE BICYCLE

---

If you have connected the Range Extender to the bike and it is off, when you turn on the bicycle, the assistance system will recognise the external battery as part of it and only the Range Extender will provide power to the motor. You do not need to press the button on the Range Extender to turn it on.

If the bike was already on when you connected the Range Extender, the system will recognise the external battery as part of it and only the Range Extender will provide power to the motor. You do not need to press the button on the Range Extender to turn it on.

**TURN OFF THE RANGE EXTENDER CONNECTED TO THE BIKE:** When the Range Extender is connected to the bike and the bike is turned on, you can turn off the Range Extender by pressing the main button of the Range Extender for 3 seconds. In this case, the bike will remain on and the system will be powered solely by the internal battery.

It is not possible to turn the Range Extender back on by pressing the main button on the Range Extender while it is connected to the turned on bike. In this case you need to turn off the bicycle (with the Range Extender still connected) and turn the bicycle back on again for the system to recognise the external battery again.

If the Range Extender is disconnected from the powered on bike (having previously turned the Range Extender off) and you reconnect the Range Extender to the powered bike, the system will not recognise the Range Extender. The bike will need to be turned off and on again for the system to recognise the Range Extender.

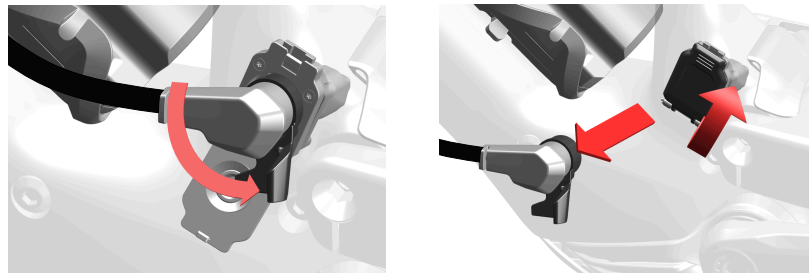
### DISCONNECTING THE RANGE EXTENDER

---

To disconnect the Range Extender from the bike, twist the locking tab on the Range Extender connection cable and carefully pull on the Range Extender cable connector. Once the cable has been disconnected, close the cover of the bike's charging point.

If the Range Extender is disconnected from the bicycle's charging point while it is on, the bicycle will turn off, and you need to turn the bicycle on again so that the system is powered solely by the internal battery.





## POWER LIMIT FUNCTION

### NOTICE

When the Range Extender is connected to the bike, the motor limits power delivery to match the current delivery characteristics of the Range Extender to prolong battery life. The assist features at each level and the option to change the assist level remain within the new power limit.

This motor power delivery limit could be noticeable at higher assist levels.

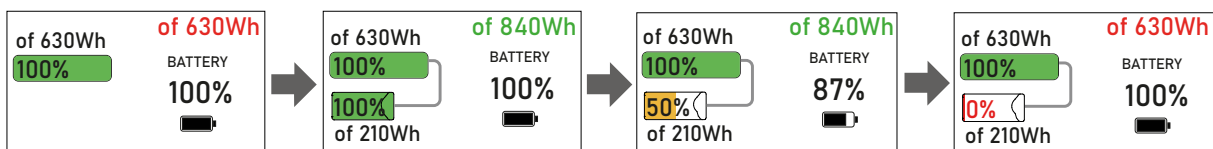
Orbea recommends not modifying the assist and torque characteristics of the assist levels upwards using the Shimano Etube application. Motor settings on Range Extender compatible bikes are optimised for use with the internal battery and Range Extender.

## CHARGE LEVEL DISPLAY

### JOINT CHARGE LEVEL

With the Range Extender connected to the bicycle (see Connection section), the system will calculate the total capacity of both batteries and the information on the remaining charge of the system will be given by the sum of the charge levels and capacities of both batteries. The combined battery charge level will be visible on the Shimano remote control or displays and/or the Orbea RS Toolbox data field for Garmin devices.

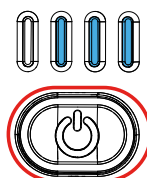
When the Range Extender is connected to the bicycle and runs out of charge, the system will once again use the available display mode (displays, switch unit or RS Toolbox) to only show the available charge of the internal battery, taking into account the total capacity of the internal battery and not of the internal battery and Range Extender as a whole.



*\* This graph shows the performance of the Range Extender together with the Orbea RS 630 Wh internal battery. Internal batteries with different capacities will give different joint capacity results.*

### RANGE EXTENDER CHARGE LEVEL SEPARATELY

Press the main button on the Range Extender battery once to check the charge level. The LEDs will light up for 5 seconds in 25% segments to show the current charge level, from right to left.



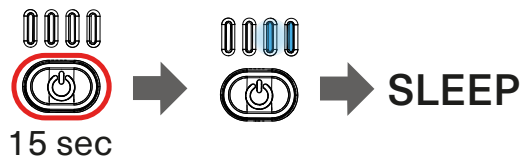
## STORING THE RANGE EXTENDER

### NOTICE

If you plan to store the Range Extender for a long time, charge the battery to about 50% of its capacity before storing it and check the charge level every 3 months (re-charge it to 50%). Never let the charge level drop below 10% in order to avoid damage to the cells.

### SLEEP MODE

If you are not going to use the Range Extender for an extended period, Orbea recommends putting the Range Extender in Sleep mode to protect the battery. Press and hold the main button on the Range Extender for 15 seconds. LEDs 1 and 2 will light up alternately and then go out. The Range Extender will be in sleep mode. To reactivate it, connect the Smart Charger Gen2 to the Range Extender (with the charger plugged in). It will reactivate immediately and begin charging.



**AUTOMATIC SLEEP MODE:** If the Range Extender (charging) voltage stays below 31V for 7 days or below 35V for 3 months, the Range Extender will automatically enter Sleep mode. To reactivate the Range extender, connect the Smart Charger Gen2 to the Range Extender (with the charger plugged in). It will reactivate immediately and begin charging.

### NOTICE

Before using the Range Extender, especially if it has not been used recently, it is advisable to press the main button on the Range Extender to check its status. If, when you press the main button, the LEDs light up showing the charge level, the Range Extender is operational. If the LEDs do not light up, the Range Extender's battery may be dead or the Range Extender may have entered Sleep mode. Connect the Smart Charger Gen2 to the Range Extender (with the charger plugged in). It will reactivate immediately and begin charging.

## CHECK THE HEALTH STATE OF THE RANGE EXTENDER

The state of health (service life) of lithium-ion batteries is reduced by charging cycles and usage conditions over the life of the battery.

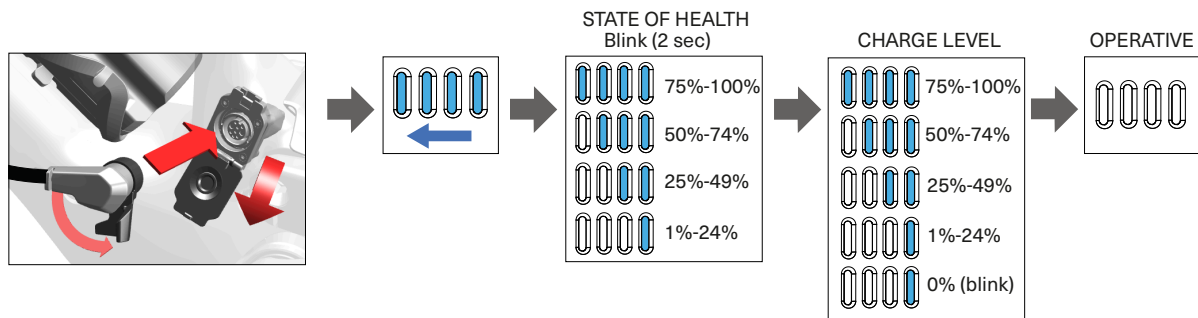
Under normal use conditions, following the conditions and temperature ranges for use, charging and storage, Orbea Ebike Systems batteries will have their useful life reduced by approximately 20% after 500 complete charging cycles

### NOTICE

This battery health data is given for ideal usage conditions. It can be affected by usage conditions, charging and storage in very cold temperatures, by storing the battery for long periods of time without topping up the charge level, by repeatedly using the battery at very low charge levels, etc.

To check the state of your Range Extender, connect the battery to a compatible bicycle already on or turn on the bicycle with the Range Extender connected.

The Range Extender's four LEDs will sweep to the left and then flash to show the battery state of health for 2 seconds. They will then remain on steadily to show the current battery charge level, and will then turn off.



## TROUBLESHOOTING

If the Range Extender does not charge or does not supply power to the motor, press the Range Extender main button once. If an error is detected in the battery, the LEDs will display the error code. See the table below to find out about the error and how to solve it.

**NOTICE**

When the following table mentions "Contact Orbea", this applies if a dealer is performing the battery diagnostics. If an end user is unable to resolve an error or malfunction by following the instructions on the following table, he/she should contact an authorised Orbea dealer, who will process the claim with Orbea.

CONDITION	POSSIBLE CAUSE	SOLUTION
No power to the motor	The cable is not properly connected	Connect the cable correctly as described in the user manual
The battery does not charge	Poor charger connection or problem with mains socket	Check the charger connection. See charger problem solutions
	100% charged	The battery is operating

FLASHES	LEDs	LED BEHAVIOUR	ERROR	SOLUTION
		Flash	Voltage/charge level too low. The Range Extender switches off.	Charge the battery with the RS Gen2 Smart Charger
		Flash	Temperature protection. The Range Extender switches off.	Wait for the temperature to be within the operating range
		Flash once a second	Overcurrent protection. The bike turns off.	Wait 30 seconds before using the battery again
		Flash 5 times a second	Severe overcurrent or short-circuit protection. The bike turns off.	Disconnect the external battery. Inspect the connectors. Connect the external battery switch on the system.
		Flash	Cell or hardware error	Contact Orbea

If the problem persists, contact Orbea

## SMART CHARGER 2A-4A GEN2

**NOTICE**

See the technical specifications of the Smart Charger Gen2 in the Ebike Systems Gen 2 Technical Specifications section of this manual.  
 See charger warnings and usage recommendations in the Assist System Usage Warnings section of this manual.  
 See [here](#) for the compatibility of Orbea Ebike System components with Orbea ebike models.

### VARIABLE CHARGING CURRENT

The RS Smart Charger recognises which battery it is connected to (internal battery or Range Extender) and adapts the charging current accordingly.

The charging current for the internal battery is 4A (100-240V). The charging current of the Range Extender is 2A (100-240V). The charging speed of the batteries up to a charge level of 80% is higher, and then it slows down until the 100% charge level is reached.

### USING THE RS GEN2 SMART CHARGER

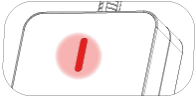
**NOTICE**

See the battery charging section of this manual for the method of using the Smart Charger Gen2.

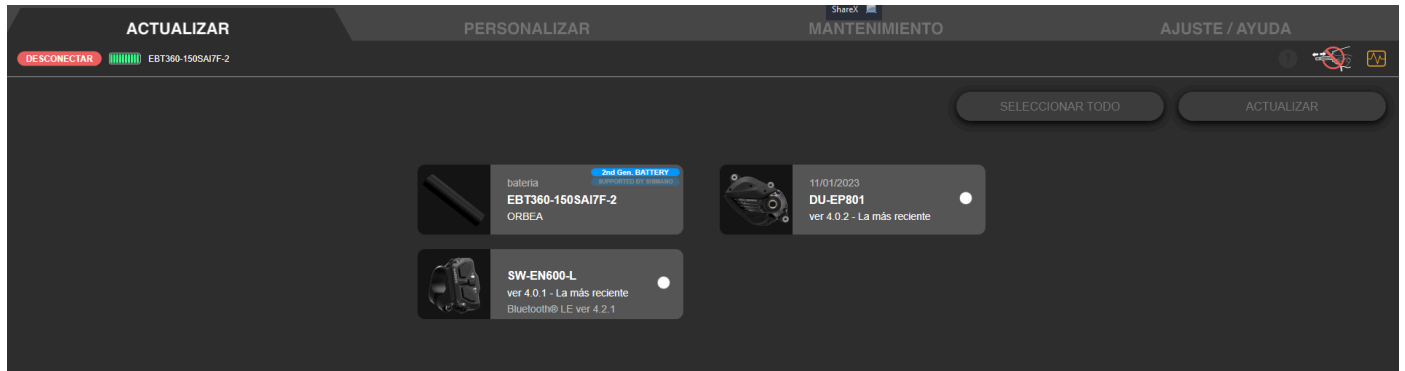
#### MEANING OF THE SMART CHARGER LED

LED	BEHAVIOUR	STATE
	Blue LED flashing	Charger receiving power but not connected to the battery
	Blue LED cycles on and off	Charger charging the battery
	LED steady blue	Charge completed
	Steady red LED	Error. See the error resolution table

## TROUBLESHOOTER SMART CHARGER RS GEN2

LED	POSSIBLE ERROR Follow the solutions in descending order	SOLUTION
	Protection for current which is too high	Disconnect the battery - Inspect the cable and charging port for dirt, moisture or foreign objects. - If the problem persists, contact an Orbea dealer.
	Short-circuit protection	- Disconnect the battery. - Inspect the cable and charging port for dirt, moisture or foreign objects. - If the problem persists, contact an Orbea dealer.
	Over-temperature protection	- Wait until the charger temperature is within the charging range. - If the problem persists, contact an Orbea dealer.
	Inaction protection	- The amount of time connected to the power supply or battery without effectively charging far exceeds the set limit.
	Abnormal communication protection	- Contact an Orbea dealer
	Protection for voltage which is too high.	- The battery voltage is too high - Contact an Orbea dealer.

## CONNECTION TO ETUBE PROFESSIONAL. INFORMATION FOR DISTRIBUTORS.

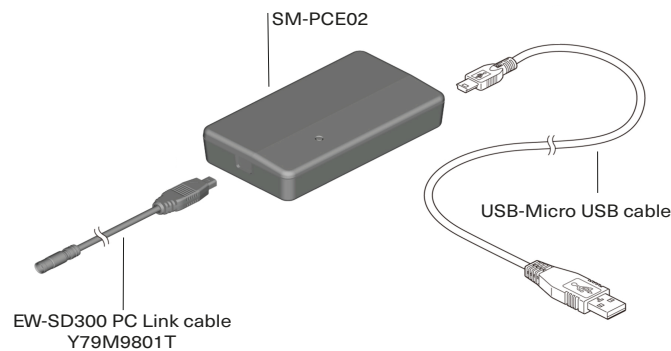


### NOTICE

The process of connecting and troubleshooting the Shimano STEPS system using the Etube Professional tool must be performed by an authorised dealer. As a user, remember that you can use the Etube Project Cyclist mobile app to connect your bicycle, customise the system and perform certain types of troubleshooting.

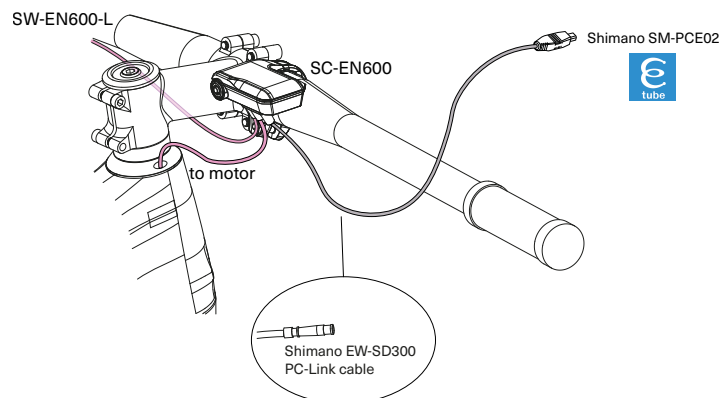
To access all Shimano EP801 information on Etube, update your Etube Project 5 software to the latest version: <https://bike.shimano.com/en-EU/e-tube/project/forwindows.html>

The Shimano SM-PCE02 interface is required to connect the Shimano EP801/EP6 electrical system to Etube Professional. It is also possible to connect and troubleshoot components individually. Please see the E-Tube Professional tool manual: <https://si.shimano.com/en/um/7J4WA>



### CONNECTION OF ASSEMBLIES WITH THE SC-EN600 DISPLAY AND MECHANICAL DRIVETRAIN

In the assembly option with the SC-EN600 and mechanical drivetrain (no Di2), you can connect the EW-SD300 standard PC-Link cable directly to the free port on the display and connect the PC-Link cable to the SM-PCE02 interface.

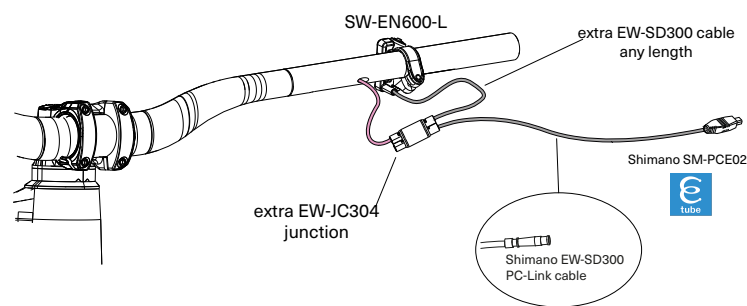


## CONNECTING OTHER ASSEMBLY OPTIONS

- Assemblies with SC-EN600 display and Di2 electronic drivetrain
- Assemblies without display and Di2 electronic drivetrain
- Assemblies without display and mechanical drivetrain (non-Di2)

For these assembly options it is necessary to create a free connection point to connect the entire system to the SM-PCE2 interface.

To do this, disconnect the Di2 SD300 cable from the SW-EN600-L switch unit and use a Shimano EW-JC304 four-port connector and an extra SD300 cable of any length to create a free port in the system. Connect the EW-SD300 PC-Link cable to the free port of the EW-JC304 connector, and this connector to the SM-PCE2 interface.



## INSTALLATION OF ELECTRIC DRIVETRAINS AND BIKES WITH MECHANICAL CONFIGURATION AS STANDARD

If an electric bike with an EP801/EP6 motor that was originally fitted by Orbea with a mechanical transmission, the derailleur is replaced with a Di2 compatible electronic derailleur, you need to change the configuration of the bike for it to recognise the new components. If you do not change the configuration, the system will alert you of a component error when starting the bike and will not provide electrical assistance.

This configuration change cannot be done by a user nor by a distributor connecting the bike to the Etube Cyclist or Professional respectively. The distributor must contact Orbea or Shimano to remotely make the configuration change to the bike..

## ORBEA EBIKE SYSTEMS GEN2 BATTERIES IN ETUBE PROFESSIONAL

The Orbea Gen2 internal battery is visible as part of the Shimano EP801/EP6S system when the system is connected to Etube Professional using the Shimano SM-PCE02 diagnostic tool

You can use the SM-PCE02 diagnostic tool, to access relevant information about the battery, such as the firmware version and charging cycles, under the Maintenance tab.

The Orbea Gen2 internal batteries are not diagnosable using E-Tube Professional. If there is a problem with the electrical system, use E-Tube Professional to check that the problem is not in some other Shimano component of the electrical system. Contact Shimano to provide a system report through a claim. If Shimano informs you that the problem is related to the internal battery, contact Orbea via a claim.

## CONNECTION OF LIGHTS TO THE SHIMANO EP801/EP6 RS MOTOR

---

### NOTICE

Rise is not designed for the use of lights connected to the motor, so the user and/or Shimano dealer who wishes to perform this installation is responsible for it if it is carried out.

**WARNING:** Using lights connected to the motor can considerably reduce your bicycle's range.

See the wiring section of this manual for options related to SIC seals of the HS02 headset collector and options related to the front light cable outlet, should you wish to install it. Orbea's Rise assemblies do not have lights. Orbea is not responsible for the compatibility of aftermarket assemblies installed by users or a dealer. Make sure that the components are compatible before installing them.

The Shimano EP801/EP6 motor allows lights to be connected to the ports provided on the motor itself (bare wire).

Rise is delivered with the motor light ports disabled. However, an authorised Shimano dealer can enable the light ports via Etube Professional by connecting the bike to the SM-PCE02 interface.

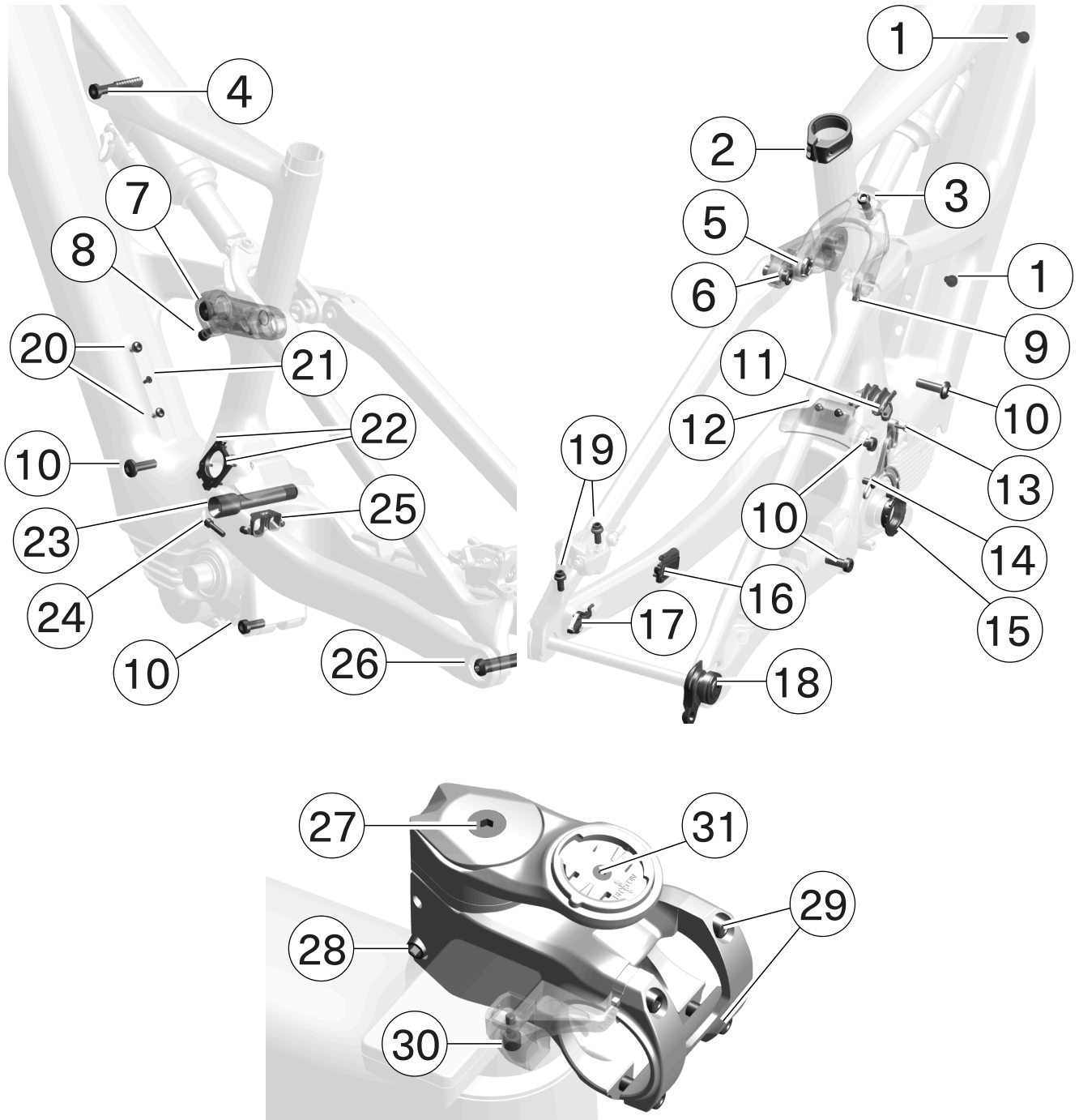
It is possible to choose whether the lights will always be on when the bike is switched on or whether the user can choose to switch them on via the display.

### NOTICE

**WARNING:** There are laws that could require an ebike with lights to automatically set aside a percentage of the battery charge to power the lights for a set amount of time when the battery is running low by switching off the motor assist. Always follow the regulations of the territory where you use your bicycle.



# 23 TIGHTENING TORQUES. OVERVIEW



NUMBER	COMPONENT	TOOL	METRICS	TIGHTENING TORQUE
1	Internal battery fixing bolts	Allen key	4 mm	5 Nm
2	Seatpost clamp	Allen key	4 mm	5 Nm
3	Shock fixing to LT yoke	Allen key	6 mm	8 Nm

NUMBER	COMPONENT	TOOL	METRICS	TIGHTENING TORQUE
	Fixing shock to SL alloy yoke	Allen key	5 mm	8 Nm
4	Shock fixing to frame	Allen key	5 mm	10 Nm
5	Shock yoke-linkage axles	Allen key	6 mm	10 Nm
6	Linkage to seatstay axles	Allen key	5 mm	10 Nm
7	Left linkage pre-load bolt	Allen key	4 mm	4 Nm
8	Left linkage pinch bolt	Allen key	5 mm	10 Nm
9	LT yoke pinch bolts	Allen key	3 mm	1 Nm
10	Motor to frame attachment bolts	Allen key	6 mm	12 Nm
11	Motor housing cable guide bolts	Allen key	2 mm	2 N.m
12	Spoiler protector bolts (not on Rise Hydro)	—	—	—
13	Chainguide nut-bolt	Allen key	2.5 mm	2.5 Nm
14	Chainguide-motor bolts	Allen key	4 mm	4 Nm
15	Chainring lockring	TL-FC430	4 mm	35-45 Nm
16	Left chainstay cable guide port bolt	Allen key	2 mm	2 N.m
17	Speed sensor bolts	Torx	T2	2 N.m
18	Sram UDH derailleur hanger screw (reverse thread)	Allen key	8 mm	25 Nm
19	Brake caliper bolts	Allen key	5 mm	6-8 Nm
20	Bottle holder bolts	Allen key	3 mm	5 Nm
21	Bottle holder internal plate bolt	Allen key	2 mm	2 N.m
22	Charging point cover bolts	Torx	T1.5	0.5 Nm
23	Main swingarm pivot axle	Allen key	10 mm	20 Nm
24	Left chainstay main pivot pinch bolt	Allen key	4 mm	6 Nm
25	Cable Pass cable guide bolts	Allen key	2 mm	2 N.m
26	Rear wheel axle	Allen key	6 mm	10 Nm
27	MC stems preload bolt	Allen key	4 mm	8 Nm
28	MC stem fork fixing bolts	Allen key	4 mm	6 Nm
29	MC10/MC20 stem faceplate bolts	Allen key	4 mm	6 Nm
	MC11 stem faceplate bolts	Allen key	4 mm	5 Nm
30	MC11 stem display-plate fixing bolt	Allen key	2.5 mm	0.6 Nm
31	CM-05 GPS mount adapter bolt	Allen key	2 mm	2 N.m

# 24 RISE HYDRO 2025 SPARE PARTS

See the full Orbea spare parts catalogue on our web site:

[www.orbea.com/gb-en/gear/spare-parts/](http://www.orbea.com/gb-en/gear/spare-parts/)

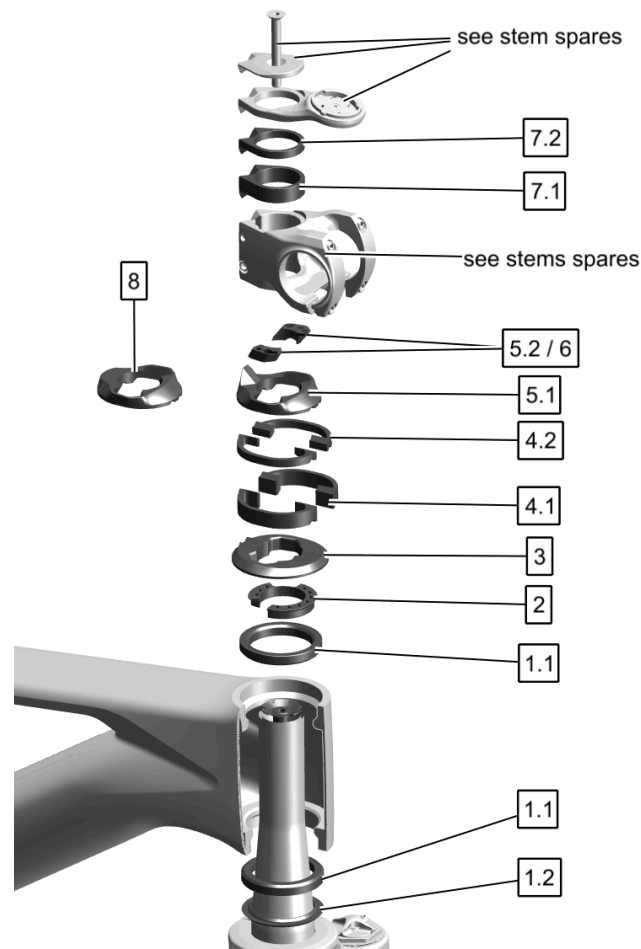
Or go to all Rise Hydro spare parts directly:

[Rise Hydro LT 2025 Spare parts](#)




[Rise Hydro SL 2025 Spare parts](#)








# HEADSET

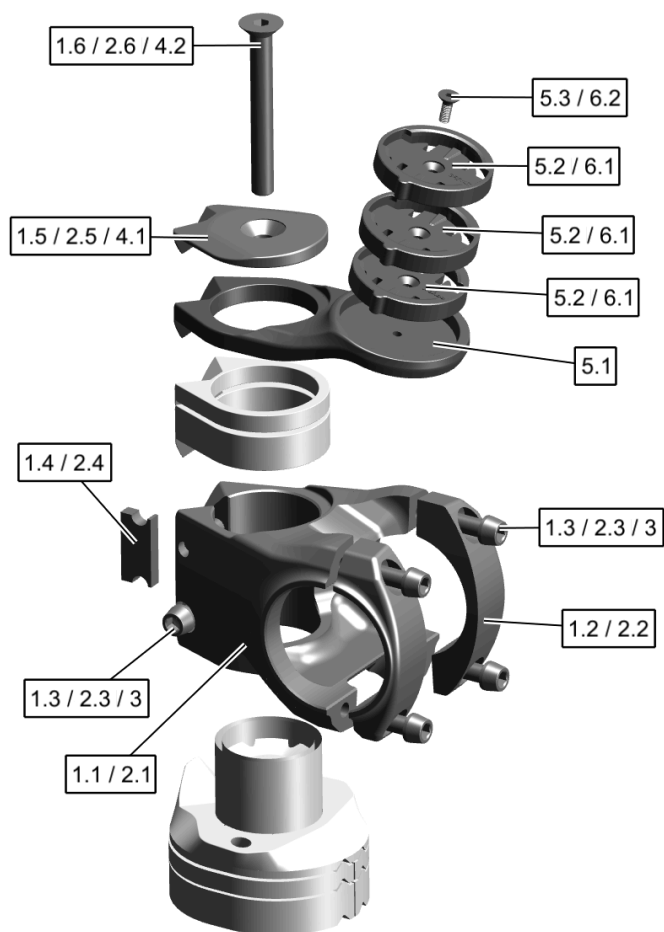


Click on the part number to buy online



<b>1. HEADSET BEARINGS HS02 + RACE</b>		<b>PART No.: XC59</b>
		<b>QTY</b>
	1.1. Fork crown race 1.5 45°	1
	1.2. Headset bearing 1.5 (52 x 40 x 7 mm. 45°/45°)	2
<b>2. ALU COMPRESSION RING 1-1/8 HS02-01</b>		<b>PART No.: XC51</b>
		<b>QTY</b>
	2 Aluminium compression ring 1-1/8 HS02-01	1
<b>3. HS02-14 HEADSET CAP. REGULAR STACK</b>		<b>PART No.: XC89</b>
		<b>QTY</b>
	3 HS02-14 Headset cap	1





<b>4. HS02 ALU SPLIT HEADSET SPACER KIT</b>		<b>PART No.: XC55</b>
		<b>QTY</b>
	<b>4.1</b> HS02-04 Split headset spacer 10 mm	2
	<b>4.2</b> HS02-03 Split headset spacer 5 mm	2
<b>5. COLLECTOR SIC SPB HS02-05. REGULAR STACK</b>		<b>PART No.: XC56</b>
		<b>QTY</b>
	<b>5.1</b> SIC HS02-05 manifold. Regular Stack.	1
	<b>5.2</b> SIC HS02 manifold grommet kit (L1, L2, L3, R1, R2, R2e, R3)	1
<b>6. SIC COLLECTOR HS02 GROMMET KIT</b>		<b>PART No.: XC57</b>
		<b>QTY</b>
	<b>6.1</b> SIC L1 HS02-42 grommet. 4 mm + 4 mm blind	1
	<b>6.2</b> SIC L2 HS02-43 grommet. 4 mm + 4 mm	1
	<b>6.3</b> SIC L3 HS02-44 grommet. 4 mm + 4 mm + 3 mm	1
	<b>6.4</b> SIC R1 HS02-45 grommet. 5 mm	1
	<b>6.5</b> SIC R2 HS02-46 grommet. 4 mm + 5 mm	1
	<b>6.6</b> SIC R2e HS02-47 grommet. 3 mm + 5 mm	1
	<b>6.7</b> SIC R3 HS02-48 grommet. 4 mm + 3 mm + 3 mm	1
<b>7. HS02 HEADSET SPACER KIT. ROUND</b>		<b>PART No.: XC58</b>
		<b>QTY</b>
	<b>7.1</b> HS02-8 headset spacer (10 mm)	2
	<b>7.2</b> HS02-7 headset spacer (5 mm)	2
<b>8. COLLECTOR SIC NO-SPB HS02-06. UNIVERSAL</b>		<b>PART No.: XC60</b>
For use of non-OC MC HS02 standard stems in HS02 headset		<b>QTY</b>
	<b>8.1</b> SIC HS02-06 Universal manifold. Regular Stack.	1
	<b>8.2</b> SIC HS02 manifold grommet kit (L1, L2, L3, R1, R2, R2e, R3)	1

## OC MC10/MC20 STEMS



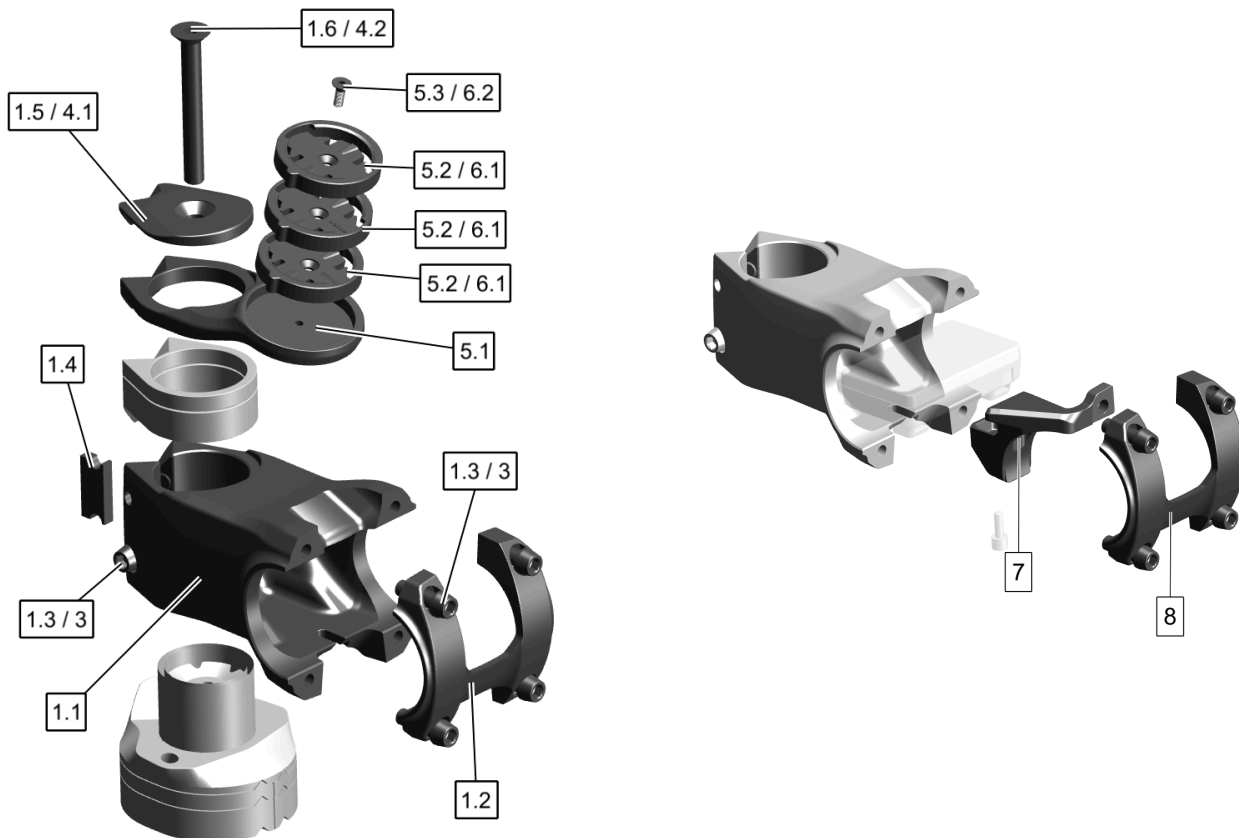
Click on the part number to buy online

1. OC ST-MC10 STEM		PART NO.: C025
		QTY
	1.1. OC ST-MC10 Stem (35 mm - 40 mm - 50 mm)	1
	1.2. OC ST-MC10 stem faceplate	1
	1.3 M5x15 R8 Tapered bolt. CrMo	6
	1.4 Steerer clamp limit ST-MC10-11. 20 mm x 3.75 mm	1
	1.5 HS02-31 Topcap. ST-MC10/20	1
	1.6 Bolt M6x50 DIN 7991	1
2. OC ST-MC20 STEM		PART NO.: C026
		QTY
	2.1. OC ST-MC20 Stem (35 mm - 40 mm - 50 mm)	1
	2.2. OC ST-MC20 stem faceplate	1
	2.3 M5x15 R8 Tapered bolt. CrMo	6
	2.4 Steerer clamp limit ST-MC10-11. 20 mm x 3.75 mm	1
	2.5 HS02-31 Topcap. ST-MC10/20	1
	2.6 Bolt M6x50 DIN 7991	1



<b>3. OC STEM BOLT KIT</b>		<b>PART No.: XC78</b>	
Compatible with all OC stems except ST-RP21		<b>QTY</b>	
	<b>3</b>	M5x15 R8 Tapered bolt. CrMo	<b>6</b>
<b>4. ST-MC10/20 TOPCAP. HS02-31</b>		<b>PART No.: XC79</b>	
		<b>QTY</b>	
	<b>4.1</b>	HS02-31 Topcap. ST-MC10/20	<b>1</b>
	<b>4.2</b>	Bolt M6x50 DIN 7991	<b>1</b>
<b>5. OC CM-05 COMPUTER MOUNT</b>		<b>PART NO.: C052</b>	
For OC ST-MC stems (Mountain Control)		<b>QTY</b>	
	<b>5.1</b>	OC CM-05 cycling computer mount body	<b>1</b>
	<b>5.2</b>	CT-02 Adapter kit for Garmin/Sigma, Wahoo, Bryton	<b>3</b>
	<b>5.3</b>	M3x8 DIN 7991 bolt	<b>1</b>
<b>6. SIC COLLECTOR HS02 GROMMET KIT</b>		<b>PART NO.: C054</b>	
		<b>QTY</b>	
	<b>6.1</b>	CT-02 Adapter kit for Garmin/Sigma, Wahoo, Bryton	<b>3</b>
	<b>6.2</b>	M3x8 DIN 7991 bolt	<b>1</b>

## OC MC11 STEM






The OC ST-MC11 stem is not offered on Rise Hydro range mounts, but is compatible with the model.



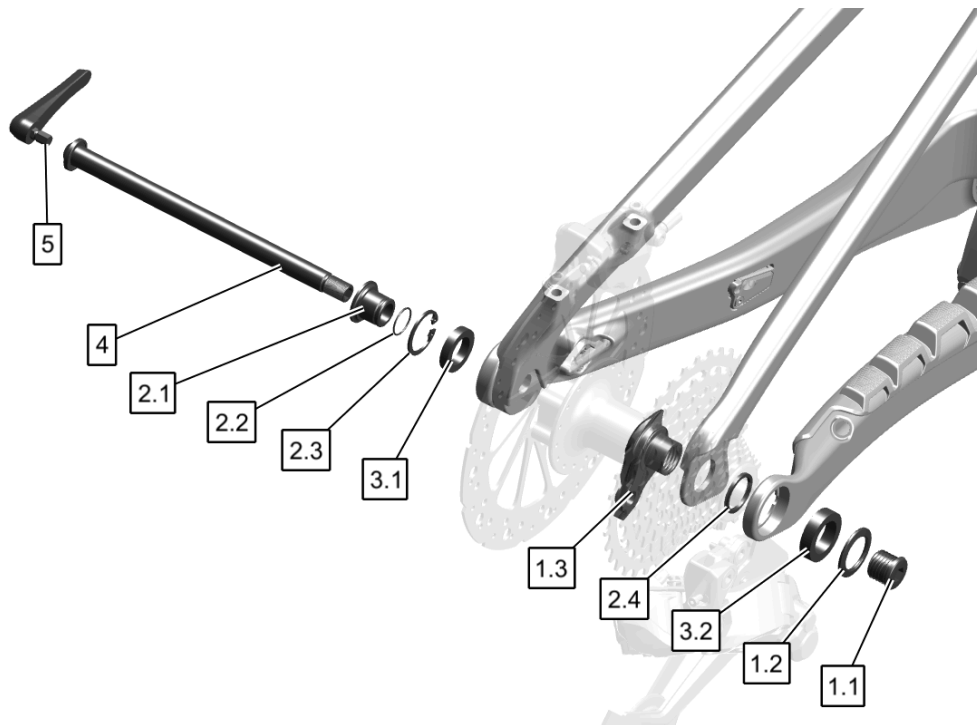
[Click on the part number to buy online](#)

<b>1. OC ST-MC11 STEM</b>		<b>PART NO.: C074</b>
		<b>QTY</b>
	<b>1.1.</b> OC ST-MC11 Stem (35mm - 40mm - 50mm, 60mm)	1
	<b>1.2.</b> OC ST-MC11 stem faceplate (not compatible with display mount)	1
	<b>1.3</b> M5x15 R8 Tapered bolt. CrMo	6
	<b>1.4</b> Steerer clamp limit ST-MC10-11. 20 mm x 3.75 mm	1
	<b>1.5</b> HS02-31 Topcap. ST-MC10/20	1
	<b>1.6</b> Bolt M6x50 DIN 7991	1
<b>3. OC STEM BOLT KIT</b>		<b>PART No.: XC78</b>
Compatible with all OC stems except ST-RP21		<b>QTY</b>
	<b>3</b> M5x15 R8 Tapered bolt. CrMo	6








<b>4. ST-MC10/20 TOPCAP. HS02-31</b>			<b>PART No.: XC79</b>
			<b>QTY</b>
	<b>4.1</b>	HS02-31 Topcap. ST-MC10/20	1
	<b>4.2</b>	Bolt M6x50 DIN 7991	1
<b>5. OC CM-05 COMPUTER MOUNT</b>			<b>PART NO.: C052</b>
For OC ST-MC stems (Mountain Control)			<b>QTY</b>
	<b>5.1</b>	OC CM-05 cycling computer mount body	1
	<b>5.2</b>	CT-02 Adapter kit for Garmin/Sigma, Wahoo, Bryton	3
	<b>5.3</b>	M3x8 DIN 7991 bolt	1
<b>6. SIC COLLECTOR HS02 GROMMET KIT</b>			<b>PART NO.: C054</b>
			<b>QTY</b>
	<b>6.1</b>	CT-02 Adapter kit for Garmin/Sigma, Wahoo, Bryton	3
	<b>6.2</b>	M3x8 DIN 7991 bolt	1
<b>7. ST-MC11 STEM SC-EN600 DISPLAY MOUNT</b>			<b>PART NO.: XF83</b>
			<b>QTY</b>
	<b>7</b>	ST-MC11 stem SC-EN600 display mount	1
<b>8. ST-MC11 SC-EN600 FACEPLATE</b>			<b>PART NO.: XF84</b>
For mounting the SC-EN600 (XF83) display mount			<b>QTY</b>
	<b>8</b>	ST-MC11 SC-EN600 Faceplate	1

## REAR AXLE

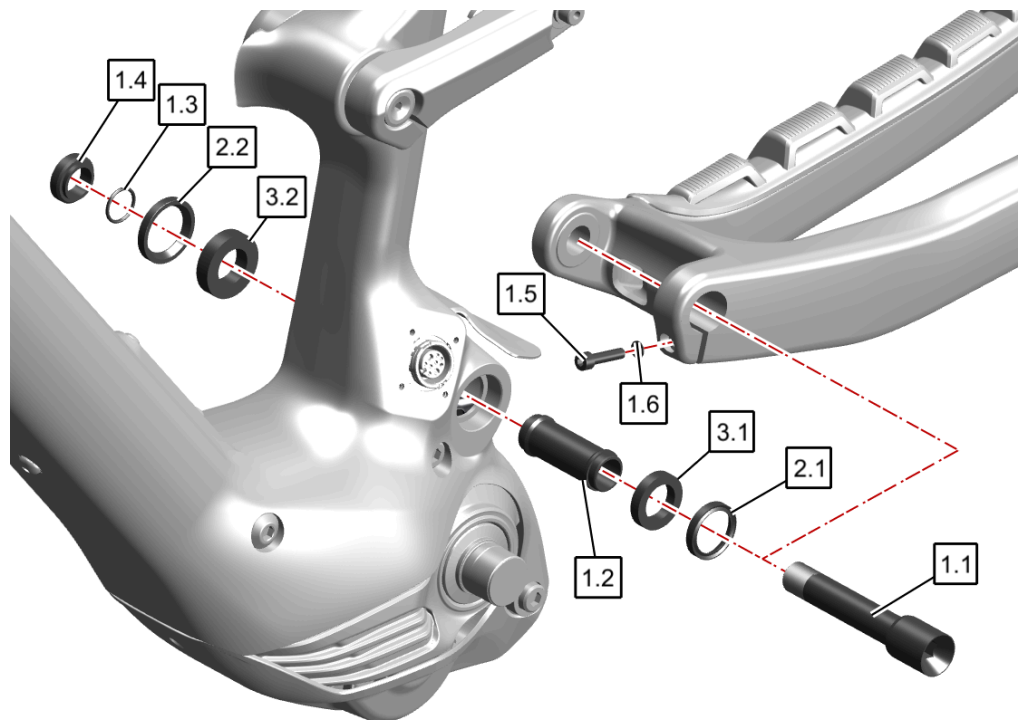


Click on the part number to buy online

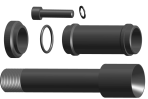


<b>1. SRAM UDH X12 DERAILLEUR HANGER. FS OPTION</b>		<b>PART No.: X004</b>
		<b>QTY</b>
	1.1. Sram UDH derailleur hanger bolt	1
	1.2. Sram UDH derailleur hanger washer. FS option	1
	1.3. Sram UDH X12 derailleur hanger	1
<b>2. REAR AXLE HARDWARE KIT</b>		<b>PART No.: XA50</b>
		<b>QTY</b>
	2.1. Occam 24 chainstay-linkage insert	1
	2.2. 15 x 1 O ring	1
	2.3. SB 26 Ring	1
	2.4. UDH spacer	1
<b>3. REAR AXLE BEARING KIT</b>		<b>PART No.: XA16</b>
		<b>QTY</b>
	3.1. Enduro Max 20307 bearing	1
	3.2. Enduro Max 6803 bearing	1
<b>4. WHEEL 12x184 AXLE (1.0X15) HOLLOW</b>		<b>PART No.: XA38</b>
		<b>QTY</b>
	4. Thru-axle wheel 12x171mm (thread 1.0x13mm). Hollow	1

5. REAR AXLE CAM			PART No.: XD83
			QTY
	5	Rear axle cam 6 mm Allen	1

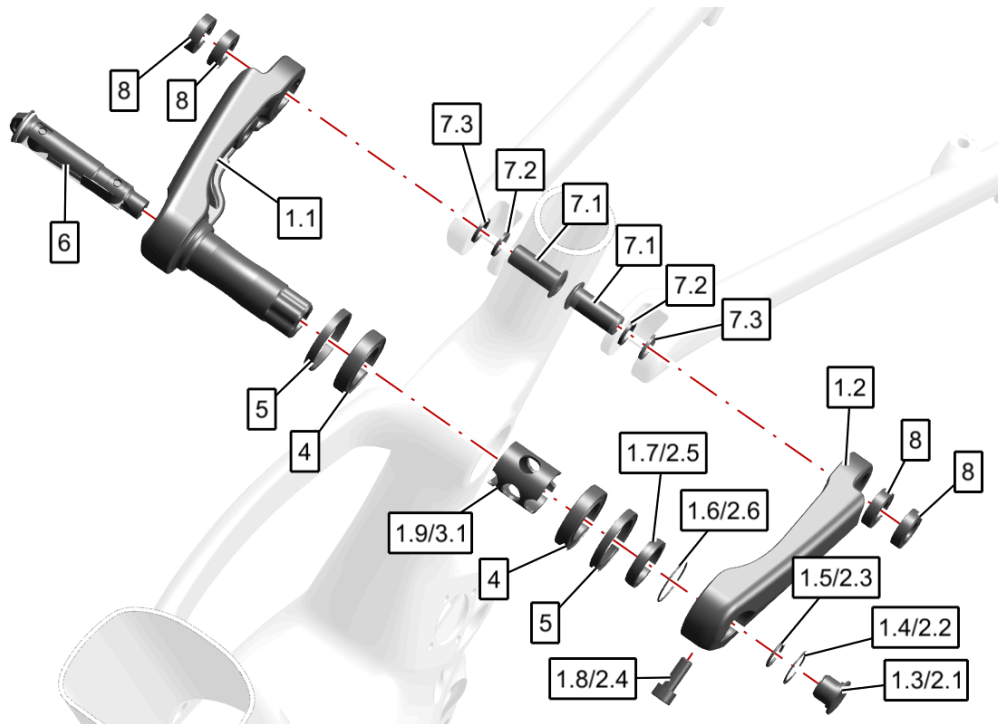
## MAIN SWINGARM PIVOT POINT





[Click on the part number to buy online](#)





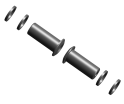

<b>1. RISE 25 MAIN PIVOT POINT HARDWARE KIT</b>		<b>PART NO.: XF86</b>
		<b>QTY</b>
	<b>1.1.</b> Rise 25 main pivot axle	1
	<b>1.2.</b> Rise 25 pivot bearing spacer	1
	<b>1.3</b> 14 x 1.5 mm O ring	1
	<b>1.4</b> Main pivot internal bushing	1
	<b>1.5</b> M5x20 DIN912 stainless bolt	1
	<b>1.6</b> 5x8x0.5 washer	1
<b>2. MAIN PIVOT POINT SEAL KIT</b>		<b>PART No.: XA20</b>
		<b>QTY</b>
	<b>2.1</b> Enduro SE 20x26x4VG seal	1
	<b>2.2</b> Enduro SE 20x26x4VG seal	1
<b>3. MAIN PIVOT POINT BEARING KIT</b>		<b>PART No.: XA19</b>
		<b>QTY</b>
	<b>3.1</b> Enduro Max 6803 17x26x5 bearing	1
	<b>3.2</b> Enduro Max 6803 17x26x5 bearing	1

## LINKAGE

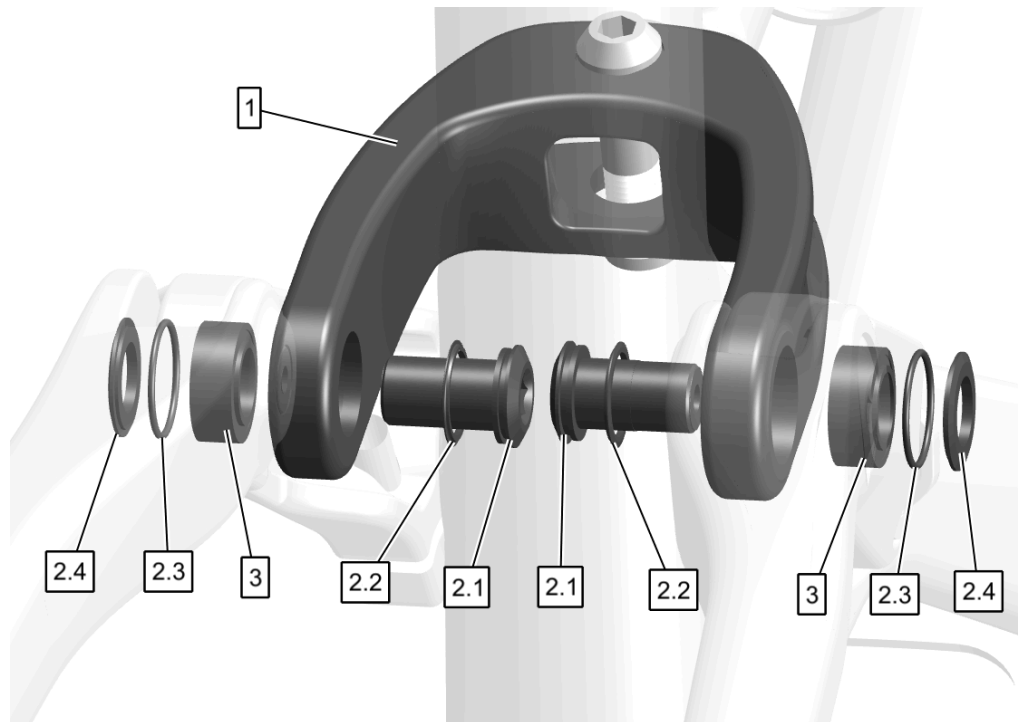


Click on the part number to buy online




<b>1. RISE 25 LINKAGE</b>		<b>PART NO.: XF87</b>
Does not include bearings		<b>QTY</b>
	<b>1.1</b> Rise 2025 right linkage+axle	1
	<b>1.2</b> Rise 2025 right linkage	1
	<b>1.3</b> Linkage pre-load bolt with magnet	1
	<b>1.4</b> 14.5x18x0.5 stainless washer	1
	<b>1.5</b> 12x1 mm O ring	1
	<b>1.6</b> O-ring (included in 1.7)	1
	<b>1.7</b> Link spacer bushing	1
	<b>1.8</b> M6x16mm DIN 912 stainless bolt	1
	<b>1.9</b> FT Rise 25 bearing spacer	1
<b>2. LINKAGE HARDWARE KIT</b>		<b>PART No.: XC52</b>
		<b>QTY</b>
	<b>2.1</b> Linkage pre-load bolt with magnet	1
	<b>2.2</b> 14.5x18x0.5 stainless washer	1
	<b>2.3</b> 12x1 mm O ring	1
	<b>2.4</b> M6x16mm DIN 912 stainless bolt	1
	<b>2.5</b> Link spacer bushing	1
	<b>2.6</b> O-ring (included in 2.5)	1

<b>3. FT BEARING SPACER</b>		<b>PART NO.:</b> XG15
		<b>QTY</b>
	<b>3.1</b> FT Rise 2025 bearing spacer	1
<b>4. LINKAGE-FRAME PIVOT POINT BEARING KIT</b>		<b>PART No.:</b> XA25
		<b>QTY</b>
	<b>4</b> Enduro Max 6804 20x32x7 Bearing	2
<b>5. LINKAGE-FRAME SEAL KIT</b>		<b>PART No.:</b> XA26
		<b>QTY</b>
	<b>5</b> Enduro SE 25x32x4VG seal	2
<b>6. OC FLP Multitool MT-20, Hex 2, 3, 4, 5</b>		<b>PART No.:</b> XA14
		<b>QTY</b>
	<b>6</b> OC FLP Multitool MT-20, Hex 2, 3, 4, 5	1
<b>7. RISE H 25 LINKAGE-SEATSTAY HARDWARE KIT</b>		<b>PART NO.:</b> XG10
Position the small spacer on the outside and the large spacer on the inside of the linkage.		<b>QTY</b>
	<b>7.1</b> Rise 25 linkage-seatstay axle	2
	<b>7.2</b> Internal spacer.	2
	<b>7.3</b> 10x13x1.5 mm AL6082 washer	2
<b>8. LINKAGE-SEATSTAY BEARING KIT</b>		<b>PART No.:</b> XA24
		<b>QTY</b>
	<b>8</b> Enduro Max 6800 10x19x5 bearing	4

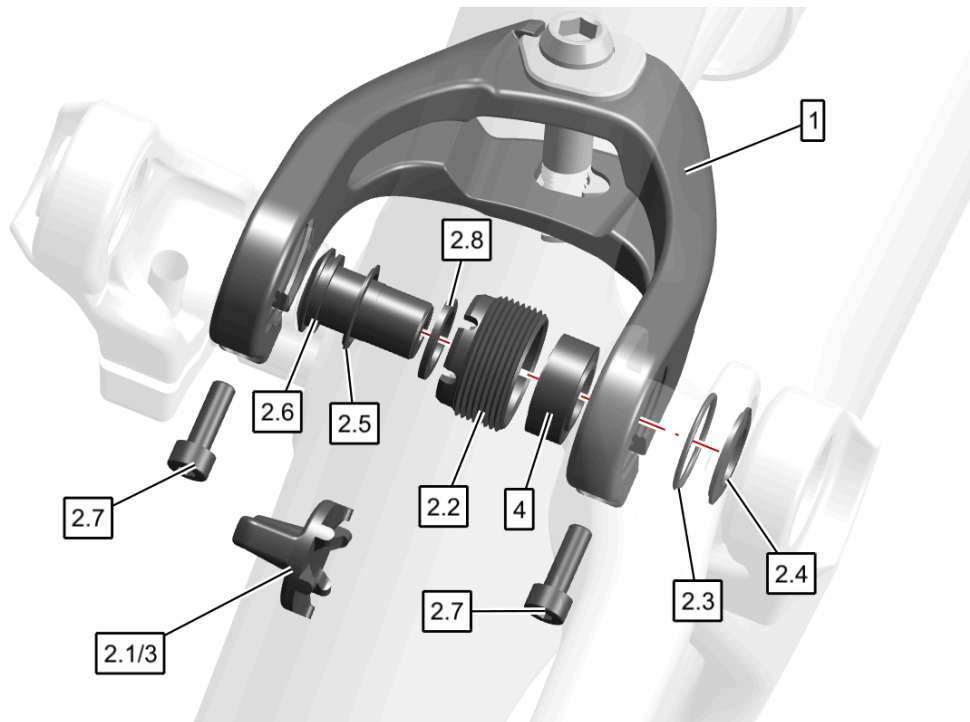
## SL SHOCK YOKE





Click on the part number to buy online

<b>1. RISE H SL 25 YOKE</b>		<a href="#">PART No.: XG14</a>
Does not include bearings		<b>QTY</b>
	<b>1</b> Rise H SL aluminium yoke	<b>1</b>
<b>2. SL YOKE-LINKAGE HARDWARE KIT</b>		<a href="#">PART No.: XC83</a>
		<b>QTY</b>
	<b>2.1</b> Link-yoke axle	<b>2</b>
	<b>2.2</b> Link yoke axle ring 15x12x0.9	<b>2</b>
	<b>2.3</b> 15 x 1 mm O ring	<b>2</b>
	<b>2.4</b> Yoke-link spacer	<b>2</b>
<b>3. SHOCK YOKE BEARING KIT</b>		<a href="#">PART No.: X983</a>
		<b>QTY</b>
	<b>3</b> Bearings: Enduro Double Raw Max 10177 10x17x6/7	<b>1</b>


## LT SHOCK YOKE




Click on the part number to buy online

<b>1. RISE LT 25 YOKE</b>		<b>PART NO.: XF89</b>
Does not include bearings		<b>QTY</b>
	<b>1</b> Alu Rise LT 25 yoke	<b>1</b>
<b>2. LT YOKE-LINKAGE HARDWARE KIT</b>		<b>PART No.: XC85</b>
		<b>QTY</b>
	<b>2.1</b> LT yoke bearing wedge tool	<b>1</b>
	<b>2.2</b> LT yoke bearing wedge	<b>2</b>
	<b>2.3</b> 15 x 1 mm O ring	<b>2</b>
	<b>2.4</b> Yoke-link spacer	<b>2</b>
	<b>2.5</b> Link yoke axle ring 15x12x0.9	<b>2</b>
	<b>2.6</b> Link-yoke axle	<b>2</b>
	<b>2.7</b> M4x12 DIN912 bolt	<b>2</b>
<b>2.8</b> Axle seat washer	<b>2</b>	



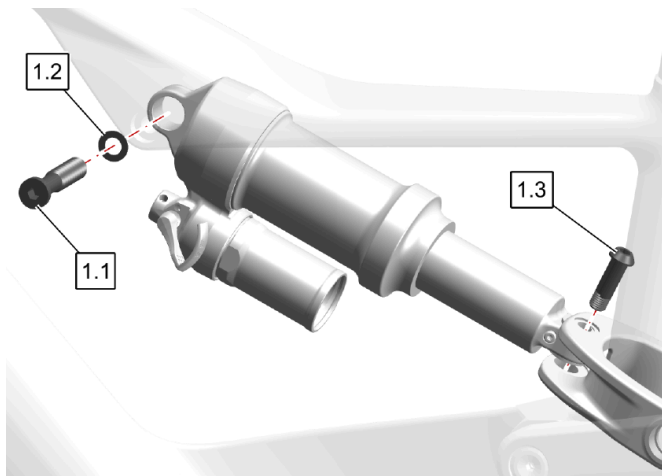
<b>3. LT YOKE WEDGE TOOL</b>			<b>PART No.: XD53</b>
			<b>QTY</b>
	<b>3</b>	LT yoke wedge-bearings pre-load tool	1

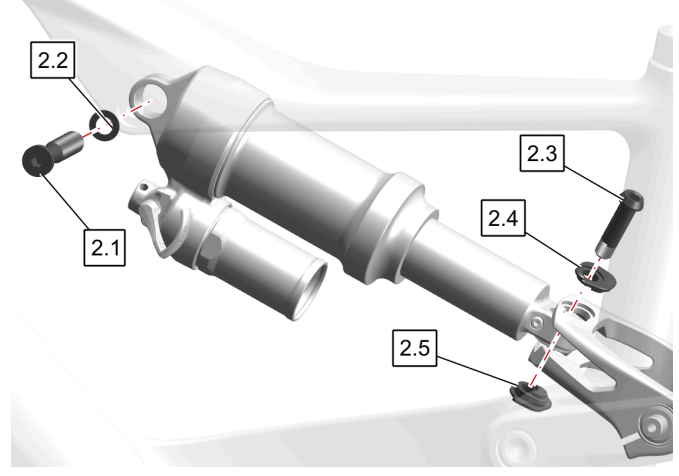
<b>4. SHOCK YOKE BEARING KIT</b>			<b>PART NO.: 983</b>
			<b>QTY</b>
	<b>4</b>	Bearings: Enduro Double Raw Max 10177 10x17x6/7	2

## SHOCK FIXING

RISE H SL



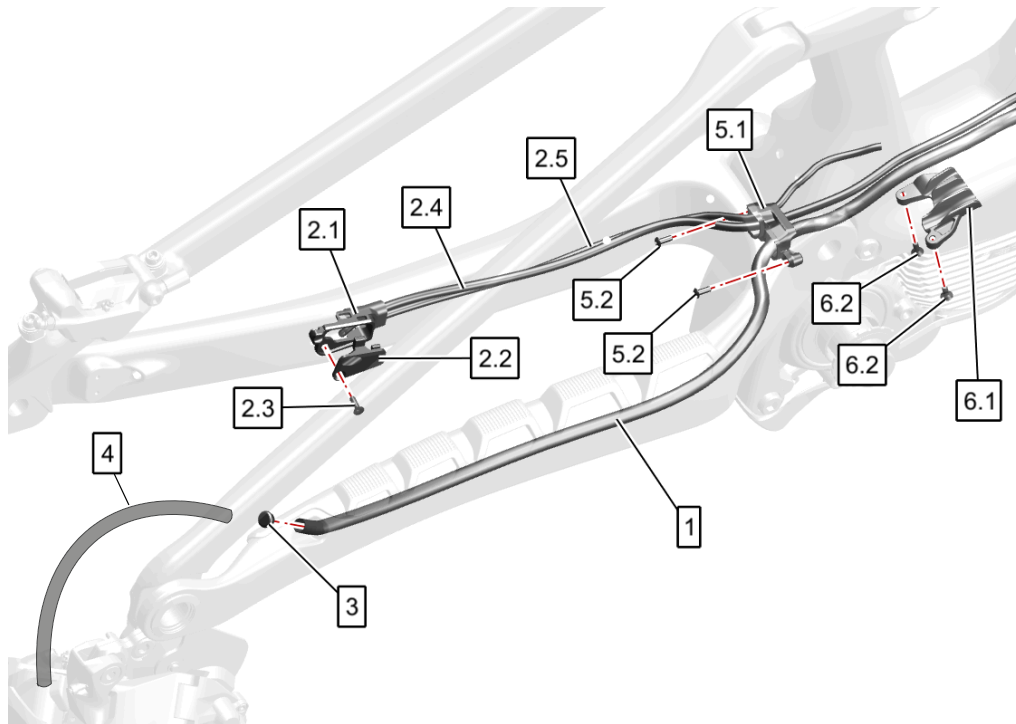
RISE H LT






Click on the part number to buy online


1. HYDRO S SHOCK FIXING KIT		PART No.: XD89
		QTY
	1.1. Shock-frame aluminium bolt	1
	1.2. Washer 8x14x0.5	1
	1.3. Shock yoke SL bolt	1
2. HYDRO LT SHOCK FIXING KIT		PART No.: XD76
		QTY
	2.1. Shock-frame aluminium bolt	1
	2.2. Washer 8x14x0.5	1
	2.3. Shock yoke LT bolt	1
	2.4. Quick Flip LT yoke upper insert	1
	2.5. Quick Flip LT yoke lower insert	1

## CABLING




Click on the part number to buy online


<b>1. RIGHT CABLE PASS TUBE</b>		<b>PART No.: XC75</b>
		<b>QTY</b>
	<b>1</b> Cable Pass tube right chainstay	1
<b>2. LEFT RISE 25 CABLE PASS KIT</b>		<b>PART NO.: XF97</b>
		<b>QTY</b>
	<b>2.1</b> Cable Pass left chainstay cable guide body	1
	<b>2.2</b> Cable Pass left chainstay cable guide cover	1
	<b>2.3</b> Cable Pass left chainstay cable guide bolt	1
	<b>2.4</b> Cable Pass speed sensor tube	1
	<b>2.5</b> Cable Pass rear brake tube	1
<b>3. AXS REAR DERAILLEUR BLIND PLUG</b>		<b>PART No.: X522</b>
		<b>QTY</b>
	<b>3</b> Sram AXS rear derailleur 6 mm blind plug	1

<b>4. DI2 SHIFTER CABLE PROTECTIVE TUBE</b>			<b>PART No.: X989</b>
			<b>QTY</b>
	<b>4</b>	Di2 Shifter cable protective tube	2

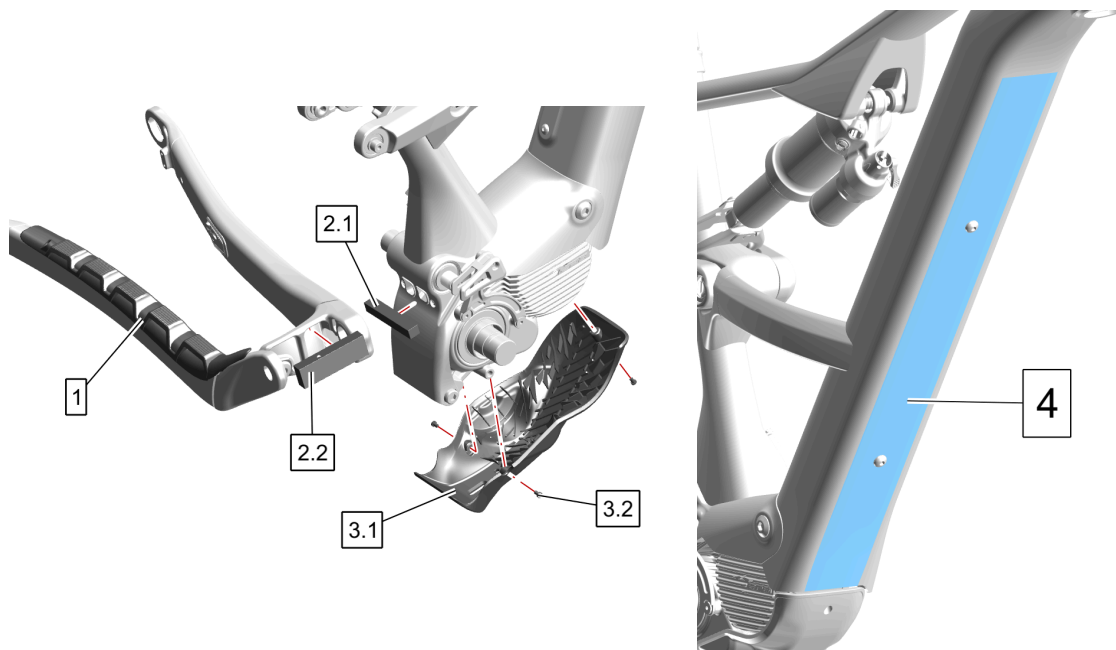
  

<b>5. CABLE PASS FT-SWINGARM CABLE GUIDE</b>			<b>PART NO.: XF95</b>
			<b>QTY</b>
	<b>5.1</b>	FT-Swingarm cable guide	1
	<b>5.2</b>	M3x8mm ISO7380 stainless bolt	2


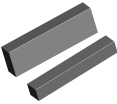


  

<b>6. MOTOR HOUSING CABLE GUIDE</b>			<b>PART NO.: XF96</b>
			<b>QTY</b>
	<b>6.1</b>	Motor housing cable guide	1
	<b>6.2</b>	M3x10 DIN7991 stainless bolt	2

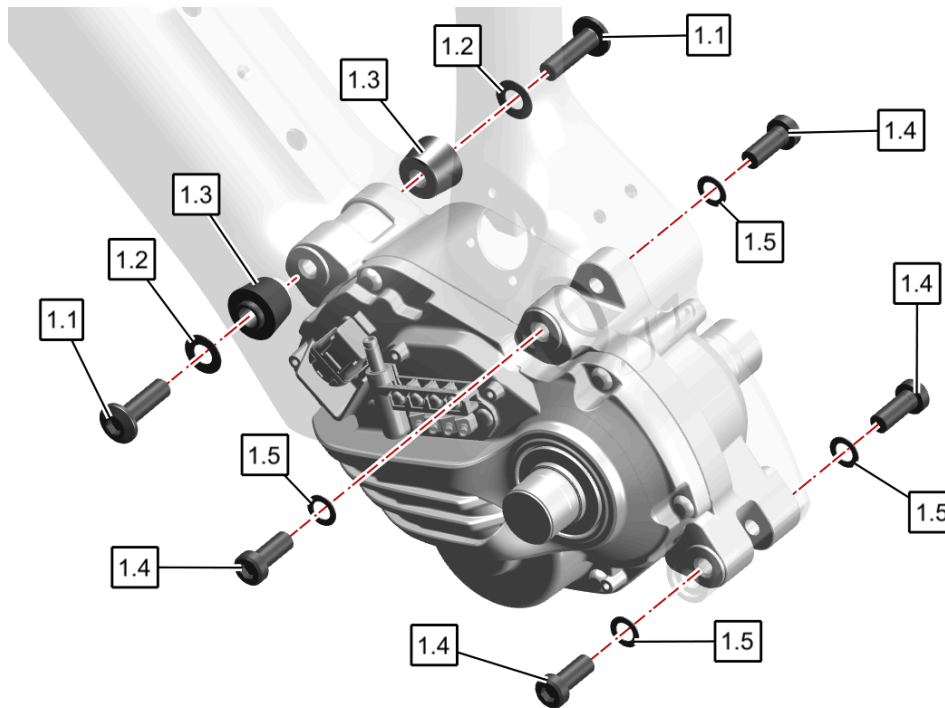
## PROTECTORS




Click on the part number to buy online

<b>1. RISE H 25 RIGHT CHAINSTAY RUBBER PROTECTOR</b>		<b>PART NO.:</b> XG11
		<b>QTY</b>
	<b>1</b> Rise H 25 adhesive right chainstay rubber protector	<b>1</b>
<b>2. SWINGARM-FT FOAM PROTECTOR</b>		<b>PART NO.:</b> XG12
		<b>QTY</b>
	<b>2.1</b> Adhesive foam bottom protector FT	<b>1</b>
	<b>2.2</b> Hinged adhesive foam top protector	<b>1</b>
<b>3. RISE 25 EP801/EP6 MOTOR PROTECTOR</b>		<b>PART NO.:</b> XF93
		<b>QTY</b>
	<b>3.1</b> Rise 2025 EP801/EP6 motor protector	<b>1</b>
	<b>3.2</b> Motor protector bolt	<b>3</b>
<b>4. DOWNTUBE TRANSPARENT PROTECTOR</b>		<b>PART NO.:</b> XG13
		<b>QTY</b>
	<b>4</b> Downtube adhesive transparent protector	<b>1</b>

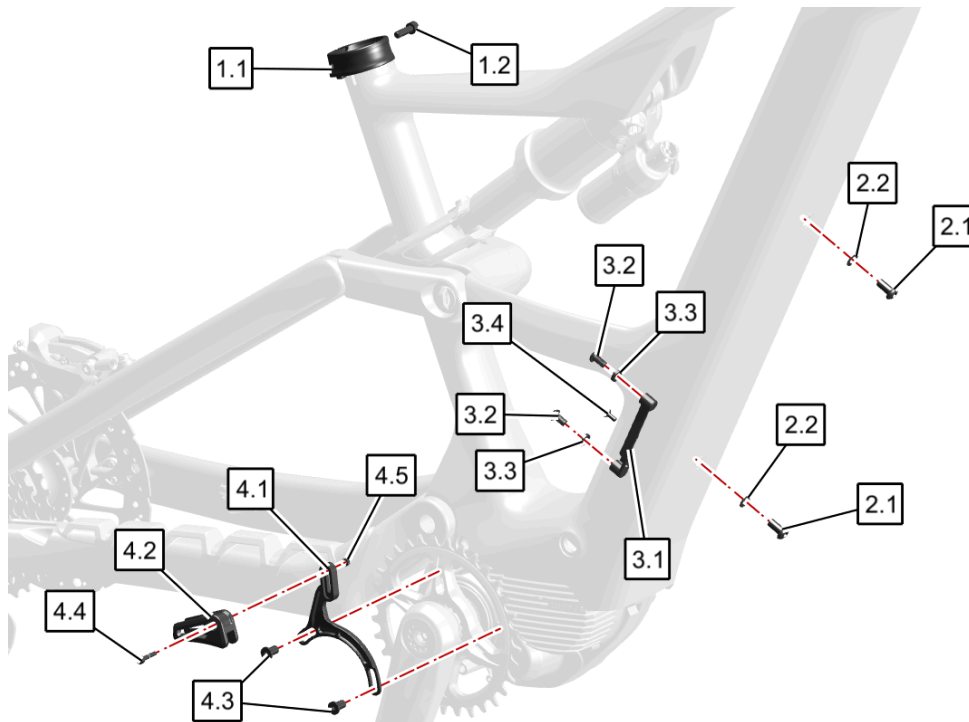
## MOTOR FIXING







[Click on the part number to buy online](#)


1. RISE 2025 MOTOR FIXING KIT		PART NO.: XF99
		QTY
	1.1 M8x27.6 C16.5 bolt	2
	1.2 8.5x16.5x0.5 stainless washer	2
	1.3 Front motor bushing 8x22x13.6	2
	1.4 M8xP1.25 bolt	4
	1.5 13 mm washer	4

## OTHER FRAME HARDWARE



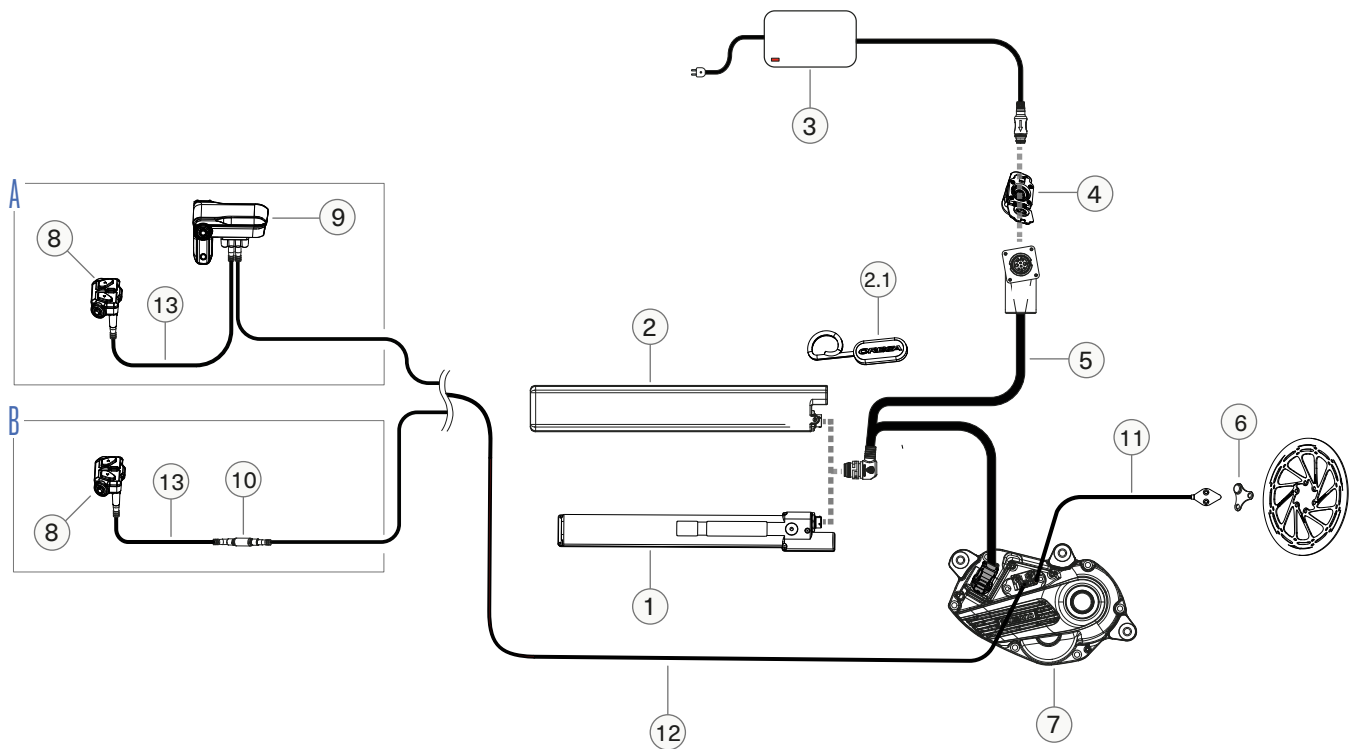
Click on the part number to buy online

<b>1. SEATPOST CLAMP 34.9</b>		<b>PART No.: X202</b>
		<b>QTY</b>
	<b>1.1</b> Seatpost clamp 34.9 mm. Black	1
	<b>1.2</b> Clamp bolt	1
<b>2. INTERNAL BATTERY FIXING KIT</b>		<b>PART No.: XA88</b>
		<b>QTY</b>
	<b>2.1</b> M6x9mm battery bolt	2
	<b>2.2</b> 6x11x0.5mm washer	2
<b>3. BOTTLE HOLDER INTERNAL PLATE KIT</b>		<b>PART NO.: XF98</b>
		<b>QTY</b>
	<b>3.1</b> Bottle holder internal plate	1
	<b>3.2</b> M5x10mm bolt	2
	<b>3.3</b> 5.5x10x2 washer, black	2
	<b>3.4</b> M3x6mm DIN 7991 bolt	1
<b>3.a. RISE BOTTLE HOLDER BOLT KIT</b>		<b>PART No.: XA80</b>
		<b>QTY</b>
	<b>3.a.1</b> 5.5x10x2 washer, black	4
	<b>3.a.2</b> M5x10mm bolt	1

<b>4. RISE 25 CHAINGUIDE KIT. CHAINLINE 55</b>			<b>PART NO.: XF90</b>
			<b>QTY</b>
	<b>4.1</b>	Chain guide support Rise 25 chainline 55 mm	1
	<b>4.2</b>	Chainguide body	1
	<b>4.3</b>	Chainguide-motor bolts	2
	<b>4.4</b>	M3x15 DIN 912 bolt	1
	<b>4.5</b>	M3 DIN934 nut	1




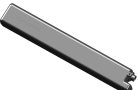

## ELECTRICAL SYSTEM COMPONENTS














Click on the part number to buy online (Orbea parts)

A. With Shimano SC-EN600 display

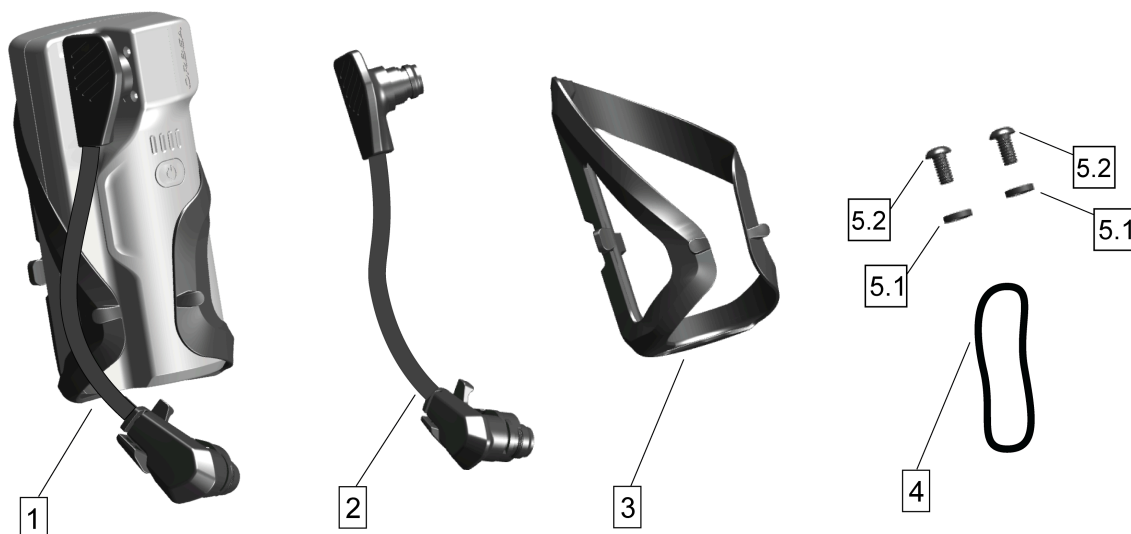
B. Without Shimano SC-EN600 display

ORBEA EBIKE SYSTEMS COMPONENTS			
<b>1. ORBEA 420 Wh GEN2 BATTERY</b>		<b>PART NO.: XG03</b>	
Available through Orbea dealers			
		<b>QTY</b>	
	1. Orbea 420 Wh Gen2 battery		1
<b>2. ORBEA 630Wh GEN2 BATTERY</b>		<b>PART NO.: XF39</b>	
Available through Orbea dealers			
		<b>QTY</b>	
	1. Orbea 630Wh gen2 battery		1
<b>2.1. ORBEA BATTERY LOOP</b>		<b>PART NO.: XF80</b>	
		<b>QTY</b>	
	2.1. Orbea battery loop		1







<b>3. ORBEA SMART CHARGER GEN2</b>		<b>PART No.: X977</b>
		<b>QTY</b>
	3. Orbea Smart Charger Gen2	1
<b>4. RISE 25 CHARGING POINT COVER</b>		<b>PART NO.: XG01</b>
Includes fixing bolts		<b>QTY</b>
	4.. Rise 25 charging point cover	1
<b>5. RISE 25 GEN2 CABLE HARNESS</b>		<b>PART NO.: XG02</b>
		<b>QTY</b>
	5.. Rise 25 Gen2 battery-motor-charging point cable harness	1
<b>6. 6-BOLT SPEED SENSOR MAGNET</b>		<b>PART No.: X240</b>
		<b>QTY</b>
	6.. 6-bolt disc speed sensor magnet	1
<b>SHIMANO COMPONENTS</b> (available through Shimano distributor)		
<b>7. EP801/EP6 MOTOR</b>		<b>DU-EP801 / DU-EP6</b>
		<b>QTY</b>
	7. Shimano Motor EP801/EP6	1
<b>8. SW-EN600-L REMOTE CONTROL</b>		<b>SW-EN600-L</b>
		<b>QTY</b>
	8. SW-EN600-L remote control	1
<b>9. SC-EN600 DISPLAY</b>		<b>SC-EN600</b>
		<b>QTY</b>
	9. SC-EN600 Display	1

<b>10. EW-JC302 JUNCTION</b>		<b>EW-JC302</b>
		<b>QTY</b>
	<b>10.</b> EW-JC302 junction	1
<b>11. EW-SS301 SPEED SENSOR</b>		<b>EW-SS301</b>
Includes fixing bolts		<b>QTY</b>
	<b>11.</b> EW-SS301 Speed sensor	1
<b>12. EW-SD300 1200 mm CABLE</b>		<b>EW-SD300 700</b>
		<b>QTY</b>
	<b>12.</b> EW-SD300 1200 mm cable	1
<b>13. EW-SD300 700 mm CABLE</b>		<b>EW-SD300 700</b>
		<b>QTY</b>
	<b>13.</b> EW-SD300 1200 mm cable	1

## RS 210 WH GEN2 RANGE EXTENDER



[Click on the part number to buy online](#)

<b>1. RANGE EXTENDER RS 210 Wh GEN2</b>		<b>PART NO.: N/A</b>
Includes 120 mm connection cable, bottle holder mount and securing rubber band		<b>QTY</b>
	<b>1</b> Range Extender RS 210 complete	<b>1</b>
<b>2. RANGE EXTENDER RS 210 Wh 120 mm CONNECTION CABLE</b>		<b>PART NO.: XG04</b>
		<b>QTY</b>
	<b>2</b> Range Extender RS 210 Wh Gen2 120 mm connection cable	<b>1</b>
<b>3. RANGE EXTENDER RS 210 Wh GEN MOUNT</b>		<b>PART NO.: XG05</b>
		<b>QTY</b>
	<b>3</b> Range Extender RS 210 Wh Gen2 bottle holder mount	<b>1</b>
<b>4. RANGE EXTENDER RS 210 Wh SECURING RUBBER BAND KIT</b>		<b>PART NO.: XG06</b>
		<b>QTY</b>
	<b>4</b> Range Extender securing rubber band kit	
<b>5. RISE BOTTLE HOLDER BOLT KIT</b>		<b>PART No.: XA80</b>
		<b>QTY</b>
	<b>5.1</b> 5.5x10x2 washer, black	<b>4</b>
	<b>5.2</b> Bolt M5x10	<b>2</b>

# 25 ADDITIONAL INFORMATION

Find more information about Orbea on social media

## FACEBOOK

[www.facebook.com/orbeabicycles](http://www.facebook.com/orbeabicycles)

## INSTAGRAM

[www.instagram.com/orbeabicycles](http://www.instagram.com/orbeabicycles)

## LINKEDIN

[www.linkedin.com/company/orbea-s-coop](http://www.linkedin.com/company/orbea-s-coop)

## YOUTUBE

[www.youtube.com/user/OrbeaBicycles](http://www.youtube.com/user/OrbeaBicycles)

## MANUALS

Download the latest version of this manual, as well as those for any other Orbea or OC products at:

[www.orbea.com/gb-en/support/manuals/](http://www.orbea.com/gb-en/support/manuals/)

## CONTACT

If you have any questions about our products, please visit:

[www.orbea.com/gb-en/contact/](http://www.orbea.com/gb-en/contact/)

## ORBEA BLOG

[www.orbea.com/blog](http://www.orbea.com/blog)

---

Orbea S. Coop. 2024  
Goitondo Kalea, 2, 48269 Mallabia, Bizkaia. Spain

T. 0034 943 17 19 50

All rights reserved. Modification of this document is forbidden. The contents of this manual are subject to specification changes with no prior notice.

For the latest version, please visit [www.orbea.com](http://www.orbea.com)

# ÍNDICE

<b>01 SOBRE ESTE MANUAL</b> .....	<b>130</b>
<b>02 LEYENDA DE SÍMBOLOS</b> .....	<b>131</b>
<b>03 GARANTÍA ORBEA</b> .....	<b>132</b>
Garantía legal .....	132
Garantía de por vida Orbea .....	132
Registra tu bicicleta .....	132
Garantía de componentes del sistema de asistencia eléctrica .....	133
Componentes Shimano Steps .....	133
Componentes RS exclusivos Orbea .....	133
Proceso de reclamaciones de garantía .....	133
<b>04 MANTENIMIENTO</b> .....	<b>134</b>
Mantén limpia tu bicicleta .....	134
Lubricación de la transmisión .....	134
Inspecciona tu bicicleta antes de cada salida .....	134
Periodos de mantenimiento .....	135
Recambios .....	137
Después de un golpe o impacto .....	137
<b>05 ADVERTENCIAS DE USO DE RISE</b> .....	<b>138</b>
Tamaño máximo de cubierta .....	138
Inserción mínima de la tija de sillín .....	138
Longitud máxima de horquilla (axle-to-crown) .....	138
Máximo número de separadores de dirección .....	138
Distancia mínima entre rueda y sillín en máxima compresión .....	139
Uso previsto .....	139
<b>06 ADVERTENCIAS DE USO DEL SISTEMA DE ASISTENCIA ELÉCTRICA</b> .....	<b>140</b>
Cuidados y recomendaciones de uso de los componentes eléctricos y las baterías .....	140
Más información relevante de las baterías de ion-litio Orbea Ebike System .....	141
Autonomía .....	143
Transporte de baterías de bicicletas eléctricas .....	143
Transporte de bicicletas eléctricas .....	143
<b>07 ESPECIFICACIONES TÉCNICAS</b> .....	<b>144</b>
Geometría .....	144
Ergonomía .....	145
Alturas máximas y mínimas de sillín con tija telescópica .....	145
Especificaciones técnicas del cuadro .....	147

Especificaciones Técnicas Shimano EP801 y EP600 .....	150
Especificaciones Técnicas Orbea E-bike System Gen2 .....	152
<b>08 USO DE RISE .....</b>	<b>155</b>
Carga de la batería interna .....	155
Baterías internas Orbea 420Wh Gen 2 y 630Wh Gen2 .....	155
Batería externa Range Extender 210Wh Gen2 .....	156
Encendido/Apagado de Rise .....	156
Visualización del nivel de carga de la batería .....	156
Mando remoto SW-EN600-L .....	156
Display SC-EN600 .....	156
Dispositivos Garmin compatibles. Orbea RS Toolbox .....	157
Baterías Orbea RS Gen2 .....	157
Cambio del nivel de asistencia .....	157
Perfiles de asistencia. RS/RS+ .....	158
Selección de los perfiles de asistencia .....	158
Personalización de los niveles de asistencia .....	159
Errores/advertencias en el sistema de asistencia eléctrica .....	160
Manejo del display mediante el mando remoto SW-EN600-L .....	161
Conexión de luces en Rise .....	161
Aplicación E-TUBE RIDE .....	161
Orbea RS Toolbox. Campo de datos para dispositivos Garmin .....	161
Ajuste de suspensiones .....	162
Ajuste de horquillas de suspensión .....	162
Ajuste de amortiguadores .....	166
<b>09 DIRECCIÓN HS02 .....</b>	<b>170</b>
Elementos de la dirección HS02 en Rise Hydro .....	170
Especificaciones de dirección HS02 en Rise .....	171
Guiado de cables en dirección HS02 en Rise .....	171
Montaje de la dirección HS02 .....	172
Quitar o añadir separadores de dirección .....	174
<b>10 POTENCIAS .....</b>	<b>176</b>
Potencias OC ST-MC10 y OC ST-MC20. Elementos .....	176
Potencia OC ST-MC11. Elementos .....	177
Potencias OC MC10/MC11/MC20. Especificaciones técnicas .....	177
OC ST-MC10, ST-MC20 y ST-MC11. Compuestos de montaje y pares de apriete .....	178
Instalación de potencias OC Mountain Control .....	179
<b>11 SOPORTE GPS OC CM-05 .....</b>	<b>181</b>
<b>12 MANILLARES .....</b>	<b>182</b>
Especificaciones manillares OC .....	182
<b>13 EJES DE RUEDA Y PATA DE CAMBIO .....</b>	<b>183</b>
Compuestos de montaje y pares de apriete .....	183

<b>14 PUNTO DE GIRO PRINCIPAL DEL BASCULANTE .....</b>	<b>184</b>
Compuestos de montaje y pares de apriete .....	184
Proceso de instalación .....	185
<b>15 ZONA BIELETA Y AMORTIGUADOR.....</b>	<b>185</b>
Elementos .....	186
Compuestos de montaje y pares de apriete .....	186
Punto de giro cuadro-bieleta. Compuestos de montaje y pares de apriete .....	186
Punto de giro bieleta-tirantes. Compuestos de montaje y pares de apriete .....	187
Prolongador SL. Compuestos de montaje y pares de apriete.....	187
Prolongador LT. Compuestos de montaje y pares de apriete.....	188
Fijación del amortiguador SL .....	190
Fijación del amortiguador LT .....	190
Attitude Adjust. Cambio de geometría en modelos LT .....	190
<b>16 INSTALACIÓN DE LA TIJA DE SILLÍN.....</b>	<b>192</b>
<b>17 GUÍA CADENA .....</b>	<b>193</b>
<b>18 LOCKR. ALMACENAMIENTO DE HERRAMIENTAS EN EL CUADRO.....</b>	<b>193</b>
Multiherramientas OC FLP MT-20 y leva eje trasero.....	193
<b>19 PLETINA DE PORTA BIDÓN .....</b>	<b>194</b>
<b>20 PROTECTORES .....</b>	<b>195</b>
Protectores de vainas y motor .....	195
<b>21 CABLEADO .....</b>	<b>196</b>
Vista general de cableado de componentes en cuadro .....	196
Cable Pass. Cableado entre triángulo principal y basculante.....	196
Instalación de tubos Cable Pass .....	197
Cableado en vano motor.....	199
Cableado en manillar y potencia de componentes Shimano.....	199
<b>22 COMPONENTES DEL SISTEMA DE ASISTENCIA ELÉCTRICA.....</b>	<b>201</b>
Esquema de conexión de componentes .....	201
Conexión de componentes en motor .....	202
Sensor de velocidad. Imanes y discos de freno compatibles.....	203
Fijación del motor al cuadro.....	204
Batería interna .....	204
Especificaciones de las baterías internas .....	204
Fijación de la batería interna al cuadro.....	205
Conexión del cable harness a la batería interna.....	205
Dianóstico de errores de la batería interna (información para distribuidores) .....	206
Desmontaje de la batería interna (información para distribuidores).....	206
Range Extender RS 210Wh Gen2 .....	209
Aviso de compatibilidad .....	209
Especificaciones técnicas.....	209



Carga del Range Extender .....	210
Montaje del Range Extender .....	211
Funcionamiento del Range Extender .....	212
Visualización del nivel de carga .....	213
Almacenamiento del Range Extender .....	214
Comprobar el estado de salud del Range Extender .....	214
Resolución de errores .....	215
Smart Charger 2A-4A Gen2 .....	216
Conexión a Etube Professional. Información para distribuidores.....	218
<b>23 PARES DE APRIETE. VISTA GENERAL .....</b>	<b>221</b>
<b>24 RECAMBIOS RISE HYDRO 2025 .....</b>	<b>223</b>
Dirección .....	224
Potencias OC MC10 / MC20 .....	226
Potencia OC MC11 .....	228
Eje trasero .....	230
Punto de giro principal del basculante .....	232
Bieleta .....	233
Prolongador amortiguador SL .....	235
Prolongador amortiguador LT .....	236
Fijación amortiguador .....	238
Cableado .....	239
Protectores .....	241
Fijación motor .....	242
Otro hardware de cuadro .....	243
Componentes del sistema eléctrico .....	245
Range Extender RS 210Wh Gen2 .....	248
<b>25 INFORMACIÓN ADICIONAL .....</b>	<b>249</b>

# 01 SOBRE ESTE MANUAL

Este manual técnico contiene información importante de tu bicicleta sobre su uso, mantenimiento y repuestos. Léelo con atención.

Este documento es un suplemento del Manual General de Usuario de bicicletas y componentes Orbea, que describe de forma más detallada el uso apropiado y ajuste de los componentes generales de las bicicletas para una circulación y operación seguras. Puedes ver y descargar el Manual de Usuario, así como el resto de manuales técnicos de productos Orbea, de nuestra página web:

[www.orbea.com/es-es/soporte/manuales](http://www.orbea.com/es-es/soporte/manuales)

Puedes consultar la información relevante de uso, mantenimiento y características de los componentes de otros fabricantes montados en nuestras bicicletas, como ruedas, manillares, sistemas de asistencia al pedaleo, horquillas de suspensión, etc, en la web del fabricante en cuestión o a través de su distribuidor en tu país.

## **AVISO A USUARIOS**

---

El montaje y/o mantenimiento de los componentes descritos en este manual requieren de conocimientos mecánicos que pueden sobrepasar las habilidades de la mayoría de consumidores. Si como usuario no dispones de los conocimientos necesarios para la instalación segura de estos componentes, siempre acude a un distribuidor Orbea para realizar la instalación, sustitución y/o mantenimiento de los componentes de tu bicicleta para garantizar la seguridad de ésta.

Daños en los componentes derivados de una incorrecta instalación o mantenimiento no están cubiertos por las condiciones de garantía.

## 02 LEYENDA DE SÍMBOLOS

A lo largo de este manual se utilizan varios símbolos que detallan instrucciones, advertencias o información relevante de uso, mantenimiento y montaje. Presta atención a estos símbolos para evitar situaciones peligrosas y asegurar el uso y montaje correcto de todos los componentes.

El significado de estos símbolos se explica a continuación. En este manual, puede que el símbolo aparezca acompañado únicamente de la instrucción relevante para el componente que describe. Lee la siguiente información con atención para entender su significado.

### INSTRUCCIONES DE SEGURIDAD



**PELIGRO:** Situación peligrosa que, si no se evita, provocará lesiones graves o incluso la muerte



**ADVERTENCIA:** Situación peligrosa que, si no se evita, puede causar lesiones graves o incluso la muerte.



**ATENCIÓN:** Situación peligrosa que, de no evitarse, podría provocar lesiones leves o moderadas.

#### AVISO

Situación no relacionada con lesiones físicas. Información relevante.



**PELIGRO. RIESGO DESCARGA ELÉCTRICA:** Situación peligrosa que, si no se evita, puede causar lesiones graves por descarga eléctrica, o incluso la muerte.



**ADVERTENCIA. RIESGO CORTOCIRCUITO** No observar las indicaciones puede producir cortocircuitos en los componentes eléctricos, pudiendo ser causa de daños en los componentes e incendios.

Los símbolos PELIGRO y ADVERTENCIA siempre implican un riesgo de accidente si no se toman medidas para evitar la situación que describen. Un accidente circulando con una bicicleta siempre puede conllevar riesgo de lesiones graves o incluso de muerte. En este manual no siempre se

repetirá el riesgo de muerte cuando aparezcan estos símbolos, ya que el riesgo se detalla en este punto.

### HERRAMIENTAS Y PARES DE APRIETE



LLAVE PLANA



LLAVE TORX



LLAVE ALLEN



DESTORNILLADOR TIPO PHILLIPS



El número de llave se indica en el interior del símbolo



10 N.m

El par de apriete indicado en newton/metro se especifica debajo del símbolo de la herramienta a utilizar.

Utiliza siempre las herramientas y productos adecuados para un mantenimiento o reparación concretos. Herramientas inadecuadas o en mal estado, o el uso de productos no específicos, pueden causar daños en los componentes que no están cubiertos por las condiciones de garantía.

### COMPUESTOS DE MONTAJE

La leyenda de compuestos de montaje a utilizar en un determinado componente o zona se detalla en cada imagen relativa al montaje de dicho componente a lo largo de este manual.

## 03 GARANTÍA ORBEA

Nuestro esfuerzo continuo y diario por ofrecer la máxima calidad en nuestras bicicletas nos permite brindar la siguiente garantía y condiciones de cobertura:

### GARANTÍA LEGAL

Orbea ofrece al propietario original de la bicicleta Orbea, horquilla rígida o el componente OC una garantía legal de 3 años desde el momento de la compra del artículo, o el periodo estipulado como garantía legal en el país de compra.

Esta garantía cubre todos los productos de Orbea frente a defectos de fabricación y/o falta de conformidad y garantiza la reparación o sustitución del producto defectuoso sin coste adicional para el cliente afectado. Igualmente, esta garantía cubre también los defectos de pintura, barniz y corrosión de todos los cuadros y horquillas rígidas que montamos en nuestras bicicletas por el periodo especificado en el párrafo anterior de esta garantía.

La tramitación de cualquier solicitud de garantía de componentes correspondientes a proveedores externos a Orbea deberá gestionarse a través de un distribuidor autorizado del proveedor del componente afectado.

Esta garantía no cubre en ningún caso los daños derivados de un uso inadecuado, caídas o accidentes o falta de mantenimiento, así como el deterioro habitual de las piezas de desgaste tales como, a título meramente informativo y no limitativo: retenes, rodamientos, cinta de manillar, radios, cubiertas, sillines, etc.

Para conocer la descripción completa de las condiciones de la cobertura y la garantía legal, visita:

[www.orbea.com/es-es/garantia](http://www.orbea.com/es-es/garantia)

### GARANTÍA DE POR VIDA ORBEA

Como complemento a la garantía legal, Orbea ofrece al comprador original de la bicicleta, siempre que haya registrado su producto en el sitio web de Orbea en los 30 días siguientes a la compra, la garantía comercial de por vida Orbea, que cubre los cuadros y horquillas rígidas que montamos en nuestras bicicletas sin límite temporal frente a defectos de fabricación y conformidad de los materiales.

Esta garantía amplía el periodo original de cobertura de los defectos de pintura, barniz y corrosión de los cuadros y horquillas rígidas durante un año más al final del periodo de garantía legal.

La garantía comercial de por vida Orbea sólo cubre cuadros y horquillas rígidas, no componentes OC.

Para conocer la descripción completa de las condiciones de la garantía de por vida, visita:

[www.orbea.com/es-es/garantia/#garantia-deporvida-orbea](http://www.orbea.com/es-es/garantia/#garantia-deporvida-orbea)

## REGISTRA TU BICICLETA

Para beneficiarte de la ampliación de la garantía de por vida Orbea, debes registrar tu bicicleta en los 30 días siguientes a su compra en:

[www.orbea.com/es-es/acceso-registro?from=register-plate/](http://www.orbea.com/es-es/acceso-registro?from=register-plate/)

### 1. REGISTRA TU CUENTA

The screenshot shows the 'REGISTRATE EN ORBEA' form. It includes fields for 'EMAIL\*' and 'CONTRASEÑA\*' (password), with a 'REPTIR CONTRASEÑA\*' (repeat password) field. There are checkboxes for 'He leído y acepto los términos y condiciones y la política de privacidad' and 'Quiero suscribirme a los boletines de actualidad de Orbea y he leído y acepto la política de privacidad'. A 'REGISTRARME' button is at the bottom.

### 2. REGISTRA TU MATRÍCULA

The screenshot shows the 'REGISTRO DE GARANTÍA' form. It includes a 'MATRÍCULA\*' field and a 'FECHA DE COMPRA\*' field. There are dropdown menus for 'MI NIVEL DE SATISFACCIÓN CON EL PROCESO DE COMPRA ES...' and 'MI NIVEL DE SATISFACCIÓN CON EL PRODUCTO ES...'. There are checkboxes for 'Quiero suscribirme a los boletines de actualidad de Orbea y he leído y acepto la política de privacidad' and 'He leído y acepto los términos y condiciones de la garantía Orbea y la política de privacidad'. A 'REGISTRAR MATRÍCULA' button is at the bottom.

### 3. DONDE ENCONTRAR TU MATRÍCULA



## GARANTÍA DE COMPONENTES DEL SISTEMA DE ASISTENCIA ELÉCTRICA

### COMPONENTES SHIMANO STEPS

Los componentes del sistema eléctrico Shimano STEPS (motor, sensor de velocidad, pulsador de cambio de nivel de asistencia, display y cableado Di2) están cubiertos por una garantía legal de 3 años desde el momento de la compra del artículo o la bicicleta, o el periodo estipulado como garantía legal en el país de compra.

La tramitación de cualquier solicitud de garantía debe realizarse con Shimano a través de un distribuidor autorizado de la marca.

### COMPONENTES RS EXCLUSIVOS ORBEA

Los componentes RS del sistema eléctrico exclusivos de Orbea (batería interna, Range Extender, cable harness de conexión a la batería, motor y puerto de carga) están cubiertos por una garantía legal de 3 años desde el momento de la compra del artículo o la bicicleta, o el periodo estipulado como garantía legal en el país de compra.

La tramitación de cualquier solicitud de garantía debe realizarse con Orbea a través de uno de nuestros distribuidores autorizados.

Estas garantías cubren todos los productos de Shimano y Orbea frente a defectos de fabricación y/o falta de conformidad y garantiza la reparación o sustitución del producto defectuoso sin coste adicional para el cliente afectado.

Esta garantía no cubre en ningún caso los daños derivados de un uso inadecuado, caídas o accidentes, instalación incorrecta o falta de mantenimiento o no observación de las indicaciones de uso, almacenamiento, carga, etc. de este manual.

La pérdida de capacidad de las baterías RS (batería interna y Range Extender) debido al envejecimiento natural de las mismas por uso, carga y almacenamiento no está contemplado dentro de las condiciones de garantía.

## PROCESO DE RECLAMACIONES DE GARANTÍA

Todas las reclamaciones de garantía deben ser procesadas a través de un distribuidor autorizado Orbea, quien realizará el diagnóstico inicial y remitirá a Orbea, Shimano o el fabricante del componente de la reclamación toda la documentación necesaria para realizar un diagnóstico completo de la reclamación en cuestión. El distribuidor informará al propietario del estado del proceso y de la decisión sobre la reclamación de garantía por Orbea, Shimano o el fabricante del componente en cuestión.

## RECLAMACIONES DE GARANTÍA Y REPARACIÓN DE COMPONENTES DEL SISTEMA DE ASISTENCIA ELÉCTRICA

**SHIMANO:** La tramitación de reclamaciones de garantía o reparación de los siguientes componentes del sistema eléctrico serán procesadas a través de Shimano:

- Motores Shimano EP801 RS y EP6 RS.
- Sensor de velocidad.
- Cableado específico STEPS/Di2.
- Maneta de cambio de nivel de asistencia SW-EN600-L.
- Display SC-EN600

**ORBEA:** La tramitación de reclamaciones de garantía o reparación de los siguientes componentes del sistema eléctrico serán procesadas a través de Orbea:

- Batería externa Range Extender 210 Wh. Gen2.
- Baterías internas Orbea Ebike System 540Wh Gen2/ 630Wh Gen2/420 Wh Gen2.
- Cable harness de conexión a la batería interna, al motor y al puerto de carga Gen 2.
- Cargador Smart Charger RS Gen2.

Te recomendamos que siempre acudas al distribuidor donde compraste tu bicicleta para tramitar una reclamación de garantía, o a aquel que elegiste durante el proceso de compra de una bicicleta que te fue entregada directamente en tu domicilio. En caso de no poder acudir al distribuidor original, puedes comprobar la lista de distribuidores autorizados en nuestra web o contactar con Orbea para que te indiquemos el distribuidor al que acudir.

[www.orbea.com/es-es/distribuidores/?country](http://www.orbea.com/es-es/distribuidores/?country)

[www.orbea.com/es-es/contacto/](http://www.orbea.com/es-es/contacto/)

## 04 MANTENIMIENTO

Los productos Orbea son cuidadosamente diseñados para ser duraderos, eficientes y fáciles de mantener. Los cuadros y horquillas de carbono y aluminio son extremadamente resistentes a la corrosión.

Sin embargo, tu bicicleta necesita un mantenimiento periódico de sus componentes para asegurar su correcto funcionamiento, seguridad y longevidad.

### MANTÉN LIMPIA TU BICICLETA

Limpia tu bicicleta con agua y jabón suave de manera regular para mantenerla como el primer día y poder comprobar el estado del cuadro y sus componentes. No utilices agua a presión, ya que podría dañar componentes como los rodamientos o los tubos del cuadro.

Los desengrasantes a base de cítricos son biodegradables y resultan muy eficaces para eliminar la grasa de los componentes de la transmisión y la cadena.



La suciedad acumulada puede dificultar la inspección visual de los componentes y ocultar daños que podrían potencialmente producir averías o accidentes.

#### AVISO

La suciedad acumulada provoca el desgaste prematuro de los componentes, y puede incluso dañar el cuadro de la bicicleta en zonas como alojamientos de rodamientos y partes móviles. Los daños por falta de limpieza y mantenimiento no están contemplados por las coberturas de garantía.

### LUBRICACIÓN DE LA TRANSMISIÓN

Una vez hayas limpiado tu bicicleta, lubrica la transmisión, concretamente la cadena. Utiliza la mínima cantidad necesaria para lubricar los eslabones, limpiando cualquier exceso para evitar que éste atraiga la suciedad y provoque que la transmisión no funcione correctamente y el desgaste prematuro de los componentes.



Evita el uso de lubricantes en aerosol para que éstos no se depositen en las superficies de frenado. Siempre comprueba los frenos tras lubricar la transmisión.

### INSPECCIONA TU BICICLETA ANTES DE CADA SALIDA

Realiza una inspección rápida antes de cada salida para verificar que tu bicicleta se encuentra en óptimo estado de funcionamiento. Podrías encontrar pequeños problemas que se pueden convertir en incidencias importantes durante el trayecto.

**CUADRO:** Inspecciona el cuadro y la horquilla en busca de daños o grietas. No debe presentar ruidos extraños. Ante cualquier daño en el cuadro, evita el uso de la bicicleta y contacta con tu distribuidor autorizado para una revisión.

**CADENA:** Debe estar limpia y lubricada, y la transmisión no debe producir ruidos fuera de lo normal.

**FRENOS:** Verifica que los frenos funcionan correctamente y de manera segura. Verifica los pares de apriete de los componentes.

**CUBIERTAS:** Comprueba el desgaste de las cubiertas y busca cortes en la banda de rodadura o en los laterales, si encuentras daños, reemplaza la cubierta. Comprueba que la presión de los neumáticos es la adecuada.

**RUEDAS:** Comprueba que las ruedas giran de manera suave y que no tiene desviaciones laterales. Tira ligeramente de la rueda hacia los lados para comprobar que no hay ningún juego lateral en los rodamientos. Verifica que no haya ningún radio roto o flojo. Comprueba que los ejes o cierres rápidos están apretados de manera segura y al par de apriete correcto.

**DIRECCIÓN:** Acciona el freno delantero y mueve la parte frontal de la bicicleta hacia adelante y hacia atrás ejerciendo presión en el manillar con la rueda delantera en el suelo. Comprueba que no haya ruidos extraños o movimiento de la dirección, que podría indicar que los rodamientos están gastados o la dirección no está apretada correctamente. Con la dirección ajustada correctamente, comprueba que la dirección gira de manera suave.

**PUNTOS DE GIRO DEL BASCULANTE:** En bicicletas de doble suspensión, comprueba que todos los puntos de giro del basculante giren de manera suave y no presenten juego en los rodamientos. Tira del basculante hacia un lado y otro de la bicicleta y presta atención a ruidos o juego en los puntos de giro. Si el basculante no funciona suavemente o presenta juego, podría ser un indicador de que los pares de apriete no son correctos o que los rodamientos están desgastados o dañados.

**RODAMIENTOS:** Los rodamientos (eje de pedalier, puntos de giro del basculante, dirección, ruedas, etc) son elementos de desgaste que deben ser comprobados periódicamente para garantizar su correcto funcionamiento. Rodamientos en mal estado pueden dañar los componentes en los que están instalados. Condiciones meteorológicas adversas aceleran el desgaste de los rodamientos. Rodamientos que presentan juego o que no giran suavemente deben ser reemplazados inmediatamente. Ante cualquier duda, consulta con tu distribuidor autorizado.

**AVISO**

Daños en componentes como el cuadro, ruedas de tu bicicleta, etc, derivados de falta de mantenimiento y sustitución de los rodamientos no están cubiertos por las condiciones de la garantía.

**SISTEMA ELÉCTRICO:** Enciende la bicicleta y comprueba que el sistema eléctrico funciona correctamente. Comprueba que haya asistencia eléctrica y que todos los componentes funcionan (motor, display, cambio de asistencia y sensor de velocidad).

Si no hay asistencia eléctrica, comprueba todas las conexiones entre los componentes y el estado de los mismos y los cables (cables o componentes que muestren daños deben ser reemplazados).

Comprueba si hay errores en el sistema eléctrico. El display de Shimano SC-EN600 mostrará el código de error si lo hubiese. El mando remoto SW-EN600-L mostrará si hubiese un error en el sistema haciendo parpadear en rojo el LED inferior. Conecta la bicicleta a la aplicación Shimano Etube para conocer el código del error.

Conociendo el código de error, sigue las recomendaciones de la aplicación para dicho error o consulta el manual de usuario del sistema Shimano STEPS. Si el sistema eléctrico sigue sin funcionar tras aplicar el método descrito, o si no hay un método a aplicar por el usuario, lleva tu bicicleta a un distribuidor autorizado para su diagnóstico y reparación.

Consulta el listado de códigos de error y advertencias del sistema Shimano STEPS y su método de resolución en el siguiente link:

<https://si.shimano.com/es/error>



No seguir las indicaciones descritas en estos puntos y utilizar una bicicleta que presenta los síntomas descritos puede provocar accidentes y lesiones graves.



**PARES DE APRIETE.** Siempre comprueba los pares de apriete e instala los componentes descritos en este manual siguiendo las indicaciones del par de apriete. Sigue las indicaciones de pares de apriete para componentes de otros fabricantes instalados en tu bicicleta Orbea. No observar estas indicaciones puede conducir a la falla de los componentes, accidentes e incluso la muerte.

## PERIODOS DE MANTENIMIENTO

**AVISO**

Los periodos de mantenimiento de los componentes indicados a continuación son orientativos, y dependen en gran medida de factores como las condiciones meteorológicas de uso de la bicicleta (condiciones adversas reducen considerablemente la vida de los componentes y los tiempos de mantenimiento), limpieza de la bicicleta y sus componentes (componentes con suciedad acumulada se desgastan más rápidamente) y uso (un uso más exigente de la bicicleta requerirá periodos de mantenimiento más cortos). Para componentes de otras marcas montados en bicicletas Orbea, puedes comprobar los periodos de mantenimiento recomendados u obligatorios en la web del fabricante o contactando con el distribuidor de la marca en tu país.

**AVISO**

Daños en los componentes derivados del no cumplimiento de los periodos de mantenimiento podrían ocasionar daños que no estarían cubiertos por las condiciones de garantía de Orbea o del fabricante del componente.



El no cumplimiento de los periodos de mantenimiento puede producir daños en los componentes que deriven en averías y accidentes.

**DIRECCIÓN:**

- Inspección del funcionamiento antes de cada uso de la bicicleta.
- Desmontaje e inspección manual de los rodamientos cada 6 meses de uso.

**PEDALIER:**

- Inspección del funcionamiento antes de cada uso de la bicicleta.
- Desmontaje e inspección manual de los rodamientos cada 6 meses de uso.

**TRANSMISIÓN:**

- Inspección del funcionamiento antes de cada uso de la bicicleta.
- Inspección regular del desgaste de la cadena cada 500 km. Una cadena gastada más allá de las recomendaciones del fabricante debe ser sustituida para evitar daños al resto de componentes de la transmisión. No observar las indicaciones de desgaste del fabricante podría requerir la sustitución del resto de elementos de la transmisión.

**RUEDAS:**

- Inspección del funcionamiento antes de cada uso de la bicicleta.

- Desmontaje y revisión manual de los rodamientos y todos los componentes cada 4-6 meses.

#### AMORTIGUADORES Y HORQUILLAS DE SUSPENSIÓN:

- Inspección del funcionamiento antes de cada uso de la bicicleta.
- Revisión y mantenimiento completo cada 125 horas o anual (lo que antes ocurra) por el distribuidor autorizado por el fabricante.

#### TIJAS TELESCÓPICAS:

- Inspección del funcionamiento antes de cada uso de la bicicleta.
- Revisión y mantenimiento completo cada 125 horas o anual (lo que antes ocurra) por el distribuidor autorizado por el fabricante.

#### PUNTOS DE GIRO EN CUADROS DE DOBLE SUSPENSIÓN:

- Inspección del funcionamiento antes de cada uso de la bicicleta.
- Desmontaje del cuadro e inspección manual de todos los rodamientos cada 125 horas de uso o anual (lo que antes ocurra). Estos tiempos podrían acortarse dependiendo de las condiciones de uso de la bicicleta. Un uso exigente de la bicicleta o en condiciones meteorológicas adversas o con barro requiere el desmontaje e inspección del cuadro cada 75 horas de uso o cada 6 meses (lo que antes ocurra). Si un rodamiento no gira suavemente o tiene juego, debe ser reemplazado inmediatamente.

#### CABLES Y FUNDAS DE CAMBIO:

- Inspección del funcionamiento antes de cada uso de la bicicleta.
- Sustitución de cables de cambio mecánicos cada 6 meses o un año, dependiendo de las condiciones de uso de la bicicleta.

#### FRENOS:

- Inspección del funcionamiento y del desgaste de las pastillas o zapatas de freno antes de cada uso de la bicicleta.
- Comprobación del desgaste de los discos de freno y los cables o líneas hidráulicas cada 6 meses o un año, dependiendo de las condiciones de uso de la bicicleta. Purgado de las líneas hidráulicas cada año.

#### COMPONENTES DEL SISTEMA DE ASISTENCIA ELÉCTRICA:

Comprueba regularmente las conexiones y cables de los componentes del sistema de asistencia eléctrica en tu bicicleta. Las conexiones deben estar limpias y no presentar objetos extraños. Los cables deben estar en buen estado y no presentar cortes o dobleces que puedan causar cortocircuitos y falta de asistencia eléctrica.

El exterior de los componentes como mandos remotos y baterías no deben mostrar daños que permitan el ingreso de agua y otros elementos.

Ante cualquier daño de los componentes eléctricos, dirígete a tu distribuidor Orbea para su diagnóstico y/o sustitución.

#### AVISO

Consulta la sección de advertencias de uso del sistema de asistencia eléctrica de este manual para conocer el cuidado correcto de sus componentes.

#### ACTUALIZACIONES DEL SISTEMA ELÉCTRICO:

Los sistemas de asistencia eléctrica para ebikes pueden ser susceptibles de mejoras o actualizaciones que mejoren el funcionamiento del sistema. Algunas actualizaciones del sistema Shimano STEPS son realizadas mediante Bluetooth al conectar tu bicicleta a la aplicación para smartphones Shimano Etube Project Cyclist.

#### AVISO

Al realizar una actualización del sistema a través de Bluetooth usando la aplicación para móviles Etube Project, siempre es recomendable desactivar la conexión a redes móviles y WiFi para evitar que una llamada o mensaje entrante pueda interrumpir la actualización. En caso de que la actualización sea interrumpida y esto provoque algún mal funcionamiento de la bicicleta, lleva tu bicicleta a un distribuidor autorizado Orbea para realizar la actualización usando la interfaz para distribuidores SM-PCE02 de Shimano.

Consulta aquí el manual de la aplicación Shimano Etube Project Cyclist:

<https://si.shimano.com/es/um/7J4MA>

Otras actualizaciones deben ser llevadas a cabo por un distribuidor autorizado. Recuerda a tu distribuidor comprobar si existen actualizaciones disponibles para tu bicicleta cuando lleves ésta para mantenimiento o reparaciones



Algunas de estas comprobaciones y mantenimientos están más allá del conocimiento mecánico de la mayoría de usuarios de bicicletas. Si no estás cualificado para realizar los mantenimientos necesarios, acude siempre a un distribuidor Orbea para el mantenimiento de tu bicicleta y sus componentes. No realizar los mantenimientos de manera adecuada puede resultar en averías y accidentes de graves consecuencias.

#### AVISO

Mantenimientos realizados de manera incorrecta pueden producir daños en los componentes que no están cubiertos por las condiciones de la garantía.



## RECAMBIOS

Utiliza siempre recambios originales Orbea o del fabricante del componente en cuestión.



El uso de repuestos no originales puede producir daños que deriven en averías y accidentes de graves consecuencias.



La instalación de alguno de los repuestos en este manual técnico está más allá del conocimiento mecánico de la mayoría de usuarios de bicicletas. Si no estás cualificado para instalar estos repuestos, acude siempre a un distribuidor Orbea para el mantenimiento de tu bicicleta y sus componentes. No instalar los repuestos de manera adecuada puede resultar en averías, accidentes y lesiones graves.

### AVISO

La instalación de repuestos no originales pueden producir daños en tu bicicleta que no están cubiertos por las condiciones de garantía.

Accede al catálogo completo de recambios Orbea en nuestra web:

[www.orbea.com/es-es/equipamiento/recambios/](http://www.orbea.com/es-es/equipamiento/recambios/)

## DESPUÉS DE UN GOLPE O IMPACTO

Caerse de la bicicleta es inherente al ciclismo. Si sufres un accidente con tu bicicleta Orbea, asegúrate de que te encuentras bien y pide atención médica si es necesario. Si no has sufrido lesiones, deberás comprobar el estado de tu bicicleta antes de continuar.

### INSPECCIONA EL CUADRO Y LOS COMPONENTES DE LA BICICLETA PARA COMPROBAR SI HAN SUFRIDO DAÑOS.

Si detectas algún problema, no sigas circulando con la bicicleta.

#### PUNTOS A REVISAR

Inspecciona el cuadro y la horquilla para identificar si cualquiera de estos componentes se ha roto o doblado. Si detectas alguna rotura o grieta, debes dejar de utilizar la bicicleta inmediatamente. En cuadros de carbono, busca grietas o zonas blandas en el carbono, si detectas alguno de estos síntomas, debes dejar de utilizar la bicicleta inmediatamente.



Los materiales utilizados en cuadros y horquillas de carbono son rígidos y fuertes, pero ante una sobrecarga o impacto, las fibras no se doblan, se rompen. Un impacto lo suficientemente fuerte en este material podría producir daños que, aunque no visibles a primera vista, podrían producir un fallo de los materiales en el futuro. Ante cualquier duda de las consecuencias de una caída o accidente, contacta con tu distribuidor Orbea para un correcto diagnóstico de los materiales.

Comprueba la transmisión y las ruedas para asegurarte de que los componentes funcionen correctamente. Si descubres algún daño en los componentes, deja de utilizar la bicicleta inmediatamente.

Incluso en el caso de que no observes daño alguno, presta la máxima atención al sonido de tu bicicleta cuando vuelvas a montar en ella. Las roturas y otros problemas pueden provocar ruidos poco habituales. Si identificas algún ruido poco habitual, deja de usar la bicicleta inmediatamente y contacta con tu distribuidor Orbea para un correcto diagnóstico de la misma.

### LLEVA TU BICICLETA ORBEA A UN DISTRIBUIDOR AUTORIZADO PARA SOMETERLA A UNA INSPECCIÓN PROFESIONAL

Algunas de las consecuencias de una caída o accidente sólo pueden detectarse desmontando la bicicleta completamente para comprobar la presencia de roturas u otras señales de deterioro.



Un golpe o impacto pueden ocasionar graves desperfectos en tu bicicleta y en los componentes de ésta, provocando que fallen o se desgasten prematuramente. Los fallos pueden producirse de manera repentina y sin previo aviso, causando la pérdida de control de la bicicleta, lesiones graves o incluso la muerte.

# 05 ADVERTENCIAS DE USO DE RISE

## TAMAÑO MÁXIMO DE CUBIERTA

Este manual técnico especifica el tamaño máximo de cubierta que puede ser montado en el cuadro, siempre respeta estas indicaciones al instalar una cubierta en tu bicicleta.

Consulta las medidas máximas de cubierta en la tabla de especificaciones técnicas de este manual.

Las medidas externas de distintas cubiertas pueden variar independientemente de la medida especificada por el fabricante. El espacio libre radial entre la parte más externa de la cubierta y el tubo de sillín y la parte inferior de las vainas debe ser, como mínimo, de 6 mm. El espacio libre radial entre la parte más externa de la cubierta y la parte inferior del puente y las botellas de la horquilla debe ser, como mínimo, de 6 a 8mm.

Comprueba también los tamaños máximos y mínimos de cubierta que pueden ser montados en una llanta dependiendo del ancho interno de la misma. Consulta la información de compatibilidad en la documentación del fabricante de la rueda.

### AVISO

Daños en el cuadro o los componentes debidos al uso de una cubierta que no observe estas medidas no están cubiertas por las condiciones de la garantía.

## INSERCIÓN MÍNIMA DE LA TIJA DE SILLÍN



Siempre respeta las indicaciones de inserción mínima de la tija a utilizar o del cuadro en bicicletas de carretera con tijas exclusivas Orbea.

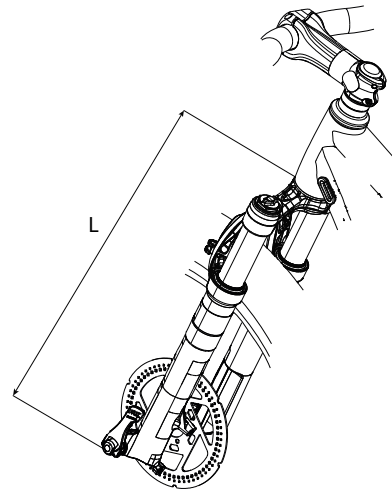
No respetar estas indicaciones puede producir esfuerzos en los materiales más allá de las condiciones para las que fueron diseñados y producir roturas no cubiertas por las condiciones de garantía, así como accidentes que pueden producir lesiones graves.

## LONGITUD MÁXIMA DE HORQUILLA (AXLE-TO-CROWN)

Respetar siempre la longitud máxima de horquilla listada en la sección de especificaciones técnicas de este manual. La longitud máxima de horquilla se refiere a la distancia entre el eje de la horquilla y la parte inferior de la pipa de dirección (axle-to-crown).



No respetar esta medida e instalar horquillas con una longitud mayor que la máxima especificada puede forzar el cuadro más allá de las características para las que fue diseñado, pudiendo producir fallos en el material que podrían ser causa de accidentes y lesiones graves.



## MÁXIMO NÚMERO DE SEPARADORES DE DIRECCIÓN



Nunca uses más separadores de dirección debajo de la potencia que los indicados para el cuadro. Consulta las tablas de especificaciones para saber el número máximo de separadores de dirección o el "stack" máximo que admite un cuadro Orbea. Instalar más separadores que los permitidos puede forzar los materiales más allá del uso para los que fueron diseñados, lo que puede provocar accidentes y lesiones graves.

Consulta también el máximo número de separadores de dirección permitidos por debajo de la potencia en la tabla de especificaciones.



La longitud del tubo de dirección de la horquilla siempre debe ser el adecuado para la posición de la potencia en la horquilla. La potencia siempre debe instalarse en el tubo de dirección de la horquilla de manera que ambos tornillos de amarre de la zona posterior de la potencia estén posicionados sobre el tubo de dirección de la horquilla. Nunca montes la potencia de tal manera que el tornillo superior de amarre de la potencia al tubo de dirección quede más arriba del borde superior del tubo de dirección de la horquilla. Esto forzará los materiales más allá del uso para los que fueron diseñados, potencialmente provocando accidentes y lesiones graves.

La distancia entre el extremo superior del tubo de dirección de la horquilla y la superficie de instalación de la tapa de precarga de la potencia debe ser de al menos 3mm para permitir la correcta precarga de la dirección.

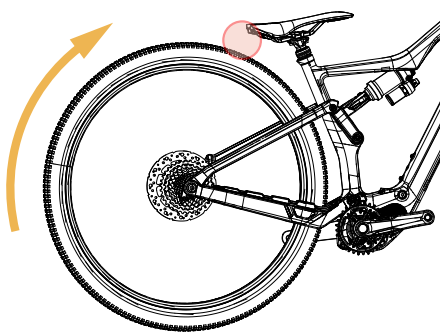
Para conocer todas las categorías ASTM, consulta el manual de usuario.



## DISTANCIA MÍNIMA ENTRE RUEDA Y SILLÍN EN MÁXIMA COMPRESIÓN



La distancia mínima entre la parte posterior del sillín y la rueda trasera cuando el basculante está en posición de máxima compresión del amortiguador y la tija en su posición más baja debe ser, como mínimo, de 25mm. Si esta distancia no es respetada, la rueda trasera podría contactar con el sillín, lo que puede producir el bloqueo de la rueda trasera, pudiendo derivar en accidentes y lesiones graves. Daños en los componentes por no respetar esta indicación no están cubiertos por las condiciones de la garantía.



## USO PREVISTO

El uso previsto de todos los modelos es ASTM Condition 4, que prevee su uso bajo las condiciones 1, 2 y 3, además de senderos naturales técnicos con numerosos obstáculos, de mayor desnivel y por lo tanto las velocidades alcanzadas son mayores. Saltos y cortados frecuentes y moderados.

Estos modelos, debido al terreno, deben ser inspeccionados después de cada uso. El uso en este tipo de terreno requiere habilidades técnicas y puede llevar a ciclistas principiantes a sufrir lesiones.

# 06 ADVERTENCIAS DE USO DEL SISTEMA DE ASISTENCIA ELÉCTRICA

## CUIDADOS Y RECOMENDACIONES DE USO DE LOS COMPONENTES ELÉCTRICOS Y LAS BATERÍAS

### AVISO

Consulta la sección Información Relevante de las Baterías Orbea para acceder y más información útil de uso, cuidados y solución de problemas de la batería interna y el Range Extender.



No utilices sistemas de terceros (no Shimano u Orbea) para modificar o deslimitar los parámetros de asistencia del sistema eléctrico. Hacerlo puede dañar los componentes de la bicicleta (mecánicos y del sistema de asistencia eléctrica) y ser causa de accidentes, incluso de muerte. Puede causar también riesgo de incendio. La modificación no autorizada o contemplada en la documentación del fabricante puede anular la cobertura de garantía de todos los componentes.

- No laves tu bicicleta con agua a presión ni sumerjas la bicicleta o los componentes eléctricos. Todos los componentes eléctricos están protegidos contra salpicaduras y lluvia. Sin embargo, el uso de agua a presión puede dañar los componentes y producir cortocircuitos.
- Evita usar tu bicicleta en condiciones meteorológicas muy adversas. Todos los componentes eléctricos están protegidos contra salpicaduras y lluvia. Sin embargo, condiciones meteorológicas muy adversas pueden dañar los componentes.
- Evita transportar tu bicicleta fuera de tu vehículo con lluvia. Todos los componentes eléctricos están protegidos contra salpicaduras y lluvia. Sin embargo, las velocidades alcanzadas por tu vehículo pueden acrecentar los efectos de la lluvia en los componentes eléctricos.

Si vas a transportar la bicicleta fuera de tu vehículo, retira el Range Extender de la bicicleta y comprueba que la tapa del puerto de carga está correctamente cerrada.

- No dejes tu bicicleta o batería expuesta a altas temperaturas durante largos periodos de tiempo. Las altas temperaturas alcanzadas podrían dañar los componentes eléctricos. Temperaturas superiores a 70° pueden causar fugas y peligro de incendio.
- Respeta los rangos de temperatura de uso (descarga), carga y almacenamiento de la bicicleta (batería interna) y Range Extender. El uso, carga o almacenamiento de las baterías fuera de estos rangos de temperatura puede afectar las celdas y reducir su vida útil y autonomía.

- La siguiente tabla de temperaturas refleja los límites máximos de uso, carga y almacenamiento previstos por el fabricante de las celdas.

En general, el uso, carga y almacenamiento de las baterías en temperaturas por debajo de 0°C hará que la autonomía por carga se vea reducida y hacerlo de manera continuada puede afectar la vida útil de la batería.

### RANGOS DE TEMPERATURA

Carga	0°C -40°C
Descarga (uso)	-10°C -40°C
Almacenamiento	0°C - 35°C. Humedad 5% — 65%

- Evita almacenar tu bicicleta (batería interna) o Range Extender durante largos periodos de tiempo sin vigilar el nivel de carga de las baterías.

Si planeas almacenar la batería durante un largo periodo de tiempo, carga la batería alrededor del 50% de su capacidad antes de almacenarla y comprueba el nivel de carga cada 3 meses (vuelve a cargarla al 50%). Nunca dejes que el nivel de carga baje del 10% para evitar daños a las celdas.

**USO DE LA BATERÍA POR DEBAJO DEL 10% DE CARGA:** Evita descargar la batería por uso de forma continuada por debajo del 10% de carga. Niveles de carga por debajo del 10% puede afectar la vida útil de las celdas y el balanceo de la carga.

- Evita dejar el cargador conectado a la batería durante largos periodos de tiempo de manera continuada y carga la batería bajo supervisión de manera que puedas desconectar el cargador si detectas alguna anomalía como humo, olor a quemado o fuego.

El cargador inteligente RS está diseñado para cortar el proceso de carga cuando la batería está completamente cargada para evitar daños a las celdas y que puedas cargar la batería sin preocupaciones. Sin embargo, siempre es recomendable supervisar la carga para evitar daños en caso de un funcionamiento defectuoso del cargador.

- Evita golpes y caídas de la batería interna y el Range Extender.

Si tras un golpe o impacto la carcasa externa de la batería muestra daños, no cargues o utilices la batería y contacta con un distribuidor autorizado para su diagnóstico.

- Realiza siempre las conexiones de los cables en la orientación correcta. La conexión de los cables sin observar la orientación correcta puede dañar los terminales.
- Antes de cada uso, comprobar que la tapa del punto de carga está correctamente instalada para evitar el ingreso de suciedad y agua en el puerto de carga.

No utilices herramientas metálicas para limpiar el puerto de carga en caso de que exista suciedad o algún cuerpo extraño.

No dañes los terminales del puerto de carga durante este proceso.

**AVISO**

Consulta la sección Información Relevante de las Baterías Orbea para acceder y más información útil de uso, cuidados y solución de problemas de la batería interna y el Range Extender.

Consulta la documentación de Shimano sobre el sistema STEPS EP801/EP6 y sus componentes:

Manual de usuario:

<https://si.shimano.com/es/um/7K70A>

Manual de distribuidor:

<https://si.shimano.com/es/dm/DUE001>

## MÁS INFORMACIÓN RELEVANTE DE LAS BATERÍAS DE ION-LITIO ORBEA EBIKE SYSTEM



Lee todo el Manual de usuario antes de usar las baterías y los cargadores Orbea Ebike Systems para tu seguridad.



Contacta con Orbea o un distribuidor autorizado para obtener información sobre la instalación y los ajustes de los productos que no se encuentran en el Manual de usuario. Se deben seguir las siguientes instrucciones en todo momento para evitar lesiones corporales y del equipo y al entorno. La información del siguiente manual es aplicable tanto para la batería interna como al Range Extender.

### AVISO DE COMPATIBILIDAD. COMPONENTES GEN2 DEL SISTEMA ELÉCTRICO

Los componentes Orbea Ebike Systems Gen2 están diseñados para garantizar su compatibilidad con los motores Shimano EP801 y EP6, y los componentes Shimano Gen2. Tanto las baterías internas, el Range Extender y el cargador Smart Charger están marcados con el distintivo Gen2 para identificar su compatibilidad con estos sistemas.

### INSTRUCCIONES DE SEGURIDAD DE LAS BATERÍAS Y ADVERTENCIAS

- Usa solamente el cargador específico Gen2 y sigue las condiciones de carga especificadas al cargar la batería. De lo contrario, podría ocasionarse el sobrecalentamiento, explosión o ignición de la batería.
- No dejes la batería cerca de fuentes de calor como calentadores, vehículos o cualquier lugar peligroso.
- No calientes la batería ni la arrojes al fuego.
- No deformes, modifiques, desarmes ni apliques soldadura directamente a la batería.
- No conectes los terminales (+) y (-) y otros terminales con objetos metálicos. No lles ni guardes la batería

junto con objetos metálicos como collares u horquillas. Podría resultar en cortocircuitos, sobrecalentamiento, quemaduras u otras lesiones.

- No sumerjas la batería en el agua y no permitas que los terminales de la batería se mojen. De lo contrario, podría resultar en sobrecalentamiento, explosión o ignición de la batería.
- No perfores o aplastes la batería
- Si hay fugas en la batería y el líquido entra en contacto con los ojos, la piel o la ropa, lava inmediatamente las áreas afectadas con abundantemente agua limpia y busca asistencia médica de inmediato. El líquido de la batería puede dañar tus ojos y piel.
- Si la batería no se carga por completo en el tiempo de carga designado (consulta la sección de especificaciones técnicas de componentes del sistema eléctrico) más 2 horas adicionales, desenchufa la batería del cargador y contacta con un distribuidor autorizado inmediatamente.
- No uses la batería si tiene algún daño externo.
- No uses la batería si tiene fugas, decoloración, deformación o cualquier otra anomalía.
- No cargues la batería en lugares mojados o muy húmedos, o al aire libre.
- No desconectes o conectes la batería el enchufe si está mojado. De lo contrario, puede provocar descargas eléctricas. Si sale agua desde el enchufe, sécalo bien antes de conectarlo.
- No guardes la batería bajo luz directa del sol o en lugares con excesivo calor (como el interior de un coche). Mantenla alejada del calor y llamas. Esto puede provocar fugas de la batería.
- Usa ambas manos cuando manejes el producto para evitar peligros y lesiones.
- Si se produce un error durante la descarga o la carga, deja de usar la batería inmediatamente y consulta el Manual del usuario. Si no estás seguro/a, consulta con Orbea o un distribuidor autorizado.
- No limpies la batería con agua a alta presión.
- No uses alcohol, solventes o limpiadores abrasivos para limpiar la batería o el cargador. Utiliza un paño seco o ligeramente húmedo.
- Los niños deben ser supervisados para asegurarse de que no jueguen con la batería y el cargador.
- Si la batería explota, contacta con los bomberos de inmediato y retira con precaución otras baterías si es posible, evacua a todas las personas del área de fuego inmediatamente y usa abundante agua fría (mínimo 10 veces el peso de la batería) para apagar el fuego.

### CONDICIONES PARA EL ALMACENAMIENTO DE LAS BATERÍAS

- Almacena las baterías en un lugar seguro fuera del alcance de los bebés y las mascotas.
- Si la batería se almacena a temperaturas fuera de este rango, puede resultar en incendios o daños a la batería.

- **Rango de temperatura de almacenamiento: 0°C ~35°C. Evite grandes cambios de temperatura. Humedad: 5%-65%.**
- Si no vas a usar la por un largo período de tiempo, guárdela con aproximadamente el 50% de la capacidad restante de la batería. Carga cada 3 meses al 50% para evitar daños a la batería.
- Guarda la batería o las bicicletas con la batería instalada en lugares frescos y cerrados (aprox. 0°C~35°C) en lugares no expuestos a la luz solar directa o lluvia. Si la temperatura del almacenamiento es baja o alta, el rendimiento de la batería se reducirá y la autonomía por carga podría disminuir. Al no usar la batería por un período de tiempo, asegúrate de cargarla antes de usarla.
- Temperaturas superiores a 70° pueden causar fugas y peligro de incendio.

### **CONDICIONES PARA EL USO DE LAS BATERÍAS**

- Los rangos de temperatura de funcionamiento de la batería se detallan a continuación. No uses la batería en temperaturas fuera de estos rangos.
- Podría ser motivo de incendios, lesiones o daños a la batería si la batería es usada a temperaturas que están fuera de estos rangos.
- **Usa la batería solamente dentro del rango de temperatura de descarga: -10 ° C ~ 40 ° C.**
- **Carga la batería solamente dentro del rango de temperatura de carga: 0 ° C ~ 40 ° C.**
- La batería debe cargarse a temperatura ambiental, en una superficie seca y no inflamable, lejos de cualquier fuente de calor, humedad o materiales inflamables.
- Si la batería se ha cargado en un entorno de baja temperatura (0°C o menos), se acortará la autonomía disponible por carga completa.
- Si deseas transportar la batería, ten en cuenta que se considera mercancía peligrosa bajo las regulaciones vigentes. Utiliza embalajes y transportistas homologados.

### **CONDICIONES PARA EL MONTAJE DE LA BATERÍA**

- No uses la batería inmediatamente después recibir la batería o la bicicleta. Asegúrate de cargarla completamente antes del primer uso.
- Apaga siempre la batería y/o la bicicleta antes de insertar o retirar la batería de la bicicleta.

### **CONDICIONES PARA LA CARGA E INSTRUCCIONES DE SEGURIDAD**

- La batería no está completamente cargada en el momento de la compra. Antes de andar en la bicicleta, asegúrate de cargar la batería completamente.
- Usa solamente el cargador original Gen2 para cargar la batería.
- Apaga siempre la bicicleta y/o la batería antes de conectar o desconectar el cargador al puerto de carga.

- Asegúrate de que el puerto de carga de la bicicleta y los enchufes estén siempre limpios y secos antes de conectar el cargador.
- Nunca uses el cargador si sospechas que está dañado o sabes que está roto.
- No desmontes ni modifiques el cargador de batería.
- Mantén siempre la tapa del puerto de carga cerrada si no estás cargando la batería.
- No introduzcas objetos metálicos en el puerto de carga de las baterías.
- No permitas que se moje el cargador de batería y no uses el cargador mientras esté mojado. No lo sujetes ni lo sostengas con las manos mojadas para evitar descargas eléctricas.
- No uses el cargador cuando está cubierto con un paño u otro material.
- No toques las partes metálicas de las baterías o cargador para evitar descargas eléctricas.
- No uses el cargador para cargar la batería al aire libre o en entornos con alta humedad y evita la exposición a la lluvia o al viento.
- Para evitar daños al cable no sujetes el cargador por el cable y evita enrollar el cable al cuerpo del cargador al guardarlo.
- No pedalees ni realice ningún tipo de operación de descarga de la batería al estar cargando la batería.
- Retira siempre el Range Extender antes de lavar la bicicleta con agua o cualquier otro tipo de material líquido.
- Espera una hora si deseas cargar la batería después de usarla, ya que la temperatura de la batería podría estar demasiado alta.
- Es recomendable cargar la batería en un área con un detector de humo.
- No se recomienda tener la batería conectada permanentemente al cargador para evitar daños a la batería en caso de mal funcionamiento de los circuitos de corte de carga.

### **RECICLAJE**

- Se deben clasificar las baterías, accesorios y embalajes para un reciclaje eco responsable.
- Las baterías de ion de litio son recursos reciclables y valiosos. Para obtener información sobre las baterías usadas, siga las regulaciones de su área. Si no está seguro, consulte con Orbea o un distribuidor autorizado.
- No deseches la batería como basura doméstica. Será aceptado en el punto de venta y debidamente dispuesto.

### **CONDICIONES DE INVALIDACIÓN DE GARANTÍA**

- Carga la batería al menos cada 3 meses hasta aproximadamente el 50% de su capacidad, incluso cuando la bicicleta no esté en uso.
- La garantía no cubre los productos contra el desgaste natural y el deterioro del uso normal y el envejecimiento.

- La vida útil de la batería variará según factores como el método de almacenamiento, las condiciones de uso, el entorno y las características de cada batería.
- Si la batería se ha agotado por completo, cárgala lo antes posible. Si no se carga la batería, puede deteriorarse y quedar inutilizable.
- No desarmes la batería u otras partes relacionadas, incluso la etiqueta, ya que puede causar la pérdida de la garantía de la batería.
- Consulta la sección de Garantía de este manual para más detalles sobre la garantía de productos Orbea y el proceso de reclamaciones de garantía.

## AUTONOMÍA

Los motores Shimano EP600 y EP801, junto a las baterías Orbea Ebike System, han sido diseñados para proporcionar la máxima autonomía disponible para un sistema de su reducido peso y dimensiones.

La autonomía disponible por carga dependerá en gran medida de factores como:

- **Modo de asistencia:** El uso de niveles de asistencia más potentes disminuirá la autonomía disponible.
- **Perfil de asistencia:** El perfil de asistencia seleccionado a través de la aplicación Shimano Etube Project variará la autonomía disponible. La selección de perfil de asistencia 2 supone elevar la potencia de cada modo de asistencia, por lo que la autonomía podría verse afectada.
- **Personalización de modos de asistencia:** Los valores de autonomía aproximados tienen en cuenta los valores de potencia de cada modo de asistencia según los ajustes originales de Orbea. La personalización de la entrega de potencia de cada modo a través de la aplicación Shimano Etube Project afectará la autonomía final de las baterías.
- **Temperatura:** La carga y uso de la batería en bajas temperaturas disminuirá la autonomía por carga.
- **Peso del ciclista y equipación/equipaje.**
- **Potencia de pedaleo del ciclista.**
- **Terreno y desnivel:** El uso en terreno roto y desniveles positivos afectará la autonomía disponible por carga.
- Paradas y arranques frecuentes pueden afectar la autonomía disponible.

## TRANSPORTE DE BATERÍAS DE BICICLETAS ELÉCTRICAS

El transporte de la batería interna Orbea y la batería externa Range Extender debe hacerse cumpliendo la normativa vigente y los medios de transporte permitidos para estos artículos. Las unidades deben ser siempre transportadas o enviadas usando el embalaje homologado original y un transportista homologado. Infórmate de las condiciones de manejo y transporte de este tipo de artículos en tu país.

Si el Range Extender o la batería interna deben ser enviados a Orbea para su reparación o diagnóstico, debe hacerse en el embalaje original homologado y mediante un transportista habilitado para baterías. Desde Orbea te informaremos de la mejor opción.

Si necesitas la documentación de seguridad de las baterías Orbea (MSDS) para su transporte o la empresa de envío te solicita esta documentación, contacta con Orbea para que te la facilitemos.

## TRANSPORTE DE BICICLETAS ELÉCTRICAS

Si planeas viajar con tu bicicleta eléctrica, infórmate de las condiciones de transporte de baterías o bicicletas eléctricas con batería instalada de la línea aérea que planeas usar para transportar tu bicicleta. La mayoría de aerolíneas comerciales no permiten el transporte de baterías con una capacidad mayor de 100Wh.

Si necesitas la documentación de seguridad de las baterías Orbea (MSDS) para su transporte o la empresa de envío te solicita esta documentación, contacta con Orbea para que te la facilitemos.





## ERGONOMÍA

El tubo de sillín Steep and Deep permite el uso de tijas telescópicas de largo recorrido en todas las tallas de cuadro, lo que te permite una elección más amplia de talla sabiendo que la altura de sillín siempre será la correcta (consulta la tabla de alturas máximas y mínimas de tijas telescópicas en esta sección).

Un cuadro con un Reach más corto será más ágil y manejable, mientras que una talla con un mayor Reach será más estable a altas velocidades. Elige la talla que mejor se adapte a tus necesidades.

RIDER HEIGHT	155	160	165	170	175	180	185	190	195	200	205
S	■										
M		■									
L			■								
XL				■							

Fast
Balanced
Nimble

\* Las medidas de la tabla de ergonomía y tallas son orientativas. El método más efectivo para saber qué talla se ajusta mejor a tí es probar la bicicleta en uno de nuestros distribuidores.

## ALTURAS MÁXIMAS Y MÍNIMAS DE SILLÍN CON TIJA TELESCÓPICA

En la siguiente tabla se detallan las alturas máximas y mínimas de sillín (en milímetros) con la tija telescópica en posición extendida por cada talla de cuadro.

La altura máxima de sillín se refiere a la altura de sillín con la tija instalada en su inserción mínima, definida por la tija.

La altura mínima de sillín se refiere a la altura de sillín con la tija instalada en su inserción máxima, definida por el cuadro.

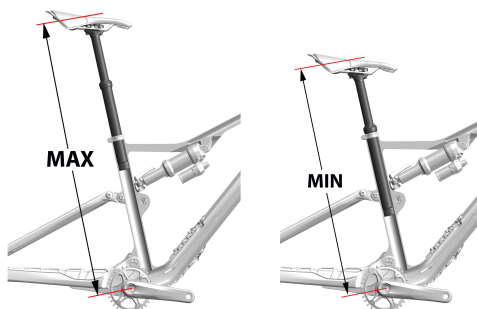
Sólo se detallan las alturas máximas y mínimas para las opciones de tija telescópica y sillines montados por Orbea para un cuadro en concreto. Para conocer estas cotas al utilizar una tija telescópica diferente, consulta las especificaciones con el fabricante de la tija y consulta las medidas de inserción máxima del cuadro en la sección de especificaciones técnicas de este manual.

### AVISO

Las cotas de la siguiente tabla definen la distancia entre el centro de la caja de pedalier hasta la mitad de la parte superior del sillín (modelos de sillín montados por Orbea).

Diferentes sillines en el mercado pueden variar las cotas dadas +/- 5mm dependiendo de la altura del modelo de sillín. Si tu altura de sillín difiere de una cota dada por menos de 5 mm, es posible ajustar esta altura instalando un modelo de sillín diferente disponible en el mercado.

Si tu altura de sillín difiere de las cotas dadas por más de 5 mm, debes elegir una tija telescópica de mayor o menor recorrido.



## CUADRO / TALLA

MODELO TIJA TELESCÓPICA	ALTURA SILLÍN EXTENDIDO	RISE H (S)	RISE H (M)	RISE H (L)	RISE H (XL)
OC DP-MC21 31.6x390mm 125mm Drop	Altura máxima sillín (mm)	760*	770*	780*	815*
	Altura mínima sillín (mm)	630*	640*	650*	685*
OC DP-MC21 31.6x440mm 150mm Drop	Altura máxima sillín (mm)	805*	820*	830*	860*
	Altura mínima sillín (mm)	655*	670*	675*	710*
OC DP-MC21 31.6x480mm 170mm Drop	Altura máxima sillín (mm)	850*	865*	870*	905*
	Altura mínima sillín (mm)	675*	690*	695*	730*
OC DP-MC21 31.6x550mm 200mm Drop	Altura máxima sillín (mm)	885*	900*	820*	940*
	Altura mínima sillín (mm)	720*	715*	725*	755*
OC DP-MC21 31.6x610mm 230mm Drop	Altura máxima sillín (mm)	900*	910*	850*	955*
	Altura mínima sillín (mm)	780*	775*	770*	790*
Fox Transfer SL 31.6x455mm 125mm Drop	Altura máxima sillín (mm)	825*	840*	850*	885*
	Altura mínima sillín (mm)	635*	645*	660*	690*
Fox Transfer 31.6x363mm 125mm Drop	Altura máxima sillín (mm)	720*	730*	740*	775*
	Altura mínima sillín (mm)	620*	630*	645*	675*
Fox Transfer 31.6x418mm 150mm Drop	Altura máxima sillín (mm)	770*	785*	795*	825*
	Altura mínima sillín (mm)	640*	655*	665*	700*
Fox Transfer 31.6x475mm 175mm Drop	Altura máxima sillín (mm)	830*	845*	850*	885*
	Altura mínima sillín (mm)	670*	685*	690*	725*
Fox Transfer 31.6x530,7mm 200mm Drop	Altura máxima sillín (mm)	835*	850*	855*	890*
	Altura mínima sillín (mm)	715*	710*	715*	750*
Fox Transfer 2025 31.6x411-150mm Drop	Altura máxima sillín (mm)	765*	775*	790*	820*
	Altura mínima sillín (mm)	645*	655*	670*	700*
Fox Transfer 2025 31.6x476-180mm Drop	Altura máxima sillín (mm)	830*	840*	855*	885*
	Altura mínima sillín (mm)	670*	680*	695*	730*
Fox Transfer 2025 31.6x541-210mm Drop	Altura máxima sillín (mm)	895*	905*	920*	950*
	Altura mínima sillín (mm)	735*	735*	735*	760*
Fox Transfer 2025 31.6x611-230mm Drop	Altura máxima sillín (mm)	965*	975*	995*	1020*
	Altura mínima sillín (mm)	805*	805*	785*	805*

\* Las medidas pueden variar +/-5mm dependiendo de la altura del modelo de sillín.

## ESPECIFICACIONES TÉCNICAS DEL CUADRO

	RISE H SL	RISE H LT
<b>MATERIAL</b>		
Triángulo delantero	Aluminio hidroformado. Doble y triple conificado	
Basculante	Aluminio hidroformado. Doble y triple conificado	
Bieleta	Aluminio	
Prolongador bieleta	Aluminio	Aluminio
<b>USO RECOMENDADO</b>		
Trail, All Mountain. ASTM Condition 4		
<b>TALLAS DISPONIBLES</b>		
S, M, L, XL		
<b>SISTEMA SUSPENSIÓN</b>		
Orbea Concentric Boost 2 Pivot		
ATTITUDE ADJUST (Cambio geometría)	No	Sí. Low-High Flip Chip prolongador amortiguador
RECORRIDO HORQUILLA	140 mm	160 mm
LONGITUD MÁXIMA DE HORQUILA (AXLE-TO-CROWN)	575 mm	
OFFSET HORQUILLA	44 mm	
RECORRIDO TRASERA	140 mm	150 mm
MEDIDAS AMORTIGUADOR (EYE-TO-EYE/STROKE)	Métrico. 210x50 mm	Métrico. 210x55 mm
<b>HARDWARE DEL AMORTIGUADOR</b>		
Front (Cuadro)	8x24.892 mm	
Rear (Extensor del amortiguador)	8x16,46 mm	
COMPATIBILIDAD AMORTIGUADORES DE MUELLE	Sí*	
COMPATIBILIDAD AMORTIGUADOR FOX FLOAT X2	No	
SAG RECOMENDADO	25-30%	
<b>ESTÁNDAR DE DIRECCIÓN</b>		
Orbea ICR HS02 SIC (Sealed Internal Cabling) No Spinblock		
<b>RODAMIENTOS DE DIRECCIÓN</b>		
Superior: 1-1/2 (con adaptador 1-1/2" a 1-1/8" para cableado interno)		
Inferior: 1-1/2		
<b>SEPARADORES DE DIRECCIÓN</b>		
Exclusivos HS02 Ver secciones Dirección y Potencia		
<b>SEPARADORES DE DIRECCIÓN MÁXIMOS</b>		
Debajo de la potencia: 30 mm		
<b>EJE PEDALIER</b>		
Eje motor Shimano EP801/EP6		
<b>LÍNEA CADENA</b>		
55 mm		
<b>TAMAÑO DE RUEDA</b>		
29"		
<b>COMPATIBLE MULLET</b>		
No		

	RISE H SL	RISE H LT
TAMAÑO MÁXIMO CUBIERTA TRASERA	29x2.5"	
TAMAÑO MÁXIMO CUBIERTA DELANTERA	Depende de la horquilla 29 x 2.5" en modelos especificados por Orbea	
PATA DE CAMBIO	Sram UDH (Universal Derailleur Hanger) Arandela 30mm	
COMPATIBLE CAMBIO SRAM T-TYPE	Sí	
ESTÁNDAR PUNTERAS TRASERAS	Boost 12x148 mm	
MEDIDAS EJE TRASERO	12x184 mm	
PASO DE ROSCA EJE TRASERO	1.0 mm	
LONGITUD ROSCA EJE TRASERO	15 mm	
EJE RUEDA DELANTERA	Depende del modelo de horquilla	
DIÁMETRO DE LA TIJA	31.6 mm	
DIÁMETRO ABRAZADERA DE LA TIJA	34.9 mm	
INSERCIÓN MÁXIMA DE LA TIJA	S: 295mm M: 312mm L: 320mm XL: 354mm	
COMPATIBLE TIJA TELESCÓPICA CABLEADO INTERNO	Sí	
DESVIADOR DELANTERO	No. Sólo monoplato	
PLATOS COMPATIBLES	Con estriado eje Shimano EP8/EP801/EP6. Línea cadena 55mm	
MÁXIMO TAMAÑO PLATO	34T	
MÍNIMO TAMAÑO PLATO	30T	
COMPATIBLE PLATO OVAL	No	
GUÍA CADENA	Si. Guía cadenas para motor Shimano E8000-EP8-EP801-EP6 Línea cadena 55mm	
ICGS	No	
BIELAS COMPATIBLES	Bielas para motor Shimano EP8/EP801/EP6	
Q-FACTOR	(EP801-EP6) 177 mm	
LONGITUD DE BIELA	165-175 mm	
COMPATIBILIDAD TRANSMISIONES	11S y 12S (1X). MTB Boost. Chainline 55mm	
COMPATIBLE Di2	Sí. Shimano XT RD-M8150 Conectado a motor (ver sección Conexión a Etube Professional)	
COMPATIBLE SRAM AXS	Si	
TIPO DE FRENOS	Disco. Post Mount**	
TAMAÑO MÁXIMO DISCO FRENO TRASERO	203 mm	
TAMAÑO MÍNIMO DISCO FRENO TRASERO	180 mm	
TAMAÑO MÍNIMO/MÁXIMO DISCO FRENO DELANTERO	Depende del modelo de horquilla Fox 34: 180-203 mm Fox 34 AWL: 160-203 mm	

	RISE H SL	RISE H LT
	Fox 36: 180–230 mm Fox 36 AWL HD: 160–230 mm	
	<b>SIC (Sealed Internal Cabling)</b>	
<b>CABLEADO</b>	<b>Cambio y freno trasero:</b> Interno en dirección, tubo diagonal y vainas. Funda completa.	
	<b>Freno delantero:</b> Externo	
	<b>Tija telescópica:</b> Interno en dirección, tubo diagonal y tubo de sillín. Funda completa.	
	<b>Sistema ebike:</b> Todo el cableado interno	
<b>COMPATIBLE CABLEADO FRENO TRASERO IZQUIERDA</b>	Sí	
<b>PORTA BIDÓN</b>	1. Todas las tallas de cuadro. Montaje de soporte Range Extender 210Wh o porta bidón estándar	
<b>HERRAMIENTAS</b>	Herramienta MT-20 en eje bieleta (opción) Leva eje rueda Allen 6mm	
<b>MOTORES COMPATIBLES</b>	Shimano EP801 RS/EP6 RS	
<b>ÁNGULO MONTAJE MOTOR</b>	13°	
<b>BATERÍAS INTERNAS ORBEA EBIKE SYSTEM COMPATIBLES</b>	420Wh Gen2 630Wh Gen2	
<b>RANGE EXTENDER ORBEA EBIKE SYSTEM COMPATIBLES</b>	210Wh Gen2	
<b>MONTAJE IMÁN SENSOR VELOCIDAD EBIKE</b>	En disco de freno trasero***	
<b>COMPATIBLE POTENCIÓMETRO</b>	No	
<b>COMPATIBLE PORTABULTOS</b>	No	
<b>COMPATIBLE GUARDABARROS FIJO</b>	No	
<b>COMPATIBLE SILLA NIÑO</b>	No	
<b>COMPATIBLE TRAILER</b>	No	
<b>PESO MÁXIMO RECOMENDADO (Ciclista+equipación+equipaje)</b>	Consulta el documento Pesos Máximos Recomendados de Producto Orbea en nuestra web	

\* No todos los amortiguadores de muelle en el mercado son compatibles con el cuadro. Todos los montajes especificados por Orbea están comprobados. Para montajes aftermarket, comprueba dimensiones y tolerancias antes de la compra.

\*\* No todos los modelos de pinza y disco en el mercado son compatibles con todos los cuadros. Todos los montajes especificados por Orbea están comprobados. Para montajes aftermarket, comprueba dimensiones y tolerancias antes de la compra.

\*\*\* DISCOS DE FRENO COMPATIBLES: Consulta la sección Componentes del Sistema Eléctrico para conocer las opciones de compatibilidad de discos de freno

## ESPECIFICACIONES TÉCNICAS SHIMANO EP801 Y EP600

### AVISO

Como norma general, los componentes Shimano montados en Rise 2025 marcados como Gen2 no son compatibles con componentes de primera generación. Consulta [aquí](#) la información de compatibilidad en la documentación del fabricante.

Consulta [aquí](#) el manual del sistema Shimano EP801/EP6. Recuerda que las baterías Orbea Ebike System Gen2 y el firmware de motor RS son exclusivos de Orbea.

UNIDAD DE TRANSMISIÓN	SHIMANO DU-EP801 RS	SHIMANO DU-EP6-RS
POTENCIA NOMINAL	250W	
VOLTAJE	36V	
TIPO	Brushless DC	
PAR MÁXIMO	85 N.m	
VELOCIDAD MÁXIMA	EU: 25 Km/h US E-Bikes Class 1: 20 Mph	
PESO	2,7 kg.	3,0 kg.
PERFILES DE ASISTENCIA	2 (RS/RS+) Seleccionables a través de Etube Project app o display Modificables a través de Etube Project app	
NIVELES DE ASISTENCIA (POR PERFIL)	BASIC MODE: 3 (ECO, TRAIL, BOOST) Modificables a través de Etube Project app FINE TUNE MODE: Hasta 15 (ECO, TRAIL, BOOST) Modificables a través de Etube Project app	
WALK ASSIST	Si	
ESTÁNDAR CABLEADO STEPS/DI2	EW-SD300	
CONEXIÓN LUCES	No en Rise Consulta sección Conexión a Etube Professional	
ÁNGULO DE MONTAJE EN RISE	13°	
UNIDAD DE INTERRUPTOR DE ASISTENCIA	SHIMANO SW-EN600-L Gen2	
FUNCIONES	Encendido/apagado bicicleta Cambio de nivel asistencia eléctrica Activación Walk Assist Navegación pantallas display Shimano (opción de montaje)	
MONTAJE	Manillar (Diámetro abrazadera 22.2mm)	
ESTÁNDAR CABLEADO STEPS/DI2	EW-SD300	
CONECTIVIDAD	Bluetooth LE (Shimano Etube Project/Shimano Ride apps) ANT Private	
ENCENDIDO/APAGADO LUCES	No activo en Rise	
MANUAL DEL FABRICANTE	<a href="https://si.shimano.com/es/dm/SCSW002">https://si.shimano.com/es/dm/SCSW002</a>	

<b>DISPLAY (opción)</b>	<b>SHIMANO SC-EN600</b>
<b>FUNCIONES</b>	Ver información fabricante: <a href="https://bike.shimano.com/en-EU/product/component/ep6-ep600/SC-EN600.html">https://bike.shimano.com/en-EU/product/component/ep6-ep600/SC-EN600.html</a>
<b>MONTAJE</b>	En manillar (abrazadera 35mm) En potencia OC MC11: Soporte específico
<b>ESTÁNDAR CABLEADO STEPS/DI2</b>	EW-SD300
<b>MANUAL DEL FABRICANTE</b>	<a href="https://si.shimano.com/es/um/7JD0A">https://si.shimano.com/es/um/7JD0A</a>
<b>CABLEADO</b>	<b>SHIMANO EW-SD300</b>
<b>SENSOR</b>	EW-SS301 760mm Montaje en vaina izquierda. Cableado interno
<b>IMAN</b>	En disco de freno trasero.
<b>CONECTORES</b>	EW-JC302/EWJC304 Dependiendo de montaje En interior manillar
<b>ESTÁNDAR CABLEADO STEPS/DI2</b>	EW-SD300

## ESPECIFICACIONES TÉCNICAS ORBEA E-BIKE SYSTEM GEN2

### AVISO

Consulta [aquí](#) la compatibilidad de los componentes Orbea Ebike System con los modelos ebike Orbea.

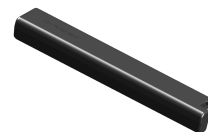
#### BATERÍA INTERNA ORBEA 420Wh GEN2

VOLTAJE	36V
CAPACIDAD	420 Wh
PESO	Aprox 1,96kg
CELDA	Ion-Litio. LG INR21700M58T
TIEMPO DE CARGA 100% (4A) Con RS Smart Charger Gen2	3.5 horas
TIEMPO DE CARGA 80% (4A) Con RS Smart Charger Gen2	2 horas
MONTAJE	Interno. En tubo diagonal. No desmontable por usuario.
CONEXIÓN	Cable harness a motor y puerto de carga
ESTANQUEIDAD	IPX6
CERTIFICACIONES	ISO13849 > ISO13849-1:2015 IEC62133 > IEC62133:2017 UN 38.3 Korea: KC XU103387-24002 US (UL) SGS 802543
COMPATIBILIDAD	Compatible con sistemas Orbea Ebike System Gen2 En modelos Orbea con motor Shimano EP801/EP6. <a href="#">Ver tabla de compatibilidad</a>



#### BATERÍA INTERNA ORBEA RS 630Wh GEN2

VOLTAJE	36V
CAPACIDAD	630 Wh
PESO	Aprox 2,88 kg
CELDA	Ion-Litio. LG INR21700M58T
TIEMPO DE CARGA 100% (4A) Con RS Smart Charger Gen2	5 horas
TIEMPO DE CARGA 80% (4A) Con RS Smart Charger Gen2	3 horas
MONTAJE	Interno. En tubo diagonal. No desmontable por usuario.
CONEXIÓN	Cable harness a motor y puerto de carga
ESTANQUEIDAD	IPX6



[Continues next page >](#)



**BATERÍA INTERNA ORBEA RS 630Wh GEN2**

<b>CERTIFICACIONES</b>	ISO13849 > ISO13849-1:2015
	IEC62133 > IEC62133:2017
	UN 38.3
	Korea: KC XU103387-24001 US (UL) SGS 802543

<b>COMPATIBILIDAD</b>	Compatible con sistemas Orbea Ebike System Gen2 En modelos Orbea con motor Shimano EP801/EP6. <a href="#">Ver tabla de compatibilidad</a>
-----------------------	---

**BATERÍA EXTERNA RANGE EXTENDER RS 210Wh GEN2**

<b>VOLTAJE</b>	36V
<b>CAPACIDAD</b>	210Wh
<b>PESO</b>	Aprox 1,03kg
<b>CELDAS</b>	Ion-Litio. LG INR21700M58T

<b>TIEMPO DE CARGA 100% (2A) Con RS Smart Charger Gen2</b>	3 horas
--	---------

<b>TIEMPO DE CARGA 80% (2A) Con RS Smart Charger Gen2</b>	2 horas
---	---------

<b>MONTAJE</b>	Portabidón específico en tubo diagonal
----------------	--

<b>CONEXIÓN</b>	Cable específico Rise 120mm
-----------------	-----------------------------

<b>ESTANQUEIDAD</b>	IPX6
---------------------	------

<b>CERTIFICACIONES</b>	ISO13849 > ISO13849-1:2015
	IEC62133 > IEC62133:2017
	UN 38.3
	Korea: KC XU103387-24003 US (UL) SGS 802543

<b>COMPATIBILIDAD</b>	Compatible con sistemas Orbea Ebike System Gen2 MC Rise y Urrun desde MY2025 <a href="#">Ver tabla de compatibilidad</a>
-----------------------	---

**CARGADOR DE BATERÍA SMART CHARGER RS 2A-4A GEN2**

<b>ENTRADA</b>	100-240V. 50-60Hz. AC
----------------	-----------------------

<b>SALIDA</b>	42V 4A DC
---------------	-----------

<b>CORRIENTE DE CARGA BATERÍA INTERNA</b>	4A
---	----

<b>CORRIENTE DE CARGA RANGE EXTENDER RS 210Wh</b>	2A El Smart Charger RS reconoce a qué batería está conectado y adapta la corriente de carga.
---	---

<b>RANGO DE TEMPERATURA DE CARGA</b>	0°C-40°C
--------------------------------------	----------

<b>VISUALIZACIÓN DE CARGA</b>	LED de visualización de proceso de carga y errores
-------------------------------	--



**CARGADOR DE BATERÍA SMART CHARGER RS 2A-4A GEN2****CERTIFICACIONES**

CB: IEC60335-1, IEC60335-2-29 CE: EN60335-1, EN60335-2-29  
RCM, SAA: AS/NZS 60335.2.29  
UKCA: BS/EN60335-1, BS/EN60335-2-29  
FCC: FCC PART 15B  
IC: ICES-003-Issue 7  
CE: UKCA: EN55014-1/2, EN610003-3/2  
C-TICK: AS/NZS CISPR 14.1

**COMPATIBILIDAD**

Compatible con sistemas Orbea Ebike System Gen2  
en modelos Orbea con motor Shimano EP801/EP6 desde gama 2023  
[Ver tabla de compatibilidad](#)

**CABLEADO ORBEA RS GEN2****CABLE HARNESS RISE 2025**

Conexión batería interna-puerto de carga-motor  
Protocolo comunicación: Shimano STEPS Gen2  
Estanqueidad: IP66  
Compatibilidad: Rise desde MY2025  
[Ver tabla de compatibilidad](#)

## 08 USO DE RISE

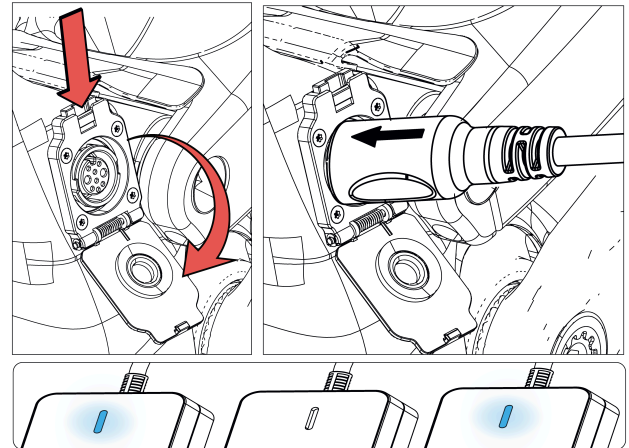
En esta sección se describe el funcionamiento básico del sistema Shimano STEPS EP801/EP6 en Rise y las particularidades exclusivas del sistema EP801RS /EP6RS de Orbea

Consulta también el manual de usuario del sistema Shimano EP801 aquí: <https://si.shimano.com/es/um/7K70A>

### AVISO

Puedes acceder a todos los manuales de usuario y distribuidor de componentes Shimano en: <https://si.shimano.com/es/>

Introduce el nombre del componente en el campo de búsqueda para acceder a los manuales de usuario y distribuidor, repuestos, etc.



Mientras el cargador esté conectado al puerto de carga, no se podrá encender la bicicleta.

Si deseas conocer el porcentaje exacto de carga restante, desconecta el cargador del puerto de carga, enciende la bicicleta y comprueba el nivel de carga en la mando remoto SW-EN600-L, el display o conecta la bicicleta a las aplicaciones Orbea RS Toolbox (Garmin) o Shimano Etube Project Cyclist (smartphones) para conocer el nivel de carga de la batería

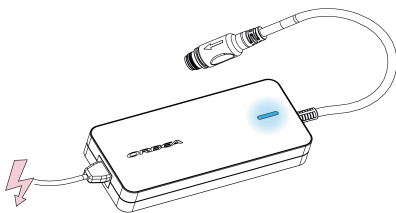
## CARGA DE LA BATERÍA INTERNA

### AVISO

Carga completamente la batería interna o el Range Extender antes de utilizar la bicicleta por primera vez.

## BATERÍAS INTERNAS ORBEA 420WH GEN 2 Y 630WH GEN2

Para cargar la batería interna, conecta el cargador a un enchufe. Sin el cargador conectado a la bicicleta, el LED del cargador parpadeará en azul.



Abre la tapa del puerto de carga de Rise y conecta el cargador alineando correctamente el conector con el puerto de carga.

Alinea correctamente los pines del cargador con los del punto de carga para evitar dañar los componentes.

El LED del cargador lucirá en azul de manera fija durante 2 segundos y luego empezará a encenderse y desvanecerse gradualmente de manera cíclica hasta que la batería esté completamente cargada.

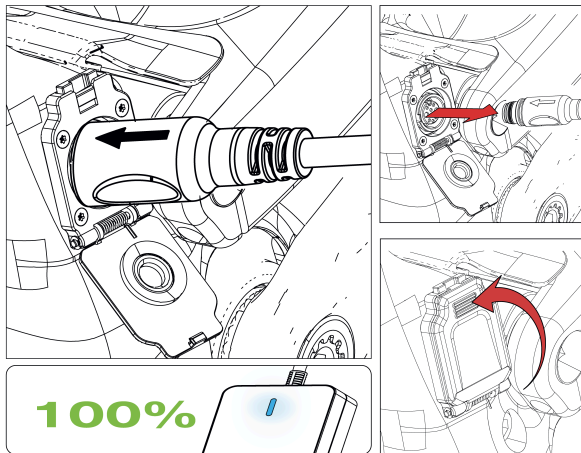
### AVISO

Si el LED del cargador luce rojo al conectar el cargador a un enchufe o durante la carga, existe un problema. Desconecta el cargador inmediatamente y consulta la sección de resolución de errores del cargador en este manual. Si el problema persiste, contacta con un distribuidor autorizado Orbea.



Cuando la batería esté completamente cargada, el LED del cargador volverá a lucir en azul de manera fija.

Desconecta el cargador del puerto de carga tirando con cuidado del conector del cargador. Asegúrate de que la tapa del puerto de carga queda correctamente cerrada

**AVISO**

Evita niveles de carga inferiores al 10% de manera continuada

Evita dejar el cargador conectado a la batería durante largos periodos de tiempo de manera continuada y carga la batería bajo supervisión de manera que puedas desconectar el cargador si detectas alguna anomalía como humo, olor a quemado o fuego

El cargador inteligente está diseñado para cortar el proceso de carga cuando la batería está completamente cargada para evitar daños a las celdas y que puedas cargar la batería sin preocupaciones. Sin embargo, siempre es recomendable supervisar la carga para evitar daños en caso de un funcionamiento defectuoso del cargador

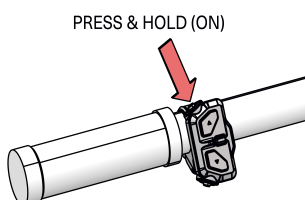
Las baterías de litio son sensibles a las temperaturas durante el proceso de carga. Respeta siempre los rangos de temperatura de carga, descarga y almacenamiento descritas en este manual.

## BATERÍA EXTERNA RANGE EXTENDER 210WH GEN2

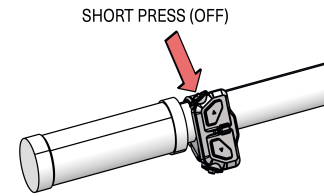
Consulta la sección específica sobre la batería externa Range Extender 210Wh RS Gen2 para conocer el proceso de carga y la visualización del nivel de carga del Range Extender.

## ENCENDIDO/APAGADO DE RISE

Para encender la bicicleta, pulsa durante 2 segundos el botón superior del mando remoto Shimano SW-EN600-L hasta que el nivel de carga de la batería, indicado en el LED superior, sea visible.



Para apagar la bicicleta, pulsa durante 0.5 segundos el botón superior del mando remoto Shimano SW-EN600-L hasta que los LEDs del mando remoto se apaguen.



## VISUALIZACIÓN DEL NIVEL DE CARGA DE LA BATERÍA

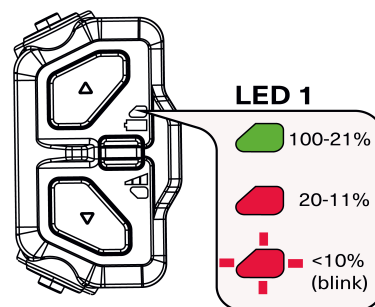
El nivel de batería de la bicicleta puede ser visualizado de varias maneras, dependiendo de la opción de montaje elegida.

**AVISO**

Cuando un Range Extender se encuentre conectado a la bicicleta, el sistema calculará la capacidad total de ambas baterías (batería interna y Range Extender). El nivel de carga mostrado por los métodos descritos a continuación será el restante en ambas baterías de manera conjunta teniendo en cuenta la capacidad total del sistema. Consulta la sección específica Range Extender de este manual para conocer el comportamiento del Range Extender y la visualización del nivel de carga conjunto.

## MANDO REMOTO SW-EN600-L

Con la bicicleta encendida, el LED 1 del mando remoto SW-EN600-L mostrará el nivel de carga de la(s) batería(s).



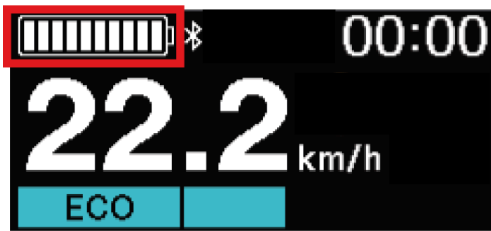
Consulta el manual del mando remoto Shimano SW-EN600-L aquí:

<https://si.shimano.com/es/um/ONMOA>

## DISPLAY SC-EN600

En montajes con display SC-EN600, el nivel de carga de la(s) batería(s) se mostrará en la pantalla.

Se muestra el nivel de la(s) batería(s) en 10 niveles. Se muestra en rojo cuando el nivel es del 10% o inferior.



Consulta el manual del display Shimano SC-EN600 aquí:

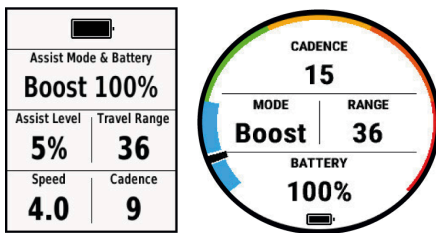
[https://si.shimano.com/es/manual/search?input\\_model=sc-en600](https://si.shimano.com/es/manual/search?input_model=sc-en600)

## DISPOSITIVOS GARMIN COMPATIBLES. ORBEA RS TOOLBOX

La aplicación Orbea RS Toolbox permite la visualización de datos relevantes de bicicletas Orbea con motor Shimano EP8/EP801/EP6 en tu dispositivo Garmin compatible, entre ellos el nivel de carga de la(s) batería(s) como porcentaje

Consulta el manual de la aplicación para dispositivos Garmin Orbea RS Toolbox en el siguiente enlace:

[Orbea RS Toolbox user manual](#)



## BATERÍAS ORBEA RS GEN2

### • Batería interna

Las batería internas no disponen de LEDs de visualización del nivel de carga. Para conocer el nivel de carga de la batería interna, ésta debe estar conectada al sistema de asistencia eléctrica para comprobar el nivel de carga a través de los métodos descritos previamente.

### • Range Extender 210Wh

Pulsa una vez el botón principal de la batería Range Extender para conocer el nivel de carga. Los LED lucirán mostrando el nivel de carga actual en segmentos de 25% de derecha a izquierda durante 5 segundos.

### AVISO

Consulta la sección específica sobre la batería externa Range Extender 210Wh RS Gen2 para conocer el proceso de carga y la visualización del nivel de carga del Range Extender.

## CAMBIO DEL NIVEL DE ASISTENCIA

### MANDO REMOTO SW-EN600-L

Para cambiar el modo de asistencia al pedaleo con la maneta SW-EN600-L, pulsa el botón X para subir el nivel de asistencia hasta el máximo disponible (Boost).

Pulsa el botón Y para bajar el nivel de asistencia hasta el nivel sin asistencia eléctrica.

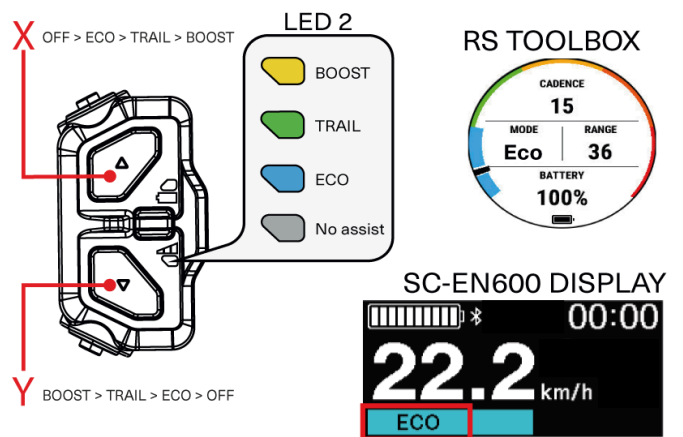
Los modos de asistencia disponibles son:

- OFF (sin asistencia eléctrica)
- ECO
- TRAIL
- BOOST

Al cambiar de modo de asistencia, el LED 2 de la maneta cambiará de color para mostrar el nivel de asistencia actual. En montajes con display, el nombre del nivel actual aparecerá en la pantalla.

La aplicación para dispositivos Garmin Orbea RS Toolbox también mostrará el nivel de asistencia seleccionado en la pantalla. Consulta el manual de la aplicación para dispositivos Garmin Orbea RS Toolbox en el siguiente enlace:

[Orbea RS Toolbox user manual](#)

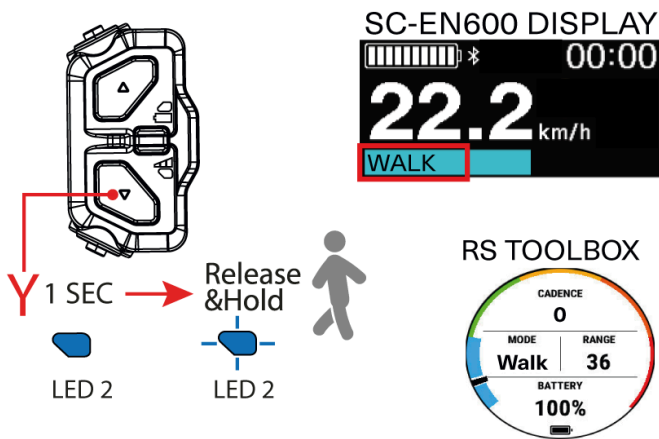


### ASISTENCIA DE LA MARCHA A PIE

Para activar el modo de asistencia a la marcha a pie, mantén pulsado durante 1 segundo el botón Y del mando remoto SW-EN600-L hasta que el LED 2 se ilumine en azul en el mando remoto.

Deja de pulsar el botón Y del mando remoto y vuelve a presionarlo para activar la asistencia a la marcha a pie. El sistema mantendrá activada la asistencia a la marcha a pie mientras sigas presionando el botón Y del remoto. Mientras existe asistencia a la marcha a pie el LED del mando remoto parpadeará en azul.

Para cancelar el modo WALK, pulsa el botón X del mando remoto.



Consulta el manual del mando remoto Shimano SW-EN600-L aquí:

<https://si.shimano.com/es/manual/search?model=SW-EN600-L>

Consulta el manual del display Shimano SC-EN600 aquí:

[https://si.shimano.com/es/manual/search?input\\_model=sc-en600](https://si.shimano.com/es/manual/search?input_model=sc-en600)

## PERFILES DE ASISTENCIA. RS/RS+

Los motores EP801RS y EP6RS ofrecen 2 perfiles de asistencia para sacar el máximo partido a Rise en cualquier circunstancia.

El perfil RS (perfil 1) ofrece una entrega de asistencia elástica en el rango de cadencia donde tu cuerpo trabaja de manera óptima y un par de hasta 56 N.m para aventuras épicas.

El perfil RS+ (perfil 2) está diseñado para senderos y subidas técnicas, donde la cadencia de pedaleo es menor, subiendo la entrega de par hasta los 85 N.m.

## SELECCIÓN DE LOS PERFILES DE ASISTENCIA

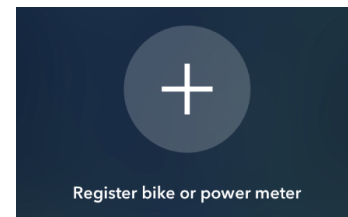
Se puede cambiar entre el perfil de asistencia RS (perfil 1) y el perfil RS (perfil 2) mediante la aplicación para smartphones Shimano Etube Project Cyclist o el display SC-EN600 (en modelos con esta opción).

### APLICACIÓN ETUBE PROJECT CYCLIST

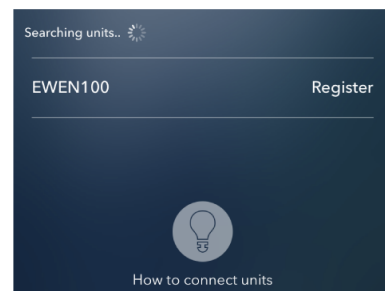


Descarga e instala Etube Project Cyclist en tu smartphone desde Google Play o Apple Store.

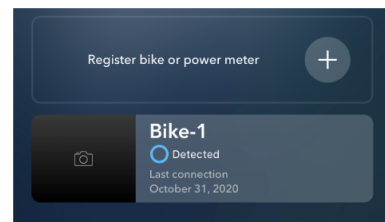
- 1. Abre Etube Project en tu smartphone.**  
Enciende la bicicleta y abre la aplicación en tu teléfono.
- 2. Selecciona Registrar Ebike.**



- 3. Selecciona la unidad a emparejar.** Si la unidad no es visible en la pantalla tras unos segundos, pulsa uno de los botones del mando de cambio de nivel de asistencia para activar la conexión.



- 4. Registra tu bicicleta en Etube Project.** Puedes elegir una contraseña para que sólo tú puedas realizar cambios en tu bicicleta. Si no deseas cambiar la clave, continúa al siguiente paso.



- 5. Selecciona la opción Asistencia en la pestaña Personalizar.**

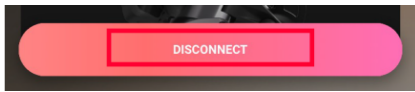


- 6. Selecciona el perfil que quieras activar en la bicicleta; Perfil 1 (RS) o Perfil 2 (RS+).**



- 7. Selecciona Aplicar para guardar los cambios.**

8. **Desconecta la bicicleta de la aplicación pulsando Desconectar.** El perfil seleccionado antes de desconectar será el activo al volver a encender la bicicleta.



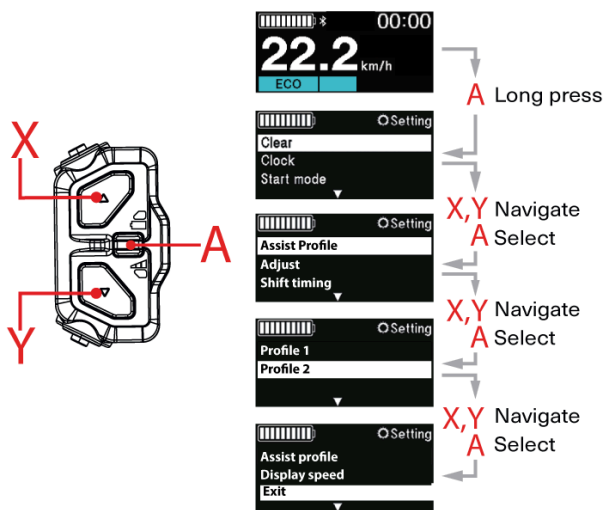
Consulta el manual completo de la aplicación Etube Project Cyclist aquí:

<https://si.shimano.com/es/um/7J4MA>

## DISPLAY SC-EN600

En modelos equipados con display Shimano, es posible seleccionar el perfil de asistencia a través del display.

1. **Mantén pulsado el botón A del mando remoto SW-EN-600- L para acceder al menú de Ajustes del display.**
2. **Usa los botones X,Y del mando remoto para navegar hasta el menú Perfil de asistencia. Pulsa en botón A para seleccionarlo.**
3. **Usa los botones X,Y para elegir el perfil de asistencia (Perfil 1=RS, Perfil 2=RS+) y selecciona pulsando A.**
4. **Usa los botones X, Y para navegar hasta Salir y selecciona pulsando A.** El perfil de asistencia seleccionado está activo en la bicicleta.



Consulta el manual completo del display SC-EN600 aquí:

[https://si.shimano.com/es/manual/search?input\\_model=sc-en600](https://si.shimano.com/es/manual/search?input_model=sc-en600)

## PERSONALIZACIÓN DE LOS NIVELES DE ASISTENCIA

Los niveles de potencia de cada nivel de asistencia pueden ser modificados mediante la aplicación para móviles Shimano Etube Project Cyclist, para una experiencia más personalizada.

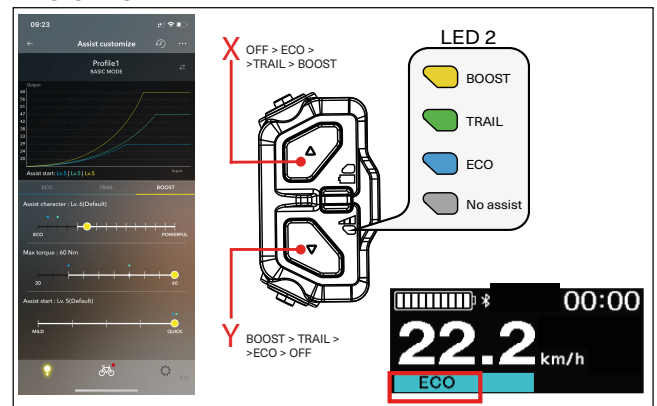
## PERFILES “BASIC MODE” Y “FINE TUNE”

Cada uno de los 2 perfiles de asistencia disponibles puede ser activado como perfil BASIC o FINE TUNE.

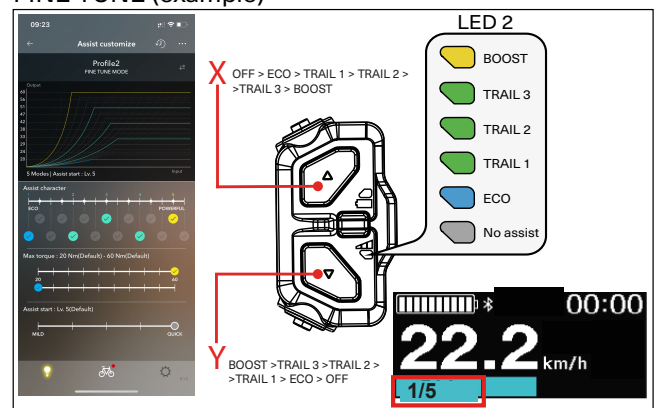
**BASIC MODE:** Dentro del perfil sólo hay tres niveles de asistencia seleccionables (ECO, TRAIL y BOOST). Las características de asistencia y par máximo de cada nivel pueden ser modificadas de manera independiente.

**FINE TUNE:** Dentro del perfil se pueden activar hasta 15 niveles de asistencia seleccionables mediante el mando remoto. Cada nivel se activa dentro de un lugar predeterminado de carácter de asistencia, y el par máximo y mínimo del motor puede ser modificado. Todos los niveles intermedios que se activen a partir de los dos primeros niveles serán visibles como TRAIL en el mando remoto (luz verde en el LED 2). En este modo, el nivel de asistencia elegido aparecerá en el display (en modelos con display) como la posición del mismo dentro del rango de los niveles activos hasta un máximo de 15.

### BASIC MODE



### FINE TUNE (example)



## PERSONALIZACIÓN DE LOS NIVELES DE ASISTENCIA Y ELECCIÓN DE TIPO DE PERFIL



1. **Conecta la bicicleta a la aplicación Etube Project Cyclist.**

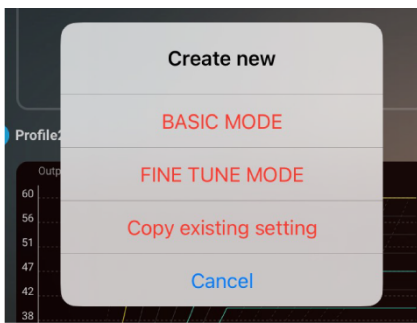
**AVISO**

Consulta la sección previa Selección de los perfiles de asistencia para conocer el método de conexión de la bicicleta a la aplicación para móviles Shimano Etube Project Cyclist.

2. Selecciona la opción **Asistencia** en la pestaña **Personalizar**.

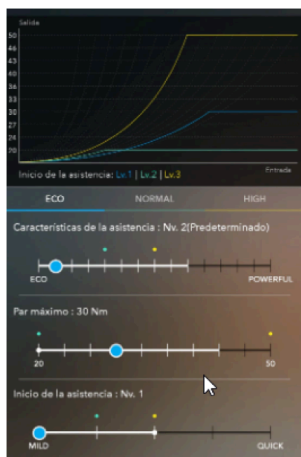


3. **Modifica los perfiles de asistencia entre BASIC MODE o FINE TUNE** Por defecto, ambos perfiles de asistencia están configurados en BASIC MODE, para añadir una configuración FINE TUNE, selecciona añadir una configuración en uno de los perfiles y elige la configuración.



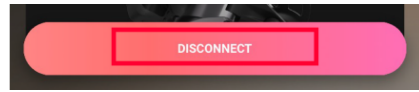
**MODIFICACIÓN DE LOS PARÁMETROS DE LOS NIVELES DE ASISTENCIA (BASIC MODE)**

1. En BASIC MODE, selecciona el nivel de asistencia (ECO, TRAIL, BOOST) y modifica sus parámetros de par máximo, carácter de la asistencia y comienzo de la asistencia. Para volver a los valores por defecto, posiciona los marcadores en la posición de las escalas con un punto blanco (Default).



2. Selecciona **Aplicar** para guardar los cambios.

Desconecta la bicicleta de la aplicación pulsando **Desconectar**.



Consulta el manual completo de la aplicación Etube Project Cyclist aquí:

<https://si.shimano.com/es/um/7J4MA>

**ERRORES/ADVERTENCIAS EN EL SISTEMA DE ASISTENCIA ELÉCTRICA**

Cuando se detecta un error o advertencia en el sistema, el LED 1 del mando remoto parpadeará en rojo. En montajes con displays SC-EN600, el código de error o advertencia se mostrará en la pantalla.

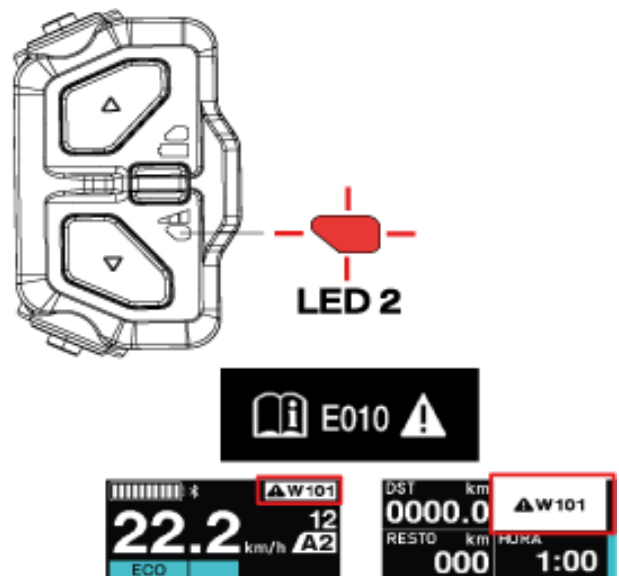
Reinicia la bicicleta y conéctala a la aplicación Shimano Etube Project Cyclist. En la sección Mantenimiento > Error Log podrás ver el error identificado y una solución para dicho error.

También puedes consultar el manual del sistema Shimano EP801/EP6 para conocer los códigos de error y sus soluciones. Consulta el listado de códigos de error y advertencias del sistema Shimano STEPS y su método de resolución en el siguiente link:

<https://si.shimano.com/es/error>

**AVISO**

Consulta como conectar la bicicleta a la aplicación Etube Project en la sección previa Selección de los perfiles de asistencia.







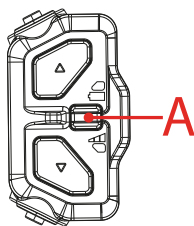
## MANEJO DEL DISPLAY MEDIANTE EL MANDO REMOTO SW-EN600-L

Mediante el mando remoto SW-EN600-L es posible navegar a través del display SC-EN600 (en modelos equipados con display). Pulsa el botón A del remoto para navegar entre las diferentes pantallas del display y acceder a información relevante de la bicicleta como odometría, distancia, cadencia, etc. Las pantallas secundarias pueden ser modificadas a través de la aplicación para móviles Etube Project Cyclist.

Mantén pulsado el botón A del mando remoto para acceder al menú del display y utiliza los botones X, Y y A del remoto para navegar y seleccionar opciones en el menú.

Los perfiles de asistencia 1 y 2 pueden ser seleccionados a través del display (consulta la sección específica en este manual para conocer el proceso de selección del perfil de asistencia mediante el display).

Consulta el manual del display Shimano SC-EN600 aquí: [https://si.shimano.com/es/manual/search?input\\_model=sc-en600](https://si.shimano.com/es/manual/search?input_model=sc-en600)

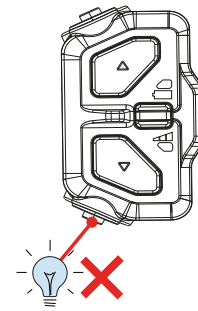


## CONEXIÓN DE LUCES EN RISE

### AVISO

Rise no está diseñada para la conexión de luces al motor EP801RS/EP6RS, por lo que los puertos de conexión del luces del motor y el botón de encendido/apagado de luces del mando remoto SW-EN600-L están deshabilitados.

Consulta la sección Conexión a Etube Professional de este manual para saber más.

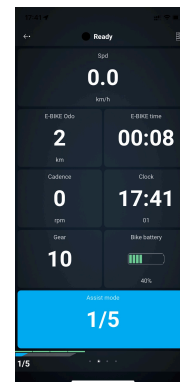


## APLICACIÓN E-TUBE RIDE

La aplicación para smartphones Shimano Etube Ride permite la conexión de la bicicleta mediante Bluetooth para la visualización de datos relevantes de la bicicleta, especialmente en montajes sin display, como odometría, nivel de carga de la batería, etc.

Descarga la aplicación de las tiendas Apple Store o Google Play para su instalación en tu teléfono.

Accede a más información sobre la aplicación Etube Rise y al manual de usuario aquí: <https://bike.shimano.com/es-ES/e-tube/ride.html>



## ORBEA RS TOOLBOX. CAMPO DE DATOS PARA DISPOSITIVOS GARMIN

Orbea RS Toolbox es una aplicación para dispositivos Garmin que permite la conexión de bicicletas eléctricas con motor Shimano EP8, EP801 y EP6 que se añade a tu unidad Garmin compatible como un campo de datos, y te permite visualizar información relevante de tu bicicleta durante tu ruta, así como grabar estos datos como parte de una actividad en Garmin Connect para su visualización posterior.

Descarga e instala Orbea RS Toolbox en tu dispositivo Garmin compatible desde [la tienda Garmin Connect IQ](#).

Consulta el manual del campo de datos Orbea RS Toolbox en el siguiente enlace:

[Orbea RS Toolbox user manual](#)

## AJUSTE DE SUSPENSIONES

### AJUSTE DE HORQUILLAS DE SUSPENSIÓN

#### HORQUILLAS FOX 34 (RISE SL)

Consulta el manual de usuario del fabricante de las horquillas de suspensión montadas en los diferentes modelos.

Pincha en los siguientes enlaces para acceder a la documentación:

[Página general de manuales Fox](#)

[Horquilla Fox 34 Float Performance Grip 140mm](#)

[Horquilla Fox 34 Float AWL Sport RAIL 140mm](#)

Las siguientes tablas dan valores aproximados. Los valores pueden variar dependiendo del estilo de pilotaje y características del terreno.

#### PRESIÓN DE AIRE RECOMENDADA PARA INICIAR EL AJUSTE DE SAG EN HORQUILLAS FOX 34 FLOAT PERFORMANCE Y AWL SPORT

Peso del ciclista		Presión de aire (psi)	
(lbs)	(kg)	34 Float Performance GRIP	34 Float AWL Sport RAIL
120-130	54-59	64	65
130-140	59-64	69	70
140-150	64-68	74	74
150-160	68-73	78	80
160-170	73-77	83	85
170-180	77-82	88	90
180-190	82-86	92	96
190-200	86-91	97	101
200-210	91-95	102	106
210-220	95-100	106	111
220-230	100-104	111	116
230-240	104-109	116	121
240-250	109-113	120	126

#### MEDIDAS DE SAG RECOMENDADO

Recorrido	15% sag (Firme)	20% sag (Suave)
140mm/ 5.5 in	21mm/ 0.8 in	28mm/ 1.1 in

#### AJUSTES DE REBOTE RECOMENDADO EN HORQUILLAS FOX 34 FLOAT PERFORMANCE Y AWL SPORT

El ajuste de rebote depende de la presión de aire. A mayor presión de aire, más cerrado deberá estar el circuito de rebote.

Usa la presión de aire final de tu horquilla para encontrar tu ajuste de rebote. Gira el dial de rebote hasta la posición de cerrado (gira en sentido horario). Luego cuenta tantos "clicks" como aparecen en la tabla en sentido anti horario.

Peso del ciclista		Ajuste rebote("Clicks")	
(lbs)	(kg)	34 Float Performance GRIP	34 Float AWL Sport RAIL
120-130	54-59	13	10
130-140	59-64	12	9
140-150	64-68	11	9
150-160	68-73	10	8
160-170	73-77	9	8
170-180	77-82	8	7
180-190	82-86	7	7
190-200	86-91	6	6
200-210	91-95	5	5
210-220	95-100	4	3
220-230	100-104	3	2
230-240	104-109	2	1
240-250	109-113	1	1

### AJUSTE DE LA COMPRESIÓN (34 PERFORMANCE GRIP)

**Micro ajuste de 3 posiciones** :El ajuste de 3 posiciones es útil para hacer ajustes rápidos y controlar el rendimiento de la horquilla en situaciones con terrenos cambiantes. La maneta de compresión sirve para hacer ajustes durante el uso de la bicicleta. Girar la maneta completamente en sentido anti horario deja la compresión en modo Open. Dejando la maneta en una posición intermedia deja la horquilla en modo Medium. Girar la maneta completamente en sentido horario deja la compresión en modo Firme. Las posiciones intermedias entre los 3 modos pueden usarse para ajustar la compresión en menores incrementos. Fox recomienda comenzar con la maneta en modo Open.

### AJUSTE DE LA COMPRESIÓN (34 AWL SPORT RAIL)

La horquilla Fox 34 AWL Sport montada en Rise SL no dispone de ajuste de compresión.

### REDUCTORES DE VOLUMEN DE AIRE

Modificar la cantidad de reductores de volumen de aire de la horquilla te permite cambiar seguir ajustando el comportamiento de la horquilla.

Configuración de reductores en horquilla Fox 34 Float Performance		
Recorrido	Reductores instalados de fábrica	Máx nº de reductores 10cc
140 mm	1	5

Configuración de reductores en horquilla Fox 34 AWL Sport		
Recorrido	Reductores instalados de fábrica	Máx nº de reductores
140 mm	3	4

## HORQUILLAS FOX 36 FLOAT (RISE LT)

Consulta el manual de usuario del fabricante de las horquillas de suspensión montadas en los diferentes modelos.

Pincha en los siguientes enlaces para acceder a la documentación:

[Página general de manuales Fox](#)

[Horquilla Fox 36 Float Performance Grip 160mm](#)

[Horquilla Fox 36 Float Factory Grip X 160mm](#)

[Horquilla Fox 36 Float AWL HD Sport RAIL 160mm](#)

Las siguientes tablas dan valores aproximados. Los valores pueden variar dependiendo del estilo de pilotaje y características del terreno.

### PRESIÓN DE AIRE RECOMENDADA PARA INICIAR EL AJUSTE DE SAG EN HORQUILLAS FOX 36

Peso del ciclista		Presión de aire (psi)	
(lbs)	(kg)	36 Float Performance GRIP/ Factory GRIP X	36 Float AWL HD Sport RAIL
120-130	54-59	66	71
130-140	59-64	70	76
140-150	64-68	74	81
150-160	68-73	78	85
160-170	73-77	82	90
170-180	77-82	86	95
180-190	82-86	89	99
190-200	86-91	94	104
200-210	91-95	99	109
210-220	95-100	105	113
220-230	100-104	109	115
230-240	104-109	113	117
240-250	109-113	117	120

### MEDIDAS DE SAG RECOMENDADO

Recorrido	15% sag (Firme)	20% sag (Suave)
160mm/ 5.5 in	24mm/ 0.9 in	32mm/ 1.3 in

### AJUSTES DE REBOTE RECOMENDADO EN HORQUILLAS FOX 36 FLOAT

El ajuste de rebote depende de la presión de aire. A mayor presión de aire, más cerrado deberá estar el circuito de rebote.

Usa la presión de aire final de tu horquilla para encontrar tu ajuste de rebote. Gira el dial de rebote hasta la posición de cerrado (gira en sentido horario). Luego cuenta tantos "clicks" como aparecen en la tabla en sentido anti horario.

Peso del ciclista		Ajuste de rebote ("Clicks")		
(lbs)	(kg)	36 Float Perf. GRIP	36 Float Fact. GRIP X (LSR)	36 Float AWL HD Sport RAIL
120-130	54-59	13	16	10
130-140	59-64	12	14	9
140-150	64-68	11	12	9
150-160	68-73	10	10	8
160-170	73-77	9	9	8
170-180	77-82	8	8	7
180-190	82-86	7	7	7
190-200	86-91	6	6	6
200-210	91-95	5	5	5
210-220	95-100	4	4	3
220-230	100-104	3	3	2
230-240	104-109	2	2	1
240-250	109-113	1	1	1

### AJUSTE DE LA COMPRESIÓN (36 GRIP)

**Micro ajuste de 3 posiciones :**El ajuste de 3 posiciones es útil para hacer ajustes rápidos y controlar el rendimiento de la horquilla en situaciones con terrenos cambiantes. La maneta de compresión sirve para hacer ajustes durante el uso de la bicicleta. Girar la maneta completamente en sentido anti horario deja la compresión en modo Open. Dejando la maneta en una posición intermedia deja la horquilla en modo Medium. Girar la maneta completamente en sentido horario deja la compresión en modo Firme. Las posiciones intermedias entre los 3 modos pueden usarse para ajustar la compresión en menores incrementos. Fox recomienda comenzar con la maneta en modo Open.

### AJUSTE DE LA COMPRESIÓN (36 GRIP X)

Utiliza los ajustes de la tabla a continuación como punto de partida. Gira los diales de compresión hasta la posición de cerrado (gira en sentido horario). Luego cuenta tantos "clicks" como aparecen en la tabla en sentido anti horario.

Desde la posición inicial recomendada, abrir el circuito de compresión (sentido anti-horario) hará la horquilla más suave, mientras que cerrarlo (sentido horario) hará la horquilla más firme.

Posición inicial de ajuste de compresión recomendada ("Clicks")	
<b>Compresión en alta velocidad (HSC)</b> Controla el comportamiento en grandes impactos, aterrizajes y obstáculos de bordes cuadrados.	10
<b>Compresión en baja velocidad (LSC)</b> Controla el comportamiento durante el pedaleo, cambios de peso, G-outs y cambios lentos	10

### AJUSTE DE LA COMPRESIÓN (36 AWL HD SPORT RAIL)

La horquilla Fox 34 AWL Sport montada en Rise SL no dispone de ajuste de compresión.

### REDUCTORES DE VOLUMEN DE AIRE:

Modificar la cantidad de reductores de volumen de aire de la horquilla te permite cambiar seguir ajustando el comportamiento de la horquilla.

#### Configuración de reductores en horquilla Fox 36 Float

Recorrido	Reductores instalados de fábrica	Máx nº de reductores 10cc
160 mm	2	6

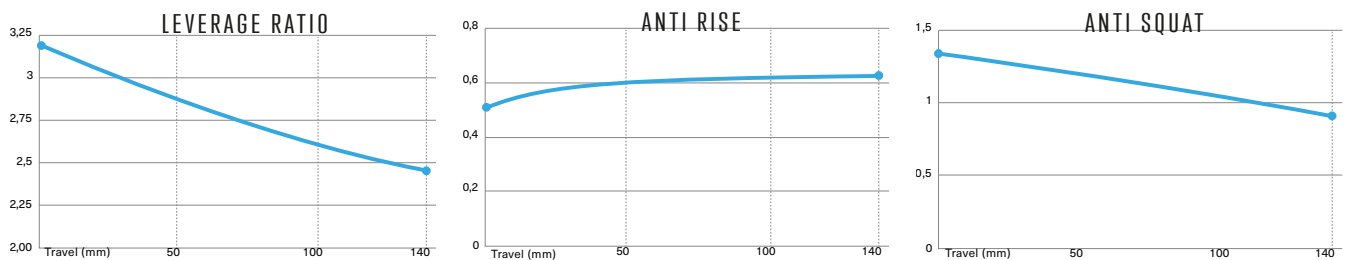
#### Configuración de reductores en horquilla Fox 36 AWL HD Sport

Recorrido	Reductores instalados de fábrica	Máx nº de reductores
140 mm	3	6

## AJUSTE DE AMORTIGUADORES

### AJUSTE DE AMORTIGUADORES EN RISE SL

#### CURVAS DE CINEMÁTICA DE LA SUSPENSIÓN EN RISE SL



Consulta el manual de usuario del fabricante de los amortiguadores montados en los diferentes modelos.

Pincha en los siguientes enlaces para acceder a la documentación:

[Página general de manuales Fox](#)

[2025 Fox Float Performance](#)

#### ESPECIFICACIONES AMORTIGUADORES FOX FLOAT EN RISE SL

FOX FLOAT PERFORMANCE 210x50      2025, FLOAT, P-S, A, 2pos, Evol LV, Orbea, Rise SL, 210, 50, 0.6 Spacer, CM1.1, SCLRM5, CML

#### SUGERENCIAS DE AJUSTE DE PRESIÓN DE AIRE DE LOS AMORTIGUADORES FOX FLOAT EN RISE SL

Ajusta la presión del amortiguador hasta conseguir la medida de SAG objetivo. Siempre mide el SAG con el dial de ajuste de la compresión en posición abierta (Open).

Las siguientes tablas dan valores aproximados, pueden variar dependiendo del estilo de pilotaje o condiciones del terreno.

Medición de SAG recomendado	<b>25-30%</b>
Equivalente en mm de SAG 25% en amortiguador 210x50	13 mm.
Equivalente en mm de SAG 30% en amortiguador 210x50	15 mm.

Ajusta la presión de aire del amortiguador hasta alcanzar el SAG objetivo. Un 25% de SAG te dará una sensación firme con más soporte, mientras que un SAG de 30% te proporcionará una sensación más suave de pilotaje.

## SUGERENCIAS DE AJUSTE DE REBOTE DE LOS AMORTIGUADORES FOX FLOAT EN RISE SL

Una vez alcanzado el SAG que deseas, ajusta el rebote dependiendo de la presión de aire en el amortiguador.

Usa la presión de aire final de tu amortiguador para encontrar tu ajuste de rebote. Gira el dial de rebote o compresión hasta la posición de cerrado (gira en sentido horario). Luego cuenta tantos "clicks" como aparecen en la tabla en sentido anti horario.

Presión de aire (psi)	Ajuste de rebote recomendado (clicks)
< 100	10
100-120	10
120-140	9
140-160	8
160-180	7
180-200	6
200-220	5
220-240	4
240-260	3
260-280	2
280-300	1

## AJUSTE DE LA COMPRESIÓN EN AMORTIGUADORES FOX FLOAT EN RISE SL

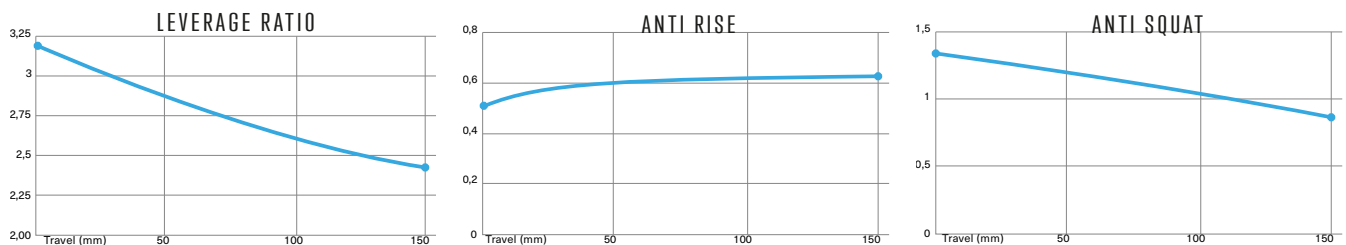
**Maneta de 2 posiciones:** La maneta de 2 posiciones es útil para hacer ajustes en marcha ara controlar el comportamiento del amortiguador en cambios significativos del terreno. Puedes usar el modo Open durante descensos técnicos y Firm para subidas sin muchas irregularidades. Fox recomienda comenzar en la posición Open.

## REDUCTORES DE VOLUMEN DE LA CÁMARA DE AIRE EN AMORTIGUADORES FOX FLOAT

Puedes ajustar la progresividad de la cámara de aire de tu amortiguador con reductores de volumen, que puedes adquirir en un distribuidor autorizado Fox.

## AJUSTE DE AMORTIGUADORES EN RISE LT

### CURVAS DE CINEMÁTICA DE LA SUSPENSIÓN EN RISE LT



Consulta el manual de usuario del fabricante de los amortiguadores montados en los diferentes modelos.

Pincha en los siguientes enlaces para acceder a la documentación:

[Página general de manuales Fox](#)

[2025 Fox Float Performance/Factory](#)

[2025 Fox Float X Performance/Factory](#)

## 2025 Fox DHX Factory

**ESPECIFICACIONES AMORTIGUADORES FOX FLOAT EN RISE LT**

FOX FLOAT PERFORMANCE 210x55	2025, FLOAT, P-S, A, 2pos, Evol LV, Orbea, Rise LT, 210, 55, 0.6 Spacer, CM1.1, SCLRM5, CML.
FOX FLOAT X PERFORMANCE 210x55	2025, FLOAT X, P-S, A, 2pos, Evol LV, Orbea, Rise LT, 210, 55, 0.5 Spacer, CS30, RL60, LML, Rezi B40
FOX FLOAT X FACTORY 210x55	2025, FLOAT X, F-S, K, 2pos-Adj, Evol LV, Orbea, Rise LT, 210, 55, 0.5 Spacer, CS30, RL60, LML, Rezi B40
FOX DHX FACTORY 210x55	2025, DHX, F-S, Cr, 2pos-Adj, Orbea, Rise LT, 210, 55, 400lbs/in, SLS, CS40, RL60, LMM, Rezi B60

**SUGERENCIAS DE AJUSTE DE PRESIÓN DE AIRE DE LOS AMORTIGUADORES FOX FLOAT / FLOAT X**

Ajusta la presión del amortiguador hasta conseguir la medida de SAG objetivo. Siempre mide el SAG con el dial de ajuste de la compresión en posición abierta (Open).

Las siguientes tablas dan valores aproximados, pueden variar dependiendo del estilo de pilotaje o condiciones del terreno.

Medición de SAG recomendado	25–30%
Equivalente en mm de SAG 25% en amortiguador 210x55	14 mm.
Equivalente en mm de SAG 30% en amortiguador 210x55	17 mm.

Ajusta la presión de aire del amortiguador hasta alcanzar el SAG objetivo. Un 25% de SAG te dará una sensación firme con más soporte, mientras que un SAG de 30% te proporcionará una sensación más suave de pilotaje.

**SUGERENCIAS DE AJUSTE DE REBOTE DE LOS AMORTIGUADORES FOX FLOAT Y FLOAT X EN RISE LT**

Una vez alcanzado el SAG que deseas, ajusta el rebote dependiendo de la presión de aire en el amortiguador.

Usa la presión de aire final de tu amortiguador para encontrar tu ajuste de rebote. Gira el dial de rebote o compresión hasta la posición de cerrado (gira en sentido horario). Luego cuenta tantos “clicks” como aparecen en la tabla en sentido anti horario.

Presión de aire (psi)	Ajuste de rebote recomendado (clicks)
< 100	10
100–120	10
120–140	9
140–160	8
160–180	7
180–200	6
200–220	5
220–240	4
240–260	3
260–280	2
280–300	1



## AJUSTE DE LA COMPRESIÓN EN AMORTIGUADORES FOX FLOAT EN RISE LT

**Maneta de 2 posiciones:** La maneta de 2 posiciones es útil para hacer ajustes en marcha para controlar el comportamiento del amortiguador en cambios significativos del terreno. Puedes usar el modo Open durante descensos técnicos y Firm para subidas sin muchas irregularidades. Fox recomienda comenzar en la posición Open.

**Ajuste del modo Open (Float Factory):** Este ajuste es útil para regular el comportamiento del amortiguador durante cambios de peso del piloto, g-outs y cambios lentos del terreno. Levanta el dial de ajuste del modo Open, colócale en una de las posiciones disponibles (1, 2, 3) y presiona el dial de ajuste para bloquear el ajuste en posición. Fox recomienda comenzar en la posición 1.

## AJUSTE DE COMPRESIÓN DE LOS AMORTIGUADORES FOX FLOAT X

**Maneta de 2 posiciones:** La maneta de 2 posiciones es útil para hacer ajustes en marcha para controlar el comportamiento del amortiguador en cambios significativos del terreno. Puedes usar el modo Open durante descensos técnicos y Firm para subidas sin muchas irregularidades. Fox recomienda comenzar en la posición Open. La posición Open utiliza los ajustes del dial de LSC (Low Speed Compression).

**LSC (LOW SPEED COMPRESSION):** El dial LSC permite los ajustes de compresión de baja velocidad. Gira el dial en sentido horario para aumentar la compresión y en sentido anti-horario para menos compresión. Fox recomienda comenzar con el dial en la posición Open (dial completamente girado en sentido horario).

Los ajustes de compresión LSC sólo tendrán efecto cuando la maneta de 2 posiciones de compresión está en la posición Open.

## REDUCTORES DE VOLUMEN DE LA CÁMARA DE AIRE EN AMORTIGUADORES FOX FLOAT X

Puedes ajustar la progresividad de la cámara de aire de tu amortiguador con reductores de volumen, que puedes adquirir en un distribuidor autorizado Fox.

Talla	Volumen de reductores instalados de fábrica	Máximo volumen de reductores
210x55	0.5	1.0

## SUGERENCIAS DE AJUSTE DE PRECARGA DE LOS AMORTIGUADORES DHX

Las siguientes tablas dan valores aproximados, pueden variar dependiendo del estilo de pilotaje o condiciones del terreno.

Medición de SAG recomendado	30%
Equivalente en mm de SAG 30% en amortiguador 210x55	16.5 mm.

## AJUSTE DE COMPRESIÓN DE LOS AMORTIGUADORES FOX DHX

**Maneta de 2 posiciones:** La maneta de 2 posiciones es útil para hacer ajustes en marcha para controlar el comportamiento del amortiguador en cambios significativos del terreno. Puedes usar el modo Open durante descensos técnicos y Firm para subidas sin muchas irregularidades. Fox recomienda comenzar en la posición Open. La posición Open utiliza los ajustes del dial de LSC (Low Speed Compression).

**LSC (LOW SPEED COMPRESSION):** El dial LSC permite los ajustes de compresión de baja velocidad. Gira el dial en sentido horario para aumentar la compresión y en sentido anti-horario para menos compresión. Fox recomienda comenzar con el dial en la posición Open (dial completamente girado en sentido horario).

Los ajustes de compresión LSC sólo tendrán efecto cuando la maneta de 2 posiciones de compresión está en la posición Open.

## AJUSTE DE REBOTE DE LOS AMORTIGUADORES FOX DHX

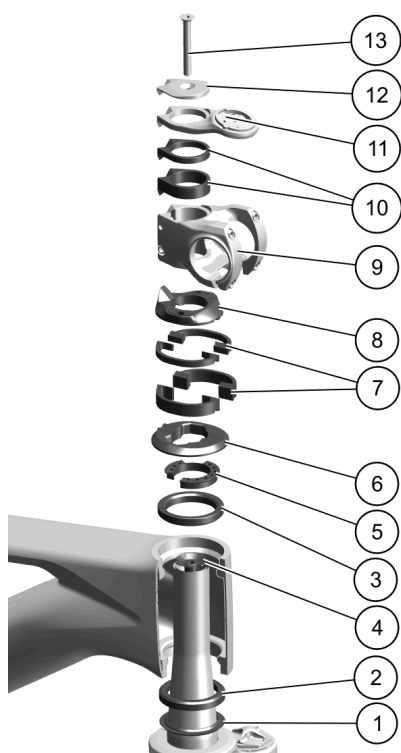
El dial de rebote controla cómo de rápido el amortiguador se extiende tras ser comprimido. Girar el dial de rebote en sentido horario ralentiza la extensión del amortiguador, mientras que girarlo en sentido anti-horario la acelera. Fox recomienda comenzar con el dial en la posición intermedia.

## 09 DIRECCIÓN HS02

### AVISO

En esta sección se detallan las particularidades del montaje de la dirección ICR HS02 en Rise. Para una visión general de este estándar de dirección Orbea, así como las instrucciones de montaje, accesorios, etc, consulta el manual específico [Orbea ICR Headset Standards](#) en nuestra web: (**Soporte > Manuales > Technologies**).

### ELEMENTOS DE LA DIRECCIÓN HS02 EN RISE HYDRO



1. Pista de rodamiento 1-1/2" horquilla
2. Rodamiento inferior 1-1/2"
3. Rodamiento superior 1-1/2"
4. Araña tubo horquilla aluminio
5. Anillo compresión HS02-01
6. Tapa dirección cuadro HS02-14
7. Separadores de dirección split 5/10mm HS02-03/04
8. Colector SIC Regular Stack HS02-05
9. Potencia OC Mountain Control (ver sección Potencias de este manual)
10. Separadores de dirección 5/10mm HS02-07/08
11. Soporte GPS OC CM-05 (ver sección específica de este manual)
12. Tapa potencia MC HS02-31
13. Tornillo precarga dirección

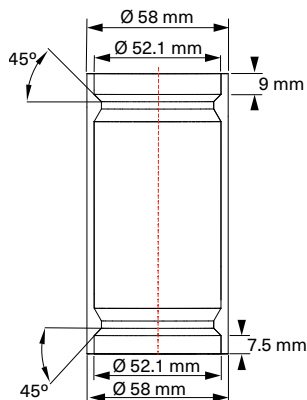
### AVISO

Consulta la sección de recambios de este manual para conocer las referencias de todos los componentes.



## ESPECIFICACIONES DE DIRECCIÓN HSO2 EN RISE

### DIMENSIONES DE LA PIPA DE DIRECCIÓN



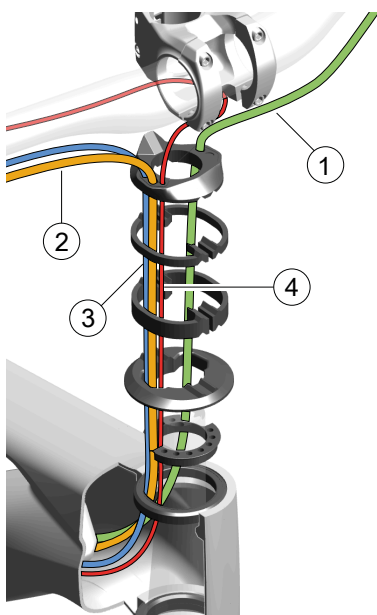
### ESPECIFICACIONES DE LA DIRECCIÓN. RISE 2025

	SUPERIOR	INFERIOR
<b>TIPO</b>	1-1/8" Integrada rodamiento 1-1/2" con adaptador SIC 1-1/8"	1-1/2" Integrada
<b>ID*</b>	52,1mm	52,1mm
<b>OD**</b>	58mm	58mm
<b>Ángulo de la pista de rodamiento</b>	45°	45°
<b>Ángulo anillo de compresión / pista horquilla</b>	45°	45°
<b>SHIS CODE</b>	IS52/40	IS52/40
<b>Dimensiones del rodamiento</b>	Angular contact bearing 52x40x7mm	Angular contact bearing 52x40x7mm
<b>OPCIÓN COLECTOR "LOW STACK"</b>	No	—
<b>FUNCIÓN SPINBLOCK (Limitación de giro)</b>	No	—

\* ID: Diámetro interno de la pipa de dirección.

\*\* OD: Diámetro externo de la pipa de dirección.

## GUIADO DE CABLES EN DIRECCIÓN HSO2 EN RISE

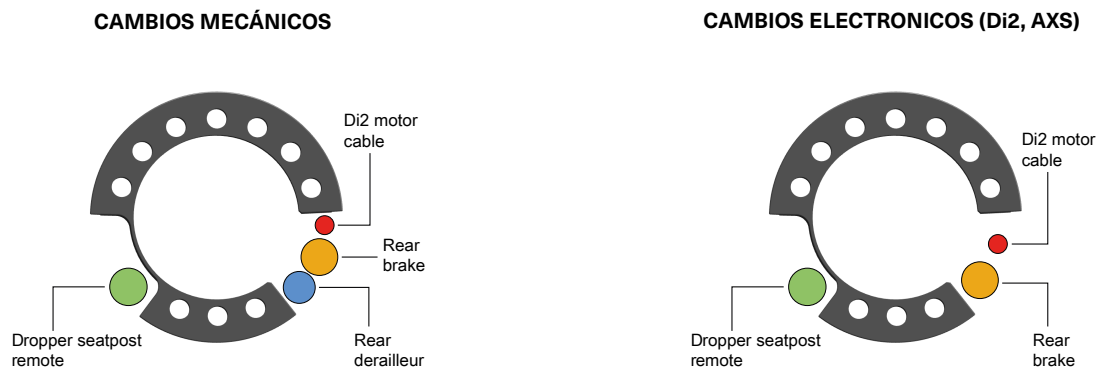


1. Remoto de la tija telescópica
2. Freno trasero\*
3. Cambio trasero (mecánico)
4. Cable motor Di2\*\*

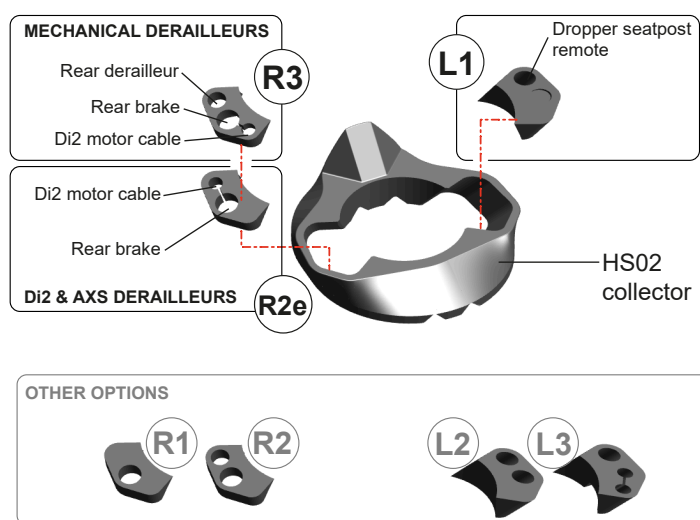
\*En montajes con freno trasero a la izquierda, el latiguillo de freno entra en la dirección por el lado derecho del colector.

\*\*Consulta la sección sobre el sistema eléctrico de este manual para más detalle sobre el cableado de componentes Shimano a través de la potencia y el manillar.

## POSICIÓN DE CABLES EN EL ANILLO DE COMPRESIÓN DE LA DIRECCIÓN



## GOMAS SIC DE ENTRADA DE CABLES AL COLECTOR HS02



Consulta el manual [Orbea ICR Headset Standards](#) en nuestra web para más detalle sobre las opciones de gomas SIC no utilizadas en montajes de serie.

## MONTAJE DE LA DIRECCIÓN HS02

### AVISO

La posición de cables a través de la dirección y los componentes específicos de su montaje en Rise se detallan en las secciones previas de este manual técnico.

### AVISO

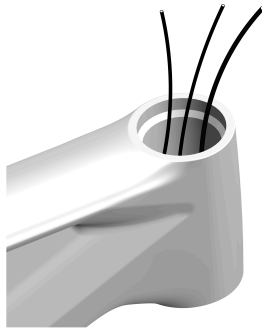
Esta es una guía general de montaje de la dirección HS02.

La instalación de la dirección HS02 implica la instalación de las líneas de freno y transmisión a las manetas y posiblemente el purgado de líneas de freno hidráulicas. Si como usuario no dispones de los conocimientos mecánicos necesario para realizar esos trabajos para garantizar la instalación de manera segura, lleva tu bicicleta a un distribuidor autorizado para realizar la instalación. Daños en los componentes debidos a una instalación incorrecta no están cubiertos por las condiciones de la garantía.

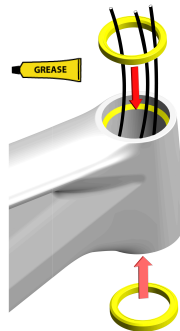


La instalación incorrecta de la dirección y/o las líneas de freno y transmisión puede ser causa de accidentes y lesiones graves, incluso la muerte.

1



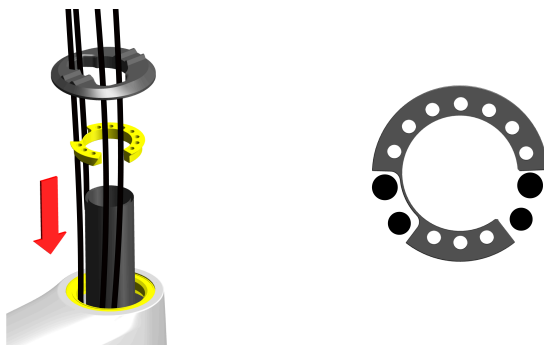
2



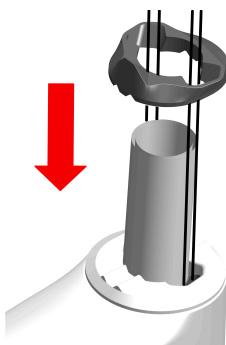
3



4



5



1. Guía los latiguillos de freno trasero, tija telescópica, amortiguador y cambio (en caso de utilizar grupos de transmisión mecánicos) y extráelos a través de la parte superior de la pipa de dirección.

Los elementos cableados a través de la dirección varían dependiendo del montaje específico. Consulta las secciones previas de este manual para el detalle de los componentes cableados a través de la dirección HS02.

2. Aplica y extiende grasa de montaje en los alojamientos del cuadro y rodamientos superior e inferior del tubo de dirección e instálalos en el cuadro, guiando las líneas de frenos y cambios a través de ellos.

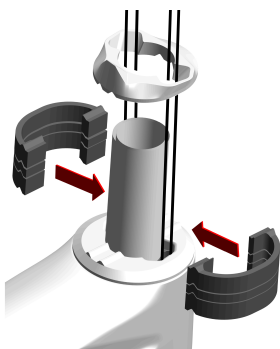
3. Introduce la horquilla con la pista del rodamiento inferior ya instalada, en la pipa de dirección y habiendo instalado previamente la araña (o el expansor en horquillas con tubo de dirección de carbono) de fijación del tornillo de precarga de la potencia en el tubo de dirección de la horquilla.

4. Coloca el anillo de compresión guiando los latiguillos de freno, fundas de cambios, etc. a través de los canales de cableado y orientándolos hacia su lugar de instalación en el manillar. Posteriormente, instala la tapa de la dirección.

Los elementos cableados a través de la dirección varían dependiendo del montaje específico. Consulta las secciones previas de este manual para el detalle de los componentes cableados a través de la dirección HS02.

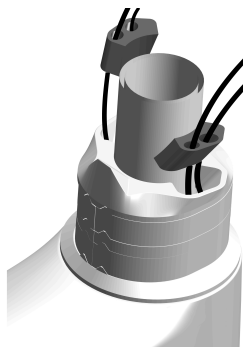
5. Coloca el colector SIC. En caso de utilizar potencias específicas OC se deberá colocar el colector HS02-05 con perfil específico. Para instalar potencias estándar se deberá utilizar el colector universal HS02-06 (consulta la sección de recambios de este manual).

6



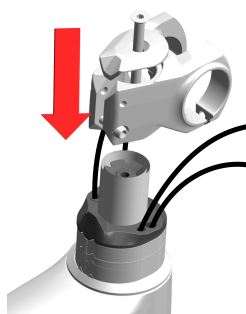
6. Instala tantos separadores split HS02 de 5 ó 10 mm como sea necesario (consulta la altura máxima permitida de separadores de dirección por debajo de la potencia para tu modelo de bicicleta en la tabla de especificaciones técnicas).

7



7. Instala las gomas de cableado específicas para el montaje de tu bicicleta (Consultar sección de cableado de dirección HS02).

8



8. Instala la potencia OC compatible con la dirección HS02. Consulta la sección sobre potencias de este manual para para conocer las instrucciones de instalación específicas para cada modelo de potencia OC.

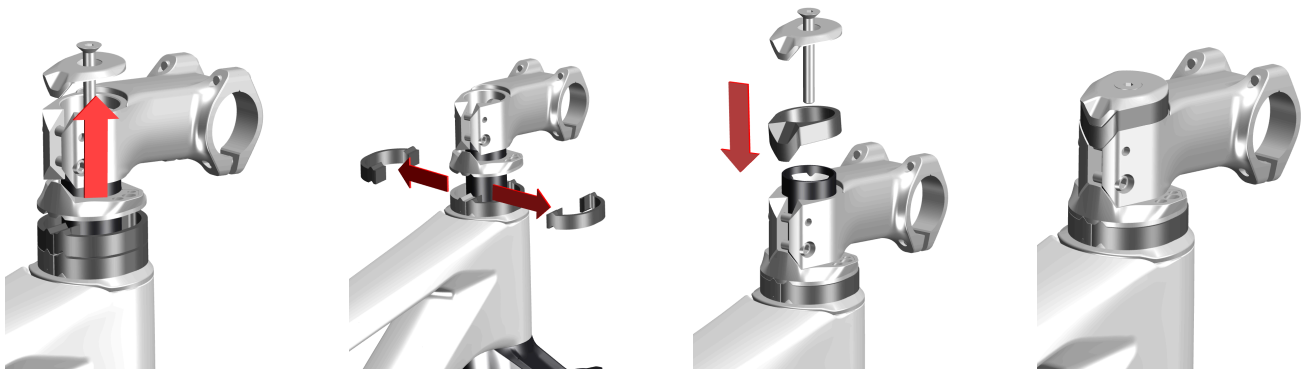
## QUITAR O AÑADIR SEPARADORES DE DIRECCIÓN.

En montajes de dirección HS02 es posible regular la altura de la potencia añadiendo o quitando separadores de dirección. Los separadores HS02-03 y 04 de 10 y 5mm están compuestos de dos mitades que te permiten retirarlos o instalarlos sin interferir con el cableado.

Al quitar separadores de dirección de debajo de la potencia, si no se corta el tubo de dirección de la horquilla para adaptarlo a la nueva posición de la potencia, es necesario instalar tantos milímetros en separadores de dirección por encima de la potencia como se han quitado de debajo de la potencia. Las potencias OC HS02 tienen separadores específicos para su instalación encima de la potencia, estos son los separadores de dirección HS02-07 y 08

### AVISO

Al quitar separadores de dirección de debajo de la potencia, si no se corta el tubo de dirección de la horquilla para adaptarlo a la nueva posición de la potencia, es necesario instalar tantos milímetros en separadores de dirección por encima de la potencia como se han quitado de debajo de la potencia. Las potencias OC HS02 tienen separadores específicos para su instalación encima de la potencia, estos son los separadores de dirección HS02-07 y 08.

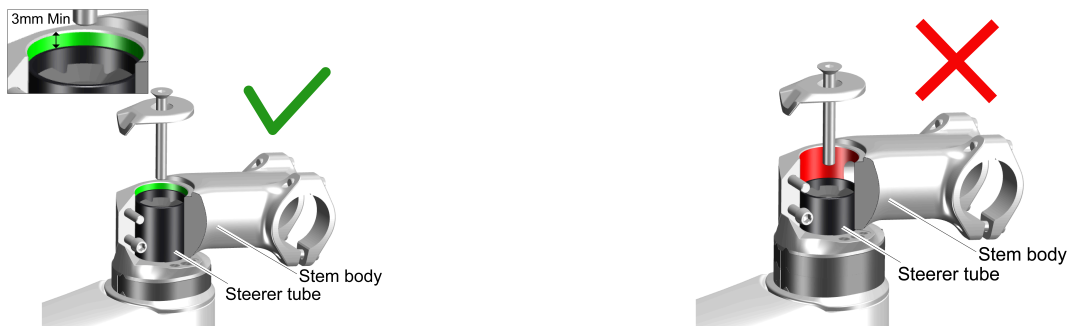


### Máximo número de separadores de dirección.

Consulta la cantidad máxima de separadores de dirección que admite tu modelo Orbea con dirección HS02. No instales más separadores que los especificados para el modelo.

A la hora de instalar separadores, asegúrate de que la longitud del tubo de dirección de la horquilla es lo suficientemente largo para permitir el correcto y seguro montaje de la potencia y que la longitud de los cables lo permite. El borde superior del tubo de la horquilla debe quedar por encima del tornillo de amarre superior de la potencia. En caso de instalar separadores de dirección por encima de la potencia, el borde superior del tubo de dirección de la horquilla debe quedar lo más cerca posible del borde superior del separador de dirección más alto, pero aún permitiendo la correcta instalación de la tapa de la potencia para una correcta precarga de la dirección.

La distancia entre el extremo superior del tubo de dirección de la horquilla y la superficie de instalación de la tapa de precarga de la potencia debe ser de al menos 3mm para permitir la correcta precarga de la dirección.



### AVISO

Para desmontar o añadir separadores de dirección es necesario aflojar y volver a instalar la potencia. Consulta las instrucciones de montaje y pares de apriete de las potencias OC en el manual específico de potencias OC MTB.

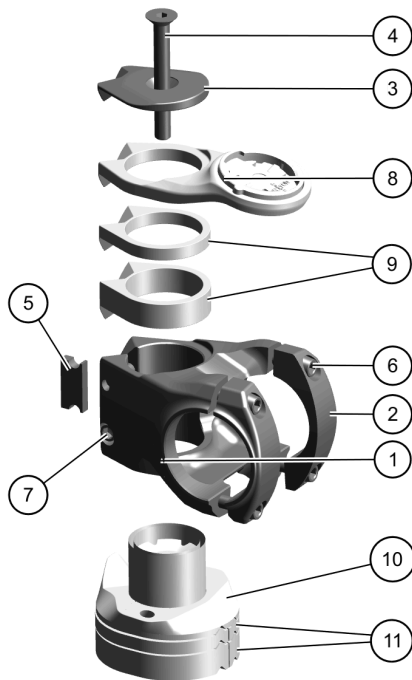


### Uso de araña o expansor en tubo de dirección de la horquilla

Para la fijación del tornillo de precarga de la potencia es necesaria la instalación de un expansor o una araña en el interior del tubo de dirección de la horquilla. Utiliza sólo un expansor para horquillas con tubo de dirección de carbono y una araña para horquillas con tubo de dirección de aluminio. El uso de componentes no indicados para cada instalación específica puede producir daños en los materiales que pueden ser causa de rotura y accidentes. Daños en los materiales debido a uso de componentes incorrectos no están cubiertos por las condiciones de la garantía.

# 10 POTENCIAS

## POTENCIAS OC ST-MC10 Y OC ST-MC20. ELEMENTOS



- |     |  |
|-----|--|
| 1.  | Cuerpo de la potencia                              |
| 2.  | Faceplate  |
| 3.  | Tapa potencia MC                                   |
| 4.  | Tornillo precarga dirección                        |
| 5.  | Tope apriete amarre horquilla                      |
| 6.  | Tornillos faceplate                                |
| 7.  | Tornillos amarre horquilla                         |
| 8.  | Soporte GPS OC CM-05*                              |
| 9.  | Separadores de dirección 5/10mm HS02-07/08**       |
| 10. | Colector SIC**                                     |
| 11. | Separadores de dirección split 5/10mm HS02-03/04** |

\*Ver sección Soporte GPS de este manual

\*\*Ver sección [Dirección](#) de este manual

### AVISO

Consulta la sección de recambios de este manual para conocer las referencias de todos los componentes.

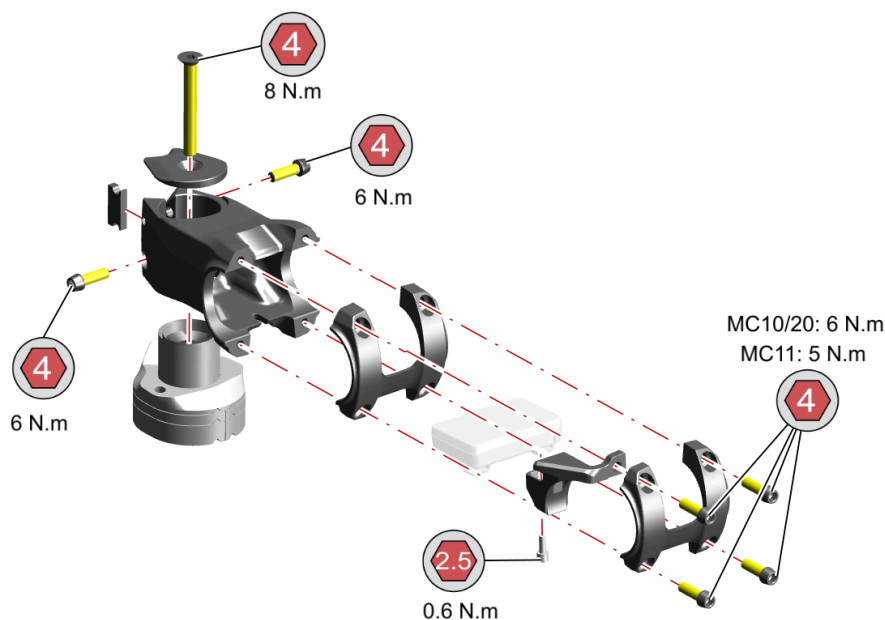






<b>TILT (ÁNGULO)</b>	0°
<b>LONGITUDES DISPONIBLES</b>	MC10/MC20: 35, 40, 50 mm MC11: 35, 40, 50, 60 mm
<b>CABLEADO</b>	Routing interno solo compatible con cableado electrónico.
<b>COMPATIBLE FUNCIÓN SPINBLOCK</b>	Sí. Sólo en cuadros con función Spinblock
<b>COMPATIBLE SISTEMA SIC</b>	Sí. Sólo en cuadros con dirección HS02
<b>PESO</b>	ST-MC10: 150 g (40 mm)
	ST-MC20: 160 g (40 mm)
	ST-MC11: 192 g (40 mm)
<b>TAPA DE POTENCIA</b>	Tapa específica HS02-31 (MC10/20/11))
<b>SEPARADORES DE DIRECCIÓN COMPATIBLES</b>	Cuadros Orbea con dirección HS02: Debajo de la potencia: Separadores split Spinblock HS02-03/04 (5 y 10 mm). Bajo el colector SIC HS02
	Cuadros con dirección 1-1/8": Encima de la potencia: Separadores redondos Spinblock HS02-07/08 (5 y 10 mm)
	Cuadros con dirección 1-1/8": Encima y debajo de la potencia: Separadores redondos Spinblock HS02-07/08 (5 y 10 mm)
<b>SOPORTE CICLOCOMPUTADOR</b>	OC CM-05. Sobre la potencia.(5 mm)

## OC ST-MC10, ST-MC20 Y ST-MC11. COMPUESTOS DE MONTAJE Y PARES DE APRIETE



COLOR	TIPO DE COMPUESTO	DESCRIPCIÓN
	LUBRICACIÓN	GRASA: Grasa de montaje de calidad para evitar ruidos y fijación de elementos. Compatible para superficies de carbono y aluminio.

**AVISO**

El faceplate D-EN600 y el soporte para el display SC-EN600 de la potencia ST-MC11 no son compatibles con su instalación en potencias OC ST-MC-10 y 20. El faceplate y el soporte para el display deben utilizarse de manera conjunta, no es posible la instalación del soporte de display junto con el faceplate estándar de la potencia ST-MC11.

## INSTALACIÓN DE POTENCIAS OC MOUNTAIN CONTROL

**AVISO**

Consulta la sección de instalación de la dirección HS02 en este manual para conocer el correcto guiado de los cables a través de la dirección.

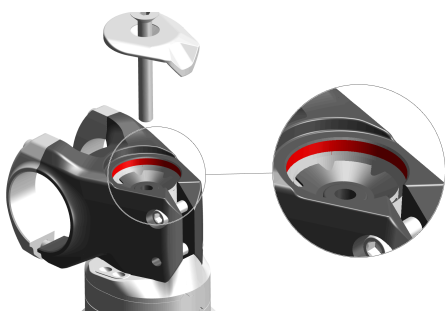
**AVISO**

Esta es una guía general de montaje de potencias OC MC (Mountain Control). Consulta la sección específica de tu modelo de potencia para conocer los pares de apriete específicos y sus componentes.

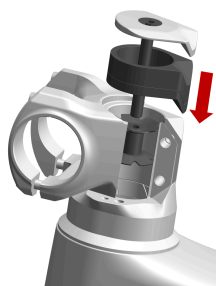
1



2

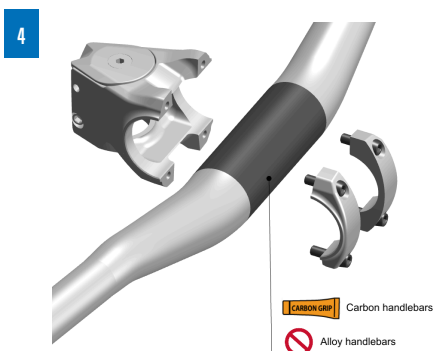


3



1. Las potencias MC (Mountain Control), disponen de un tope en la zona de amarre de la potencia para asegurar que no se sobrepasa el par de apriete recomendado. Comprueba la correcta instalación del tope al montar la potencia. Este tope no es imprescindible, en caso de no disponer de el, asegúrate de seguir las indicaciones de par de apriete de los tornillos de la potencia para cada modelo de potencia OC.
2. Con la dirección HS02 previamente instalada en la bicicleta (consultar sección de instalación de la dirección), introduce la potencia MC en el tubo de la horquilla encajando el perfil posterior de la misma con el del colector HS02-05 específico. Comprueba que el tubo de la horquilla queda posicionado por encima del tornillo superior de amarre de la potencia. La distancia entre el extremo superior del tubo de dirección de la horquilla y la superficie de instalación de la tapa de precarga de la potencia debe ser de al menos 3mm para permitir la correcta precarga de la dirección.
3. Es posible la instalación de separadores perfilados de una pieza HS02-07 (5 mm) o HS02-08 (10 mm) por encima de la potencia, siempre asegurándose que el tornillo superior de la tapa de la potencia rosca suficientemente en la araña del tubo de la horquilla para permitir una correcta compresión del conjunto de dirección.  
En modelos de bicicleta sin función Spinblock, también es posible el uso de estos separadores entre la potencia y el colector SIC HS02.

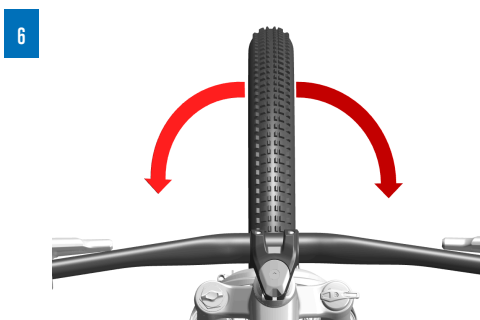
Continues next page >



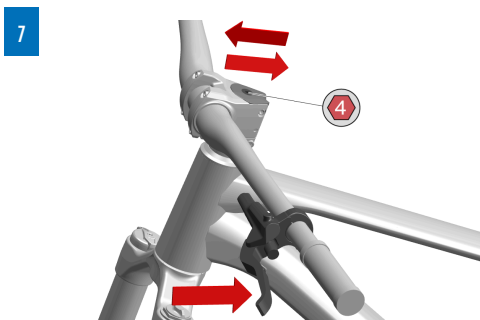
4. En caso de instalar manillares de carbono, aplica una ligera capa de pasta de carbono en la superficie de contacto del manillar con la potencia. Para manillares de aluminio, no se requiere la aplicación de ningún compuesto entre la potencia y el manillar.



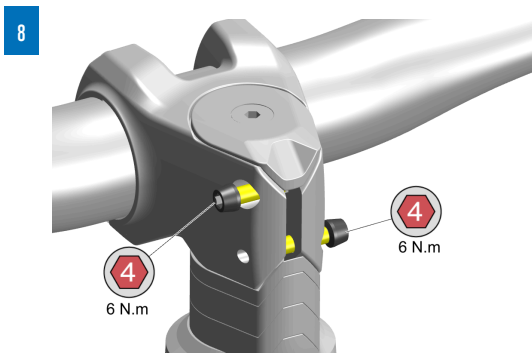
5. En potencias MC con indicación "NO GAP", los tornillos de los puntos de fijación con la indicación "NO GAP" deben ser apretados primero hasta que el faceplate y el cuerpo de la potencia hagan contacto. Luego aprieta los tornillos opuestos hasta la indicación de par de apriete recomendado. Finalmente, comprueba el par de apriete de los 4 tornillos del faceplate siguiendo un patrón en cruz, hasta alcanzar el par de apriete recomendado.



6. Con potencia y el manillar instalados, centra la potencia con respecto a la rueda delantera.



7. Aprieta la tapa superior de la potencia al par de apriete recomendado. Comprueba que la dirección no tiene juego accionando el freno delantero y moviendo ligeramente la bicicleta hacia adelante y hacia atrás. Del mismo modo, verifica que el manillar gira de forma suave hacia ambos lados.

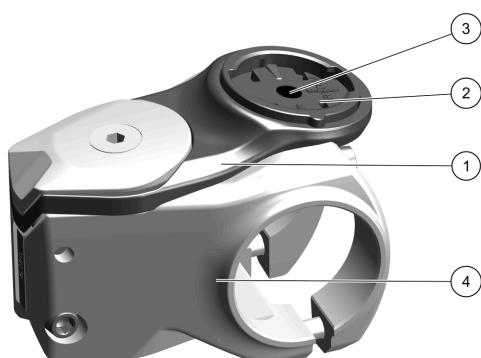


8. Aplica grasa de montaje a los tornillos de amarre de la potencia y aprieta al par de apriete recomendado.

# 11 SOPORTE GPS OC CM-05

El soporte de GPS OC CM-05 es específico para potencias OC Mountain Control de estándar HS-02 compatibles con función Spinblock (no es necesario que el cuadro disponga de función Spinblock).

Montajes de serie Orbea que incluyan soporte de ciclocomputador OC sólo incluyen el adaptador para unidades Garmin/Sigma. Si deseas utilizar un dispositivo de otra marca, será necesario adquirir el kit de adaptadores Garmin/Sigma, Wahoo, Bryton CT-02

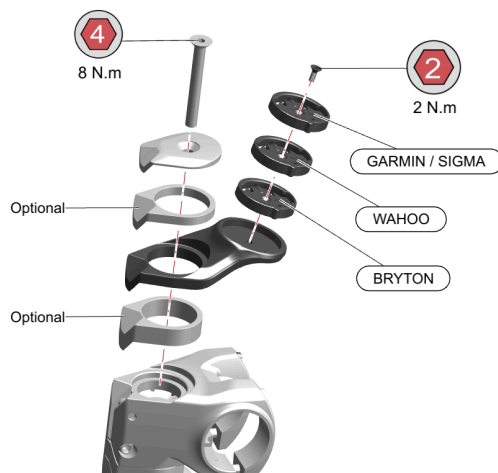


1. Cuerpo soporte ciclocomputador CM-05
2. Adaptador Garmin - Sigma / Wahoo / Bryton
3. Tornillo amarre adaptador
4. Potencia Mountain Control

## ESPECIFICACIONES TÉCNICAS

MATERIAL	Polímero
TAMAÑO (mm)	83x44x40 mm.
PESO (gr)	13 gr.
COLOR	Negro
POTENCIAS OC COMPATIBLES	OC Mountain Control HS02
COMPATIBILIDAD DISPOSITIVOS	Garmin / Sigma / Bryton / Wahoo

## VISTA EXPLOSIONADA Y PARES DE APRIETE

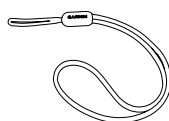


**AVISO**

Con el soporte GPS instalado encima de la potencia, la altura del tubo de la horquilla debe ser el adecuado para la altura la potencia y los separadores de dirección y/o soporte GPS instalados. Consulta la sección Potencias de este manual para más información sobre la altura recomendada del tubo de dirección de la horquilla en la potencia..

**AVISO**

Orbea recuerda la recomendación de los fabricantes de unidades GPS del uso del cordón de seguridad suministrado con los ciclocomputadores alrededor del manillar para evitar daños a la unidad o su pérdida en caso de accidente.



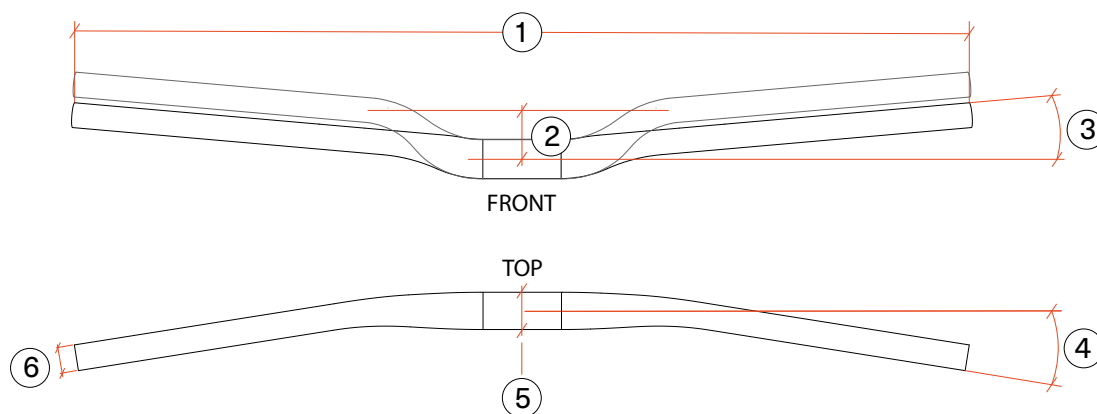
# 12 MANILLARES

## ESPECIFICACIONES MANILLARES OC

Consulta toda la gama de manillares OC en nuestra web: [Equipamiento > Componentes OC > Manillares](#)

### ESPECIFICACIONES DE MANILLARES OC EN RISE

	MATE- RIAL	ANCHO (1)	RISE (2)	UPSWEEP (3)	BACKS- WEEP (4)	Ø AMARRE POTENCIA (5)	Ø EXTRE- MOS (6)	PESO	USO PREVISTO
<b>HB-MC10</b>	Carbono	800mm	20/35mm	5°	8°	35mm	22.2mm	aprox 225gr	Trail/Endu- ro. ASTM5
<b>HB-MC21</b>	AL7050	800mm	20mm	5°	8°	35mm	22.2mm	aprox 325gr	Trail/Endu- ro. ASTM5
<b>HB-MC31</b>	AL6069	800mm	20mm	3°	9°	35mm	22.2mm	aprox 385gr	Trail/Endu- ro. ASTM5

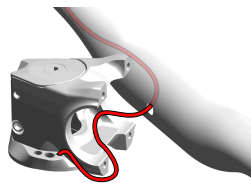


## CABLEADO INTERNO DE COMPONENTES ELECTRÓNICOS

Los manillares OC especificados permiten, junto a las potencias OC Mountain Control, el guiado interno de cables de componentes del sistema eléctrico, como el pulsador SW-EN600. Consulta la sección Cableado en manillar y potencia de componentes Shimano de este manual para conocer el montaje y cableado de cada una de las opciones.

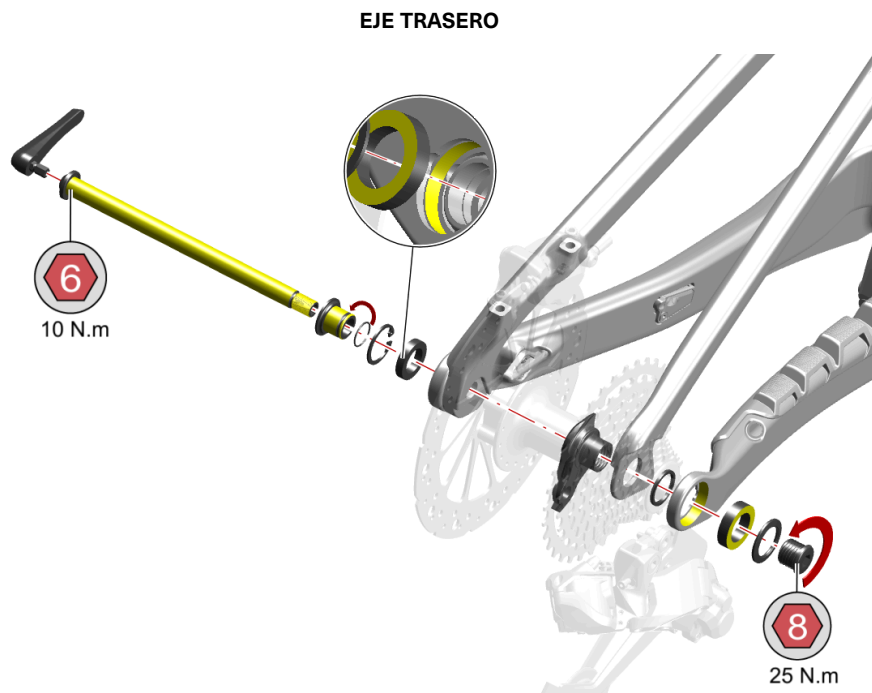
### AVISO

Si se sustituye el manillar OC montado originalmente en la bicicleta, el nuevo manillar debe permitir el guiado interno de componentes electrónicos. En caso contrario, los cables de estos componentes quedarán posicionados por fuera del manillar y la potencia.



# 13 EJES DE RUEDA Y PATA DE CAMBIO

## COMPUESTOS DE MONTAJE Y PARES DE APRIETE



COLOR	TIPO DE COMPUESTO	DESCRIPCIÓN
	LUBRICACIÓN	GRASA: Grasa de montaje de calidad para evitar ruidos y fijación de elementos. Compatible para superficies de carbono y aluminio.

### AVISO

Consulta la sección de recambios de este manual para conocer las referencias de todos los componentes.

**AVISO**

**COMPATIBILIDAD CAMBIOS SRAM T-TYPE:** Rise, al utilizar la pata de cambio Sram UDH, es compatible con cambios Sram T-Type de anclaje directo al cuadro (sin pata de cambio).

**AVISO**

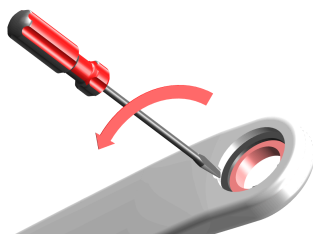
**EJE DELANTERO:** Las indicaciones específicas de montaje del eje pasante delantero en horquillas de suspensión están definidas por el fabricante de la horquilla. Consulta las instrucciones de uso en la documentación del fabricante.

[Fox 15QR axle](#)

[Fox Kabolt](#)

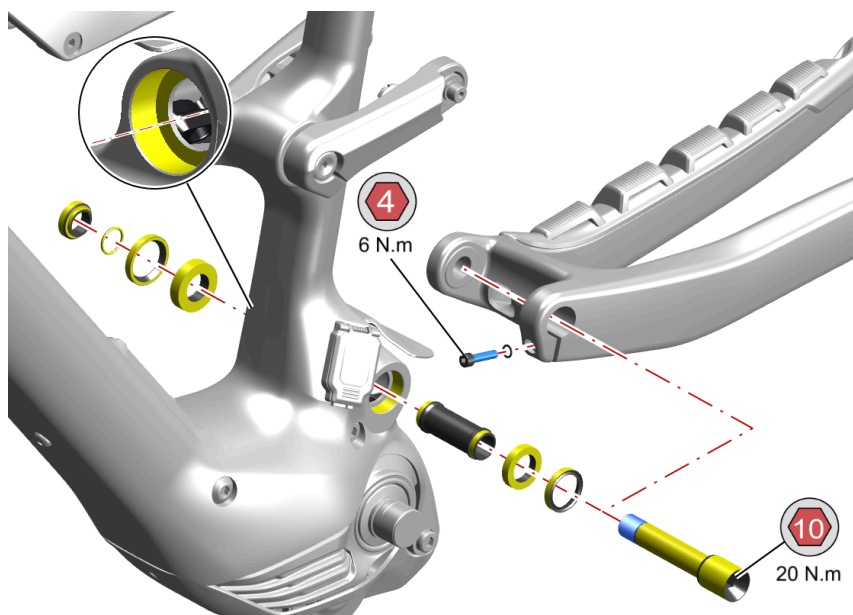
**DESMONTAJE DEL CIRCLIP DE FIJACIÓN DEL RODAMIENTO DE LA PUNTERA IZQUIERDA**

Para desmontar el rodamiento izquierdo del punto de giro, es necesario desinstalar el circlip de retención del rodamiento. Utiliza un destornillador plano pequeño para introducirlo en la muesca a tal efecto en el alojamiento del rodamiento y haz palanca para retirar el circlip, habiendo posicionado antes la parte abierta del circlip a 90° de la posición de la muesca. Presta atención y utiliza cinta u otro tipo de material para no marcar o dañar la vaina con el destornillador al retirar el circlip.



# 14 PUNTO DE GIRO PRINCIPAL DEL BASCULANTE

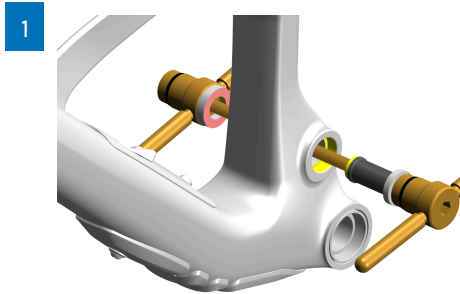
## COMPUESTOS DE MONTAJE Y PARES DE APRIETE



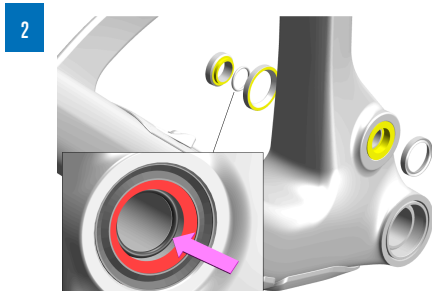
COLOR	TIPO DE COMPUESTO	DESCRIPCIÓN
Yellow	LUBRICACIÓN	GRASA: Grasa de montaje de calidad para evitar ruidos y fijación de elementos. Compatible para superficies de carbono y aluminio.
Blue	FIJACIÓN	FIJADOR DE ROSCAS: Resistencia media. Tipo Loctite 243.



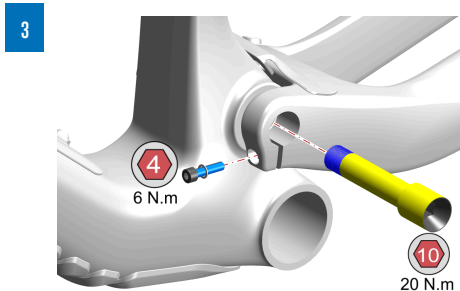
## PROCESO DE INSTALACIÓN



1. Aplica grasa de montaje en los alojamientos de los rodamientos en el cuadro y el separador. Monta uno de los rodamientos en el alojamiento del separador. Con la ayuda de una prensa de rodamientos, introduce el conjunto de separador y rodamiento por el lado izquierdo, y el otro rodamiento por el lado derecho.



2. Aplica grasa en la cara externa de ambos rodamientos y coloca los retenes asegurándote de que la parte plana del retén es la que entra en contacto con el rodamiento. En el lado derecho, coloca la junta tórica tal y como se muestra en la vista detalle y a continuación, introduce el casquillo.



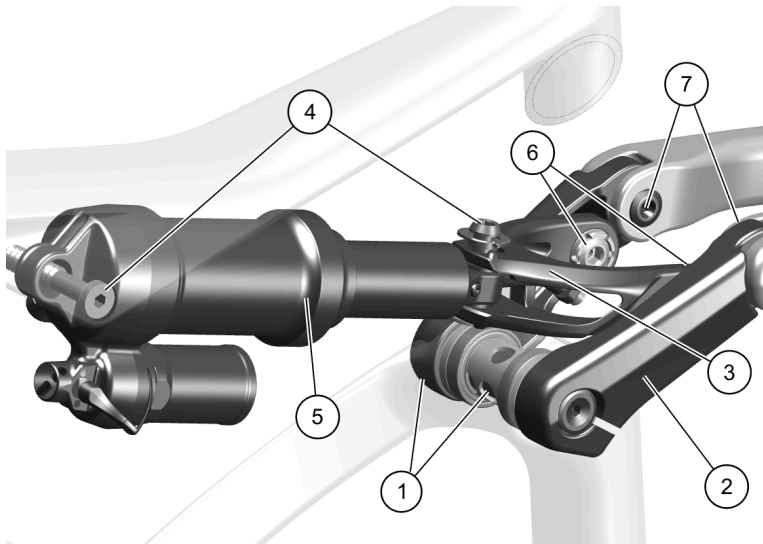
3. Aplica grasa de montaje en el cuerpo y cabeza del eje pasante y fijador de roscas de resistencia media en la rosca. Introdúcelo y rosca al par de apriete indicado (20 N.m). A continuación, aplica fijador de roscas de resistencia media en el tornillo de fijación de la vaina izquierda y fíjalo a 6 N.m

## 15 ZONA BIELETA Y AMORTIGUADOR

Rise SL y LT comparten una misma bieleta de dos piezas con un prolongador específico para cada uno de los montajes (SL ó LT) proporcionando diferentes características entre ambos modelos. El sistema de amortiguación de Rise Hydro SL utiliza un prolongador de aluminio para conseguir un recorrido trasero de 140 mm dándole una geometría y sistema de suspensión de trail rápida.

Rise LT utiliza un prolongador de aluminio para conseguir un recorrido trasero de 150mm (aire o muelle) permitiendo una geometría lanzada para atacar los senderos más difíciles. Además, en Rise LT, el Quick Flip instalado en el amarre del amortiguador con el prolongador, permite el cambio entre las geometrías High y Low en pocos segundos, para adaptar la bicicleta a la ruta que tengas en mente. Consulta la sección "geometría" para conocer los cambios de geometría entre ambas opciones.

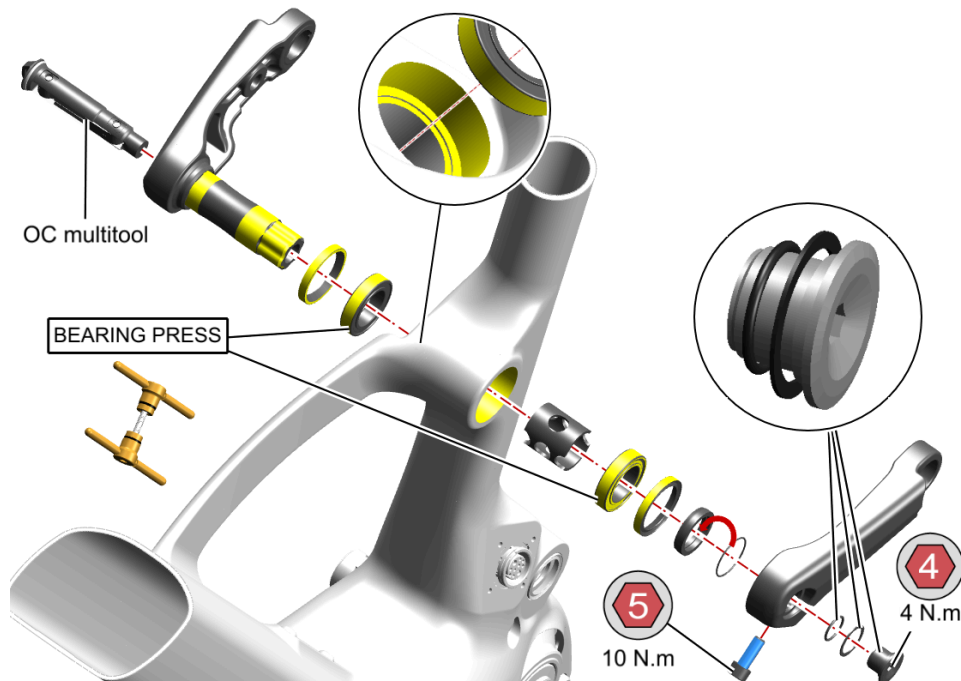
## ELEMENTOS



1. Bieleta derecha + eje (1 pieza)
2. Bieleta izquierda
3. Prolongador: (SL ó LT)
4. Hardware de amarre del amortiguador (con Flip Chip en LT)
5. Amortiguador (aire o muelle)  
SL: 210x50mm / LT: 210x55mm
6. Hardware prolongador-bieleta
7. Hardware bieleta-tirantes.

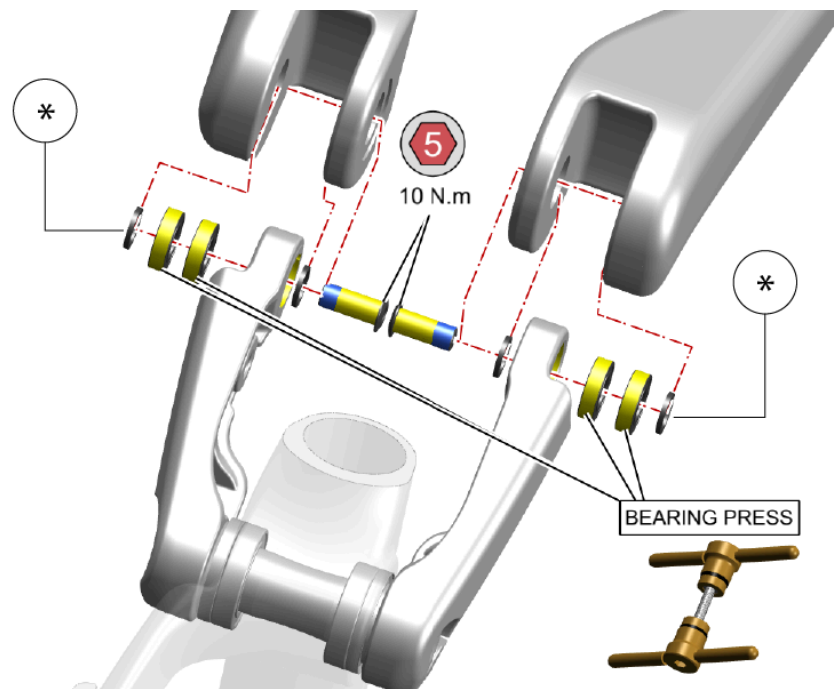
## COMPUESTOS DE MONTAJE Y PARES DE APRIETE

### PUNTO DE GIRO CUADRO-BIELETA. COMPUESTOS DE MONTAJE Y PARES DE APRIETE



COLOR	TIPO DE COMPUESTO	DESCRIPCIÓN
	LUBRICACIÓN	GRASA: Grasa de montaje de calidad para evitar ruidos y fijación de elementos. Compatible para superficies de carbono y aluminio.
	FIJACIÓN	FIJADOR DE ROSCAS: Resistencia media. Tipo Loctite 243.

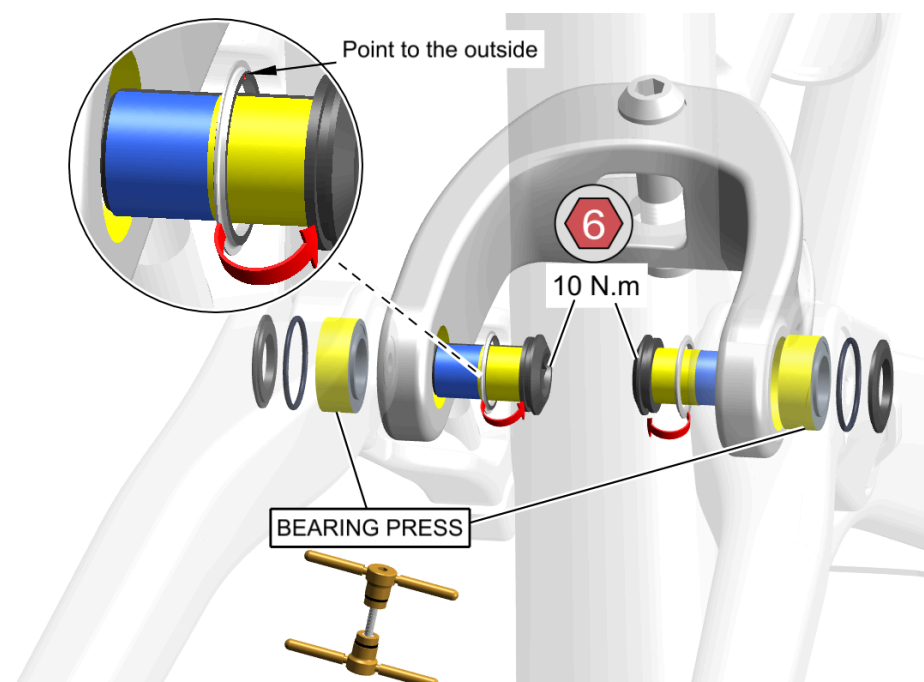
## PUNTO DE GIRO BIELETA-TIRANTES. COMPUESTOS DE MONTAJE Y PARES DE APRIETE



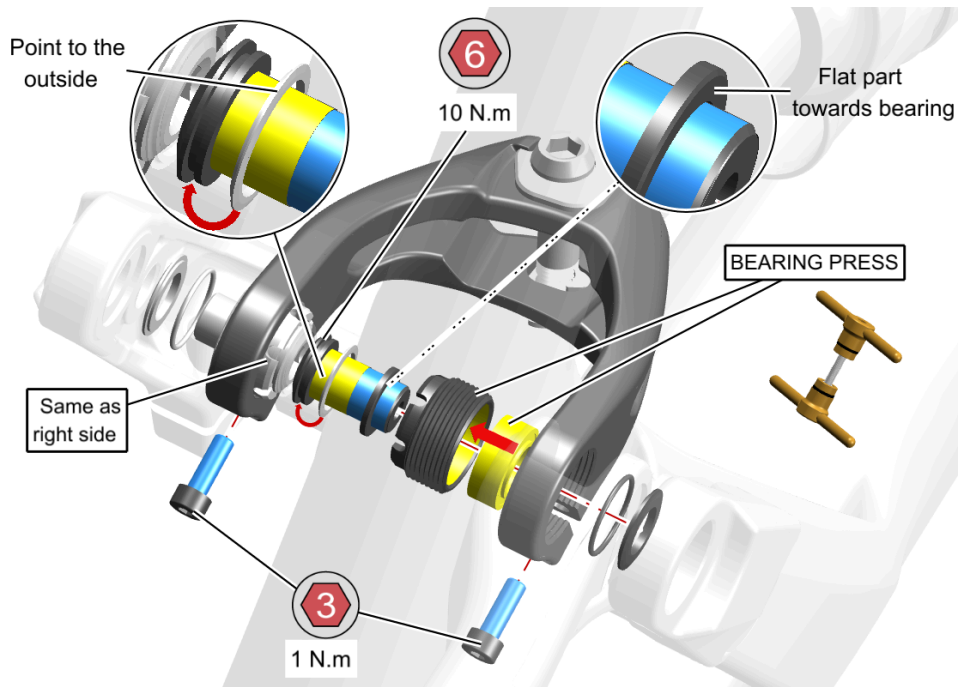
\* Posicionar el separador pequeño en el exterior y el grande en el interior de la bieleta.

COLOR	TIPO DE COMPUESTO	DESCRIPCIÓN
■	LUBRICACIÓN	GRASA: Grasa de montaje de calidad para evitar ruidos y fijación de elementos. Compatible para superficies de carbono y aluminio.
■	FIJACIÓN	FIJADOR DE ROSCAS: Resistencia media. Tipo Loctite 243.

## PROLONGADOR SL. COMPUESTOS DE MONTAJE Y PARES DE APRIETE

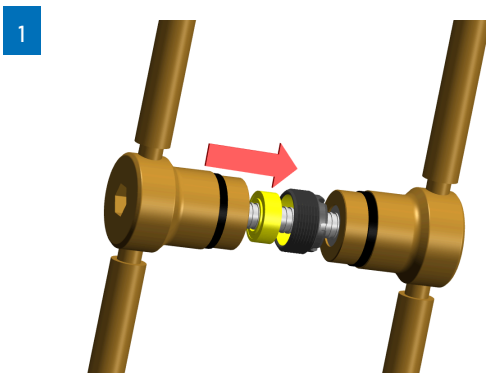


## PROLONGADOR LT. COMPUESTOS DE MONTAJE Y PARES DE APRIETE



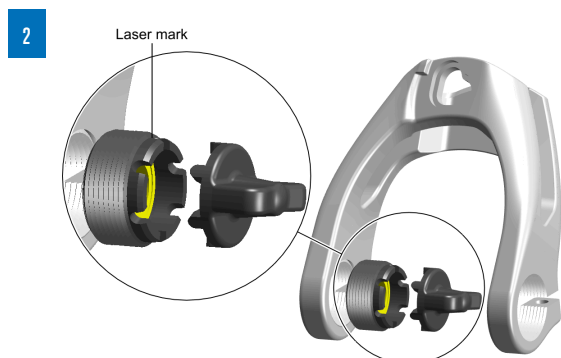
COLOR	TIPO DE COMPUESTO	DESCRIPCIÓN
Yellow	LUBRICACIÓN	GRASA: Grasa de montaje de calidad para evitar ruidos y fijación de elementos. Compatible para superficies de carbono y aluminio.
Blue	FIJACIÓN	FIJADOR DE ROSCAS: Resistencia media. Tipo Loctite 243.

### INSTALACIÓN DE PROLONGADOR LT

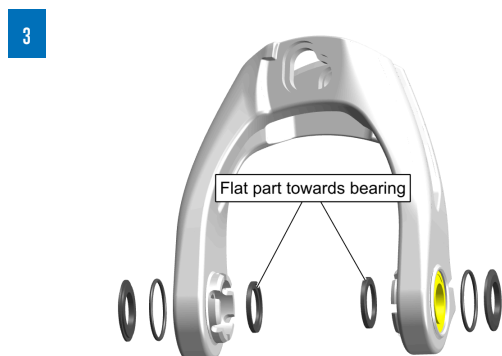


1. Con ayuda de la una prensa de rodamientos, instala los rodamientos en las cazoletas desde el lado de las cazoletas sin las estrías de montaje. Aplica grasa de montaje al interior de las cazoletas y las pistas de los rodamientos antes de la instalación.

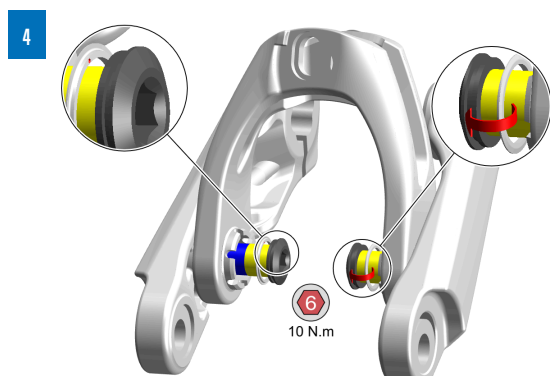
Continues next page >



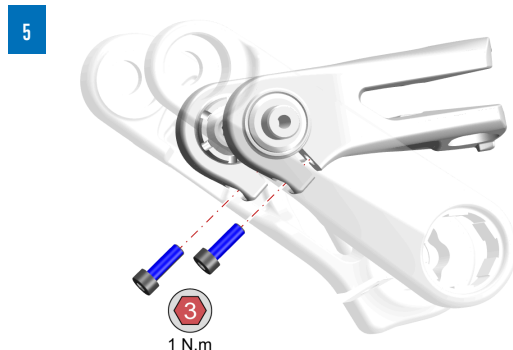
2. Con los rodamientos ya montados en las cazoletas, instala éstas en el prolongador con la ayuda de la herramienta específica hasta la marca láser (Indicado en la vista detalle).



3. Aplica grasa en la cara externa de ambos rodamientos y coloca los retenes asegurándote de que la parte plana del retén es la que entra en contacto con el rodamiento.



4. Coloca los anillos guardapolvos en la ranura de los ejes, colocando el punto hacia la cara externa tal y como se muestra en la vista detalle (engrasa el anillo para facilitar su montaje). Aplica grasa de montaje en el cuerpo y cabeza del eje pasante y fijador de roscas de resistencia media en la rosca. Introdúcelo y rosca al par de apriete indicado (10 N.m).

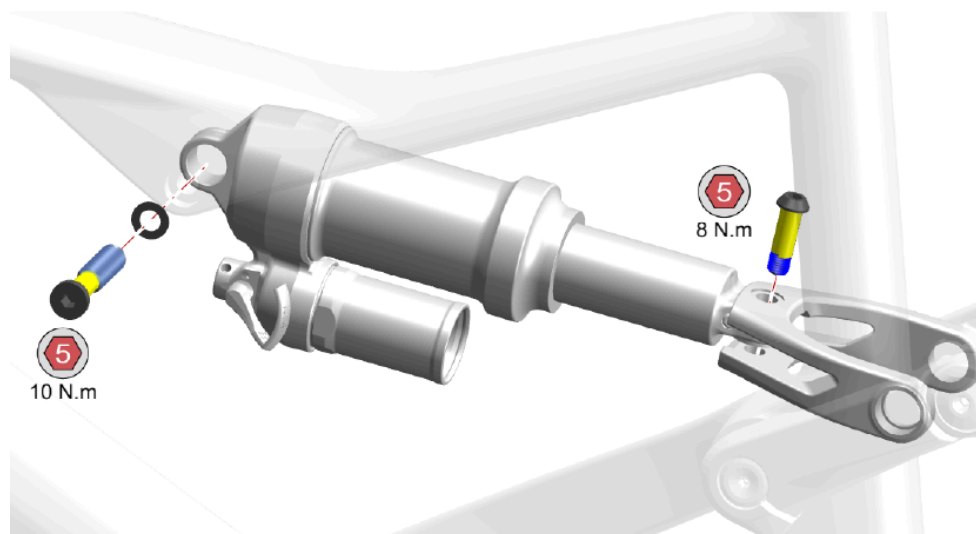


5. Aplica fijador de roscas de resistencia media en la rosca de los pinch bolt y aprieta a 1 N.m.

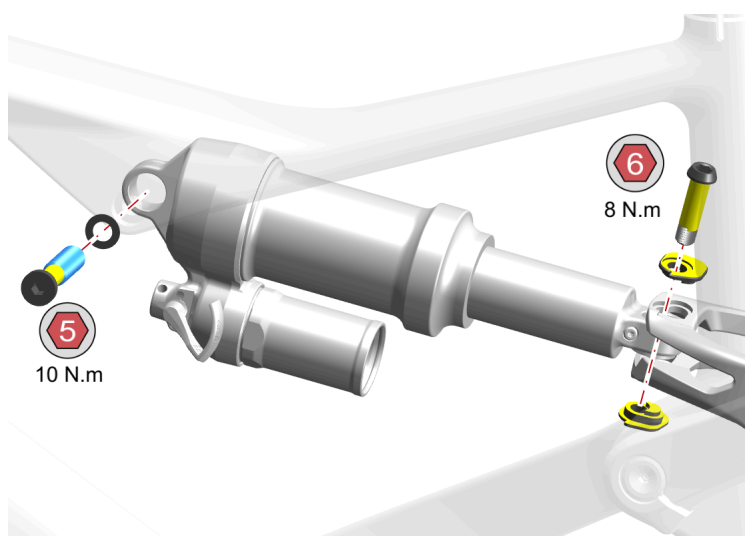
## INSTALACIÓN DE PROLONGADOR SL



En el prolongador de Rise SL, los rodamientos se insertan directamente en su alojamiento prescindiendo de las cazoletas. Con los rodamientos instalados, sigue los pasos 2 y 3 del proceso de instalación del prolongador LT indicados en el método anterior para completar su montaje.

## FIJACIÓN DEL AMORTIGUADOR SL



## FIJACIÓN DEL AMORTIGUADOR LT



COLOR	TIPO DE COMPUESTO	DESCRIPCIÓN
	LUBRICACIÓN	GRASA: Grasa de montaje de calidad para evitar ruidos y fijación de elementos. Compatible para superficies de carbono y aluminio.
	FIJACIÓN	FIJADOR DE ROSCAS: Resistencia media. Tipo Loctite 243.

## ATTITUDE ADJUST. CAMBIO DE GEOMETRÍA EN MODELOS LT

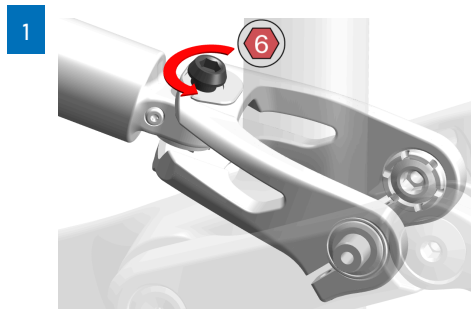
Rise LT permite disponer de dos opciones de geometría en una misma bicicleta a través del cambio de posición del Quick Flip en el hardware del amortiguador. La posición low ofrece una posición más relajada para los senderos más exigentes, mientras que la posición high aumenta en medio grado los ángulos de dirección y tubo de sillín, haciendo la bicicleta un poco más reactiva. Consulta la información completa de ambas opciones en el apartado de geometría.

## INSTRUCCIONES DE CAMBIO DE GEOMETRÍA HIGH Y LOW

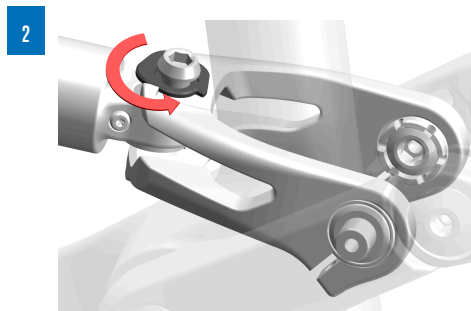
### AVISO

Este proceso describe el cambio de la posición "High" a posición "Low". Realiza el mismo proceso cambiando la pastilla superior hasta la posición mostrada en la primera imagen para realizar el proceso a la inversa

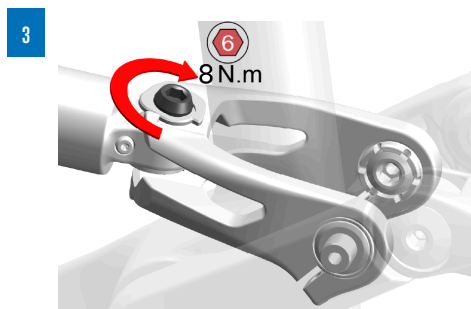
Consulta [aquí](#) el video de instrucciones sobre cómo usar la tecnología Attitude Adjust.



1. Afloja el tornillo de amarre del amortiguador al prolongador con una llave allen del 6 (puedes utilizar la leva del eje trasero para hacerlo).



2. Tira del "top tube" hacia arriba hasta que la pastilla superior del Quick Flip quede posicionada como indica la imagen.



3. Aprieta nuevamente el tornillo de amarre a 8 N.m (puedes utilizar provisionalmente la leva del eje trasero para hacerlo si te encuentras en ruta).

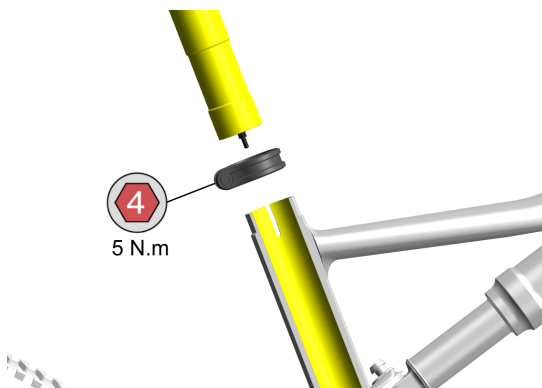
# 16 INSTALACIÓN DE LA TIJA DE SILLÍN

## AVISO

Consulta los manuales de tijas telescópicas OC Components en nuestra web:

[www.orbea.com](http://www.orbea.com) > Soporte > Manuales > Producto

Para las instrucciones de instalación de tijas de otros fabricantes, consulta la documentación del fabricante.



COLOR

TIPO  
COMPUESTO

DESCRIPCIÓN

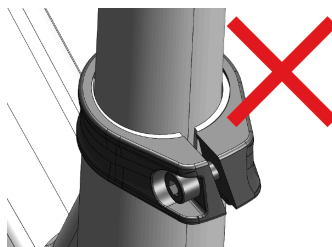
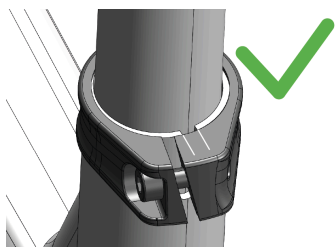


LUBRICACIÓN

GRASA: Grasa de montaje de calidad para evitar ruidos y fijación de elementos.

## AVISO

Siempre posiciona la abrazadera de la tija de manera que las marcas coincidan con la ranura del tubo del cuadro. La ranura de la abrazadera no debe coincidir con la ranura del tubo del cuadro.



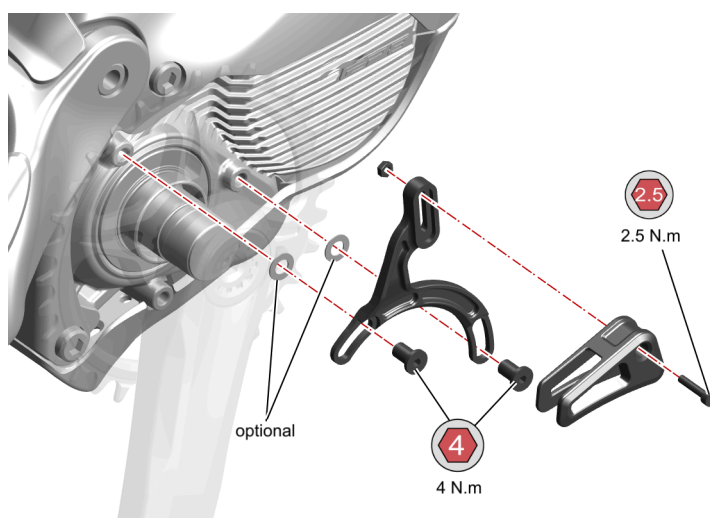


## 17 GUÍA CADENA

### AVISO

Si no es posible acceder a los tornillos de fijación del guía cadena a través de la araña del plato estando éste montado, será necesario desmontar la biela derecha y el plato para retirar el guía cadena. Consulta la sección sobre el desmontaje de la batería interna para conocer el método de desmontaje de la biela y el plato.

El guía cadena instalado en Rise es exclusivo para platos con línea de cadena de 55mm.



## 18 LOCKR. ALMACENAMIENTO DE HERRAMIENTAS EN EL CUADRO

### MULTIHERRAMIENTAS OC FLP MT-20 Y LEVA EJE TRASERO

Con el fin de prescindir de equipaje extra en tus rutas, Rise incorpora una leva de 6 mm. en el eje trasero que permite desmontar la rueda trasera o cambiar entre las geometrías High y Low en versiones LT.

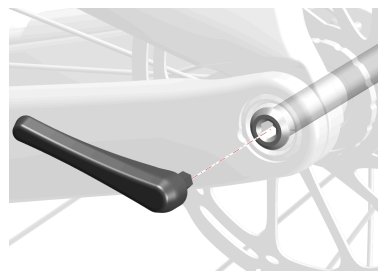
El eje hueco de la bieleta, ofrece la posibilidad de incorporar una multiherramienta OC FLP MT-20 con llaves Allen de 2, 3, 4 y 5 mm. Estas herramientas están incluidas en algunos modelos, mientras que el resto la ofrecen como opción.

Ambas herramientas están disponibles desde la web de Orbea como componentes aftermarket. Consulta la sección de recambios de este manual para conocer las referencias de todos los componentes.

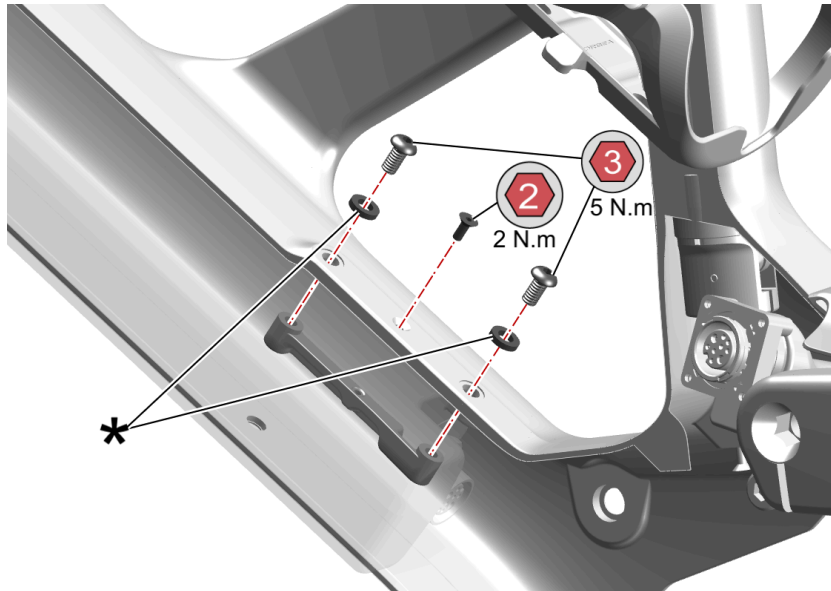
MULTIHERRAMIENTAS OC FLP MT-20



LEVA EJE TRASERO



## 19 PLETINA DE PORTA BIDÓN



### AVISO

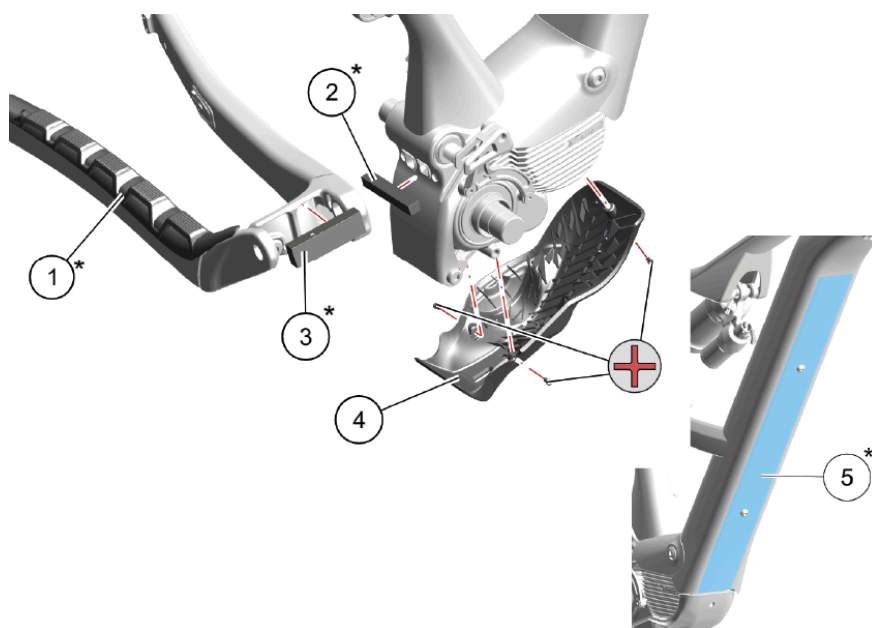
Es necesario desmontar el motor y la batería interna del cuadro para sustituir la pletina interna de amarre del porta bidón. Consulta la sección específica de desmontaje de la batería interna de este manual para conocer el proceso de desmontaje.

### AVISO

\* Rise monta de serie el soporte de la batería externa Range Extender 210Wh, que es compatible con el uso de bidones estándar cuando no se usa la batería externa. El soporte del Range Extender no precisa de las arandelas marcadas en la imagen para su instalación en el cuadro. Sin embargo, si se monta un porta bidón estándar en vez del soporte del Range Extender y éste no hace contacto con el cuadro, puedes usar arandelas para compensar el espacio libre entre la parte inferior del porta bidón y el cuadro. Estas arandelas no se suministran con la bicicleta, pero están disponibles como parte del recambio de la pletina de amarre del porta bidón. Consulta la sección de recambios en este manual para conocer las referencias de todos los componentes.

# 20 PROTECTORES

## PROTECTORES DE VAINAS Y MOTOR



1. Protector adhesivo goma vaina
2. Protector adhesivo foam inferior FT
3. Protector adhesivo foam superior basculante
4. Protector motor EP801/EP6
5. Protector adhesivo transparente tubo diagonal

### AVISO

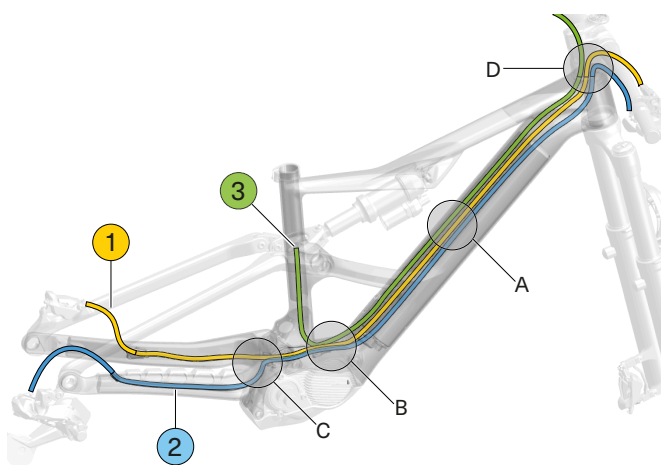
**\* INSTALACIÓN DE PROTECTORES ADHESIVOS:** Para instalar protectores adhesivos en el cuadro, primero limpia con alcohol isopropílico (concentración máxima 70%) la zona de instalación para retirar cualquier suciedad o restos del protector anterior. Luego retira el protector del adhesivo del nuevo protector e instala el protector en la zona apropiada, presionado en toda la superficie para asegurar que se adapta y adhiere bien al contorno del cuadro.

**INSTALACIÓN DEL PROTECTOR DE GOMA DE LA VAINA DERECHA:** Si es necesario reemplazar el protector de goma de la vaina derecha es necesario desinstalar el tubo de guiado de cables Cable Pass de la vaina derecha, ya que este tubo va pegado al exterior del agujero para la salida de cables del protector de goma. Consulta la sección de instalación de tubos Cable Pass de este manual para conocer el método de instalación.

# 21 CABLEADO

## VISTA GENERAL DE CABLEADO DE COMPONENTES EN CUADRO

### COMPONENTES MECÁNICOS



1. Remoto tija telescópica

2. Cambio (mecánico)

3. Freno trasero

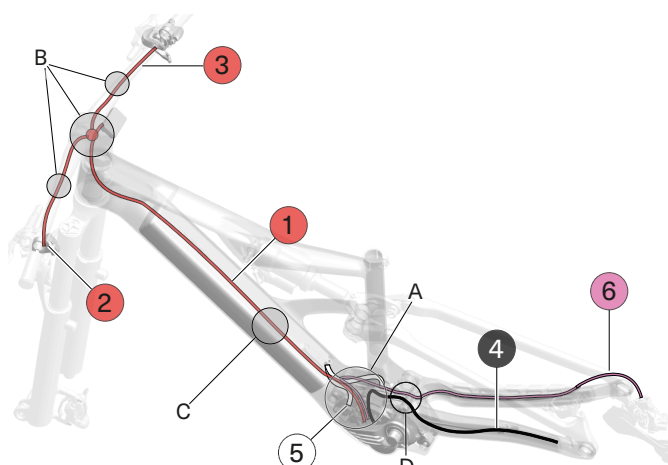
A. Fundas por encima de la batería sin cruzarse

B. Ver sección Cableado vano motor

C. Ver sección Cable Pass

D. Ver sección Dirección

### COMPONENTES DEL SISTEMA ELÉCTRICO



1. Cable Shimano EW-SD300 1200mm (a junction o display)

2. Cable Shimano EW-SD300 700mm (a remoto SW-EN600)

3. Cable Shimano EW-SD300 700mm (a maneta XT Di2 -montajes aftermarket-)

4. Sensor velocidad EW-SS301

5. Cable harness Orbea RS Gen2 (batería-motor-punto carga)

6. Cable Shimano EW-SD300 700mm (a cambio Di2 -montajes aftermarket-)

A. Ver secciones Cableado vano motor y Conexiones motor

B. Ver sección Cableado Di2 en manillar y potencia

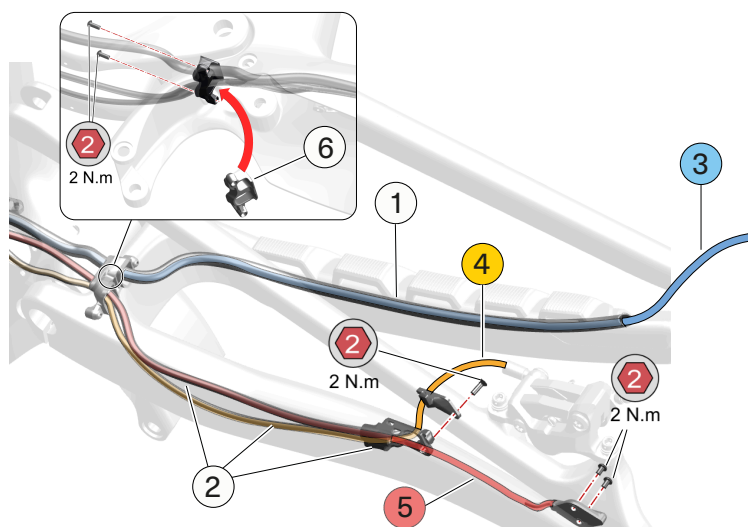
C. Cable por encima de la batería sin cruzarse

D. Ver sección Cable Pass

## CABLE PASS. CABLEADO ENTRE TRIÁNGULO PRINCIPAL Y BASCULANTE.

El sistema Cable Pass protege los cables y fundas entre el triángulo principal del cuadro y el basculante, y facilita el cableado hasta el motor o la dirección.

En Rise, Cable Pass se compone de 3 elementos: un tubo de guiado de la funda del cambio trasero, el conjunto de tubos y el puerto de salida de la vaina izquierda del latiguillo del freno trasero y el sensor de velocidad, y el guía cables Cable Pass en la parte posterior del vano motor del triángulo principal del cuadro.



1. Tubo Cable Pass vaina derecha
2. Tubos Cable Pass vaina izquierda y puerto de salida (1 pieza)
3. Funda cambio trasero
4. Latiguillo freno trasero
5. Sensor velocidad EW-SS301
6. Guía cables Cable Pass

**AVISO**

Consulta la sección de recambios de este manual para conocer las referencias de todos los componentes.

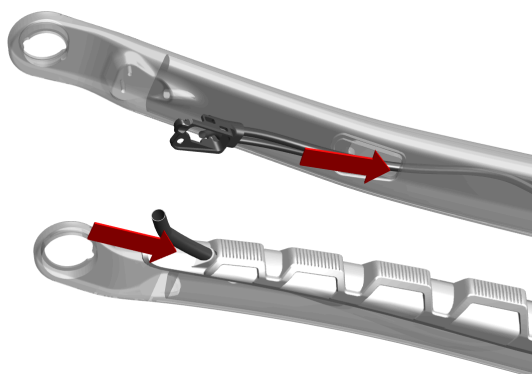
## INSTALACIÓN DE TUBOS CABLE PASS

**AVISO**

La instalación de los tubos Cable Pass requieren de conocimientos avanzados de mecánica, ya que requiere desmontar el motor puede requerir desmontar el basculante del triángulo principal del cuadro. Lleva tu bicicleta a un distribuidor autorizado para este tipo de reparaciones y mantenimiento. Daños en los componentes causados por una instalación incorrecta no están cubiertos por las condiciones de garantía.

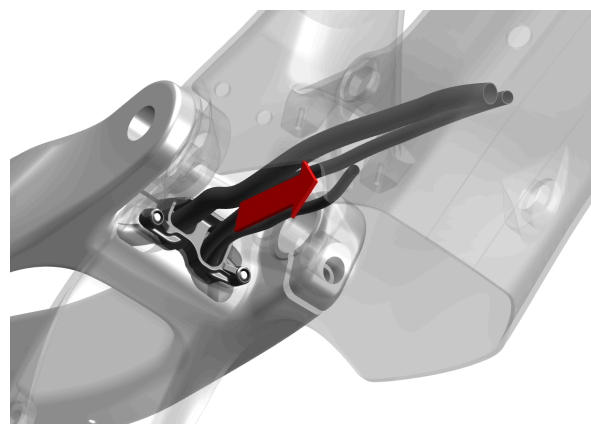
Consulta la sección Desmontaje de la batería interna para conocer el proceso de desmontaje del motor para acceder al vano motor.

1



Introduce a través de los orificios de ambas vainas el tubo de la vaina derecha y el conjunto de tubos y guía cables de la vaina izquierda. El protector de goma de la vaina

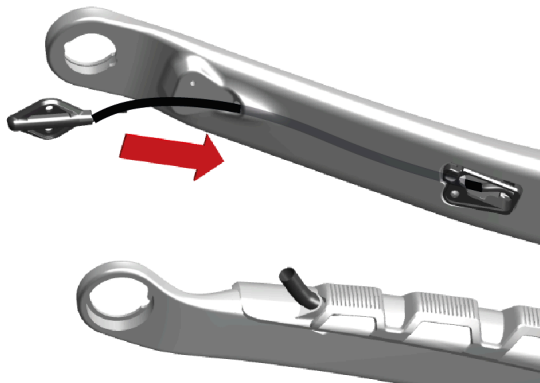
2



Guía los tubos hasta su salida correspondiente (mismo lado) del basculante y del vano motor.

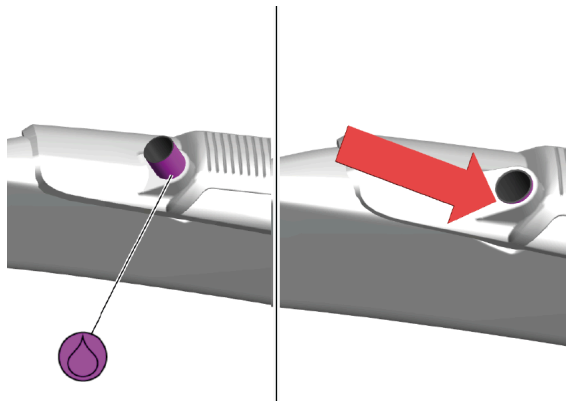
derecha debe estar previamente instalado en la vaina, ya que el tubo Cable Pass se guía a través del agujero del protector.

3



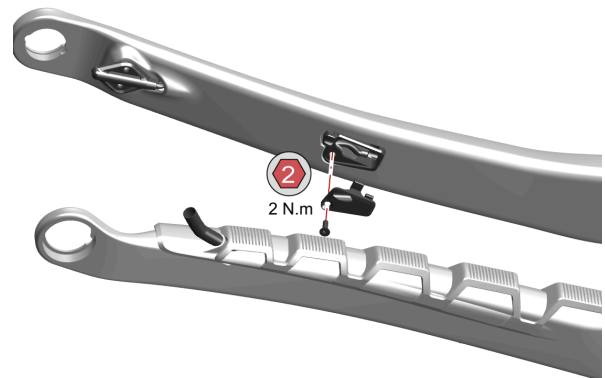
Introduce el cable del sensor de velocidad a través del orificio correspondiente y guíalo a través del tubo Cable Pass hasta el vano motor.

5



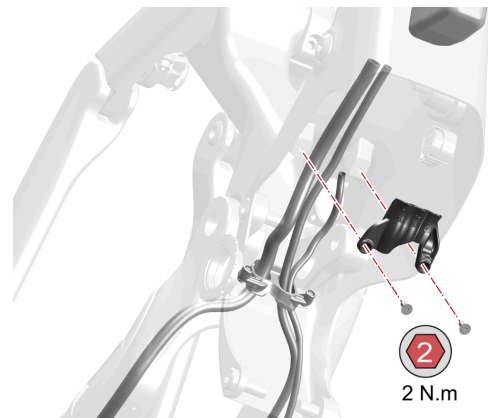
Aplica una pequeña cantidad de adhesivo instantáneo o bicomponente suave a la parte del tubo que hace contacto con el orificio del protector de goma de la vaina derecha y termina de instalarlo en el orificio del protector. Limpia inmediatamente cualquier exceso de adhesivo con alcohol isopropílico (concentración máxima 70%) y deja secar según la recomendación del fabricante de adhesivo utilizado.

4



Instala la tapa del puerto de la vaina izquierda.

6

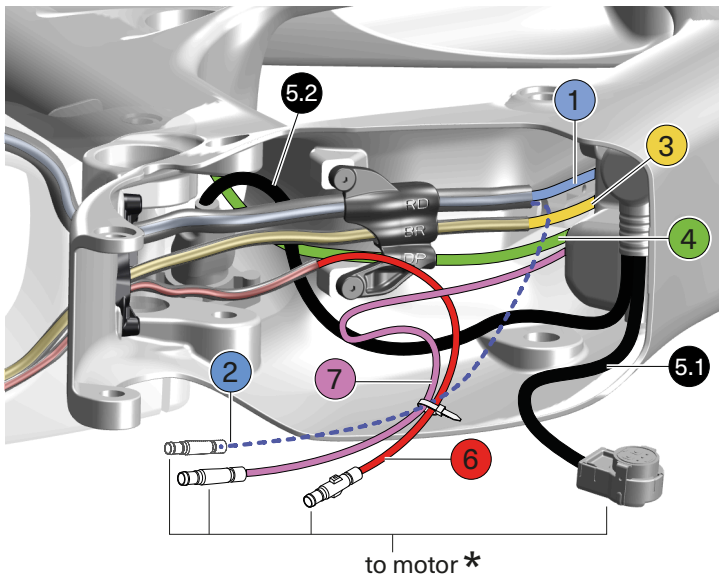


Instala el guía cables del vano motor. Consulta la sección de Cableado en vano motor para conocer la posición de todas las fundas y cables en esta zona.

## CABLEADO EN VANO MOTOR

### AVISO

Consulta la sección Componentes del sistema de asistencia eléctrica para más información sobre el sistema pedelec.



1. Funda cambio trasero (mecánico)
2. Cambio XT Di2 (montajes aftermarket)
3. Latiguillo freno trasero
4. Remoto tija telescópica
- 5.1. Cable harness RS Gen2. Conexión motor EP801/EP6
- 5.2. Cable harness RS Gen2. Punto de carga
6. Sensor velocidad EW-SS301
7. Cable Shimano EW-SD300 1200mm (a junction o display)

\*Ver sección Conexiones motor

\*\* Ver sección Cableado Di2 en manillar y potencia

## CABLEADO EN MANILLAR Y POTENCIA DE COMPONENTES SHIMANO.

Rise utiliza los manillares de la gama Mountain Control de OC Components, que disponen de un agujero en la parte posterior de la zona de amarre de la potencia y un agujero en cada extremo del manillar para permitir el guiado interno a través del manillar del remoto del sistema eléctrico y la maneta de cambio Di2 (montajes aftermarket).

Es posible montar manillares no OC sin opción de cableado interno en el manillar. En este caso, los cables del remoto del sistema eléctrico y la maneta de cambio Di2 se guiarán por el exterior del manillar montado.

Las potencias de la gama Mountain Control montadas permiten la entrada de los cables del sistema eléctrico a través de una ranura en la parte inferior de la potencia para su guiado al interior de los manillares OC. Dependiendo del montaje, puede utilizarse un conector Shimano Di2 en el interior de la potencia OC (consulta las imágenes a continuación para conocer las diferentes opciones de montaje).

### AVISO

Si se sustituye el manillar OC montado originalmente en la bicicleta, el nuevo manillar debe permitir el guiado interno de componentes electrónicos. En caso contrario, los cables de estos componentes quedarán posicionados por fuera del manillar y la potencia.

En caso de montar una potencia no OC mediante el uso del colector universal para la dirección HS02 (consulta el manual específico [Orbea ICR Headset Standards](#)), puede ser necesario que el cableado del sistema eléctrico y el conector Di2 quede fuera de la potencia si la nueva potencia instalada no dispone de opción de cableado interno.

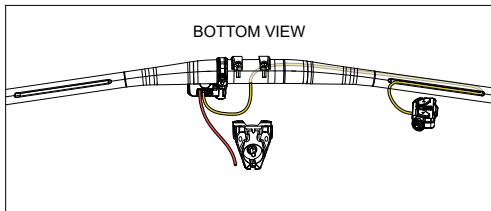
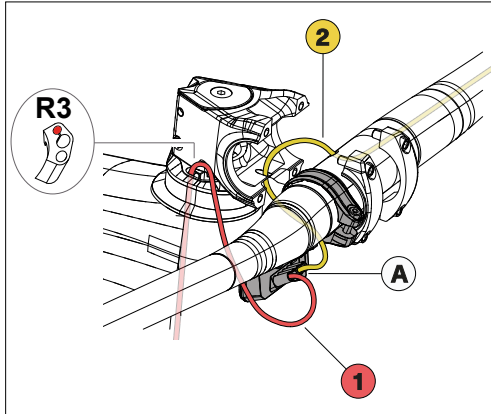
Orbea no garantiza la compatibilidad de componentes no especificados en montajes originales Orbea. Comprueba la viabilidad del montaje de los nuevos componentes antes de su instalación. Daños personales y materiales derivados de componentes no compatibles o/y una instalación incorrecta no están cubiertos por las condiciones de la garantía.

### AVISO

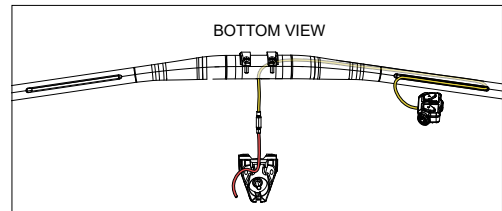
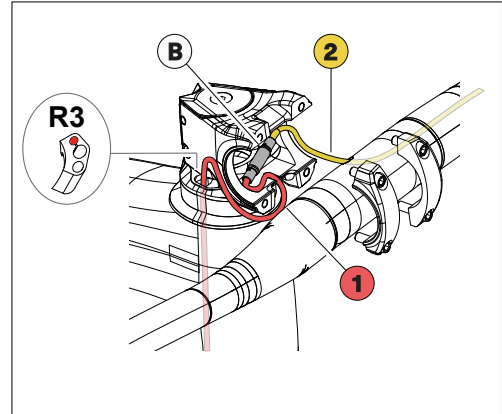
Consulta la sección Componentes del sistema de asistencia eléctrica para más información sobre el sistema pedelec.

**CABLEADO EN POTENCIA OC MOUNTAIN CONTROL HS02 Y MANILLARES OC MOUNTAIN CONTROL**

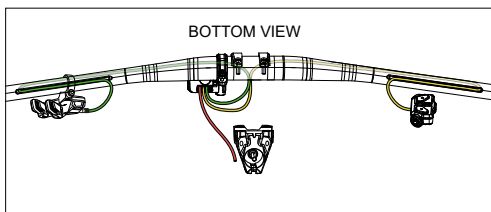
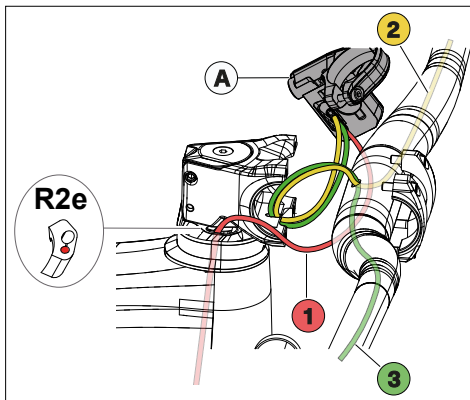
**OPCIÓN 1** Con display Shimano SC-EN600. Transmisión mecánica



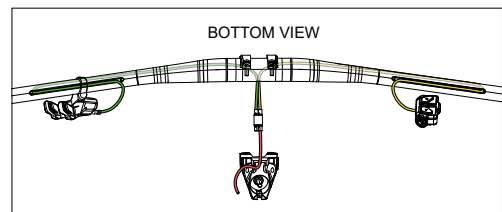
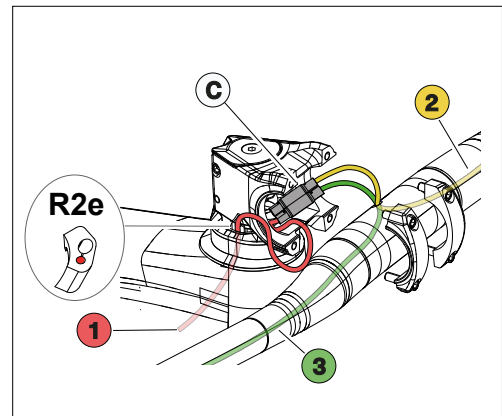
**OPCIÓN 2** Sin display Shimano SC-EN600. Transmisión mecánica



**OPCIÓN 3** Con display Shimano SC-EN600. Transmisión Di2



**OPCIÓN 4** Sin display Shimano SC-EN600. Transmisión Di2



- 1. Cable Shimano EW-SD300 1200mm (a motor)
- 2. Cable Shimano EW-SD300 700mm (a remoto SW-EN600)
- 3. Cable Shimano EW-SD300 700mm (a maneta Di2 SW-M8150-IR -montajes aftermarket-)

- A. Display Shimano SC-EN600
- B. Junction EW-JC302
- C. Junction EW-JC304 (montajes aftermarket)



## 22 COMPONENTES DEL SISTEMA DE ASISTENCIA ELÉCTRICA

### AVISO

La instalación de componentes del sistema de asistencia eléctrica requiere conocimientos avanzados y puede estar más allá de la habilidad de la mayoría de usuarios.

Siempre acude a un distribuidor oficial para el diagnóstico, reparación e instalación de los componentes del sistema eléctrico de la bicicleta.

Daños en los componentes derivados de una incorrecta instalación podrían anular la garantía de dichos componentes

### AVISO

**AVISO DE COMPATIBILIDAD. COMPONENTES GEN2 DEL SISTEMA ELÉCTRICO:** Consulta el documento de compatibilidad cruzada de componentes de los sistema Orbea Ebike Systems pinchando [aquí](#) o en nuestra web: **Soporte > Manuales > Ebike Components**

## ESQUEMA DE CONEXIÓN DE COMPONENTES

Dependiendo de la opción de montaje con o sin display Shimano y con transmisión mecánica o electrónica en cada modelo de Rise, la configuración de cableado en el manillar y dentro de la potencia cambia (consulta la sección de Cableado de este manual). Todos los montajes utilizan un cable EW-SD300 de 1200 mm desde el motor Shimano EP801. El motor Shimano EP801 utiliza un estándar de cableado Di2/STEPS EW-SD300. Consulta las imágenes de esta sección para conocer los componentes utilizados, así como el cableado de dichos componentes, en cada tipo de opción. Consulta la sección de Cableado de este manual para conocer el guiado de los cables del sistema eléctrico en el cuadro, en la potencia y en el manillar.

### AVISO

Consulta la sección de recambios de este manual para conocer las referencias de todos los componentes.

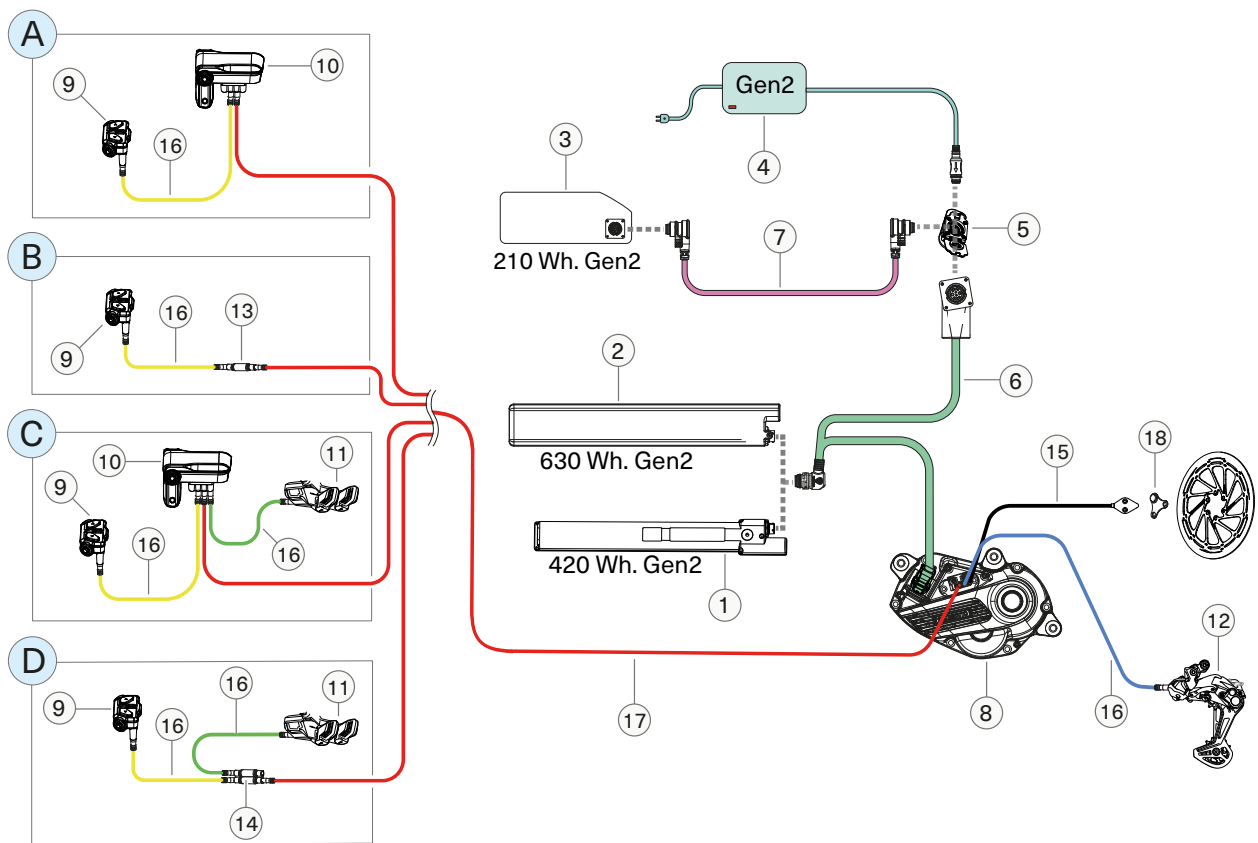
<b>A.</b>	Con display Shimano SC-EN600. Transmisión mecánica	<b>C.</b>	Con display Shimano SC-EN600. Transmisión Di2. Montajes aftermarket
<b>B.</b>	Sin display Shimano SC-EN600. Transmisión mecánica	<b>D.</b>	Sin display Shimano SC-EN600. Transmisión Di2. Montajes aftermarket

### COMPONENTES ORBEA EBIKE SYSTEMS

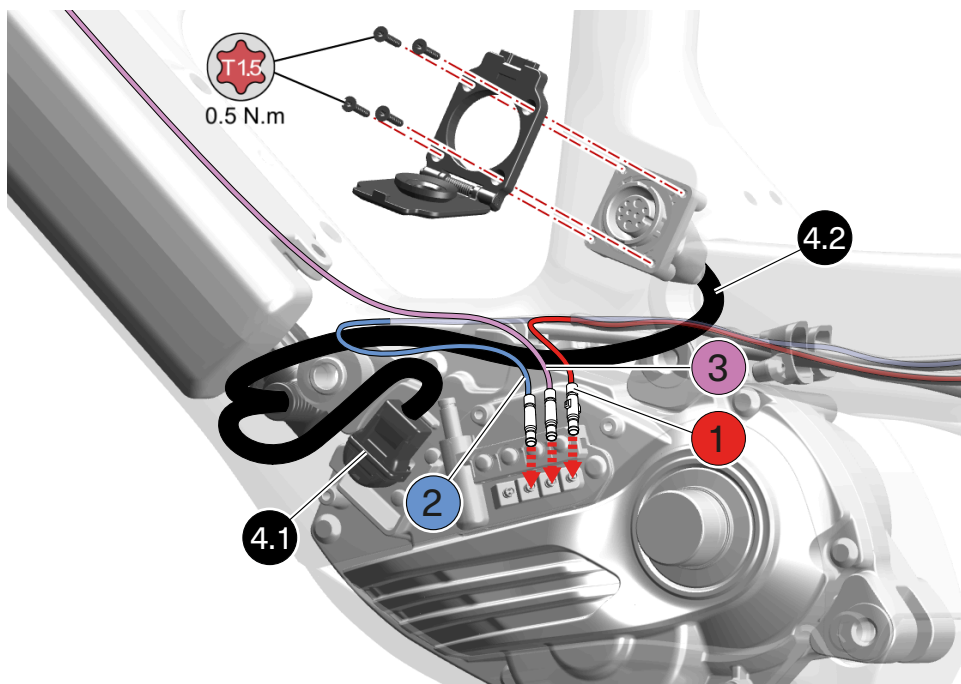
1. Batería 420Wh Gen2
2. Batería 630Wh Gen2
3. Range Extender RS 210Wh Gen2
4. Cargador Smart Charger Gen2
5. Tapa punto de carga Rise 2025
6. Cable harness batería-motor-punto carga Gen 2 Rise 2025
7. Cable Range Extender 210Wh RS 120mm

### COMPONENTES SHIMANO

8. Motor EP801/EP6
9. Mando remoto SW-EN600-L
10. Display SC-EN600 (opción)
11. Maneta XT Di2 SW-M8150-IR (montajes aftermarket)
12. Cambio XT Di2 RD-M8150-12 (montajes aftermarket)
13. Junction EW-JC302 (dentro de manillar)
14. Junction EW-JC304 (dentro de manillar)
15. Sensor velocidad EW-SS301 (en vaina izquierda)
16. Cable EW-SD300 1200mm
17. Cable EW-SD300 1200mm
18. Imán sensor velocidad (ver tabla compatibilidad de discos)



## CONEXIÓN DE COMPONENTES EN MOTOR

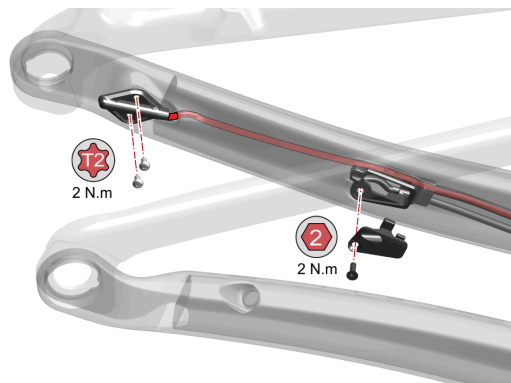


COMPONENTES SHIMANO	COMPONENTES ORBEA EBIKE SYSTEMS
1. Sensor velocidad EW-SS301	4.1. Cable harness RS Gen2. Conexión motor EP801/EP6
2. Cable EW-SD300 1200mm a cambio XT Di2 (montajes aftermarket)	4.2. Cable harness RS Gen2. Punto de carga
3. Cable a cockpit EW-SD300 1200mm	

## SENSOR DE VELOCIDAD. IMANES Y DISCOS DE FRENO COMPATIBLES

### AVISO

Para sustituir el sensor de velocidad no es necesario desmontar el basculante. Sí será necesario desmontar el motor para poder acceder a las conexiones y poder desconectar/conectar el sensor de velocidad (consulta las secciones de Fijación del motor y Cableado en el vano motor de este manual). Abre el puerto Cable Pass de la vaina izquierda para poder guiar el cable del nuevo sensor a través del tubo Cable Pass a la zona del motor.






### COMPATIBILIDAD DE DISCOS DE FRENO TRASEROS

En sensor de velocidad EW-SS301 montado en Rise está diseñado para el uso de discos de freno trasero con imán integrado en la araña del disco.

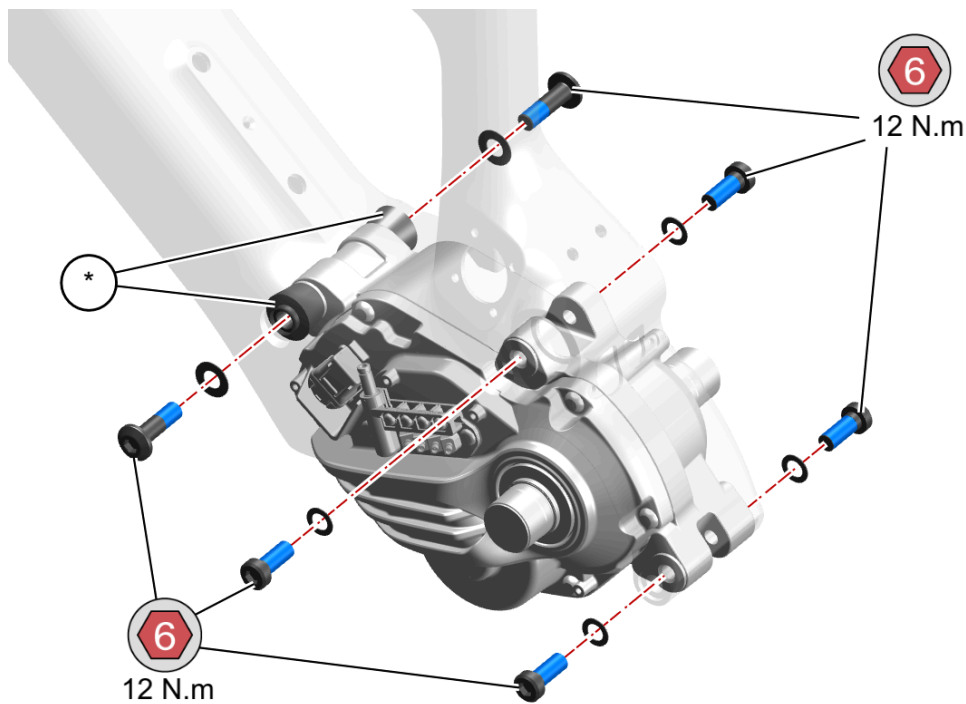
**DISCOS 6-BOLT:** La gran mayoría de discos de 6 tornillos sin imán integrado son compatibles con el uso de imán Orbea X240. Los discos de 6 tornillos con imán integrado en la araña son compatibles.


**DISCOS CENTERLOCK:** El sensor de velocidad EW-SS301 sólo es compatible con discos con el imán montado en la araña. Discos de freno sin imán en la araña donde el imán se integre en la tuerca de fijación Centerlock no son compatibles.

OPCIONES COMPATIBLES			
CENTERLOCK		6 -BOLT	
IMÁN		IMÁN	
DISCOS CENTERLOCK (180-203mm)	Integrado en araña 	DISCOS 6-BOLT (180-203mm)	Imán Orbea 6-Bolt X240 Integrado en araña 
OPCIONES NO COMPATIBLES			
CENTERLOCK		6 -BOLT	
DISCOS	IMÁN	DISCOS	IMÁN
DISCOS CENTERLOCK (sin imán integrado en araña)	Imán Orbea Centerlock X095	DISCOS 6-BOLT (sin imán integrado en araña)	Imán Orbea 6-Bolt XA90

OPCIONES NO COMPATIBLES			
CENTERLOCK		6-BOLT	
DISCOS	IMÁN	DISCOS	IMÁN
	Imán Orbea Centerlock <b>XB18</b>		Imán Orbea 6-Bolt <b>XA91</b>
	En tuerca Centerlock		
			

## FIJACIÓN DEL MOTOR AL CUADRO



COLOR	TIPO DE COMPUESTO	DESCRIPCIÓN
	FIJACIÓN	FIJADOR DE ROSCAS: Resistencia media. Tipo Loctite 243.

\* Los casquillos se instalan en la parte interna, entre el motor y el cuadro.

## BATERÍA INTERNA

### ESPECIFICACIONES DE LAS BATERÍAS INTERNAS

**AVISO**

Consulta las especificaciones técnicas de las baterías internas Orbea Gen 2 montadas en Rise en la sección Especificaciones técnicas Ebike Systems Gen 2 de este manual.  
 Consulta las advertencias y recomendaciones de carga, uso y almacenamiento de la batería interna en las secciones Uso de Rise y Advertencias de uso del sistema de asistencia eléctrica de este manual.

## FIJACIÓN DE LA BATERÍA INTERNA AL CUADRO

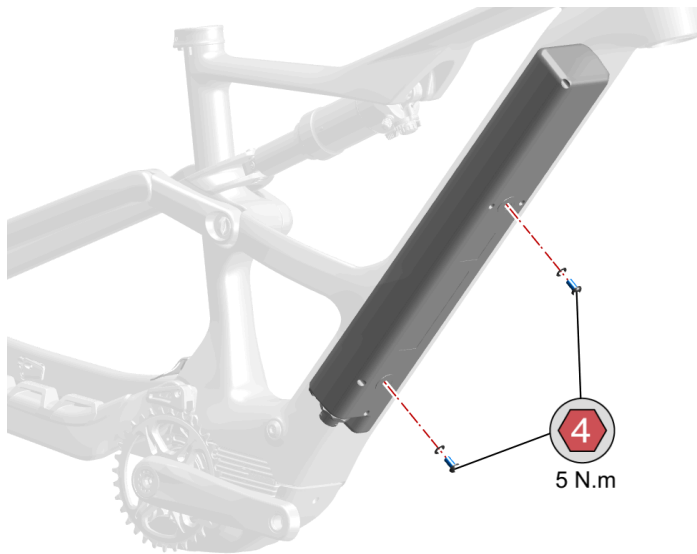
### AVISO

El método de fijación de la batería interna al cuadro es el mismo para todos los modelos de batería interna Orbea Gen2 compatibles con Rise.

Consulta la sección de desmontaje e instalación de la batería interna para conocer el proceso de montaje completo.



Utiliza sólo tornillos originales Orbea para amarrar la batería interna al cuadro de Rise.



COLOR	TIPO DE COMPUESTO	DESCRIPCIÓN
	RETENEDOR	Fijador de roscar: Resistencia media. Tipo Loctite 243.

## CONEXIÓN DEL CABLE HARNESS A LA BATERÍA INTERNA

Para conectar el cable harness a la batería interna (habiendo desmontado primero el motor Shimano EP801/ EP6), asegúrate de que los pines y la pestaña del cable y el puerto de la batería coincidan en la posición correcta.

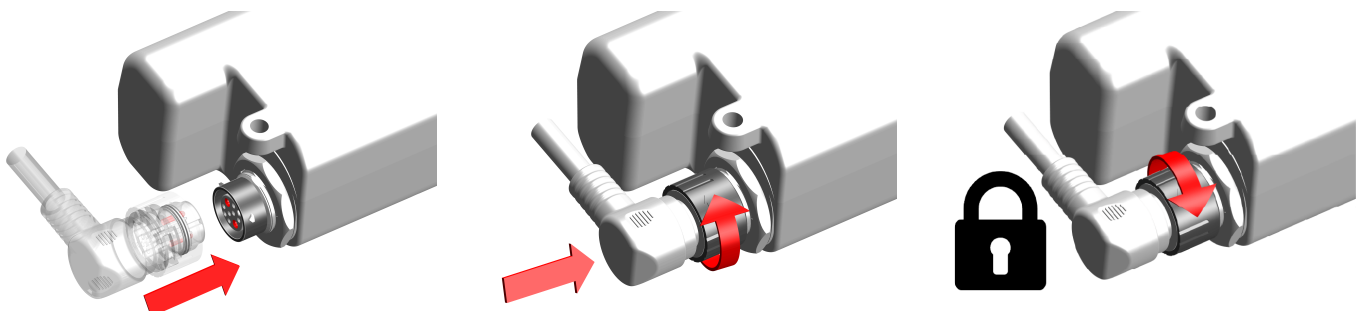
Una vez que el conector del cable harness y el de la batería hagan contacto, gira el anillo de bloqueo del conector del cable harness en sentido anti horario y presiona el conector del cable en el de la batería.

Cuando la conexión entre el cable y la batería sea completa, suelta el anillo de bloqueo para que retorne a la posición original y la conexión quede fijada.

Si el anillo de bloqueo no retorna a su posición original al soltarlo, la conexión no está asegurada

Puedes tirar ligeramente del conector del cable harness para comprobar que este está asegurado a la batería interna.

Consulta el método de extracción e instalación de la batería interna en este manual.



## DIANÓSTICO DE ERRORES DE LA BATERÍA INTERNA (INFORMACIÓN PARA DISTRIBUIDORES)

Las baterías internas Orbea Ebike Systems Gen2 no disponen de LEDs para mostrar códigos de error en las mismas y no son diagnosticables mediante E-Tube Professional. Si existe un problema en el sistema eléctrico de Rise, utiliza E-Tube Professional para comprobar que el problema no reside en otro de los componentes Shimano del sistema eléctrico.

Contacta con Shimano para proporcionar un informe del sistema a través de una reclamación. Si Shimano te informa de que el problema proviene de la batería interna, contacta con Orbea a través de una reclamación.

### AVISO

Consulta la sección Conexión a Etube Professional de este manual para conocer el método de conexión a la herramienta de diagnóstico.

## DESMONTAJE DE LA BATERÍA INTERNA (INFORMACIÓN PARA DISTRIBUIDORES)

### AVISO

La instalación y desmontaje de componentes del sistema de asistencia eléctrica requiere conocimientos mecánicos avanzados y puede estar más allá de la habilidad de la mayoría de usuarios. Siempre acude a un distribuidor oficial para el diagnóstico, reparación e instalación de los componentes del sistema eléctrico. Daños en los componentes derivados de una incorrecta manipulación podrían anular la garantía de dichos componentes.

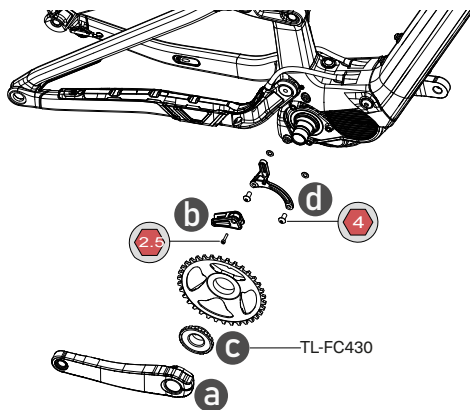


Orbea recomienda que sólo un distribuidor autorizado Orbea realice la sustitución de la batería interna, ya que requiere desmontar componentes principales de la bicicleta y el sistema eléctrico. Si vas a viajar con tu bicicleta y necesitas desmontar la batería, lleva siempre tu bicicleta a un distribuidor Orbea para evitar daños en los materiales y asegurar el funcionamiento correcto y seguro de todos los componentes. Una incorrecta instalación de los componentes puede ser causa de fallos en los mismos, lo que puede ser causa de accidentes y lesiones graves

### AVISO

El método de desmontaje de la batería interna al cuadro es el mismo para todos los modelos de batería interna Orbea Gen2 compatibles con Rise.

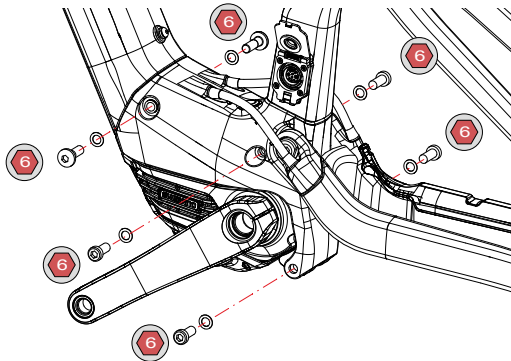
1



- a. Desmonta la biela derecha siguiendo el proceso recomendado por el fabricante:  
[https://si.shimano.com/dm/DUE001/install\\_chainring\\_crank\\_arms](https://si.shimano.com/dm/DUE001/install_chainring_crank_arms)
- b. Retira la parte superior del guía cadenas para poder desmontar el plato.
- c. Desmonta el lockring Shimano del plato para poder retirar el plato. El lockring se afloja hacia la derecha. Es necesario que la rueda trasera y la correa/cadena estén instaladas para poder bloquear el giro del plato sujetando la rueda trasera y así poder aflojar el lockring. Usa las herramientas Shimano TL-FC430 junto con la TL-FC36, TL-FC33 o TL-FC32 (las tres son compatibles) para el desmontaje del lockring.
- d. Desmonta el cuerpo del guía cadenas para poder acceder a los tornillos de fijación del motor.

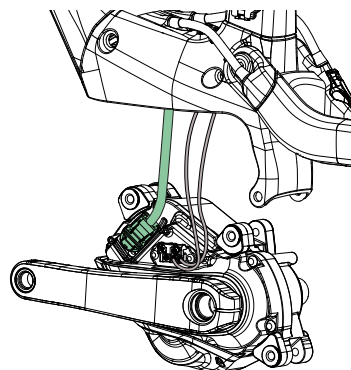
Continues next page >

2



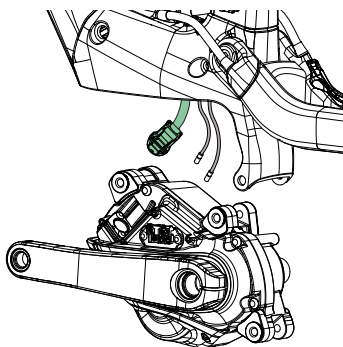
Retira los tornillos y arandelas de fijación del motor al cuadro utilizando una llave Allen de 6mm.

3



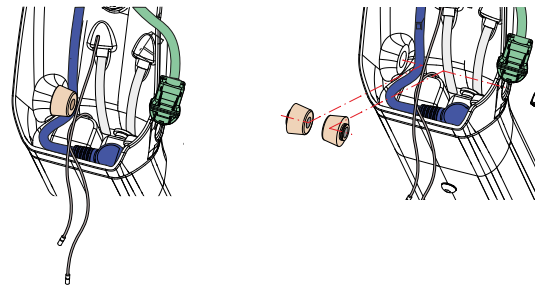
Retira con cuidado el motor del cuadro para evitar daños a los cables.

4



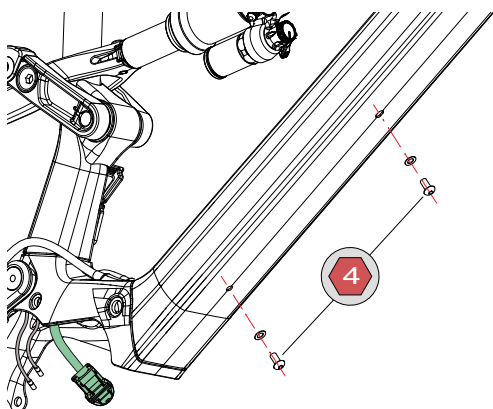
Desconecta el cable de la batería al motor y los cables del sensor de velocidad, el que va hacia el cockpit y el del cambio Di2 (en montajes con cambio electrónico).

5



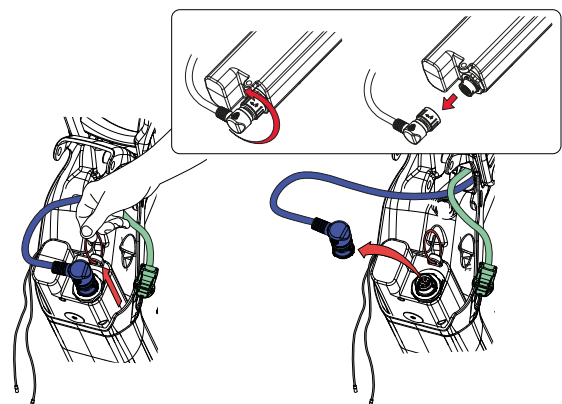
Retira los casquillos superiores de fijación del motor. Recuerda que, al volver a instalar los casquillos al instalar el motor, el cable de conexión de la batería al punto de carga debe ser guiado por encima del casquillo izquierdo para permitir la instalación del motor.

6



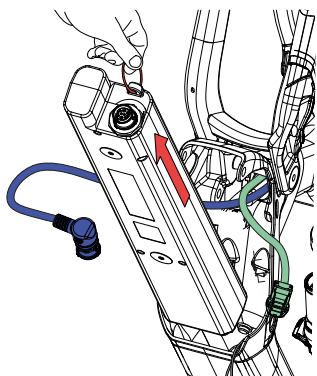
Retira los tornillos y arandelas de fijación de la batería interna al tubo diagonal.

7



Tira del "loop" de la batería para sacar la batería del tubo diagonal hasta que el conector del cable de la batería sea fácilmente accesible. Desconecta el cable de la batería girando el anillo de seguridad hacia la izquierda y tirando del conector.

8



Retira la batería del tubo diagonal.

## INSTALACIÓN DE LA BATERÍA INTERNA

---

Para volver a instalar la batería interna, sigue el proceso opuesto al desmontaje de la misma.

Comprueba el guiado de cables y pares de apriete de todos los componentes en las secciones de cada elemento en este manual.

Para la correcta instalación del lockring Shimano del plato y de las bielas, consulta la documentación del fabricante.

[https://si.shimano.com/dm/DUE001/install\\_chainring\\_crank\\_arms](https://si.shimano.com/dm/DUE001/install_chainring_crank_arms)



## RANGE EXTENDER RS 210WH GEN2

La batería externa Orbea Range Extender RS Gen2 se conecta al sistema de asistencia para proporcionar 210 Wh de capacidad adicional al mismo.

### AVISO DE COMPATIBILIDAD

#### AVISO

La batería externa Range Extender RS 210Wh Gen2 es sólo compatible con bicicletas eléctricas Orbea con sistema de asistencia eléctrica Orbea Ebike Systems Gen2 con motores Shimano EP801/EP8 y firmware RS Mountain Control. Consulta [aquí](#) la compatibilidad de los componentes Orbea Ebike System con los modelos ebike Orbea.

### ESPECIFICACIONES TÉCNICAS

#### BATERÍA EXTERNA RANGE EXTENDER RS 210Wh GEN2

<b>VOLTAJE</b>	36V
<b>CAPACIDAD</b>	210Wh
<b>PESO</b>	Aprox 1,03kg
<b>CELIDAS</b>	Ion-Litio. LG INR21700M58T
<b>TIEMPO DE CARGA 100% (2A) Con RS Smart Charger Gen2</b>	3 horas
<b>TIEMPO DE CARGA 80% (2A) Con RS Smart Charger Gen2</b>	2 horas
<b>RANGOS DE TEMPERATURA</b>	Carga: 0°C — 40°C Descarga (uso): -10°C — 40°C Almacenamiento: 0°C — 35°C (Humedad 5% — 65%)
<b>MONTAJE</b>	Portabidón específico en tubo diagonal
<b>CONEXIÓN</b>	Cable específico Rise 120mm
<b>ESTANQUEIDAD</b>	IPX6
<b>CERTIFICACIONES</b>	ISO13849 > ISO13849-1:2015 IEC62133 > IEC62133:2017 UN 38.3 Korea: KC XU103387-24003 US (UL) SGS 802543
<b>COMPATIBILIDAD</b>	Compatible con sistemas Orbea Ebike System Gen2 MC <a href="#">Ver tabla de compatibilidad</a>



## CARGA DEL RANGE EXTENDER

### AVISO

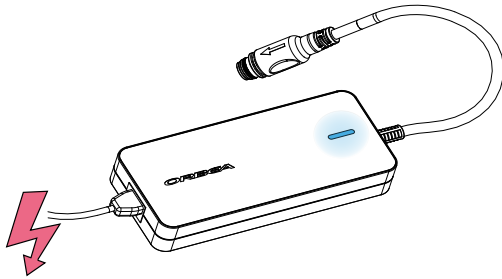
Carga completamente el Range Extender antes de utilizarlo por primera vez.

Para prolongar la vida útil de la batería, carga el Range Extender lo antes posible después de usarlo.

Evita dejar el cargador conectado a la batería durante largos periodos de tiempo de manera continuada y carga la batería bajo supervisión de manera que puedas desconectar el cargador si detectas alguna anomalía como humo, olor a quemado o fuego. El cargador inteligente RS está diseñado para cortar el proceso de carga cuando la batería está completamente cargada para evitar daños a las celdas y que puedas cargar la batería sin preocupaciones. Sin embargo, siempre es recomendable supervisar la carga para evitar daños en caso de un funcionamiento defectuoso del cargador.

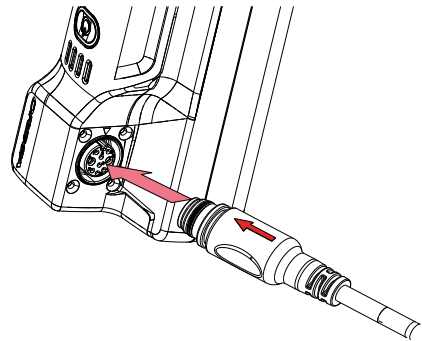
Las baterías de litio son sensibles a las temperaturas durante el proceso de carga. Respeta siempre los rangos de temperatura de carga, descarga y almacenamiento incluidos en la tabla de especificaciones técnicas del Range Extender.

1



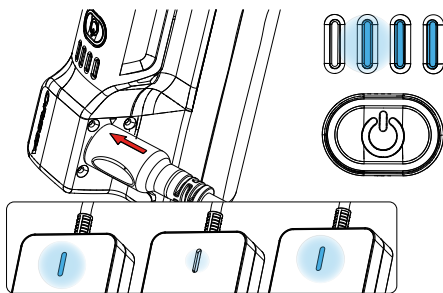
Conecta el cargador Smart Charger Gen2 a un enchufe. Sin el cargador conectado a la batería, el LED del cargador parpadeará en azul.

2



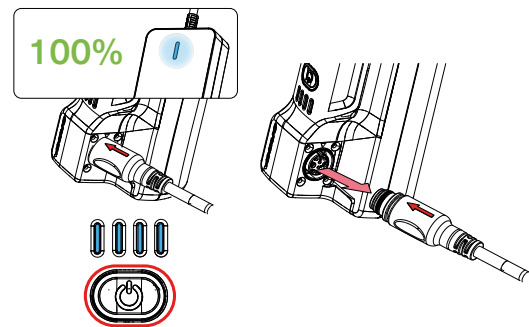
Conecta el cargador al Range Extender alineando correctamente los pines del puerto de carga con los del conector del cargador.

3



El LED del cargador lucirá en azul de manera fija durante 2 segundos y luego empezará a encenderse y desvanecerse gradualmente de manera cíclica hasta que la batería esté completamente cargada. Mientras el Range Extender está cargando, los LED de indicación de carga de la batería mostrarán el nivel actual de carga. El LED parpadeando muestra el tramo (en incrementos de 25%) que está siendo cargado.

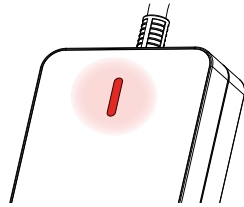
4



Cuando la batería esté completamente cargada, el LED del cargador volverá a lucir en azul de manera fija. Puedes comprobar el nivel de carga del Range Extender pulsando el botón de encendido.

Desconecta el cargador del puerto de carga tirando con cuidado del conector del cargador.

Continues next page >

**ERROR!**

Si el LED del cargador luce rojo al conectar el cargador a un enchufe o durante la carga, existe un problema. Desconecta el cargador inmediatamente y consulta la sección de resolución de errores del cargador en este manual. Si el problema persiste, contacta con un distribuidor autorizado Orbea.

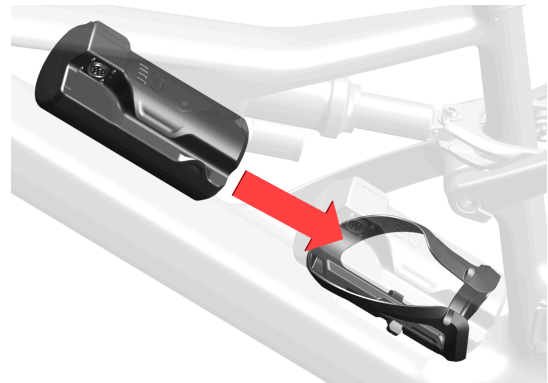
## MONTAJE DEL RANGE EXTENDER

1



Si el soporte específico del Range Extender RS 210Wh no está instalado en la bicicleta compatible, móntalo usando los tornillos originales instalados en el cuadro (sin usar arandelas entre el soporte del Range Extender y el cuadro).

2



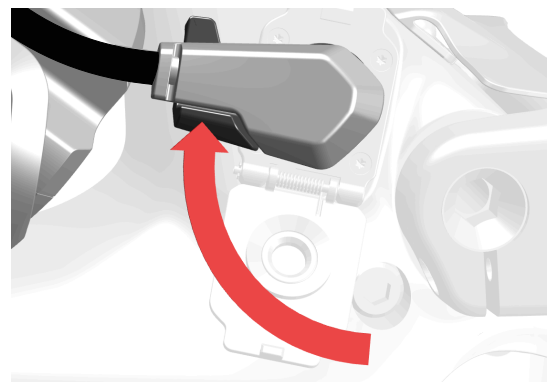
Introduce la batería Range Extender en el soporte desde el lado izquierdo de la bicicleta.

3



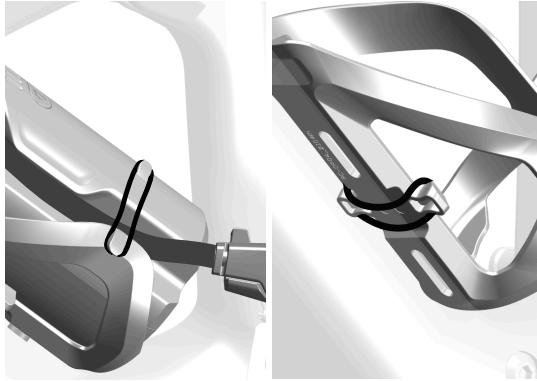
Instala el extremo del cable de conexión específico del Range Extender RS 210Wh sin pestaña a la batería externa. Abre la tapa del punto de carga de la bicicleta para conectar el otro extremo del cable del Range Extender. Abre la pestaña de seguridad del conector del cable antes de realizar la conexión y conecta el cable al punto de carga.

4



Una vez has conectado el cable al punto de carga, cierra la pestaña de seguridad del conector para asegurar la conexión.

5



Asegura la batería al soporte con la goma incluida. Cuando la batería Range Extender no está en uso, la goma puede alojarse en la parte inferior del soporte.

## FUNCIONAMIENTO DEL RANGE EXTENDER

---

### ENTREGA DE POTENCIA AL MOTOR

---

El Range Extender alimenta el motor Shimano EP801 ó EP6 directamente. Al usar tu bicicleta Orbea compatible con el Range Extender conectado, sólo el Range Extender proporcionará corriente al motor hasta agotar la carga del Range Extender.

Tras agotar el Range Extender, la batería interna pasará a proporcionar corriente al motor si tuviese carga restante. En este momento, el display, el mando remoto o el campo de datos Orbea RS Toolbox pasará a mostrar el nivel de carga sólo de la batería interna.

### CONEXIÓN A LA BICICLETA

---

Si has conectado el Range Extender a la bicicleta y ésta está apagada, al encender la bicicleta, el sistema de asistencia reconocerá a la batería externa como parte del mismo y sólo el Range Extender proporcionará corriente al motor. No es preciso pulsar el botón del Range Extender para encenderlo.

Si la bicicleta ya estaba encendida al conectar el Range Extender, el sistema reconocerá a la batería externa como parte del mismo y sólo el Range Extender proporcionará corriente al motor. No es preciso pulsar el botón del Range Extender para encenderlo.

**APAGAR EL RANGE EXTENDER CONECTADO A LA BICICLETA:** Cuando el Range Extender está conectado a la bicicleta y ésta está encendida, es posible apagar el Range Extender pulsando durante 3 segundos el botón principal del Range Extender. En este caso, la bicicleta continuará encendida y el sistema se alimentará únicamente de la batería interna.

No es posible volver a encender el Range Extender pulsando el botón principal del Range Extender estando éste conectado a la bicicleta encendida. En este caso será necesario apagar la bicicleta (con el Range Extender aún conectado) y volver a encender la bicicleta para que el sistema vuelva a reconocer la batería externa.

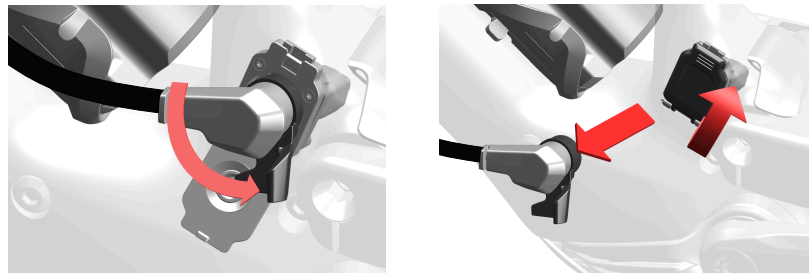
Si el Range Extender se desconecta de la bicicleta encendida (habiendo apagado previamente el Range Extender) y vuelve a conectarse Range Extender a la bicicleta encendida, el sistema no reconocerá el Range Extender. Será necesario apagar y volver a encender la bicicleta para que el sistema reconozca el Range Extender.

### DESCONEXIÓN DEL RANGE EXTENDER

---

Para desconectar el Range Extender de la bicicleta, gira la pestaña de seguridad del cable de conexión del Range Extender y tira con cuidado del conector del cable del Range Extender. Una vez desconectado el cable, cierra la tapa del punto de carga de la bicicleta.

Si el Range Extender se desconecta del punto de carga de la bicicleta estando ésta encendida, la bicicleta se apagará, y será necesario volver a encender la bicicleta para que el sistema se alimente sólo de la batería interna.



## FUNCIÓN DE LIMITACIÓN DE POTENCIA

### AVISO

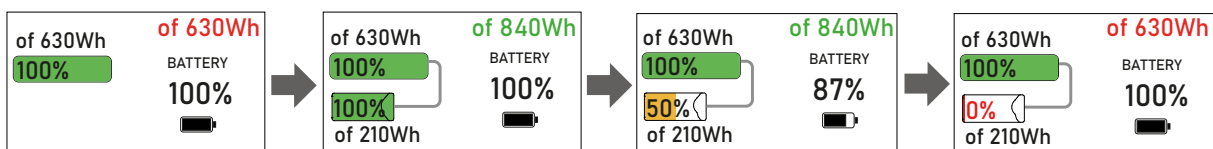
Cuando el Range Extender está conectado a la bicicleta, el motor limita la entrega de potencia para adaptarse a las características de entrega de corriente del Range Extender y así prolongar la vida útil de la batería. Se mantienen las características de asistencia de cada nivel y la posibilidad de cambiar de nivel de asistencia dentro del nuevo techo de potencia. Esta limitación de entrega de potencia del motor podría ser perceptible en los niveles de asistencia más altos. Orbea recomienda no modificar al alza las características de asistencia y par de los niveles de asistencia a través de la aplicación Shimano Etube. La parametrización del motor en bicicletas compatibles con el Range Extender está optimizada para su uso con la batería interna y el Range Extender.

## VISUALIZACIÓN DEL NIVEL DE CARGA

### NIVEL DE CARGA CONJUNTO

Con el Range Extender conectado a la bicicleta (ver sección Conexión), el sistema calculará la capacidad total de ambas baterías y la información de la carga restante del sistema vendrá dada por la suma de los niveles de carga y capacidades de ambas baterías. El nivel combinado de carga de las baterías será visible a través de la maneta remota o displays Shimano y/o el campo de datos Orbea RS Toolbox para dispositivos Garmin.

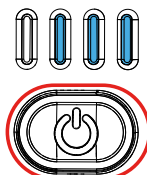
Cuando el Range Extender, estando este conectado a la bicicleta, haya agotado su carga, el sistema volverá a mostrar, mediante el modo de visualización disponible (displays, remoto o RS Toolbox) sólo la carga disponible de la batería interna, teniendo en cuenta la capacidad total de la batería interna y no del conjunto de batería interna y Range Extender.



\* Este gráfico muestra el comportamiento del Range Extender junto con la batería interna Orbea RS 630Wh. Baterías internas de diferente capacidad darán resultados de capacidad conjunta diferente.

### NIVEL DE CARGA DEL RANGE EXTENDER POR SEPARADO

Pulsa una vez el botón principal de la batería Range Extender para conocer el nivel de carga. Los LED lucirán mostrando el nivel de carga actual en segmentos de 25% de derecha a izquierda durante 5 segundos.



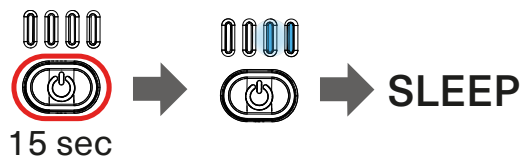
## ALMACENAMIENTO DEL RANGE EXTENDER

### AVISO

Si planeas almacenar el Range Extender durante un largo periodo de tiempo, carga la batería alrededor del 50% de su capacidad antes de almacenarla y comprueba el nivel de carga cada 3 meses (vuelve a cargarla al 50%). Nunca dejes que el nivel de carga baje del 10% para evitar daños a las celdas.

### MODO SLEEP

Si no vas a usar el Range Extender durante un largo periodo de tiempo, Orbea recomienda poner el Range Extender en modo Sleep para proteger la batería. Mantén pulsado el botón principal del Range Extender durante 15 segundos. Los leds 1 y 2 se iluminarán alternativamente y luego se apagarán. El Range Extender está en modo Sleep. Para reactivarlo, conecta el cargador Smart Charger Gen2 al Range Extender (con el cargador conectado a una toma de corriente). Éste se reactivará inmediatamente y comenzará a cargar.



**MODO SLEEP AUTOMÁTICO:** Si la tensión del Range Extender (carga) se mantiene por debajo de 31V durante 7 días o por debajo de 35V durante 3 meses, el Range Extender entrará automáticamente en modo Sleep. Para reactivar el Range Extender, conecta el cargador Smart Charger Gen2 al Range Extender (con el cargador conectado a una toma de corriente). Éste se reactivará inmediatamente y comenzará a cargar.

### AVISO

Antes de usar el Range Extender, especialmente si no se ha usado recientemente, es recomendable pulsar el botón principal del Range Extender para comprobar su estado. Si al pulsar el botón principal los leds se iluminan mostrando el nivel de carga, el Range Extender está operativo. Si los leds no se iluminan, la batería del Range Extender podría estar agotada o el Range Extender podría haber entrado en modo Sleep. Conecta el cargador Smart Charger Gen2 al Range Extender (con el cargador conectado a una toma de corriente). Éste se reactivará inmediatamente y comenzará a cargar.

## COMPROBAR EL ESTADO DE SALUD DEL RANGE EXTENDER

El estado de salud (vida útil) de las baterías de ion-litio se ve reducida por los ciclos de carga y las condiciones de uso a lo largo de la vida útil de la batería.

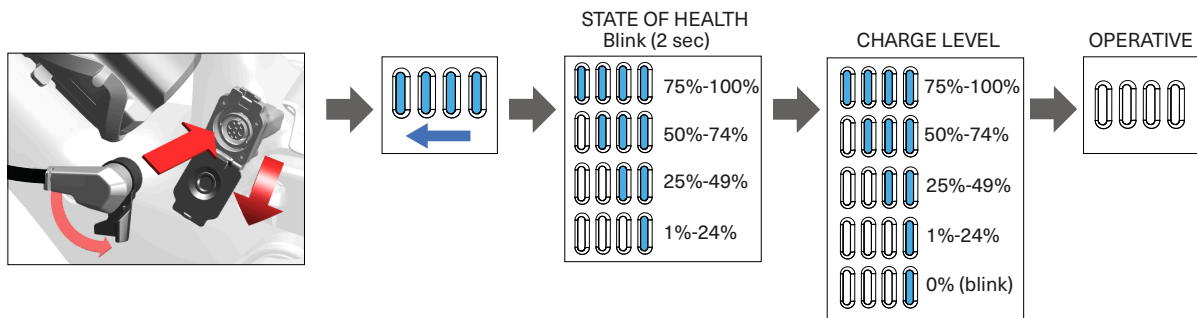
En condiciones de uso normales, respetando las condiciones y rangos de temperaturas de uso, carga y almacenamiento, las baterías Orbea Ebike Systems verán reducida su vida útil en aproximadamente un 20% tras 500 ciclos completos de carga.

### AVISO

Este dato de salud de las baterías se da para circunstancias de uso ideales. Este puede verse afectado por condiciones de uso, carga y almacenamiento en temperaturas muy frías, por almacenar la batería durante largos periodos de tiempo sin restaurar el nivel de carga, por el uso repetido de la batería con niveles de carga muy bajos, etc.

Para conocer el estado de salud de tu Range Extender, conecta la batería a una bicicleta compatible ya encendida o enciende la bicicleta con el Range Extender conectado.

Los cuatro leds del Range Extender harán un barrido hacia la izquierda y luego parpadearán mostrando el estado de salud de la batería por 2 segundos. Luego lucirán de manera fija mostrando el nivel de carga actual de la batería y se apagarán.



## RESOLUCIÓN DE ERRORES

Si el Range Extender no carga o no proporciona corriente al motor, pulsa una vez el botón principal del Range Extender. Si hay un error detectado en la batería, los leds mostrarán el código de error. Consulta la tabla a continuación para conocer el error y su solución.

### AVISO

Cuando en la siguiente tabla se menciona "Contacta con Orbea", será en caso de que un distribuidor esté realizando el diagnóstico de la batería.

Si un usuario final no consigue solucionar un error o mal funcionamiento siguiendo las indicaciones de la siguiente tabla, deberá contactar con un distribuidor autorizado Orbea, que tramitará la reclamación con Orbea.

SITUACIÓN	POSIBLE MOTIVO	SOLUCIÓN
No hay corriente al motor	El cable no se ha conectado correctamente	Conecta el cable correctamente como describe el manual de usuario
La batería no carga	Mala conexión del cargador o problema con toma de corriente	Comprueba conexión de cargador. Ver resolución de problemas de cargador
	Carga al 100%	La batería está operativa

PULSA	LEDs	COMPORTAMIENTO LEDs	ERROR	SOLUCIÓN
		Parpadean	Voltaje/nivel de carga demasiado bajo. El Range Extender se apaga.	Carga la batería con el Smart Charger RS Gen2
		Parpadean	Protección de temperatura. El Range Extender se apaga.	Espera hasta que la temperatura esté dentro del rango de uso
		Parpadean 1 vez por segundo	Protección por corriente demasiado alta. La bicicleta se apaga.	Espera 30 segundos antes de volver a usar la batería
		Parpadean 5 veces por segundo	Protección por cortocircuito o corriente severamente alta. La bicicleta se apaga.	Desconecta la batería externa. Inspecciona los conectores. Vuelve a conectar la batería externa enciende el sistema.
		Parpadean	Error de celda o hardware	Contacta con Orbea

Si el problema no desaparece, contacta con Orbea

## SMART CHARGER 2A-4A GEN2

### AVISO

Consulta las especificaciones técnicas del cargador Smart Charger Gen2 en la sección Especificaciones técnicas Ebike Systems Gen 2 de este manual.

Consulta las advertencias y recomendaciones de uso del cargador en la sección Advertencias de uso del sistema de asistencia eléctrica de este manual.

Consulta [aquí](#) la compatibilidad de los componentes Orbea Ebike System con los modelos ebike Orbea.

### CORRIENTE DE CARGA VARIABLE

El Smart Charger RS reconoce a qué batería ha sido conectado (batería interna o Range Extender) y adapta la corriente de carga de manera acorde.

La corriente de carga de la batería interna es de 4A (100- 240V). La corriente de carga del Range Extender es de 2A (100-240V). La velocidad de carga de las baterías hasta un nivel de carga de 80% es mayor, y se reduce hasta llegar al 100% del nivel de carga.

### USO DEL CARGADOR SMART CHARGER RS GEN2

### AVISO

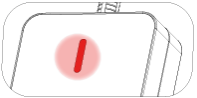
Consulta la sección de carga de los baterías de este manual para conocer el método de uso del cargador Smart Charger Gen2.

#### SIGNIFICADO DEL LED DEL SMART CHARGER

LED	COMPORTAMIENTO	ESTADO
	LED azul parpadeando	Cargador recibiendo corriente pero no conectado a la batería
	LED azul se enciende y desvanece de manera cíclica	Cargador cargando la batería
	LED azul fijo	Carga completada
	LED rojo fijo	Error. Consulta la tabla de resolución de errores



## RESOLUCIÓN DE ERRORES CARGADOR SMART CHARGER RS GEN2

LED	POSIBLE ERROR Seguir soluciones en orden descendente	SOLUCIÓN
	Protección por corriente demasiado alta	<ul style="list-style-type: none"> <li>- Desconecta la batería</li> <li>- Inspecciona el cable y el puerto de carga en busca de suciedad, humedad u objetos extraños.</li> <li>- Si el problema no desaparece, contacta un distribuidor Orbea.</li> </ul>
	Protección por cortocircuito	<ul style="list-style-type: none"> <li>- Desconecta la batería.</li> <li>- Inspecciona el cable y el puerto de carga en busca de suciedad, humedad u objetos extraños.</li> <li>- Si el problema no desaparece, contacta un distribuidor Orbea.</li> </ul>
	Protección por temperatura demasiado alta	<ul style="list-style-type: none"> <li>- Espera hasta que la temperatura del cargador esté dentro del rango de carga.</li> <li>- Si el problema no desaparece, contacta un distribuidor Orbea.</li> </ul>
	Protección por inacción	<ul style="list-style-type: none"> <li>- El tiempo de conexión a la corriente o la batería sin carga efectiva supera con exceso el límite establecido.</li> </ul>
	Protección por comunicación anormal	<ul style="list-style-type: none"> <li>- Contacta con un distribuidor Orbea</li> </ul>
	Protección por voltaje demasiado alto.	<ul style="list-style-type: none"> <li>- El voltaje de la batería es demasiado alto</li> <li>- Contacta con un distribuidor Orbea.</li> </ul>

## CONEXIÓN A ETUBE PROFESSIONAL. INFORMACIÓN PARA DISTRIBUIDORES.

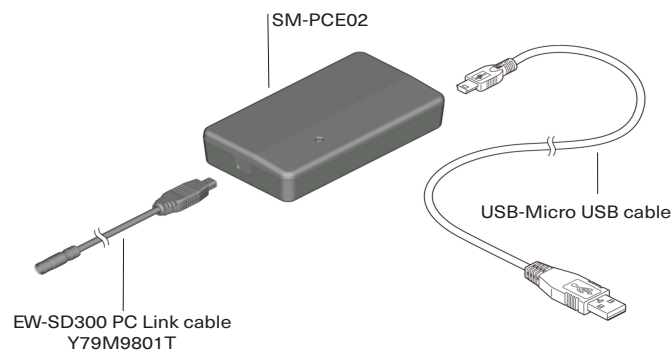


### AVISO

La conexión y diagnóstico del sistema Shimano STEPS mediante la herramienta Etube Professional debe ser realizada por un distribuidor autorizado. Como usuario, recuerda que puedes usar la aplicación para móviles Etube Project Cyclist para conectar tu bicicleta, personalizar el sistema y realizar ciertos diagnósticos.

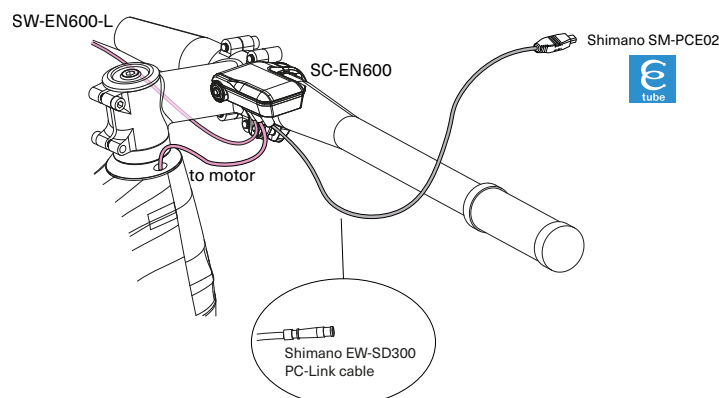
Para acceder a toda la información de Shimano EP801 en Etube, actualiza tu versión del software a Etube Project 5 a la última versión: <https://bike.shimano.com/en-EU/e-tube/project/forwindows.html>

Para la conexión del sistema eléctrico Shimano EP801/EP6 a Etube Professional es preciso contar con el interfaz Shimano SM-PCE02. También es posible la conexión y diagnóstico de componentes de manera individual. Consulta el manual de la herramienta E-Tube Professional: <https://si.shimano.com/en/um/7J4WA>



## CONEXIÓN DE MONTAJES CON DISPLAY SC-EN600 Y TRANSMISIÓN MECÁNICA

En la opción de montaje con el display SC-EN600 y transmisión mecánica (no Di2) puedes conectar directamente el cable PC-Link de estándar EW-SD300 al puerto libre del display y conectar el cable PC-Link a la interfaz SM-PCE02.

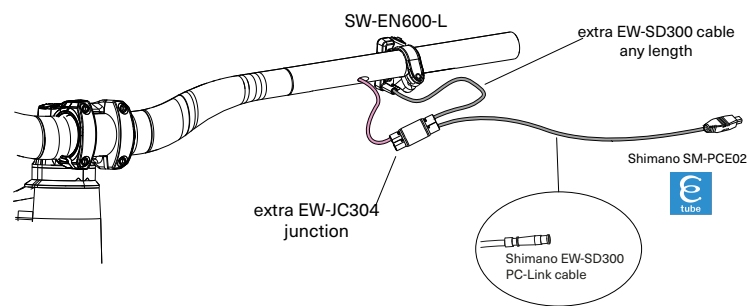


## CONEXIÓN DE OTRAS OPCIONES DE MONTAJE

- Montajes con display SC-EN600 y transmisión electrónica Di2
- Montajes sin display y transmisión electrónica Di2
- Montajes sin display y transmisión mecánica (no Di2)

Para estas opciones de montaje es necesario crear un punto de conexión libre para conectar el sistema completo a la interfaz SM-PCE2.

Para ello, desconecta el cable Di2 SD300 del mando remoto SW-EN600-L y usa un conector Shimano EW-JC304 de cuatro puentes y un cable extra SD300 de cualquier longitud para crear un puerto libre en el sistema. Conecta el cable PC-Link EW-SD300 al puerto libre del conector EW-JC304 y éste a la interfaz SM-PCE2.



## INSTALACIÓN DE TRANSMISIONES ELECTRÓNICAS Y BICICLETAS CON CONFIGURACIÓN MECÁNICA DE SERIE

Se en bicicletas eléctricas con motor EP801/EP6 que se montaron originalmente por Orbea con transmisión mecánica se sustituye el cambio por un cambio electrónico Di2 compatible, será necesario modificar la configuración de la bicicleta para que reconozca los nuevos componentes. En caso de no modificar la configuración, el sistema alertará de un error de componentes al encender la bicicleta y no proporcionará asistencia eléctrica.

Este cambio de configuración no puede ser llevado a cabo por un usuario ni por un distribuidor conectando la bicicleta a la E-tube Cyclist o Professional respectivamente. El distribuidor debe contactar con Orbea o con Shimano para realizar el cambio de configuración en remoto.

## BATERÍAS ORBEA EBIKE SYSTEMS GEN2 EN ETUBE PROFESSIONAL

La batería Interna Orbea Gen2 es visible como parte del sistema Shimano EP801/EP6S al conectar el sistema a E-tube Professional utilizando la herramienta de diagnóstico de Shimano SM-PCE02

Con la herramienta de diagnóstico SM-PCE02, puedes acceder a información relevante de la batería en la pestaña Mantenimiento, como la versión del firmware y los ciclos de carga.

La baterías internas Orbea Gen2 no son diagnosticables mediante E-Tube Professional. Si existe un problema en el sistema eléctrico, utiliza E-Tube Professional para comprobar que el problema no reside en otro de los componentes Shimano del sistema eléctrico. Contacta con Shimano para proporcionar un informe del sistema a través de una reclamación. Si Shimano te informa de que el problema proviene de la batería interna, contacta con Orbea a través de una reclamación.

## CONEXIÓN DE LUCES AL MOTOR SHIMANO EP801/EP6 RS

---

### AVISO

Rise no está diseñada para el uso de luces conectadas al motor, por lo que esta instalación, en caso de ser llevada a cabo, es responsabilidad del usuario y/o distribuidor Shimano que desee realizarla.

**ATENCIÓN:** El uso de luces conectadas al motor puede reducir de manera considerable la autonomía de tu bicicleta. Consulta las opciones de gomas SIC del colector de dirección HS02 en la sección de cableado de este manual para conocer las opciones de salida del cable de la luz delantera en caso de querer instalarla. Los montajes Orbea de Rise no disponen de luces. Orbea no se responsabiliza de la compatibilidad de montajes aftermarket realizados por los usuarios o un distribuidor. Comprueba la compatibilidad de los componentes antes de proceder a su instalación.

El motor Shimano EP801/EP6 permite la conexión de luces mediante los puertos habilitados en el mismo motor (cable pelado).

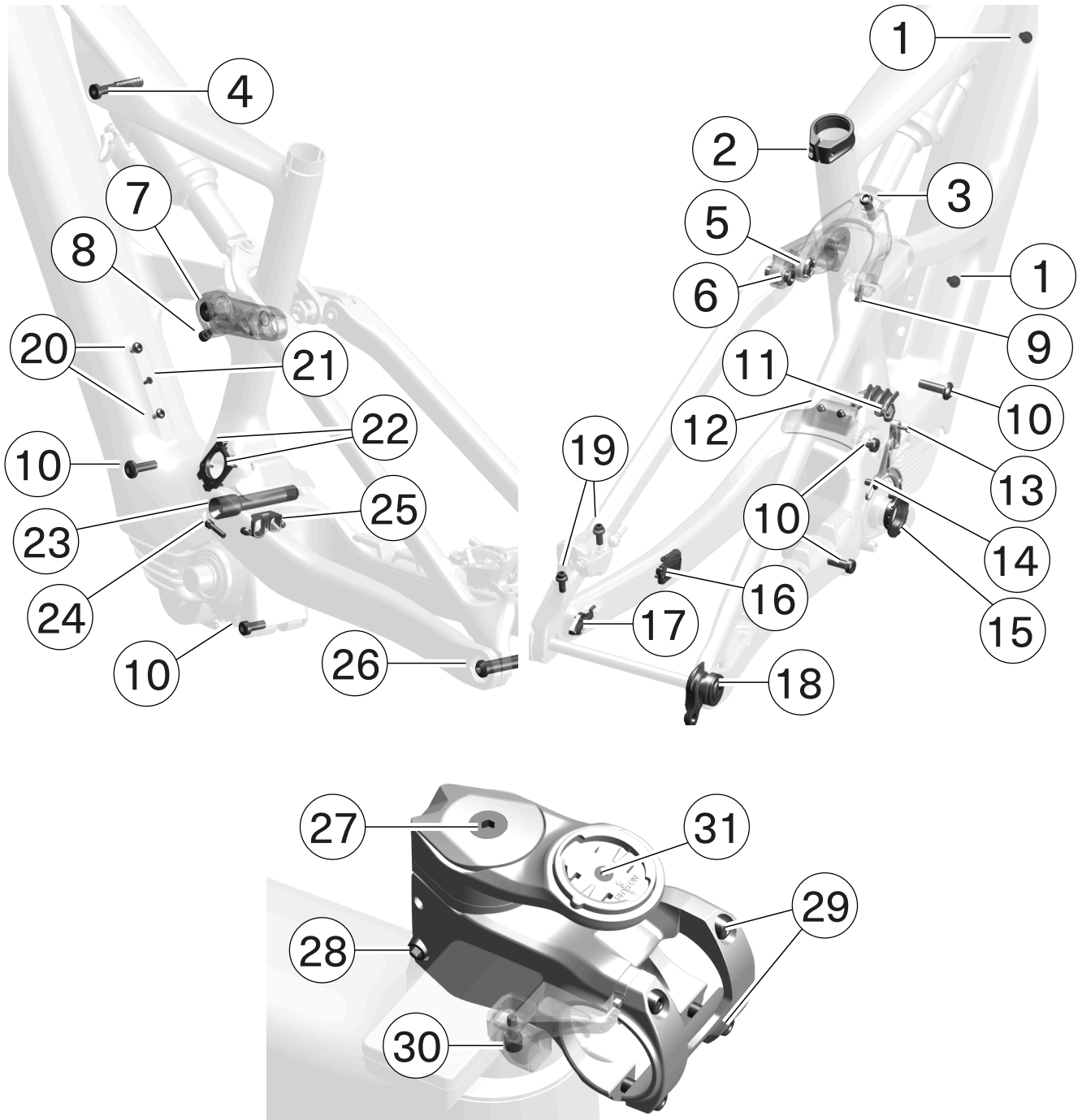
Rise se entrega con los puertos de luces del motor deshabilitados. Sin embargo, un distribuidor autorizado Shimano puede habilitar los puertos de luces a través de Etube Professional conectado la bicicleta con la interfaz SM-PCE02.

Es posible elegir si las luces estarán siempre encendidas al encender la bicicleta o si el usuario puede elegir encenderlas a través del display.

### AVISO

**ATENCIÓN:** Existen leyes que podrían exigir que una ebike con luces reserve automáticamente un porcentaje de carga de la batería para alimentar las luces durante un tiempo establecido cuando la batería se está agotando, desconectando la asistencia del motor. Sigue siempre la normativa del territorio donde uses tu bicicleta.

# 23 PARES DE APRIETE. VISTA GENERAL



NÚMERO	COMPONENTE	HERRAMIENTA	MÉTRICA	PAR APRIETE
1	Tornillos fijación batería interna	Allen	4 mm	5 N.m
2	Abrazadera tija sillín	Allen	4 mm	5 N.m
3	Fijación amortiguador a prolongador LT	Allen	6 mm	8 N.m
	Fijación amortiguador a prolongador SL alloy	Allen	5 mm	8 N.m

NÚMERO	COMPONENTE	HERRAMIENTA	MÉTRICA	PAR APRIETE
4	Fijación amortiguador a cuadro	Allen	5 mm	10 N.m
5	Ejes prolongador amortiguador a bieleta	Allen	6 mm	10 N.m
6	Ejes bieleta a tirantes	Allen	5 mm	10 N.m
7	Tornillo precarga bieleta izquierda	Allen	4 mm	4 N.m
8	Pinch bolt bieleta izquierda	Allen	5 mm	10 N.m
9	Pinch bolt prolongador LT	Allen	3 mm	1 N.m
10	Tornillos fijación motor a cuadro	Allen	6 mm	12 N.m
11	Tornillos guía cables vano motor	Allen	2 mm	2 N.m
12	Tornillos protector spoiler (no en Rise Hydro)	—	—	—
13	Tornillo-tuerca guía cadena	Allen	2.5 mm	2.5 N.m
14	Tornillos guía cadena-motor	Allen	4 mm	4 N.m
15	Lockring plato	TL-FC430	4 mm	35-45 N.m
16	Tornillo puerto guía cables vaina izquierda	Allen	2 mm	2 N.m
17	Tornillos sensor de velocidad	Torx	T2	2 N.m
18	Tornillo pata cambio Sram UDH (rosca inversa)	Allen	8 mm	25 N.m
19	Tornillos pinzas de freno	Allen	5 mm	6-8 N.m
20	Tornillos porta bidón	Allen	3 mm	5 N.m
21	Tornillo pletina interna porta bidón	Allen	2 mm	2 N.m
22	Tornillos tapa punto de carga	Torx	T1.5	0.5 N.m
23	Eje punto giro principal de basculante	Allen	10 mm	20 N.m
24	Pinch bolt vaina izquierda punto de giro principal	Allen	4 mm	6 N.m
25	Tornillos guía cables Cable Pass	Allen	2 mm	2 N.m
26	Eje de rueda trasero	Allen	6 mm	10 N.m
27	Tornillo precarga dirección potencias MC	Allen	4 mm	8 N.m
28	Tornillos amarre a horquilla potencias MC	Allen	4 mm	6 N.m
29	Tornillos faceplate potencias MC10/MC20	Allen	4 mm	6 N.m
	Tornillos faceplate potencia MC11	Allen	4 mm	5 N.m
30	Tornillo fijación display-pletina potencia MC11	Allen	2.5 mm	0.6 N.m
31	Tornillo adaptador GPS soporte CM-05	Allen	2 mm	2 N.m

# 24 RECAMBIOS RISE HYDRO 2025

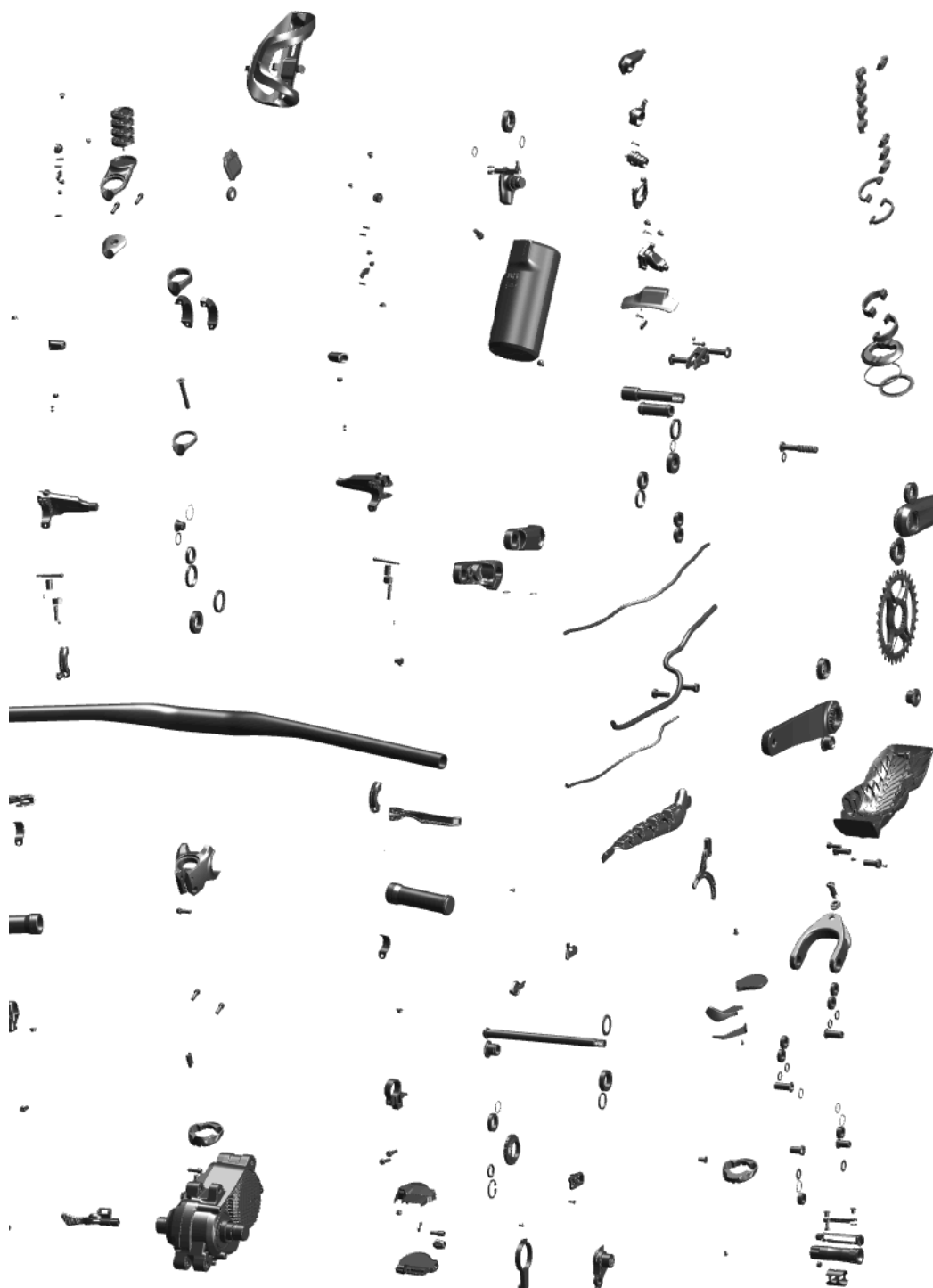
Accede al catálogo completo de recambios Orbea en nuestra web:

[www.orbea.com/es-es/equipamiento/recambios/](http://www.orbea.com/es-es/equipamiento/recambios/)

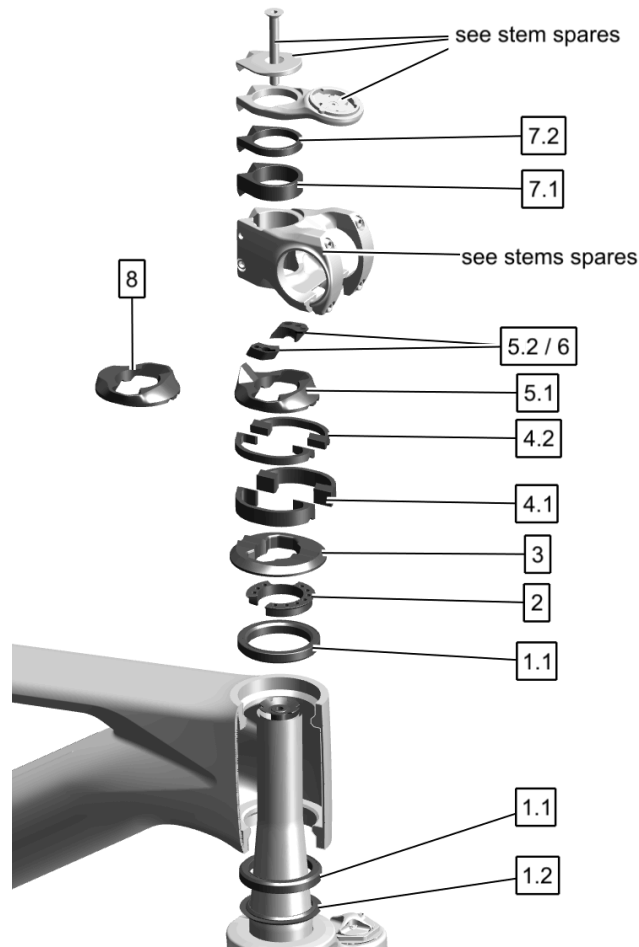
O accede directamente a todos los recambios de Rise Hydro:

[Recambios Rise Hydro LT 2025](#)

[Recambios Rise Hydro SL 2025](#)








**DIRECCIÓN**



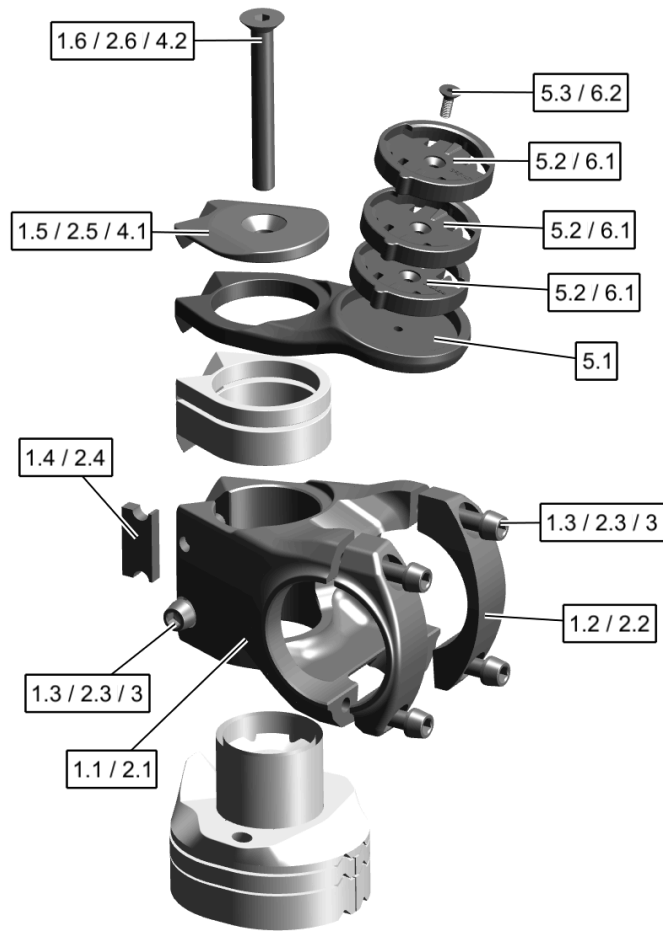
Pincha en el número de artículo para comprar online

<b>1. RODAMIENTOS DE DIRECCIÓN HS02 + RACE</b>		<b>ART N°: XC50</b>
		<b>QTY</b>
	1.1. Pista de rodamiento horquilla 1.5 45°	1
	1.2. Rodamiento dirección 1.5 (52x40x7mm. 45°/45°)	2
<b>2. ANILLO COMPRESION ALU 1-1/8 HS02-01</b>		<b>ART N°: XC51</b>
		<b>QTY</b>
	2 Anillo compresión aluminio 1-1/8 HS02-01	1
<b>3. TAPA DE DIRECCIÓN HS02-14. REGULAR STACK</b>		<b>ART N°: XC89</b>
		<b>QTY</b>
	3 Tapa de dirección HS02-14	1









<b>4. KIT SEPARADORES DE DIRECCIÓN SPLIT HS02 ALU</b>		<b>ART N°: XC55</b>
		<b>QTY</b>
	<b>4.1</b> Separador dirección Split 10mm HS02-04	2
	<b>4.2</b> Separador dirección Split 5mm HS02-03	2
<b>5. COLECTOR SIC SPB HS02-05. REGULAR STACK</b>		<b>ART N°: XC56</b>
		<b>QTY</b>
	<b>5.1</b> Colector SIC HS02-05. Regular Stack.	1
	<b>5.2</b> Kit gomas SIC colector HS02 (L1, L2, L3, R1, R2, R2e, R3)	1
<b>6. KIT GOMAS SIC COLLECTOR HS02</b>		<b>ART N°: XC57</b>
		<b>QTY</b>
	<b>6.1</b> Goma SIC L1 HS02-42. 4mm+4mm blind	1
	<b>6.2</b> Goma SIC L2 HS02-43. 4mm+4mm	1
	<b>6.3</b> Goma SIC L3 HS02-44. 4mm+4mm+3mm	1
	<b>6.4</b> Goma SIC R1 HS02-45. 5mm	1
	<b>6.5</b> Goma SIC R2 HS02-46. 4mm+5mm	1
	<b>6.6</b> Goma SIC R2e HS02-47. 3mm+5mm	1
	<b>6.7</b> Goma SIC R3 HS02-48. 4mm+3mm+3mm	1
<b>7. KIT SEPARADORES DIRECCIÓN HS02. REDONDOS</b>		<b>ART N°: XC58</b>
		<b>QTY</b>
	<b>7.1</b> Separador dirección HS02-8 (10 mm)	2
	<b>7.2</b> Separador dirección HS02-7 (5 mm)	2
<b>8. COLECTOR SIC NO-SPB HS02-06. UNIVERSAL</b>		<b>ART N°: XC60</b>
Para uso de potencias estándar no OC MC HS02 en dirección HS02		<b>QTY</b>
	<b>8.1</b> Colector SIC Universal HS02-06. Regular Stack.	1
	<b>8.2</b> Kit gomas SIC colector HS02 (L1, L2, L3, R1, R2, R2e, R3)	1

## POTENCIAS OC MC10 / MC20



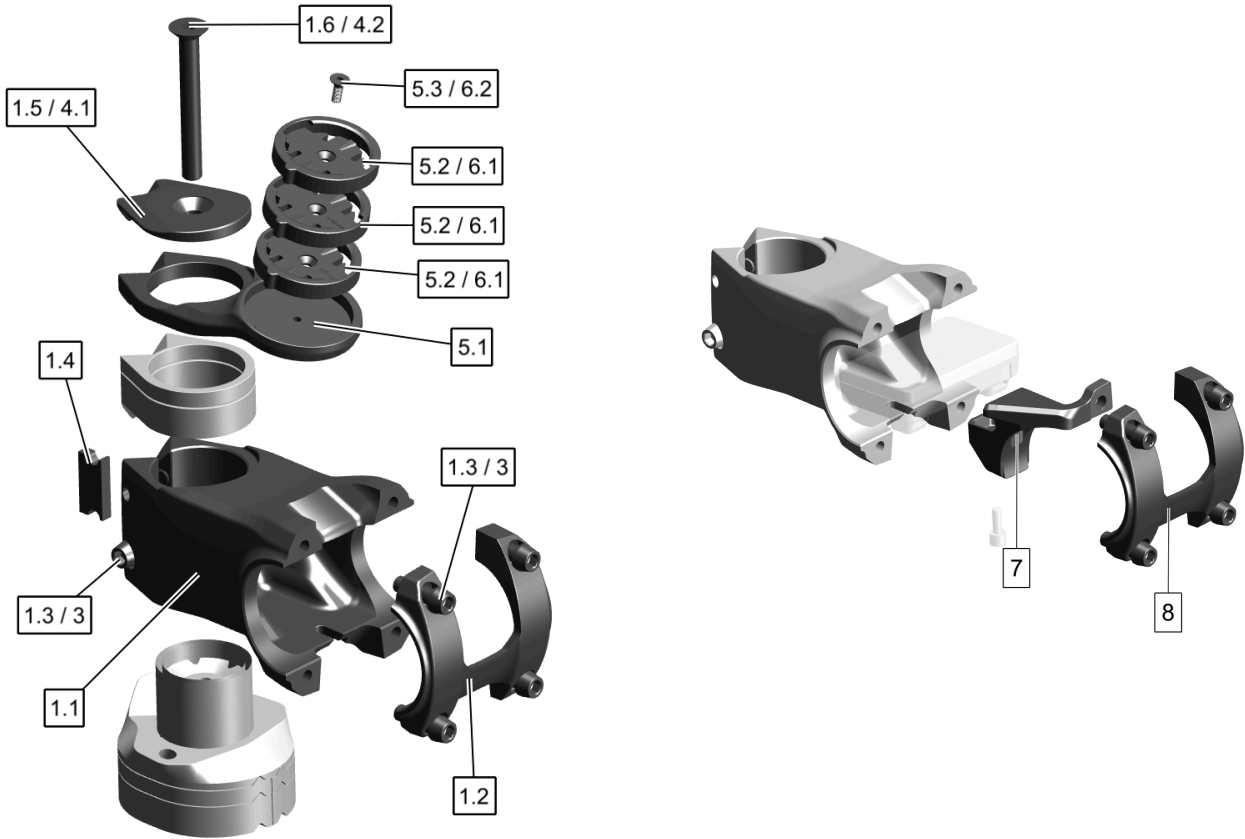
Pincha en el número de artículo para comprar online

1. POTENCIA OC ST-MC10		ART N°: C025
		QTY
	1.1. Potencia OC ST-MC10 (35mm - 40mm - 50mm)	1
	1.2. Faceplate potencia OC ST-MC10	1
	1.3. Tornillo M5x15 R8 Tapered. CrMo	6
	1.4. Steerer clamp limit ST-MC10-11. 20mm x 3,75mm	1
	1.5. Tapa superior HS02-31. ST-MC10/20	1
	1.6. Tornillo M6x50 DIN 7991	1
2. POTENCIA OC ST-MC20		ART N°: C026
		QTY
	2.1. Potencia OC ST-MC20 (35mm - 40mm - 50mm)	1
	2.2. Faceplate potencia OC ST-MC20	1
	2.3. Tornillo M5x15 R8 Tapered. CrMo	6
	2.4. Steerer clamp limit ST-MC10-11. 20mm x 3,75mm	1
	2.5. Tapa superior HS02-31. ST-MC10/20	1
	2.6. Tornillo M6x50 DIN 7991	1



<b>3. KIT TORNILLERÍA POTENCIAS OC</b>		<b>ART Nº: XC78</b>
Compatibles con todas las potencias OC excepto ST-RP21		<b>QTY</b>
	<b>3</b> Tornillo M5x15 R8 Tapered. CrMo	6
<b>4. TAPA SUPERIOR ST-MC10/20. HS02-31</b>		<b>ART Nº: XC79</b>
		<b>QTY</b>
	<b>4.1</b> Tapa superior HS02-31. ST-MC10/20	1
	<b>4.2</b> Tornillo M6x50 DIN 7991	1
<b>5. SOPORTE COMPUTADOR OC CM-05</b>		<b>ART Nº: C052</b>
Para potencias OC ST-MC (Mountain Control)		<b>QTY</b>
	<b>5.1</b> Cuerpo soporte ciclocomputador OC CM-05	1
	<b>5.2</b> Kit adaptadores Garmin/Sigma, Wahoo, Bryton CT-02	3
	<b>5.3</b> Tornillo M3x8 DIN7991	1
<b>6. KIT GOMAS SIC COLLECTOR HS02</b>		<b>ART Nº: C054</b>
		<b>QTY</b>
	<b>6.1</b> Kit adaptadores Garmin/Sigma, Wahoo, Bryton CT-02	3
	<b>6.2</b> Tornillo M3x8 DIN7991	1






## POTENCIA OC MC11

La potencia OC ST-MC11 no se ofrece en montajes de gama de Rise Hydro, pero es compatible con el modelo.

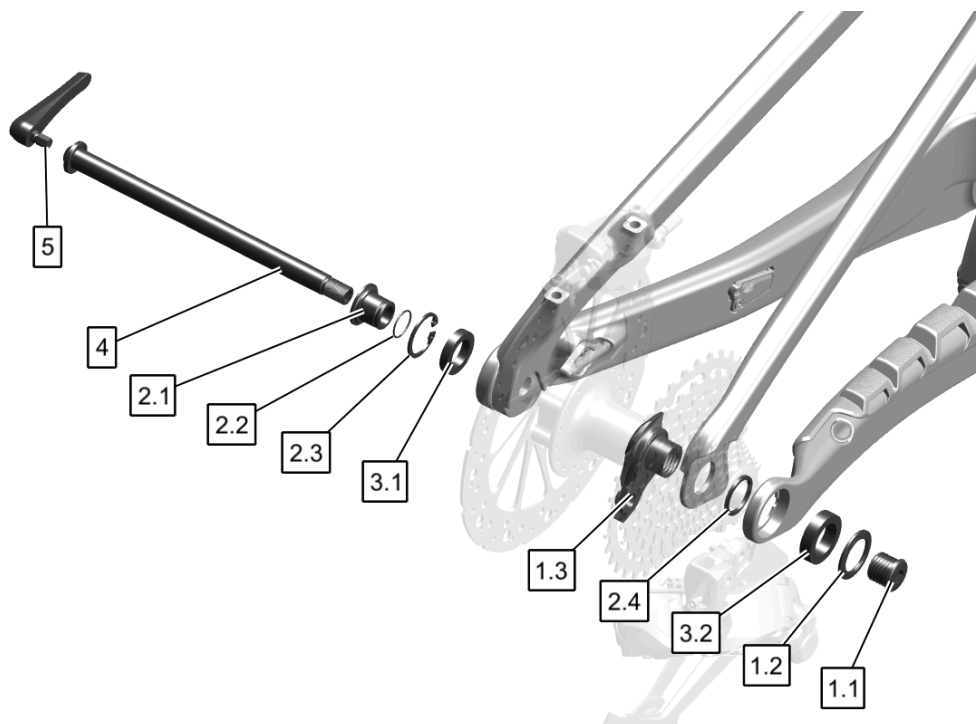


[Pincha en el número de artículo para comprar online](#)





<b>1. POTENCIA OC ST-MC11</b>		<b>ART N°: C074</b>
		<b>QTY</b>
	<b>1.1.</b> Potencia OC ST-MC11 (35mm - 40mm - 50mm, 60mm)	1
	<b>1.2.</b> Faceplate potencia OC ST-MC11 (no compatible con soporte display)	1
	<b>1.3</b> Tornillo M5x15 R8 Tapered. CrMo	6
	<b>1.4</b> Steerer clamp limit ST-MC10-11. 20mm x 3,75mm	1
	<b>1.5</b> Tapa superior HS02-31. ST-MC10/20	1
	<b>1.6</b> Tornillo M6x50 DIN 7991	1
<b>3. KIT TORNILLERÍA POTENCIAS OC</b>		<b>ART N°: XC78</b>
Compatibles con todas las potencias OC excepto ST-RP21		<b>QTY</b>
	<b>3</b> Tornillo M5x15 R8 Tapered. CrMo	6

<b>4. TAPA SUPERIOR ST-MC10/20. HS02-31</b>		<b>ART Nº: XC79</b>
		<b>QTY</b>
	<b>4.1</b> Tapa superior HS02-31. ST-MC10/20	1
	<b>4.2</b> Tornillo M6x50 DIN 7991	1
<b>5. SOPORTE COMPUTADOR OC CM-05</b>		<b>ART Nº: C052</b>
Para potencias OC ST-MC (Mountain Control)		<b>QTY</b>
	<b>5.1</b> Cuerpo soporte ciclocomputador OC CM-05	1
	<b>5.2</b> Kit adaptadores Garmin/Sigma, Wahoo, Bryton CT-02	3
	<b>5.3</b> Tornillo M3x8 DIN7991	1
<b>6. KIT GOMAS SIC COLLECTOR HS02</b>		<b>ART Nº: C054</b>
		<b>QTY</b>
	<b>6.1</b> Kit adaptadores Garmin/Sigma, Wahoo, Bryton CT-02	3
	<b>6.2</b> Tornillo M3x8 DIN7991	1
<b>7. SOPORTE DISPLAY SC-EN600 POTENCIA ST-MC11</b>		<b>ART Nº: XF83</b>
		<b>QTY</b>
	<b>7</b> Soporte display SC-EN600 potencia ST-MC11	1
<b>8. FACEPLATE ST-MC11 SC-EN600</b>		<b>ART Nº: XF84</b>
Para el montaje del soporte de display SC-EN600 (XF83)		<b>QTY</b>
	<b>8</b> Faceplate ST-MC11 SC-EN600	1

## EJE TRASERO

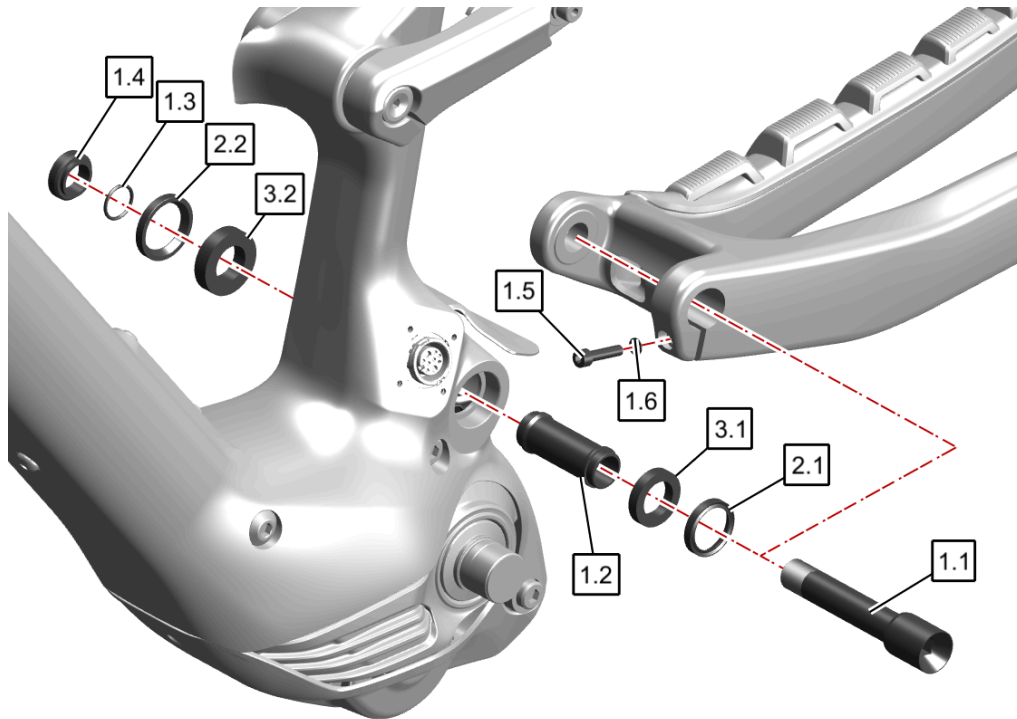


Pincha en el número de artículo para comprar online

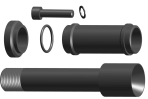


<b>1. PATA DE CAMBIO SRAM UDH X12. FS OPTION</b>		<b>ART Nº: X004</b>
		<b>QTY</b>
	<b>1.1.</b> Tornillo pata Sram UDH	1
	<b>1.2.</b> Arandela pata Sram UDH. FS option	1
	<b>1.3</b> Pata de cambio Sram UDH X12	1
<b>2. KIT HARDWARE EJE TRASERO</b>		<b>ART Nº: XA50</b>
		<b>QTY</b>
	<b>2.1</b> Inserto base-tirante Occam 24	1
	<b>2.2</b> Junta tórica 15x1	1
	<b>2.3</b> Anillo SB 26	1
	<b>2.4</b> Separador UDH	1
<b>3. KIT RODAMIENTOS EJE TRASERO</b>		<b>ART Nº: XA16</b>
		<b>QTY</b>
	<b>3.1</b> Rodamiento Enduro Max 20307	1
	<b>3.2</b> Rodamiento Enduro Max 6803	1
<b>4. EJE RUEDA 12x184 (1.0X15) HUECO</b>		<b>ART Nº: XA38</b>
		<b>QTY</b>
	<b>4</b> Eje pasante rueda 12x171mm (rosca 1.0x13mm). Hueco	1

5. LEVA EJE TRASERO			ART N°: XD83
			QTY
	5	Leva eje trasero Allen 6mm	1

## PUNTO DE GIRO PRINCIPAL DEL BASCULANTE

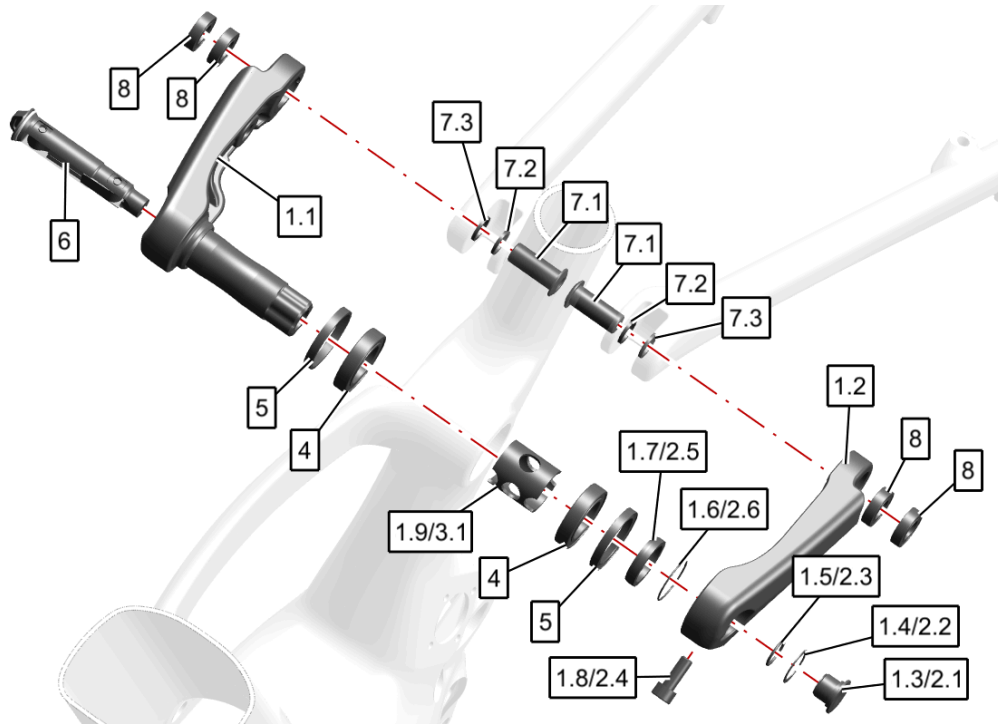


Pincha en el número de artículo para comprar online



<b>1. KIT HARDWARE PUNTO DE GIRO PRINCIPAL RISE 25</b>		<b>ART N°: XF86</b>
		<b>QTY</b>
	1.1. Eje punto de giro principal Rise 25	1
	1.2. Separador rodamientos punto de giro Rise 25	1
	1.3. Junta tórica 14x1.5mm	1
	1.4. Casquillo interno main pivot	1
	1.5. Tornillo inox M5x20 DIN912	1
	1.6. Arandela 5x8x0,5	1
<b>2. KIT RETENES PUNTO DE GIRO PRINCIPAL</b>		<b>ART N°: XA20</b>
		<b>QTY</b>
	2.1 Retén Enduro SE 20x26x4VG	1
	2.2 Retén Enduro SE 20x26x4VG	1
<b>3. KIT RODAMIENTOS PUNTO DE GIRO PRINCIPAL</b>		<b>ART N°: XA19</b>
		<b>QTY</b>
	3.1 Rodamiento Enduro Max 6803 17x26x5	1
	3.2 Rodamiento Enduro Max 6803 17x26x5	1





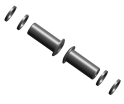



## BIELETA

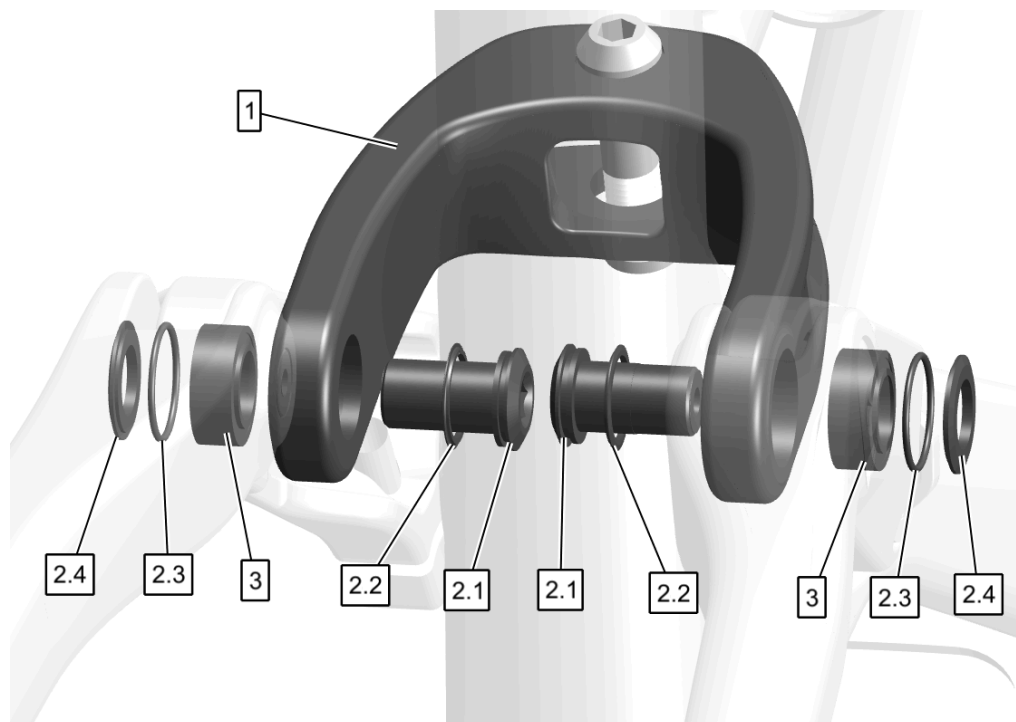


Pincha en el número de artículo para comprar online




<b>1. BIELETA RISE 25</b>		<b>ART N°: XF87</b>
No incluye rodamientos		<b>QTY</b>
	<b>1.1</b> Bieleta derecha+eje Rise 2025	1
	<b>1.2</b> Bieleta derecha Rise 2025	1
	<b>1.3</b> Tornillo precarga bieleta c/imán	1
	<b>1.4</b> Arandela 14.5x18x0.5 inox	1
	<b>1.5</b> Junta tórica 12x1mm	1
	<b>1.6</b> Junta tórica (incluida en 1.7)	1
	<b>1.7</b> Casquillo separador link	1
	<b>1.8</b> Tornillo M6x16mm DIN 912 inox	1
	<b>1.9</b> Separador rodamientos FT Rise 25	1
<b>2. KIT HARDWARE BIELETA</b>		<b>ART N°: XC52</b>
	<b>2.1</b> Tornillo precarga bieleta c/imán	1
	<b>2.2</b> Arandela 14.5x18x0.5 inox	1
	<b>2.3</b> Junta tórica 12x1mm	1
	<b>2.4</b> Tornillo M6x16mm DIN 912 inox	1
	<b>2.5</b> Casquillo separador link	1
	<b>2.6</b> Junta tórica (incluida en 2.5)	1

<b>3. SEPARADOR RODAMIENTOS FT</b>		<b>ART N°: XG15</b>
		<b>QTY</b>
	<b>3.1</b> Separador rodamientos FT Rise 2025	1
<b>4. KIT RODAMIENTOS PUNTO DE GIRO BIELETA-CUADRO</b>		<b>ART N°: XA25</b>
		<b>QTY</b>
	<b>4</b> Rodamientos Enduro Max 6804 20x32x7	2
<b>5. KIT RETENES BIELETA-CUADRO</b>		<b>ART N°: XA26</b>
		<b>QTY</b>
	<b>5</b> Retén Enduro SE 25x32x4VG	2
<b>6. OC FLP Multitool MT-20, Hex 2, 3, 4, 5</b>		<b>ART N°: XA14</b>
		<b>QTY</b>
	<b>6</b> OC FLP Multitool MT-20, Hex 2, 3, 4, 5	1
<b>7. KIT HARDWARE BIELETA-TIRANTES RISE H 25</b>		<b>ART N°: XG10</b>
Posicionar el separador pequeño en el exterior y el grande en el interior de la bieleta.		<b>QTY</b>
	<b>7.1</b> Eje bieleta tirante Rise 25	2
	<b>7.2</b> Espaciador interno.	2
	<b>7.3</b> Arandela 10x13x1.5mm AL6082	2
<b>8. KIT RODAMIENTOS BIELETA-TIRANTES</b>		<b>ART N°: XA24</b>
		<b>QTY</b>
	<b>8</b> Rodamiento Enduro Max 6800 10x19x5	4

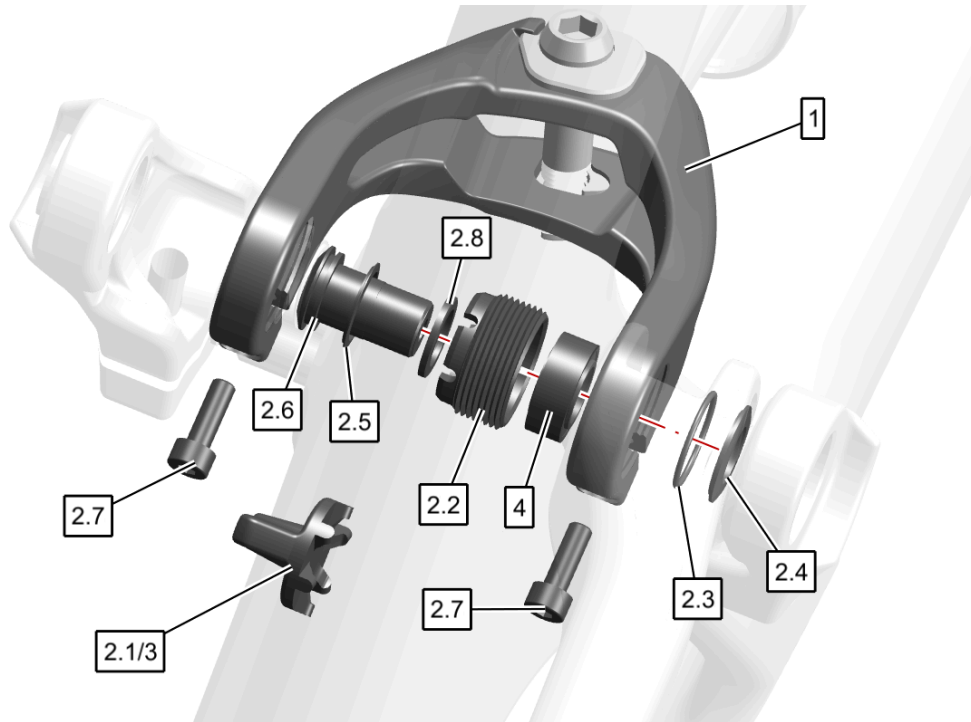
## PROLONGADOR AMORTIGUADOR SL



Pincha en el número de artículo para comprar online


<b>1. PROLONGADOR RISE H SL 25</b>		<b>ART N°: XG14</b>
No incluye rodamientos		<b>QTY</b>
	<b>1</b> Prolongador de aluminio Rise H SL	<b>1</b>
<b>2. KIT HARDWARE PROLONGADOR SL-BIELETA</b>		<b>ART N°: XC83</b>
		<b>QTY</b>
	<b>2.1</b> Eje link-prolongador	<b>2</b>
	<b>2.2</b> Anillo eje link prolongador 15x12x0,9	<b>2</b>
	<b>2.3</b> Junta tórica 15x1mm	<b>2</b>
	<b>2.4</b> Separador prolongador-link	<b>2</b>
<b>3. KIT RODAMIENTOS PROLONGADOR</b>		<b>ART N°: X983</b>
		<b>QTY</b>
	<b>3</b> Rodamientos: Enduro Double Raw Max 10177 10x17x6/7	<b>1</b>

## PROLONGADOR AMORTIGUADOR LT




Pincha en el número de artículo para comprar online

<b>1. PROLONGADOR RISE LT 25</b>		<b>ART N°: XF89</b>	
No incluye rodamientos		<b>QTY</b>	
	1	Prolongador Alu Rise LT 25	1
<b>2. KIT HARDWARE PROLONGADOR-BIELETA LT</b>		<b>ART N°: XC85</b>	
		<b>QTY</b>	
	2.1	Herramienta cuña rodamientos prolongador LT	1
	2.2	Cuña rodamientos prolongador LT	2
	2.3	Junta tórica 15x1mm	2
	2.4	Separador prolongador-link	2
	2.5	Anillo eje link-prolongador 15x12x0,9	2
	2.6	Eje link prolongador	2
	2.7	Tornillo M4x12 DIN912	2
	2.8	Axle seat washer	2

<b>3. HERRAMIENTA CUÑA PROLONGADOR LT</b>		<b>ART Nº: XD53</b>
		<b>QTY</b>
	<b>3</b> Herramienta precarga cuña-rodamientos yoke LT	<b>1</b>

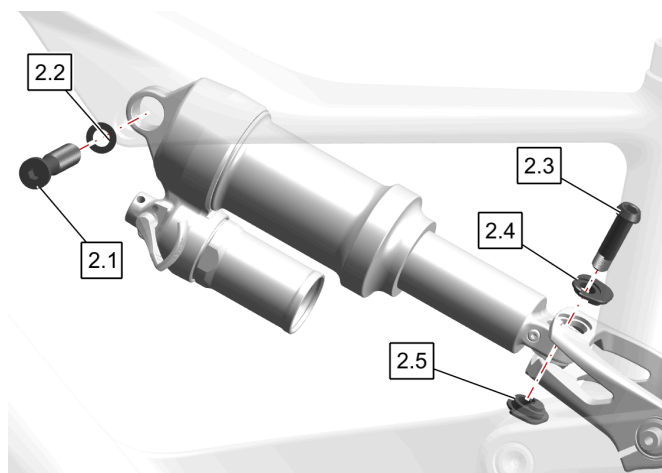
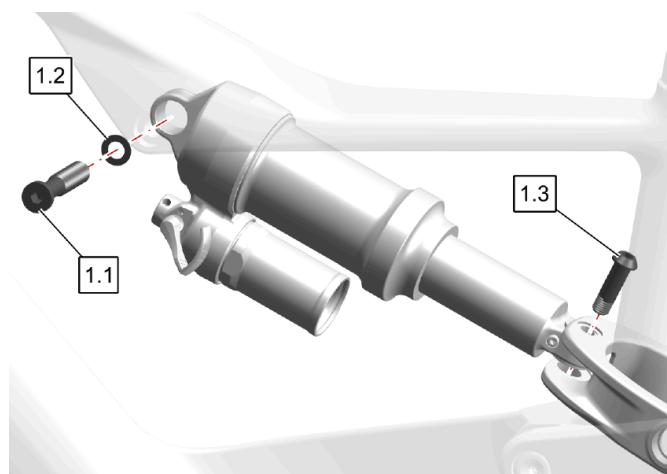
  

<b>4. KIT RODAMIENTOS PROLONGADOR</b>		<b>ART Nº: 983</b>
		<b>QTY</b>
	<b>4</b> Rodamientos: Enduro Double Raw Max 10177 10x17x6/7	<b>2</b>

## FIJACIÓN AMORTIGUADOR

RISE H SL

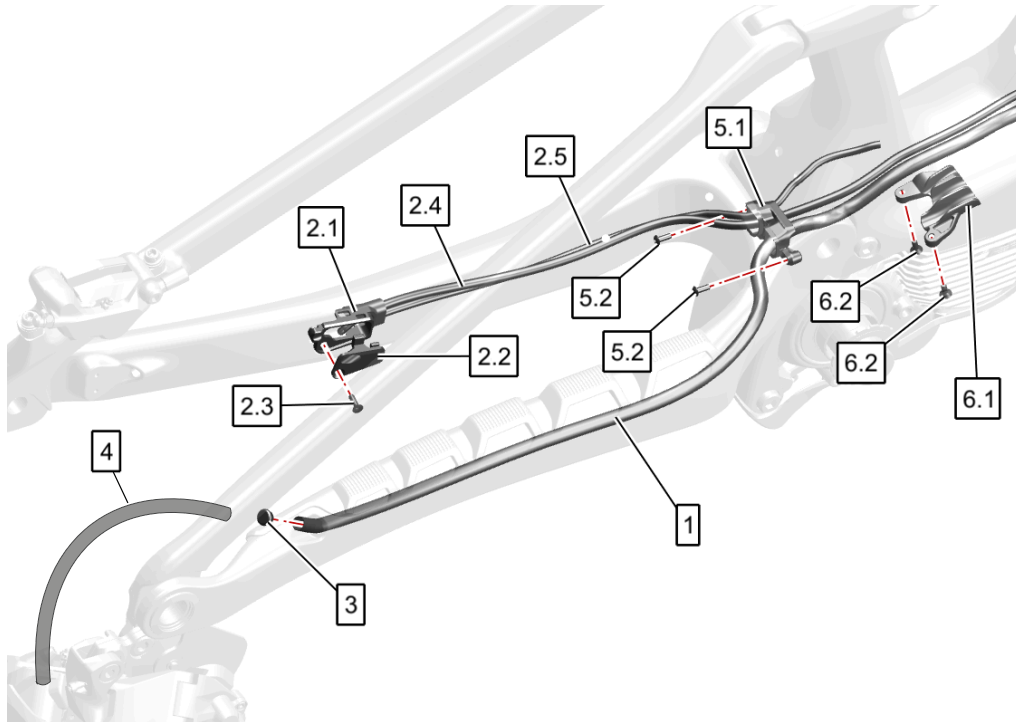
RISE H LT







Pincha en el número de artículo para comprar online


1. KIT AMARRE AMORTIGUADOR HYDRO SL		ART N°: XD89
		QTY
	1.1. Tornillo. aluminio amortiguador-cuadro	1
	1.2. Arandela 8x14x0,5	1
	1.3. Tornillo prolongador-amortiguador SL	1
2. KIT AMARRE AMORTIGUADOR HYDRO LT		ART N°: XD76
		QTY
	2.1. Tornillo. aluminio amortiguador-cuadro	1
	2.2. Arandela 8x14x0,5	1
	2.3. Tornillo prolongador-amortiguador LT	1
	2.4. Pastilla superior Quick Flip Prolongador LT	1
	2.5. Pastilla inferior Quick Flip Prolongador LT	1

## CABLEADO




Pincha en el número de artículo para comprar online

<b>1. TUBO CABLE PASS DERECHA</b>		<b>ART Nº: XC75</b>
		<b>QTY</b>
	<b>1</b> Tubo Cable Pass vaina derecha	<b>1</b>
<b>2. KIT CABLE PASS IZQDA RISE 25</b>		<b>ART Nº: XF97</b>
		<b>QTY</b>
	<b>2.1</b> Cuerpo guía cables Cable Pass vaina izquierda	<b>1</b>
	<b>2.2</b> Tapa guía cables Cable Pass vaina izquierda	<b>1</b>
	<b>2.3</b> Tornillo tapa guía cables Cable Pass vaina izquierda	<b>1</b>
	<b>2.4</b> Tubo Cable Pass sensor velocidad	<b>1</b>
	<b>2.5</b> Tubo Cable Pass freno trasero	<b>1</b>
<b>3. TAPÓN CIEGO CAMBIO TRASERO AXS</b>		<b>ART Nº: X522</b>
		<b>QTY</b>
	<b>3</b> Tapón ciego 6mm cambio trasero Sram AXS	<b>1</b>
<b>4. TUBO PROTECTOR CABLE CAMBIO DI2</b>		<b>ART Nº: X989</b>
		<b>QTY</b>
	<b>4</b> Tubo protector cable cambio Di2	<b>2</b>

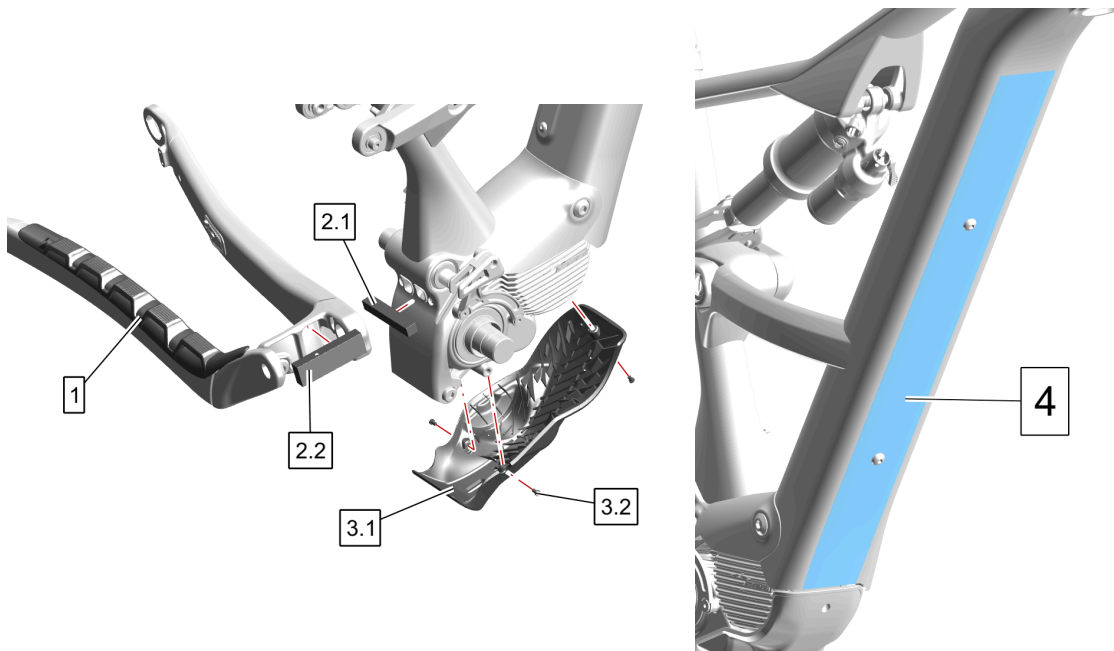
<b>5. GUÍA CABLES CABLE PASS FT-BASCULANTE</b>			<b>ART Nº: XF95</b>
			<b>QTY</b>
	<b>5.1</b>	Guía cables FT-basculante	1
	<b>5.2</b>	Tornillo inox M3x8mm ISO7380	2





<b>6. GUÍA CABLES VANO MOTOR</b>			<b>ART Nº: XF96</b>
			<b>QTY</b>
	<b>6.1</b>	Guía cables vano motor	1
	<b>6.2</b>	Tornillo inox M3x10 DIN7991	2



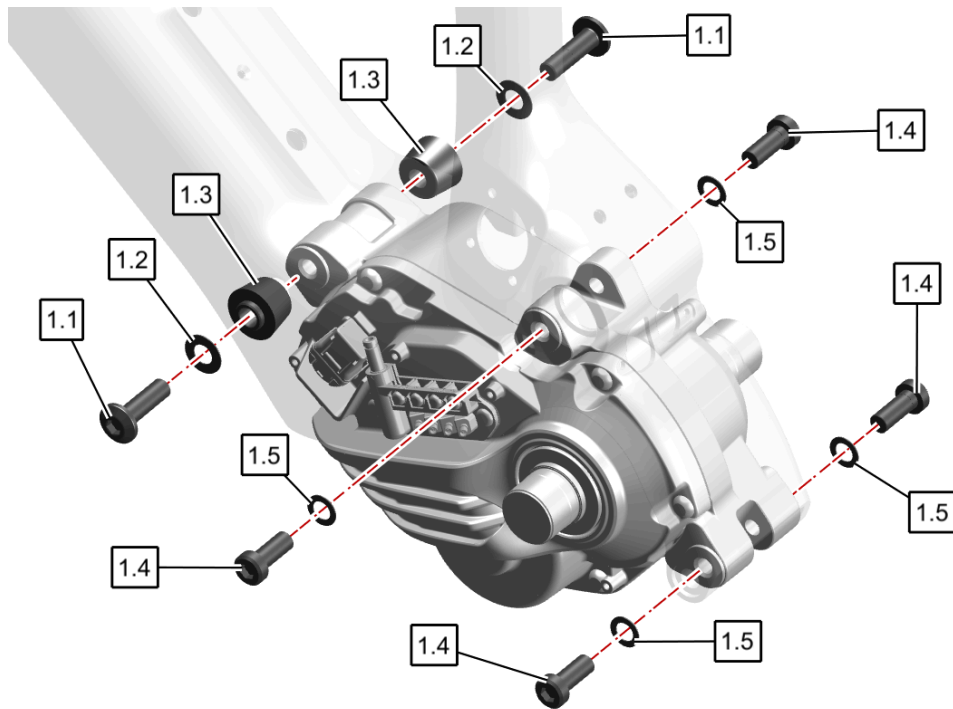
## PROTECTORES




Pincha en el número de artículo para comprar online

<b>1. PROTECTOR GOMA VAINA DERECHA RISE H 25</b>		<b>ART N°: XG11</b>
		<b>QTY</b>
	<b>1</b> Protector adhesivo goma vaina derecha Rise H 25	<b>1</b>
<b>2. PROTECTOR ESPUMA BASCULANTE-FT</b>		<b>ART N°: XG12</b>
		<b>QTY</b>
	<b>2.1</b> Protector adhesivo foam inferior FT	<b>1</b>
	<b>2.2</b> Protector adhesivo foam superior basculante	<b>1</b>
<b>3. PROTECTOR MOTOR EP801/EP6 RISE 25</b>		<b>ART N°: XF93</b>
		<b>QTY</b>
	<b>3.1</b> Protector motor EP801/EP6 Rise 2025	<b>1</b>
	<b>3.2</b> Tornillo protector motor	<b>3</b>
<b>4. PROTECTOR TRANSPARENTE DT</b>		<b>ART N°: XG13</b>
		<b>QTY</b>
	<b>4</b> Protector adhesivo transparente tubo diagonal	<b>1</b>

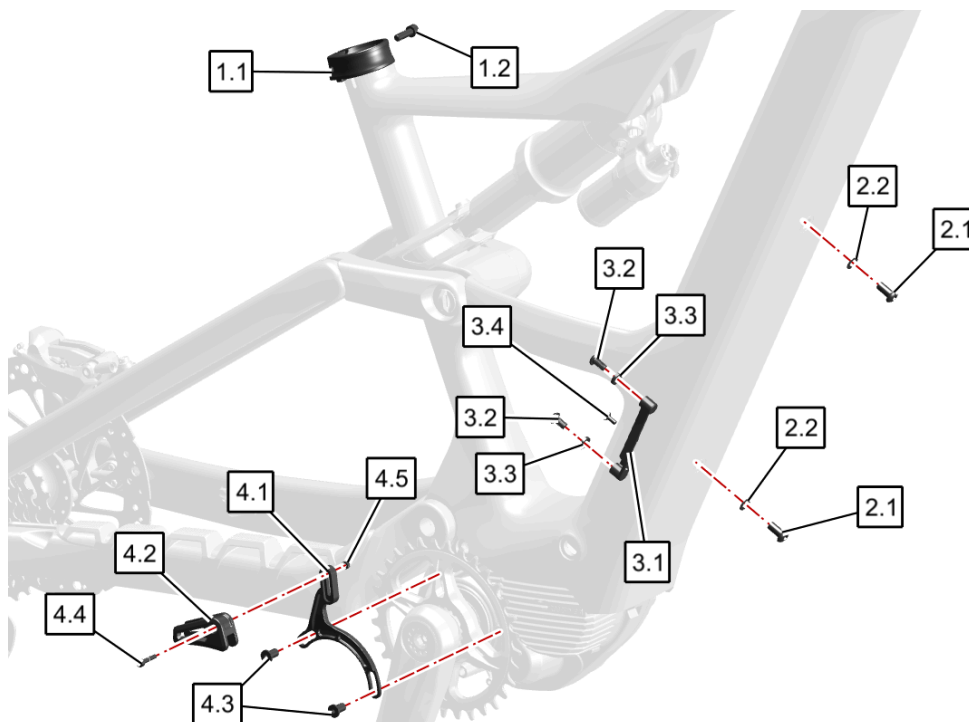
## FIJACIÓN MOTOR







Pincha en el número de artículo para comprar online


1. KIT FIJACIÓN MOTOR RISE 2025		ART Nº: XF99
		QTY
	1.1 Tornillo M8x27.6 C16.5	2
	1.2 Arandela 8.5x16.5x0.5 Inox	2
	1.3 Casquillo delantero motor 8x22x13.6	2
	1.4 Tornillo M8xP1.25	4
	1.5 Arandela 13mm	4

## OTRO HARDWARE DE CUADRO

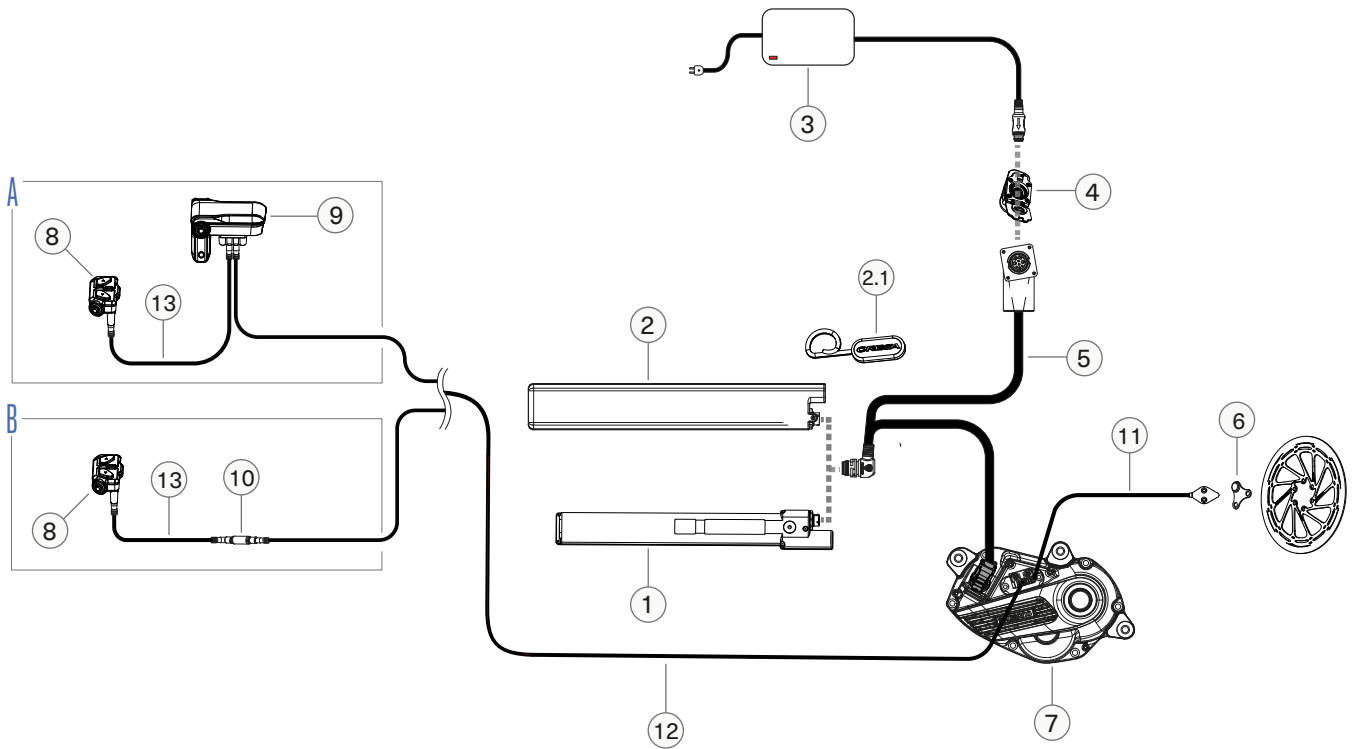


Pincha en el número de artículo para comprar online

<b>1. ABRAZADERA TIJA 34.9</b>		<b>ART Nº: X202</b>
		<b>QTY</b>
	1.1 Abrazadera de tija 34.9mm. Negra	1
	1.2 Tornillo abrazadera	1
<b>2. KIT FIJACIÓN BATERÍA INTERNA</b>		<b>ART Nº: XA88</b>
		<b>QTY</b>
	2.1 Tornillo batería M6x9mm	2
	2.2 Arandela 6x11x0.5mm	2
<b>3. KIT PLETINA INTERNA PORTA BIDÓN</b>		<b>ART Nº: XF98</b>
		<b>QTY</b>
	3.1 Pletina interna portabidón	1
	3.2 Tornillo M5x10mm	2
	3.3 Arandela 5.5x10x2 negro	2
	3.4 Tornillo M3x6mm DIN7991	1
<b>3.a. KIT TORNILLOS PORTA BIDÓN RISE</b>		<b>ART Nº: XA80</b>
		<b>QTY</b>
	3.a.1 Arandela 5.5x10x2 negro	4
	3.a.2 Tornillo M5x10mm	1

<b>4. KIT GUÍA CADENA RISE 25. CHAINLINE 55</b>			<b>ART Nº: XF90</b>
			<b>QTY</b>
	<b>4.1</b>	Soporte guía cadena Rise 25 chainline 55mm	1
	<b>4.2</b>	Cuerpo guía cadena	1
	<b>4.3</b>	Tornillos guía cadena a motor	2
	<b>4.4</b>	Tornillo M3x15 DIN912	1
	<b>4.5</b>	Tuerca M3 DIN934	1

## COMPONENTES DEL SISTEMA ELÉCTRICO


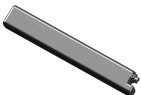










Pincha en el número de artículo para comprar online (artículos Orbea)

A. Con display Shimano SC-EN600

B. Sin display Shimano SC-EN600


### COMPONENTES ORBEA EBIKE SYSTEMS

1. BATERÍA ORBEA 420Wh GEN2		ART N°: XG03
Disponible a través de distribuidores Orbea		QTY
	1. Bateria Orbea 420Wh Gen2	1
2. BATERÍA ORBEA 630Wh GEN2		ART N°: XF39
Disponible a través de distribuidores Orbea		QTY
	1. Bateria Orbea 630Wh Gen2	1
2.1.TIRADOR DE BATERÍA ORBEA		ART N°: XF80
		QTY
	2.1. Tirador de batería Orbea	1


<b>3. CARGADOR ORBEA SMART CHARGER GEN2</b>		<b>ART N°: X977</b>
		<b>QTY</b>
	<b>3.</b> Cargador Orbea Smart Charger Gen2	1
<b>4. TAPA PUNTO DE CARGA RISE 25</b>		<b>ART N°: XG01</b>
Incluye tornillos de fijación		<b>QTY</b>
	<b>4..</b> Tapa punto de carga Rise 25	1
<b>5. CABLE HARNESS GEN2 RISE 25</b>		<b>ART N°: XG02</b>
		<b>QTY</b>
	<b>5..</b> Cable harness batería-motor-punto de carga Gen 2 Rise 25	1
<b>6. IMÁN SENSOR DE VELOCIDAD 6-BOLT</b>		<b>ART N°: X240</b>
		<b>QTY</b>
	<b>6..</b> Imán sensor de velocidad disco 6-bolt	1
<b>COMPONENTES SHIMANO</b> (disponibles a través de distribuidor Shimano)		
<b>7. MOTOR EP801/EP6</b>		<b>DU-EP801 / DU-EP6</b>
		<b>QTY</b>
	<b>7.</b> Motor Shimano EP801/EP6	1
<b>8. MANDO REMOTO SW-EN600-L</b>		<b>SW-EN600-L</b>
		<b>QTY</b>
	<b>8.</b> Mando remoto SW-EN600-L	1
<b>9. DISPLAY SC-EN600</b>		<b>SC-EN600</b>
		<b>QTY</b>
	<b>9.</b> Display SC-EN600	1

<b>10. JUNCTION EW-JC302</b>		<b>EW-JC302</b>
		<b>QTY</b>
	<b>12.</b> Junction EW-JC302	1


  

<b>11. SENSOR VELOCIDAD EW-SS301</b>		<b>EW-SS301</b>
Incluye tornillos de fijación		<b>QTY</b>
	<b>14.</b> Sensor velocidad EW-SS301	1

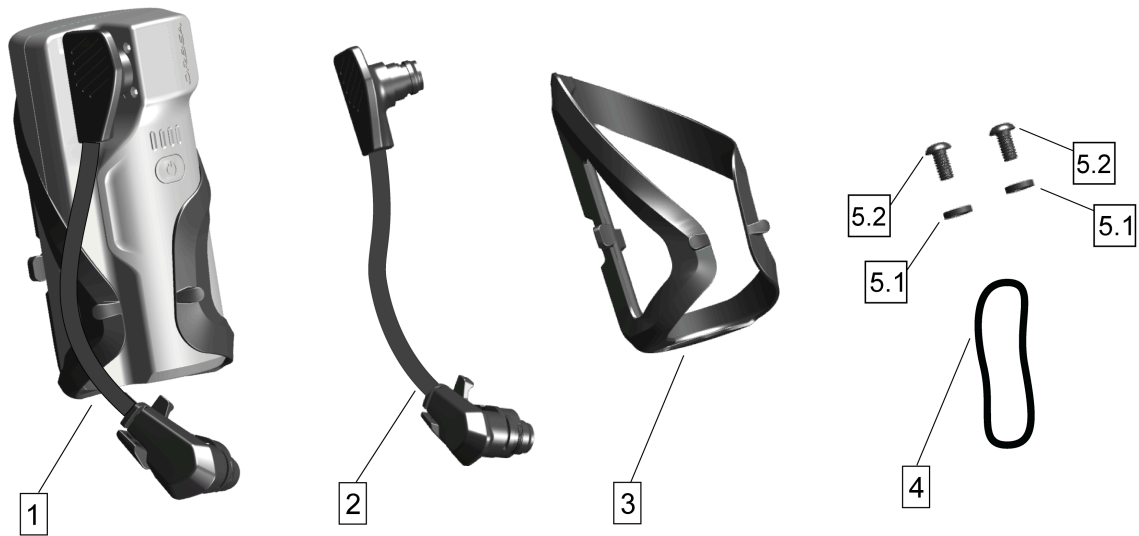
  

<b>12. CABLE EW-SD300 1200mm</b>		<b>EW-SD300 700</b>
		<b>QTY</b>
	<b>15.</b> Cable EW-SD300 1200mm	1






  

<b>13. CABLE EW-SD300 700mm</b>		<b>EW-SD300 700</b>
		<b>QTY</b>
	<b>16.</b> Cable EW-SD300 1200mm	1

## RANGE EXTENDER RS 210WH GEN2



Pincha en el número de artículo para comprar online

<b>1. RANGE EXTENDER RS 210 Wh GEN2</b>		<b>ART Nº: N/A</b>
Incluye cable de conexión 120mm, soporte porta bidón y goma de seguridad		<b>QTY</b>
	<b>1</b> Range Extender RS 210 completo	<b>1</b>
<b>2. CABLE CONEXIÓN RANGE EXTENDER RS 210Wh 120mm</b>		<b>ART Nº: XG04</b>
		<b>QTY</b>
	<b>2</b> Cable conexión Range Extender RS 210Wh Gen2 120mm	<b>1</b>
<b>3. SOPORTE RANGE EXTENDER RS 210Wh GEN</b>		<b>ART Nº: XG05</b>
		<b>QTY</b>
	<b>3</b> Soporte porta biodón Range Extender RS 210Wh Gen2	<b>1</b>
<b>4. KIT GOMAS SEGURIDAD RANGE EXTENDER RS 210Wh</b>		<b>ART Nº: XG06</b>
		<b>QTY</b>
	<b>4</b> Goma seguridad Range Extender	
<b>5. KIT TORNILLOS PORTA BIDÓN RISE</b>		<b>ART Nº: XA80</b>
		<b>QTY</b>
	<b>5.1</b> Arandela 5.5x10x2 Negro	<b>4</b>
	<b>5.2</b> Tornillo M5x10	<b>2</b>



# 25 INFORMACIÓN ADICIONAL

Encuentra más información de Orbea en redes

## FACEBOOK

[www.facebook.com/orbeabicycles](http://www.facebook.com/orbeabicycles)

## INSTAGRAM

[www.instagram.com/orbeabicycles](http://www.instagram.com/orbeabicycles)

## LINKEDIN

[www.linkedin.com/company/orbea-s-coop](http://www.linkedin.com/company/orbea-s-coop)

## YOUTUBE

[www.youtube.com/user/OrbeaBicycles](http://www.youtube.com/user/OrbeaBicycles)

## MANUALES

Descarga la última versión de este manual, así como del resto de productos Orbea y OC en:

[/www.orbea.com/es-es/soporte/manuales/](http://www.orbea.com/es-es/soporte/manuales/)

## CONTACTO

Si tienes cualquier consulta sobre nuestros productos, visita:

[/www.orbea.com/es-es/contacto/](http://www.orbea.com/es-es/contacto/)

## BLOG ORBEA

[www.orbea.com/blog](http://www.orbea.com/blog)

---

Orbea S. Coop. 2024  
Goitondo Kalea, 2, 48269 Mallabia, Bizkaia. Spain

T. 0034 943 17 19 50

Todos los derechos reservados. Queda prohibida la modificación de este documento. El contenido de este manual queda sujeto a cambios de especificaciones sin previo aviso.

Consulta la versión más reciente en: [www.orbea.com](http://www.orbea.com)

# INDICE

<b>01 À PROPOS DE CE MANUEL.....</b>	<b>254</b>
<b>02 LÉGENDE DES SYMBOLES .....</b>	<b>255</b>
<b>03 GARANTIE ORBEA.....</b>	<b>256</b>
Garantie légale .....	256
Garantie à vie Orbea .....	256
Enregistrement de votre vélo .....	256
Garantie des composants du système d'assistance au pédalage électrique .....	257
Composants Shimano steps.....	257
Composants exclusifs Orbea RS .....	257
Traitement des réclamations de garantie .....	257
<b>04 ENTRETIEN .....</b>	<b>258</b>
Nettoyage du vélo .....	258
Lubrification de la transmission.....	258
Inspection du vélo avant chaque sortie .....	258
Calendrier d'entretien .....	259
Pièces de rechange .....	260
Après une chute ou un choc .....	261
<b>05 AVERTISSEMENTS CONCERNANT L'UTILISATION DU RISE .....</b>	<b>262</b>
Largeur maximale des pneus.....	262
Insertion minimale de la tige de selle.....	262
Longueur de fourche maximale (hauteur de fourche).....	262
Nombre maximum d'entretoises de jeu de direction.....	262
Distance minimale entre la roue et la selle en compression maximale .....	263
Utilisation prévue .....	263
<b>06 AVERTISSEMENTS CONCERNANT L'UTILISATION DU SYSTÈME D'ASSISTANCE ÉLECTRIQUE .....</b>	<b>264</b>
Respectez toujours les recommandations d'utilisation des composants électriques et des batteries.....	264
Plus d'informations sur les batteries Li-ion du système Orbea Ebike .....	265
Autonomie.....	267
Transport des batteries des vélos à assistance électrique.....	267
Transport des vélos à assistance électrique.....	267
<b>07 CARACTÉRISTIQUES TECHNIQUES .....</b>	<b>268</b>
Géométrie .....	268
Ergonomie.....	269
Hauteur de selle minimale et maximale avec une tige de selle télescopique .....	269
Caractéristiques techniques du cadre .....	271

Caractéristiques techniques Shimano Ep801 et Ep600 .....	274
Caractéristiques techniques du système E-bike Orbea 2e gén. ....	276
<b>08 UTILISATION DU RISE .....</b>	<b>279</b>
Charge de la batterie interne .....	279
Batteries internes Orbea RS 630 Wh 2e gén. et 420 Wh 2e gén. ....	279
Batterie externe Range Extender 210 Wh 2e gén. ....	280
Mise sous tension/hors tension du Rise .....	280
Affichage du niveau de charge de la batterie .....	280
Télécommande SW-EN600-L .....	280
Écran SC-EN600 .....	280
Dispositifs Garmin compatibles. Orbea RS Toolbox .....	281
Batteries Orbea RS 2e génération .....	281
Modification du niveau d'assistance .....	281
Profils d'assistance. RS/RS+ .....	282
Sélection des profils d'assistance .....	282
Personnalisation des niveaux d'assistance .....	283
Avertissements/erreurs concernant l'utilisation du système d'assistance électrique .....	284
Manipulation de l'écran à l'aide de l'unité de contacteur SW-EN600-L .....	285
Branchements de l'éclairage sur le Rise .....	285
Appli E-TUBE RIDE .....	285
Orbea RS Toolbox. Champ de données pour les dispositifs Garmin .....	286
Réglage de la suspension .....	286
Réglage de la fourche télescopique .....	286
Réglage des amortisseurs .....	291
<b>09 JEU DE DIRECTION HS02 .....</b>	<b>296</b>
Éléments du jeu de direction HS02 sur le Rise Hydro .....	296
Caractéristiques du jeu de direction HS02 sur le Rise .....	297
Acheminement du câble dans le jeu de direction HS02 du Rise .....	297
Fixation du jeu de direction HS02 .....	298
Ajout et retrait des entretoises de jeu de direction .....	300
<b>10 POTENCES .....</b>	<b>302</b>
Potences OC ST-MC10 / ST-MC20 Éléments .....	302
Potence OC ST-MC11. Éléments .....	303
Potences OC MC10/MC11/MC20. Caractéristiques techniques .....	303
OC ST-MC10, ST-MC20 et ST-MC11. Pâtes d'assemblage et couples de serrage .....	304
Fixation des potences OC Mountain Control .....	305
<b>11 FIXATION GPS OC CM-05 .....</b>	<b>307</b>
<b>12 GUIDON .....</b>	<b>308</b>
Caractéristiques techniques du guidon OC .....	308
<b>13 AXES DE ROUE ET PATTE DE DÉRAILLEUR .....</b>	<b>309</b>
Pâtes d'assemblage et couples de serrage .....	309

<b>14 POINT PIVOT PRINCIPAL DU BRAS OSCILLANT .....</b>	<b>310</b>
Pâtes d'assemblage et couples de serrage .....	310
Procédure d'installation .....	311
<b>15 ZONE DE BIELLETTE ET D'AMORTISSEUR .....</b>	<b>311</b>
Éléments .....	312
Pâtes d'assemblage et couples de serrage .....	312
Point pivot cadre-biellette Pâtes d'assemblage et couples de serrage .....	312
Point pivot hauban-biellette Pâtes d'assemblage et couples de serrage .....	313
Rallonge SL. Pâtes d'assemblage et couples de serrage .....	313
Rallonge LT. Pâtes d'assemblage et couples de serrage .....	314
Fixation de l'amortisseur SL .....	316
Fixation de l'amortisseur LT .....	316
Attitude Adjust Modification de la géométrie sur les modèles LT .....	316
<b>16 POSE DU COLLIER DE TIGE DE SELLE .....</b>	<b>318</b>
<b>17 GUIDE-CHAÎNE .....</b>	<b>319</b>
<b>18 LOCKR. RANGEMENT DES OUTILS DANS LE CADRE .....</b>	<b>319</b>
Multi-outil OC FLP MT-20 et came d'essieu arrière .....	319
<b>19 PLAQUE DE PORTE-BIDON .....</b>	<b>320</b>
<b>20 PROTECTIONS .....</b>	<b>321</b>
Protection du moteur et de la base arrière .....	321
<b>21 CÂBLAGE .....</b>	<b>322</b>
Présentation du câblage de composants du cadre .....	322
Passe-câbles. Câblage entre le triangle principal et le bras oscillant .....	322
Pose des tubes de passe-câbles .....	323
Câblage du logement du moteur électrique .....	325
Câblage dans la potence et le guidon des composants Shimano .....	325
<b>22 COMPOSANTS DU SYSTÈME D'ASSISTANCE AU PÉDALAGE ÉLECTRIQUE .....</b>	<b>327</b>
Schéma de connexion des composants .....	327
Branchement des composants du moteur électrique .....	328
Capteur de vitesse. Disques de frein et aimants compatibles .....	329
Fixation du moteur électrique sur le cadre .....	330
Batterie interne .....	331
Caractéristiques techniques de la batterie interne .....	331
Fixation de la batterie interne sur le cadre .....	331
Branchement du faisceau de câbles sur la batterie interne .....	331
Dépannage de la batterie interne (informations pour les distributeurs) .....	332
Retrait de la batterie interne (information pour les revendeurs) .....	332
Range Extender RS 210 Wh 2e génération .....	335
Avis de compatibilité .....	335
Caractéristiques techniques .....	335

Charge du Range Extender .....	336
Pose du Range Extender .....	337
Fonctionnement du Range Extender .....	338
Affichage du niveau de charge .....	339
Stockage du Range Extender .....	340
Vérifier l'état du Range Extender .....	340
Recherche de pannes .....	341
Chargeur Smart Charger 2A-4A 2e génération .....	342
Connexion à Etube Professionnal. Informations destinées aux distributeurs. ....	344
<b>23 COUPLES DE SERRAGE. APERÇU .....</b>	<b>347</b>
<b>24 PIÈCES DÉTACHÉES DU RISE HYDRO 2025.....</b>	<b>349</b>
Jeu de direction .....	350
Potences OC MC10/MC20 .....	352
Potence OC MC11 .....	354
Axe arrière .....	356
Point pivot principal du bras oscillant .....	358
Bielle .....	359
Rallonge d'amortisseur SL .....	361
Rallonge d'amortisseur LT .....	362
Fixation de l'amortisseur .....	364
Câblage .....	365
Protections .....	367
Fixation du moteur électrique .....	368
Autre boulonnerie de cadre .....	369
Composants du système électrique .....	371
Range Extender RS 210 Wh 2e génération .....	374
<b>25 INFORMATIONS SUPPLÉMENTAIRES.....</b>	<b>375</b>

# 01 À PROPOS DE CE MANUEL

Ce manuel technique renferme d'importantes informations relatives à votre vélo, son utilisation, son entretien et ses pièces de rechange. Lisez-le attentivement.

Ce manuel est un complément du manuel de l'utilisateur général des vélos et composants Orbea. Ce dernier décrit plus en détail l'utilisation et le réglage adéquats des composants généraux du vélo en vue d'une utilisation sûre. Vous pouvez consulter ou télécharger le Manuel de l'utilisateur ainsi que les autres manuels techniques des produits Orbea depuis notre site Web :

<https://www.orbea.com/fr-fr/assistance/manuels>

Les informations relatives à l'utilisation, à l'entretien et aux caractéristiques techniques des composants d'autres fabricants montés sur nos vélos, tels que les guidons, les roues, les systèmes d'assistance au pédalage, les fourches télescopiques, etc., sont disponibles sur le site Web des fabricants en question ou auprès de leurs revendeurs dans votre pays.

## **AVERTISSEMENT POUR LES UTILISATEURS**

Le montage et/ou l'entretien des composants décrits dans le présent manuel nécessitent des connaissances en mécanique pouvant dépasser les compétences de la plupart des acheteurs. Si, en tant qu'utilisateur, nous ne disposez pas des connaissances nécessaires pour installer correctement ces composants, consultez toujours un distributeur Orbea pour procéder à l'installation, au remplacement et/ou à l'entretien des composants de votre vélo afin d'en garantir la sécurité.

Les dégâts au niveau des composants provoqués par une installation incorrecte ou un mauvais entretien ne sont pas couverts par la garantie.

## 02 LÉGENDE DES SYMBOLES

Vous retrouverez tout au long de ce manuel différents symboles qui signalent des instructions ou des avertissements sur l'utilisation, l'entretien et l'assemblage. Il convient de prêter attention à ces symboles afin d'éviter des situations dangereuses et de garantir l'assemblage et l'utilisation corrects de l'ensemble des composants.

Vous trouverez ci-dessous la signification de ces symboles. Dans ce manuel, un symbole peut être accompagné uniquement des instructions pertinentes pour le composant qu'il décrit. Lisez attentivement les informations suivantes pour en comprendre la signification.

### CONSIGNES DE SÉCURITÉ



**DANGER** : une situation dangereuse qui, si elle n'est pas évitée, entraînera des blessures graves, voire mortelles.



**AVERTISSEMENT** : une situation dangereuse qui, si elle n'est pas évitée, pourrait entraîner des blessures graves, voire la mort.



**MISE EN GARDE** : une situation dangereuse qui, si elle n'est pas évitée, peut entraîner des blessures mineures ou modérées.

#### ATTENTION

Situation non liée à une blessure physique. Informations pertinentes.



**DANGER. RISQUE DE CHOC ÉLECTRIQUE** : situation dangereuse qui, si elle n'est pas évitée, pourrait provoquer la mort ou des blessures graves par choc électrique.



**AVERTISSEMENT RISQUE DE COURT-CIRCUIT** : le non-respect des instructions peut provoquer des courts-circuits dans les composants électriques, ce qui pourrait endommager les composants ou provoquer un incendie.

Les symboles DANGER et AVERTISSEMENT impliquent toujours un risque d'accident si des mesures ne sont pas

prises afin d'éviter la situation qu'ils décrivent. Un accident à vélo peut toujours entraîner un risque de blessure grave, voire mortelle. Le risque de décès ne sera pas toujours répété dans ce manuel lorsque ces symboles apparaissent, car le risque est détaillé ici.

### OUTILLAGE ET COUPLES DE SERRAGE



CLÉ PLATE



CLÉ TORX



CLÉ ALLEN



TOURNEVIS  
CRUCIFORME



La taille de l'outil à utiliser apparaît dans ce symbole



10 N.m

Le couple de serrage prescrit en Newton.mètres figure sous le symbole de l'outil à utiliser.

Utilisez toujours les outils et les produits adéquats pour une intervention d'entretien ou une réparation particulière. L'utilisation d'outils mal adaptés ou en mauvais état ou de produits génériques peut endommager les composants et ces dégâts ne sont pas couverts par la garantie.

### COMPOSÉ D'ASSEMBLAGE

La légende des composés d'assemblage à utiliser pour un composant ou une zone spécifique est donnée dans chaque image relative à l'assemblage de ce composant dans ce manuel.

# 03 GARANTIE ORBEA

Les efforts constants que nous réalisons pour fournir des vélos de très haute qualité nous permettent de vous proposer les conditions de garantie suivantes :

## GARANTIE LÉGALE

Orbea offre au propriétaire d'origine d'un vélo Orbea, d'une fourche rigide ou d'un composant OC une garantie légale de trois ans à compter de la date d'achat des articles ou, par défaut, de la période définie comme période de garantie légale dans le pays d'achat.

La présente garantie couvre tous les produits Orbea contre les défauts de fabrication et/ou de non-respect des normes et garantit la réparation ou le remplacement du produit défectueux sans frais pour le client concerné. Cette garantie couvre également tous les défauts liés à la peinture, au vernis et à la corrosion de tous les cadres et fourches rigides que nous montons sur nos vélos, pendant la période spécifiée au paragraphe antérieur de la présente garantie.

Pour tout composant provenant de fabricants autres qu'Orbea, il faudra traiter toute demande de garantie chez un distributeur agréé du fabricant du composant impliqué.

La présente garantie ne couvre en aucun cas les dommages liés à une utilisation inadéquate, aux chutes ou aux accidents ou au manque d'entretien, ni l'usure normale des éléments consommables dont la liste non exhaustive inclut, entre autres, les joints, les roulements, la guidoline, les rayons, les pneus, etc.

Pour obtenir une description complète des conditions de couverture et de la garantie légale, consultez la page suivante :

[www.orbea.com/fr-fr/warranty](http://www.orbea.com/fr-fr/warranty)

## GARANTIE À VIE ORBEA

En plus de la garantie légale, Orbea propose à l'acheteur original du vélo une garantie commerciale à vie qui couvre les cadres et les fourches rigides que nous montons sur nos vélos contre tout défaut de fabrication ou de matériau sans restriction dans le temps, pour autant que l'acheteur ait enregistré son vélo sur le site Web d'Orbea dans les 30 jours suivant l'achat.

Cette garantie prolonge d'un an la durée de la couverture originale contre les défauts liés à la peinture, au vernis et à la corrosion sur les cadres et les fourches rigides à l'échéance de la garantie légale.

La garantie commerciale à vie Orbea couvre uniquement les cadres et les fourches rigides, pas les composants OC.

Pour obtenir une description complète des conditions de la garantie à vie, consultez la page suivante :

<https://www.orbea.com/fr-fr/warranty#garantie-a-vie-orbea>

## ENREGISTREMENT DE VOTRE VÉLO

Afin de profiter de l'extension de garantie à vie Orbea, vous devez enregistrer votre vélo dans les 30 jours suivant son achat sur la page suivante :

[www.orbea.com/gb-en/acceso-registro?from=register-plate/](http://www.orbea.com/gb-en/acceso-registro?from=register-plate/)

### 1. CRÉATION DU COMPTE

The screenshot shows the 'REGISTRATE EN ORBEA' form. It includes a header with navigation links: BICICLETAS, AJUSTES, PERSONALIZACION, EQUIPAMIENTO, HISTORIAL. The main form is divided into two columns. The left column is titled '¿YA FORMAS PARTE DE ORBEA?' and contains fields for 'EMAIL\*' and 'CONTRASEÑA\*' with a '¡ACCEDER!' button. The right column is titled 'REGISTRATE EN ORBEA' and contains a list of benefits: GARANTIA ORBEA, PERSONALIZACIÓN, NEWSLETTERS, and COMPRA ONLINE. It also includes fields for 'EMAIL\*', 'CONTRASEÑA\*', and 'REPETIR CONTRASEÑA\*', along with checkboxes for terms and conditions and a 'REGISTRARME' button.

### 2. ENREGISTREMENT DU CODE-BARRES

The screenshot shows the 'REGISTRO DE GARANTÍA' form. It includes a header with the title 'REGISTRO DE GARANTÍA'. The main form contains fields for 'MATRÍCULA\*' and 'FECHA DE COMPRA\*'. Below these are sections for 'NIVEL DE SATISFACCIÓN' with dropdown menus for 'MI NIVEL DE SATISFACCIÓN CON EL PROCESO DE COMPRA ES...' and 'MI NIVEL DE SATISFACCIÓN CON EL PRODUCTO ES...'. There are also checkboxes for terms and conditions and a 'REGISTRAR MATRÍCULA' button.

### 3. OÙ TROUVER VOTRE CODE-BARRES ?





## GARANTIE DES COMPOSANTS DU SYSTÈME D'ASSISTANCE AU PÉDALAGE ÉLECTRIQUE

### COMPOSANTS SHIMANO STEPS

Les composants du système électrique Shimano STEPS (moteur électrique, capteur de vitesse, contacteur de modification du niveau d'assistance, écran et câblage Di2) sont couverts par une garantie légale pendant une période de trois ans à compter de la date d'achat de l'article ou du vélo ou pendant la période considérée comme étant la période de garantie légale dans le pays d'achat.

Toute réclamation de garantie doit être traitée via Shimano ou via un des revendeurs agréés de la marque.

### COMPOSANTS EXCLUSIFS ORBEA RS

Les composants du système électrique RS exclusif d'Orbea (batterie interne, Range Extender, faisceau de câbles de connexion de la batterie, moteur électrique et port de charge) sont couverts par une garantie légale de trois ans à compter de la date d'achat de l'article ou du vélo ou pendant la période considérée comme étant la période de garantie légale dans le pays d'achat.

Toute réclamation de garantie doit être envoyée à Orbea via un de nos revendeurs agréés.

Ces garanties couvrent tous les produits Shimano et Orbea contre les défauts de fabrication et/ou de non-respect des normes et garantit la réparation ou le remplacement du produit défectueux sans frais pour le client concerné

Cette garantie ne couvre en aucun cas les dégâts provoqués par un usage inadéquat, des chutes ou des accidents, une installation incorrecte ou un manque d'entretien ou le non-respect des instructions d'utilisation, de rangement, de charge ou autres fournies dans ce manuel.

La perte de capacité des batteries RS (batterie interne et Range Extender) due au vieillissement naturel des batteries en raison de l'utilisation, de la charge et du stockage est exclue de cette garantie.

## TRAITEMENT DES RÉCLAMATIONS DE GARANTIE

Toute réclamation au titre de la garantie doit être traitée par un revendeur Orbea autorisé. Celui-ci posera le diagnostic initial et enverra à Orbea, à Shimano ou au fabricant du composant faisant l'objet de la réclamation toute la documentation nécessaire pour poser un diagnostic complet dans le cadre de cette réclamation. Le revendeur informera le propriétaire de l'état d'avancement du traitement et lui communiquera la décision d'Orbea, de Shimano ou du fabricant du composant sur la réclamation au titre de la garantie.

## RÉCLAMATIONS ET RÉPARATIONS AU TITRE DE LA GARANTIE DES COMPOSANTS DU SYSTÈME D'ASSISTANCE AU PÉDALAGE ÉLECTRIQUE

**SHIMANO** : Shimano traite les réclamations au titre de la garantie ou la réparation des composants du système électrique suivants :

- Moteurs Shimano EP801 RS et EP6 RS.
- Capteur de vitesse.
- Câblage propre à STEPS/Di2.
- Levier de niveau d'assistance SW-EN600-L.
- Écran SC-EN600

**ORBEA** : Orbea traite les réclamations au titre de la garantie ou la réparation des composants du système électrique suivants :

- Batterie externe Range Extender 210 Wh 2e génération.
- Batteries interne 540Wh 2e gén./630 Wh 2e gén./420 Wh 2e gén. du système Orbea Ebike.
- Faisceau de câbles pour la connexion à la batterie interne, au moteur et au port de charge 2e génération.
- Chargeur Smart Charger RS 2e génération.

Si vous devez introduire une réclamation au titre de la garantie, nous vous conseillons de vous rendre à chaque fois chez le revendeur chez qui vous avez acheté votre vélo ou chez celui que vous avez sélectionné lors de l'achat d'un vélo livré directement à votre domicile. S'il vous est impossible de vous rendre chez le revendeur original, consultez la liste des revendeurs agréés sur notre site Web ou contactez directement Orbea afin que nous puissions vous indiquer le revendeur chez qui vous devriez vous rendre.

[www.orbea.com/fr-fr/distribuidores/?country](http://www.orbea.com/fr-fr/distribuidores/?country)

[www.orbea.com/fr-fr/contact/](http://www.orbea.com/fr-fr/contact/)

## 04 ENTRETIEN

Orbea accorde beaucoup d'attention à la conception afin de proposer des produits durables, efficaces et faciles à entretenir. Les cadres et fourches en carbone et en aluminium affichent une résistance extrêmement élevée à la corrosion.

Cependant, pour garantir le fonctionnement adéquat et sûr du vélo et contribuer à sa longévité, il convient de réaliser l'entretien régulier du vélo et de ses composants.

### NETTOYAGE DU VÉLO

Nettoyez régulièrement votre vélo au savon doux et à l'eau afin de le maintenir en parfait état et de pouvoir vérifier l'état du cadre et des composants. Évitez le lavage sous pression, car il pourrait endommager des composants tels que les roulements ou les tubes du cadre.

Les dégraissants à base d'agrumes sont biodégradables et éliminent très efficacement la graisse des composants de la transmission et de la chaîne.



Une accumulation de saletés peut compliquer l'inspection visuelle des composants et dissimuler des dommages qui pourraient provoquer un dysfonctionnement ou un accident.

#### ATTENTION

Elle entraîne également l'usure prématurée des composants et peut même endommager le cadre du vélo à proximité des boîtiers de roulement ou des pièces mobiles. La garantie ne couvre pas les dommages provoqués par un manque de nettoyage ou d'entretien.

### LUBRIFICATION DE LA TRANSMISSION

Après que vous avez nettoyé votre vélo, il convient de graisser la transmission et plus particulièrement, la chaîne. Appliquez la quantité minimale nécessaire à la lubrification des maillons et éliminez tout excédent de lubrifiant afin d'éviter l'agglomération de débris et éliminer ainsi le risque de dysfonctionnement de la transmission et l'usure prématurée de ses composants.



Évitez l'utilisation de lubrifiants en aérosol afin qu'ils ne se déposent pas sur les surfaces de freinage. Veillez à toujours vérifier les freins après chaque lubrification de la transmission.

### INSPECTION DU VÉLO AVANT CHAQUE SORTIE

Effectuez une inspection rapide avant chaque parcours afin de vérifier que l'état de fonctionnement de votre vélo est optimal. Vous pouvez découvrir de petits problèmes qui peuvent se transformer en incidents majeurs pendant le parcours.

**CADRE** : recherchez la présence éventuelle de fissures ou d'autres dommages sur le cadre et la fourche. Vous ne devez percevoir aucun son étrange. Si le cadre est endommagé, n'utilisez pas le vélo et contactez votre revendeur agréé en vue de réaliser une inspection plus poussée.

**CHAÎNE** : assurez-vous que la chaîne soit propre et lubrifiée. La transmission ne doit émettre aucun bruit anormal.

**FREINS** : confirmez le fonctionnement adéquat et sûr des freins. Vérifiez le couple de serrage des composants.

**PNEUS** : vérifiez l'état d'usure des pneus et recherchez la présence éventuelle d'entailles sur la bande de roulement ou sur les flancs. Si le pneu est endommagé, remplacez-le. Assurez-vous que la pression de gonflage du pneu est adéquate.

**ROUES** : assurez-vous que les roues tournent librement et qu'elles n'affichent aucun mouvement latéral. Bougez légèrement la roue en latéral afin de vérifier l'absence de jeu latéral dans les roulements. Vérifiez que les rayons ne sont pas cassés ou desserrés. Assurez-vous que les axes et les blocages rapides sont bien serrés et au couple correct.

**JEU DE DIRECTION** : appliquez le frein avant et déplacez l'avant du vélo d'avant en arrière, en exerçant une pression sur le guidon, roue avant au sol. Recherchez d'éventuels mouvements ou bruits étranges au niveau du jeu de direction. Cela pourrait indiquer l'usure des roulements ou le mauvais serrage du jeu de direction. Une fois que le jeu de direction a été bien réglé, confirmez qu'il tourne sans résistance.

**POINTS DE PIVOT DU BRAS OSCILLANT** : sur un vélo tout-suspendu, confirmez la rotation sans encombre des points de pivot du bras oscillant et l'absence de jeu au niveau des roulements. Tirez latéralement sur le bras oscillant monté sur le vélo et soyez attentif à tout bruit ou jeu au niveau des points de pivot. Si le bras oscillant ne fonctionne pas correctement ou s'il présente un jeu, cela peut être dû à un couple de serrage incorrect ou à des roulements usés ou endommagés.

**ROULEMENTS** : les roulements (boîtier de pédalier, points de pivot du bras oscillant, jeu de direction, roues, etc.) s'usent et il convient de les vérifier régulièrement afin de garantir leur fonctionnement adéquat. Un roulement en mauvais état peut endommager le composant dans lequel il est installé. Le mauvais temps accélère également l'usure des roulements. Il convient de remplacer sur le champ tout roulement qui présente un jeu excessif ou une résistance. En cas de doute, consultez votre revendeur agréé.

**ATTENTION**

La garantie ne couvre pas les dommages au niveau des composants du vélo tels que le cadre, les roues, etc. provoqués par l'absence d'entretien ou de remplacement des roulements.

**SYSTÈME ÉLECTRIQUE :** mettez le vélo sous tension et confirmez que le système électrique fonctionne correctement. Confirmez la présence d'une assistance au pédalage électrique et le bon fonctionnement de tous les composants (moteur électrique, écran, modification du mode d'assistance et capteur de vitesse).

Si l'assistance au pédalage électrique ne fonctionne pas, vérifiez toutes les connexions entre les composants, ainsi que leur état et celui des câbles (il faut remplacer tout câble ou composant présentant des dommages).

Recherchez la présence éventuelle de pannes dans le système électrique. L'écran Shimano SC-EN600 affichera le code d'erreur, le cas échéant. La DEL inférieure du commutateur d'assistance SW-EN600-L clignote en rouge en cas d'erreur dans le système. Connectez le vélo à l'application Shimano E-Tube pour identifier le code d'erreur.

Une fois que vous avez identifié le code d'erreur, suivez les recommandations de l'application relatives à l'erreur ou consultez le mode d'emploi du système Shimano STEPS. Si le système électrique ne fonctionne toujours pas après que vous avez suivi la méthode décrite ou en l'absence de méthode que l'utilisateur pourrait appliquer, emmenez le vélo chez un revendeur autorisé pour le diagnostic et la réparation.

Vous trouverez la liste des codes d'erreur et des avertissements du système Shimano STEPS et les méthodes de résolutions à la page suivante :

<https://si.shimano.com/es/error>



Le non-respect des recommandations formulées dans le présent manuel et l'utilisation d'un vélo présentant n'importe lequel des symptômes décrits ci-dessus peuvent provoquer des accidents et des blessures graves.



**COUPLES DE SERRAGE.** Toujours vérifier les couples de serrage et installer les composants décrits dans ce manuel en suivant les couples de serrage prescrits. Respecter les couples de serrage prescrits par les fabricants des composants de votre vélo Orbea. Le non-respect de ces recommandations peut entraîner le dysfonctionnement des composants ainsi que des accidents ou la mort.

## CALENDRIER D'ENTRETIEN

**ATTENTION**

Le calendrier d'entretien des composants indiqué ci-dessous sert de référence et dépend en grande partie de facteurs tels que les conditions météorologiques (des conditions défavorables réduisent considérablement la durée de vie des composants et les intervalles d'entretien), la propreté du vélo et de ses composants (les composants avec de la saleté accumulée s'usent plus rapidement) et l'utilisation (une utilisation plus exigeante du vélo nécessitera des intervalles d'entretien plus courts).

S'agissant des composants d'autres marques qui se trouvent sur les vélos Orbea, consultez les calendriers d'entretien obligatoires ou facultatifs sur le site Web des fabricants ou auprès du revendeur de ces marques dans votre pays.

**ATTENTION**

La garantie Orbea ou celle du fabricant du composant ne couvre pas les dégâts liés au non-respect du calendrier d'entretien recommandé.



Le non-respect du calendrier d'entretien peut endommager le composant et provoquer des dysfonctionnements et des accidents.

### JEU DE DIRECTION :

- Vérifier le fonctionnement avant chaque sortie.
- Démonter et vérifier manuellement les roulements tous les 6 mois d'utilisation.

### BOÎTIER DE PÉDALIER :

- Vérifier le fonctionnement avant chaque sortie.
- Démonter et vérifier manuellement les roulements tous les 6 mois d'utilisation.

### TRANSMISSION :

- Vérifier le fonctionnement avant chaque sortie.
- Vérifier l'usure de la chaîne tous les 500 km. Il convient de remplacer toute chaîne usée au-delà des recommandations du fabricant afin d'éviter d'endommager les autres composants de la transmission. Si vous ne respectez pas les recommandations du fabricant en matière d'usure, vous pourriez être amené à devoir remplacer les autres composants de la transmission.

### ROUES :

- Vérifier le fonctionnement avant chaque sortie.
- Démonter et vérifier manuellement les roulements et l'ensemble des composants tous les 4 à 6 mois.

### AMORTISSEURS ET FOURCHES TÉLESCOPIQUES :

- Vérifier le fonctionnement avant chaque sortie.
- Vérifier et réaliser un entretien complet toutes les 125 heures ou une fois par an, selon la première échéance atteinte, chez un revendeur agréé du fabricant.

#### TIGES DE SELLE TÉLESCOPIQUES :

- Vérifier le fonctionnement avant chaque sortie.
- Vérifier et réaliser un entretien complet toutes les 125 heures ou une fois par an, selon la première échéance atteinte, chez un revendeur agréé du fabricant.

#### POINTS DE PIVOT SUR LES CADRES DE VÉLOS TOUT-SUSPENDUS :

- Vérifier le fonctionnement avant chaque sortie.
- Démontez le cadre et réalisez une inspection visuelle de l'ensemble des roulements toutes les 125 heures d'utilisation ou une fois par an, selon la première échéance atteinte. Ces délais peuvent être réduits en fonction des conditions d'utilisation du vélo. En cas d'utilisation plus intense du vélo ou dans des conditions météorologiques difficiles ou dans la boue, il conviendra de démonter et de vérifier le cadre toutes les 75 heures d'utilisation ou tous les 6 mois, en fonction de la première échéance atteinte. Quand un roulement présente une résistance ou un jeu excessif, il convient de le remplacer sur le champ.

#### CÂBLES DE CHANGEMENT DE VITESSE ET GAINES :

- Vérifier le fonctionnement avant chaque sortie.
- Remplacer les câbles de changement de vitesse tous les 6 ou 12 mois en fonction des conditions d'utilisation du vélo.

#### FREINS :

- Vérifier le fonctionnement et l'état d'usure des plaquettes de frein ou des inserts avant chaque sortie.
- Vérifier l'usure des disques de frein et des câbles ou des durites tous les 6 à 12 mois en fonction des conditions d'utilisation du vélo. Purgez les durites de frein hydraulique une fois par an.

#### COMPOSANTS DU SYSTÈME D'ASSISTANCE AU PÉDALAGE ÉLECTRIQUE :

Vérifiez régulièrement les connexions et les câbles des composants du système d'assistance au pédalage électrique de votre vélo. Les connexions doivent être propres et sans corps étrangers. Les câbles doivent être en bon état. Ils ne peuvent être entaillés ou pincés, ce qui pourrait provoquer un court-circuit et une perte de l'assistance au pédalage électrique.

L'extérieur des composants tels que les commandes à distance ou les batteries ne doit afficher aucun dégât qui permettrait l'entrée d'eau ou d'autres éléments.

Si les composants électriques affichent le moindre dégât, rendez-vous chez votre revendeur Orbea pour obtenir un diagnostic et/ou un remplacement.

#### ATTENTION

Consultez la section de ce manuel sur les avertissements relatifs à l'utilisation du système d'assistance au pédalage électrique pour savoir comment entretenir correctement ses composants.

#### MISES À JOUR DU SYSTÈME ÉLECTRIQUE :

Les systèmes d'assistance au pédalage électrique peuvent bénéficier de mises à jour qui améliorent le fonctionnement du système. Certaines mises à jour du système Shimano STEPS ont lieu via Bluetooth® lorsque votre vélo est connecté à l'application Shimano Etube Project Cyclist sur votre téléphone.

#### ATTENTION

Lors de l'exécution d'une mise à jour du système via Bluetooth® à l'aide de l'application mobile E-Tube Project, il est conseillé de désactiver la connexion aux réseaux mobiles et Wi-Fi pour éviter la réception d'un appel ou d'un message qui pourrait interrompre la mise à jour. Si le vélo présente un dysfonctionnement suite à l'interruption d'une mise à jour, rendez-vous avec le vélo chez un revendeur Orbea agréé pour réaliser la mise à jour via l'interface Shimano SM-PCE02 accessible au revendeur.

Vous pouvez consulter ici le guide de l'utilisateur de Shimano Etube Project Cyclist :

<https://si.shimano.com/es/um/7J4MA>

D'autres mises à jour doivent peut-être être confiées à un revendeur autorisé. Demandez au revendeur de rechercher la disponibilité éventuelle de mises à jour pour votre vélo lorsque vous lui apportez ce dernier pour une réparation ou un entretien



Certains de ces besoins d'entretien et réparations vont au-delà des connaissances mécaniques de la majorité des cyclistes. Si vous n'êtes pas assez qualifié pour réaliser un entretien requis, confiez toujours l'entretien de votre vélo et de ses composants à un revendeur Orbea. Un entretien mal exécuté peut provoquer des dysfonctionnements et des accidents aux conséquences graves.

#### ATTENTION

Les dégâts éventuels produits par un entretien mal exécuté ne sont pas couverts par la garantie.

## PIÈCES DE RECHANGE

Utilisez toujours des pièces de rechange d'origine Orbea ou du fabricant du composant en question.



L'utilisation de pièces de rechange non originales peut causer des dommages entraînant des pannes et des accidents avec de graves conséquences.



L'installation de plusieurs des pièces indiquées dans ce manuel dépasse les connaissances mécaniques de la plupart des cyclistes. Si vous ne possédez pas la qualification requise pour la pose de ces pièces, confiez toujours l'entretien de votre vélo à un revendeur Orbea. L'installation incorrecte des pièces de rechange peut entraîner des pannes, des accidents et des blessures graves.

**ATTENTION**

L'installation de pièces de rechange non originales peut endommager votre vélo. De tels dégâts ne sont pas couverts par les conditions de garantie.

Consultez le catalogue complet des pièces de rechange Orbea sur notre site Web :

[www.orbea.com/fr-fr/gear/spare-parts/](http://www.orbea.com/fr-fr/gear/spare-parts/)

## APRÈS UNE CHUTE OU UN CHOC

Tomber du vélo est inhérent au cyclisme. Si vous chutez avec votre vélo Orbea, assurez-vous que vous allez bien et, le cas échéant, consultez un médecin. Si vous n'avez subi aucune blessure, vous devez vérifier l'état de votre vélo avant de continuer.

### VÉRIFIER LE CADRE ET LES COMPOSANTS DU VÉLO AFIN D'IDENTIFIER TOUT DÉGÂT.

Si vous détectez le moindre problème, arrêtez d'utiliser le vélo.

#### POINTS À VÉRIFIER

Vérifiez le cadre et la fourche pour confirmer que ces éléments ne sont ni fissurés ni pliés. En cas de détection du moindre dégât ou de la moindre fissure, arrêtez sur le champ d'utiliser le vélo. Sur les cadres en carbone, recherchez la présence éventuelle de fissures ou de zones de faiblesse. En cas de détection d'un symptôme de ce genre, arrêtez sur le champ d'utiliser le vélo.



Les cadres et les fourches en carbone sont rigides et solides. Toutefois, en cas d'impact, la fibre de carbone ne se plie pas, elle se brise. Un choc suffisamment fort sur ce matériau pourrait entraîner des dommages qui, bien qu'ils ne soient pas visibles au premier regard, pourraient entraîner une défaillance du matériau à l'avenir. Si vous avez des doutes sur les conséquences d'une chute ou d'un accident, contactez votre revendeur Orbea afin d'obtenir un diagnostic correct pour les matériaux.

Vérifiez la transmission et les roues et confirmez que ces composants fonctionnent correctement. S'il s'avère que ces composants sont endommagés de la moindre manière, arrêtez d'utiliser le vélo sur le champ.

Même si vous ne remarquez aucun dommage, portez une attention particulière au son de votre vélo lorsque vous roulez à nouveau. Une casse et d'autres problèmes peuvent générer des bruits inhabituels. Si vous remarquez un bruit inhabituel, arrêtez sur le champ de rouler avec votre vélo et contactez votre revendeur Orbea afin que celui-ci puisse poser un diagnostic correct du problème.

### CONDUIRE VOTRE VÉLO ORBEA CHEZ UN REVendeur AGRÉÉ EN VUE D'UNE INSPECTION PROFESSIONNELLE

Certaines des conséquences d'une chute ou d'un accident ne peuvent être détectées qu'en démontant complètement le vélo afin de vérifier la présence de fissures ou d'autres signes de détérioration.



Une collision ou un choc peuvent sérieusement endommager votre vélo et ses composants, ce qui peut provoquer son dysfonctionnement ou son usure prématurée. Des défaillances peuvent survenir soudainement et sans avertissement, entraînant une perte de contrôle du vélo, des blessures graves, voire la mort.

## 05 AVERTISSEMENTS CONCERNANT L'UTILISATION DU RISE

### LARGEUR MAXIMALE DES PNEUS

Ce manuel technique renseigne la largeur maximale des pneus compatibles avec le cadre. Veillez à toujours suivre ces recommandations lors de la monte de pneus sur le vélo.

Consultez le tableau des caractéristiques techniques dans ce manuel pour connaître les dimensions maximales autorisées pour les pneus.

Les dimensions externes de différents pneus peuvent varier, quelles que soient les dimensions indiquées par le fabricant. Le dégagement radial qui désigne l'espace compris entre la partie la plus externe du pneu et la partie inférieure des fourreaux doit mesurer au moins 6 mm. Le dégagement radial qui désigne l'espace compris entre la partie la plus extérieure du pneu et la partie inférieure du té de la fourche et les fourreaux doit être compris au moins entre 6 et 8 mm.

Vérifiez également les valeurs maximale et minimale compatibles pour la largeur d'un pneu pour une jante donnée en fonction de la largeur interne de celle-ci. Consultez les informations de compatibilité dans la documentation du fabricant de la roue.

#### ATTENTION

La garantie ne couvre pas les dégâts au niveau du cadre ou des composants provoqués par l'utilisation de pneus qui ne sont pas conformes aux dimensions recommandées.

### INSERTION MINIMALE DE LA TIGE DE SELLE



Respectez toujours la mesure d'insertion minimale indiquée pour la tige de la selle utilisée ou le cadre des vélos de course avec des tiges de selle exclusives d'Orbea.

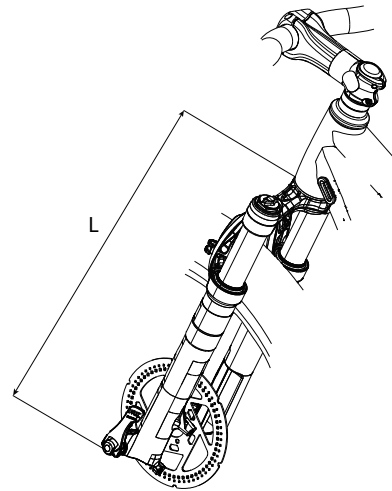
Le non-respect de ces valeurs peut soumettre les matériaux à des contraintes supérieures à celles prescrites et provoquer des dégâts que la garantie ne couvre pas ou des accidents pouvant entraîner des blessures graves.

### LONGUEUR DE FOURCHE MAXIMALE (HAUTEUR DE FOURCHE)

Respectez toujours la longueur de fourche maximale renseignée dans les caractéristiques techniques de ce manuel. La longueur de fourche maximale désigne la distance entre l'axe de la fourche et la partie inférieure de la douille de direction (hauteur de fourche).



Le non-respect de cette consigne et la pose d'une fourche dont la hauteur est supérieure à la spécification maximale peuvent pousser le cadre au-delà de ses caractéristiques de conception, avec un risque de défaillance des matériaux qui provoquerait un accident et des blessures graves.



### NOMBRE MAXIMUM D'ENTRETOISES DE JEU DE DIRECTION



Ne placez jamais sous la potence un nombre d'entretoises de jeu de direction supérieur à celui prévu pour le cadre. Consultez les tableaux des caractéristiques techniques afin de trouver le nombre maximum d'entretoises ou le stack maximum de jeu de direction acceptable sur un cadre Orbea. La pose d'un nombre d'entretoises supérieur à la quantité autorisée peut soumettre les matériaux à des contraintes supérieures aux contraintes prescrites, ce qui pose un risque d'accidents et de blessures graves. Consultez également le nombre maximum d'entretoises de jeu de direction autorisées en dessous de la potence dans le tableau des caractéristiques techniques.



La longueur du pivot de fourche doit toujours être adaptée à la position de la potence sur la fourche. La potence doit toujours être posée sur le pivot de la fourche de telle sorte que les deux boulons de fixation à l'arrière de la potence soient situés sur le pivot de la fourche. N'assemblez jamais une potence de telle sorte que le boulon de fixation de la potence sur le pivot se situe au-dessus de l'extrémité supérieure du pivot de la fourche. Cela créerait une contrainte supérieure à celle de l'utilisation prévue du matériau, avec le risque d'accident et de blessures graves.

La distance entre l'extrémité supérieure du pivot de fourche et la surface de pose du capuchon de précontrainte de potence doit être d'au moins 3 mm pour permettre une précontrainte correcte du jeu de direction.

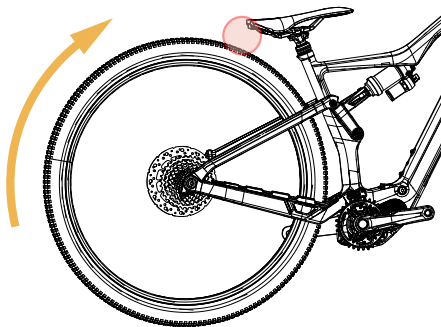
Pour toutes les catégories ASTM, veuillez vous référer au manuel d'utilisation.



## DISTANCE MINIMALE ENTRE LA ROUE ET LA SELLE EN COMPRESSION MAXIMALE



La distance minimale entre l'arrière de la selle et la roue arrière lorsque le bras oscillant est en position de compression maximale de l'amortisseur avec la tige de selle la plus basse possible doit être de 25 mm minimum. En cas de non-respect de cette distance, la roue arrière pourrait toucher la selle, ce qui provoquerait le blocage de la roue arrière, avec un risque d'accident et de blessures graves. Les dommages causés aux composants par le non-respect de cette instruction ne sont pas couverts par les conditions de garantie.



## UTILISATION PRÉVUE

L'utilisation prévue pour tous les modèles est la condition 4 de l'ASTM, qui prévoit une utilisation selon les conditions 1, 2 et 3, ainsi que sur les sentiers de nature technique présentant de nombreux obstacles, avec des pentes plus raides et donc des vitesses plus élevées. Sauts et franchissements fréquents et modérés.

En raison du terrain, ces modèles doivent être inspectés après chaque utilisation. L'utilisation sur ce type de terrain nécessite des compétences techniques et elle peut entraîner des blessures pour les débutants.

# 06 AVERTISSEMENTS CONCERNANT L'UTILISATION DU SYSTÈME D'ASSISTANCE ÉLECTRIQUE

## RESPECTEZ TOUJOURS LES RECOMMANDATIONS D'UTILISATION DES COMPOSANTS ÉLECTRIQUES ET DES BATTERIES.

### ATTENTION

Consultez la section « Informations pertinentes relatives aux batteries Orbea » pour obtenir de plus amples informations utiles sur l'utilisation, l'entretien et le dépannage de la batterie interne et du Range Extender.



N'utilisez pas de systèmes tiers (autre que Shimano ou Orbea) pour modifier ou délimiter les paramètres d'assistance du système électrique. Cela peut endommager les composants du vélo (système d'assistance mécanique et électrique) et provoquer des accidents graves, voire mortels. Cela peut aussi entraîner un risque d'incendie. Les modifications non autorisées ou non couvertes dans la documentation du fabricant peuvent annuler la couverture de la garantie pour tous les composants.

- Ne lavez pas le vélo à l'aide d'un nettoyeur à haute pression et évitez de tremper le vélo ou les composants électriques dans l'eau. Tous les composants électriques jouissent d'une protection contre la pluie et les éclaboussures. Cela étant, l'utilisation d'un nettoyeur à haute pression peut endommager les composants et provoquer des courts-circuits.
- Évitez d'utiliser votre vélo par très mauvais temps. Tous les composants électriques jouissent d'une protection contre la pluie et les éclaboussures. Toutefois, des conditions météorologiques exécrables peuvent endommager les composants.
- Évitez de transporter le vélo à l'extérieur de votre véhicule lorsqu'il pleut. Tous les composants électriques jouissent d'une protection contre la pluie et les éclaboussures. Toutefois, la vitesse à laquelle roule le véhicule peut aggraver les effets de la pluie sur les composants électriques.

En cas de transport du vélo à l'extérieur du véhicule, retirez le Range Extender du vélo et confirmez que le cache du port de charge est bien fermé.

- N'exposez pas le vélo ou la batterie à des températures élevées pendant de longues périodes. Les températures élevées pourraient endommager les composants

électriques. Les températures supérieures à 70°C peuvent provoquer des fuites et représentent un risque d'incendie.

- Respectez les plages de températures prescrites pour l'utilisation (décharge), la charge et le rangement de la batterie (batterie interne) et de Range Extender. L'utilisation, la charge ou le rangement des batteries hors de ces plages peut avoir un impact sur les cellules et réduire leur durée de vie ainsi que leur autonomie.
- Le diagramme de températures suivant reprend les valeurs maximales pour l'utilisation, la charge et le rangement recommandées par le fabricant des cellules.

En règle générale, **l'utilisation, la charge et le rangement de batteries à des températures inférieures à 0°C entraînera une réduction de l'autonomie par charge. La durée de vie utile de la batterie peut être affectée par une utilisation continue dans ces conditions.**

### PLAGES DE TEMPÉRATURE

Charge	0°C–40°C
Décharge (utilisation)	-10°C — 40°C
Stockage	0°C – 35°C. Humidité 5 à 65 %

- Si vous rangez votre vélo (batterie interne) ou le Range Extender pendant de longues périodes, n'oubliez pas de surveiller le niveau de charge.

Si vous avez l'intention de ranger la batterie pendant une longue période, chargez la batterie à 50 % de sa capacité et vérifiez le niveau de charge tous les 3 mois (rechargez-la jusqu'à 50 % le cas échéant). Ne laissez jamais passer le niveau de charge sous la barre des 10 %, au risque d'endommager les cellules.

**UTILISATION DE LA BATTERIE AVEC UNE CHARGE INFÉRIEURE À 10 % :** évitez de décharger complètement votre batterie avec une utilisation continue sous 10 %. Des niveaux de charge inférieurs à 10 % peuvent avoir un impact sur la longévité des cellules et l'équilibrage de la charge.

- Évitez de laisser le chargeur branché en permanence sur la batterie pendant de longues périodes et surveillez la charge afin de pouvoir débrancher le chargeur en cas d'anomalie par exemple lorsqu'il y a de la fumée, une odeur de brûler ou un incendie.

Le chargeur intelligent RS est conçu pour interrompre la charge dès que la batterie est chargée à 100 %. Vous évitez ainsi d'endommager les cellules et cela signifie que vous pouvez charger la batterie sans vous inquiéter. Cela étant, il est toujours préférable de superviser la charge afin de prévenir tout dégât provoqué par un dysfonctionnement du chargeur.

- Évitez les chocs et les chutes de la batterie interne et du Range Extender.

Si, après un accident ou un choc, le boîtier externe de la batterie semble endommagé, ne chargez pas et n'utilisez pas la batterie, et contactez votre revendeur autorisé pour un diagnostic.



- Branchez toujours les câbles dans le bon ordre. Si vous branchez les câbles sans confirmer l'ordre, vous pourriez endommager les bornes.
- Avant chaque utilisation, confirmez que le port de charge est bien fermé pour éviter l'entrée de saletés et d'eau.

N'enlevez pas les saletés ou les corps étrangers qui pourraient se trouver dans le port de charge à l'aide d'outils métalliques.

Évitez d'endommager les bornes du port de charge pendant cette procédure.

#### ATTENTION

Consultez la section « Informations pertinentes relatives aux batteries Orbea » pour obtenir de plus amples informations utiles sur l'utilisation, l'entretien et le dépannage de la batterie interne et du Range Extender.

Consultez la documentation de Shimano relative au système STEPS EP801/EP6 et à ses composants :

Mode d'emploi :

<https://si.shimano.com/fr/um/7K70A>

Manuel du revendeur :

<https://si.shimano.com/fr/dm/DUE001>

## PLUS D'INFORMATIONS SUR LES BATTERIES LI-ION DU SYSTÈME ORBEA EBIKE



Pour votre sécurité, lisez le Mode d'emploi dans sa totalité avant d'utiliser les batteries et les chargeurs du système Orbea Ebike.



Contactez Orbea ou un revendeur agréé pour obtenir toute information sur l'installation et le réglage des produits qui ne figure pas dans le mode d'emploi. Il convient de respecter à tout moment les instructions suivantes afin d'éviter de se blesser, d'endommager le matériel ou de nuire à l'environnement. Les informations fournies dans ce manuel concernent la batterie interne et le Range Extender.

### AVIS DE COMPATIBILITÉ. COMPOSANTS DU SYSTÈME ÉLECTRIQUE DE 2e GÉN.

Les composants des systèmes Orbea Ebike 2e gén. sont conçus pour garantir la compatibilité avec les moteurs électriques EP801 et 2e gén. ainsi qu'avec les composants EP6 Shimano. Les batteries internes, le Range Extender et le Smart Charger portent l'indication 2e gén. (Gen2) pour indiquer leur compatibilité avec ces systèmes.

### CONSIGNES DE SÉCURITÉ ET AVERTISSEMENTS CONCERNANT LA BATTERIE

- Utilisez uniquement le chargeur spécifique 2e génération et respectez les conditions de charge lors de la charge de la batterie. Le non-respect de cette mesure pourrait provoquer une surchauffe, une explosion ou l'incendie de la batterie.
- Ne laissez pas la batterie à proximité de sources de chaleurs telles qu'un chauffage, un véhicule ou tout endroit dangereux.
- Ne chauffez pas la batterie et ne la jetez pas au feu.
- Ne déformez pas la batterie, ne la modifiez pas, ne la démontez pas et ne la soudez pas.
- Ne connectez pas les bornes (+) et (-) et d'autres bornes avec des objets métalliques. Ne transportez pas ou ne rangez pas la batterie avec des objets métalliques tels que des colliers ou des épingles à cheveux. Cela pourrait provoquer des courts-circuits, une surchauffe, des brûlures ou d'autres blessures.
- Ne plongez pas la batterie dans de l'eau et évitez de mouiller les bornes. Le non-respect de cette mesure pourrait provoquer une surchauffe, une explosion ou l'incendie de la batterie.
- Ne percez pas ou n'écrasez pas la batterie.
- En cas de contact du liquide de la batterie, après une fuite, avec les yeux, la peau ou les vêtements, rincez abondamment la zone touchée à l'eau douce et consultez un médecin immédiatement. Le liquide de la batterie peut nuire aux yeux et à la peau.
- Si la batterie n'est pas complètement chargée après le temps de charge prévu (consultez la section relative aux caractéristiques techniques des composants du système électrique) plus 2 heures supplémentaires, débranchez la batterie du chargeur et contactez immédiatement un revendeur agréé.
- N'utilisez pas la batterie si elle présente des dommages externes.
- N'utilisez pas la batterie si elle présente une fuite, si elle est décolorée ou déformée ou si elle présente toute autre anomalie.
- Ne chargez pas la batterie dans des endroits mouillés ou très humides ou à l'extérieur.
- Ne branchez ou ne débranchez pas la batterie si elle est mouillée. Cela pourrait provoquer un choc électrique. Si de l'eau sort de la prise, séchez correctement avant de brancher le connecteur.
- Ne rangez pas la batterie dans la lumière directe du soleil, ni dans des lieux où la température est excessive (comme dans une voiture). Conservez la batterie à l'écart de la chaleur et des flammes. Cela pourrait provoquer une fuite de la batterie.
- Manipulez le produit à deux mains pour éviter les dégâts et les blessures.
- En cas d'erreur pendant l'utilisation ou la charge, arrêtez d'utiliser la batterie sur le champ et consultez le manuel de l'utilisateur. En cas de doute, consultez Orbea ou un revendeur agréé.

- Ne lavez pas la batterie au nettoyeur haute pression.
- Ne nettoyez pas la batterie ou le chargeur avec de l'alcool, des solvants ou des produits nettoyants abrasifs. Utilisez un chiffon sec ou légèrement humide.
- Surveillez les enfants afin d'éviter qu'ils ne jouent avec la batterie et le chargeur.
- En cas d'explosion de la batterie, contactez les pompiers sur le champ et retirez les autres batteries si possible en faisant attention. Évacuez immédiatement les personnes à proximité de l'incendie et éteignez les flammes à l'aide d'une quantité abondante d'eau froide (au moins 10 fois le poids de la batterie).

### CONDITIONS DE STOCKAGE DE LA BATTERIE

- Rangez les batteries en lieu sûr, à l'abri des bébés et des animaux de compagnie.
- La conservation de la batterie à des températures en dehors de la plage de températures de service peut endommager la batterie ou provoquer son incendie.
- **Plage de température de stockage : 0°C ~ 35°C. Évitez les grands écarts de température. Humidité : 5 à 65 %.**
- Si vous ne comptez pas utiliser la batterie pendant une longue période, rangez-la avec environ 50 % de sa capacité disponible. Chargez-la tous les 3 mois jusqu'à 50 % pour éviter d'endommager la batterie.
- Rangez la batterie ou les vélos équipés d'une batterie dans un espace couvert et frais (de 0 à 35°C environ) à l'abri des rayons directs du soleil ou de la pluie. Une température de rangement basse ou élevée réduit les performances de la batterie, ce qui pourrait se traduire par une réduction de l'autonomie par charge. Si vous n'avez pas utilisé la batterie pendant un certain temps, veillez à la charger avant de l'utiliser.
- Les températures supérieures à 70°C peuvent provoquer des fuites et représentent un risque d'incendie.

### CONDITIONS D'UTILISATION DES BATTERIES

- Les plages de température de service de la batterie sont indiquées ci-dessous. N'utilisez pas la batterie hors de ces plages.
- L'utilisation de la batterie à des températures hors de ces plages présente un risque d'incendie, de blessure ou de dégât.
- **N'utilisez la batterie que dans la plage de températures de décharge : -10°C à 40°C.**
- **Ne chargez la batterie que dans la plage de températures suivante : 0°C ~ 40°C.**
- Il convient de charger la batterie à température ambiante, sur une surface sèche et non-inflammable, à l'écart de toute source de chaleur ou d'humidité ou de matériaux inflammables.
- Si la charge de la batterie a lieu à basse température (0°C ou inférieure), l'autonomie disponible par charge complète diminue.
- Si vous avez l'intention de transporter la batterie, sachez que les réglementations actuelles considèrent les

batteries comme des produits dangereux. Utilisez un emballage et un transporteur agréés.

### CONDITION D'ASSEMBLAGE DE LA BATTERIE

- N'utilisez pas la batterie directement après avoir reçu la batterie ou le vélo. Confirmez que la batterie est complètement chargée avant de l'utiliser pour la première fois.
- Mettez toujours la batterie et/ou le vélo hors tension avant d'installer la batterie sur le vélo ou avant de la retirer.

### CONDITIONS DE CHARGE ET INSTRUCTIONS RELATIVES À LA SÉCURITÉ

- La batterie n'est pas complètement chargée à l'achat. Assurez-vous de charger la batterie complètement avant de rouler.
- Chargez la batterie uniquement à l'aide d'un chargeur 2e gén. d'origine .
- Mettez toujours le vélo et/ou la batterie hors tension avant de brancher le chargeur sur le port de charge ou de le débrancher.
- Assurez-vous toujours que le port de charge du vélo et les prises soient propres et secs avant de brancher le chargeur.
- N'utilisez jamais le chargeur si vous pensez qu'il est endommagé ou si vous savez qu'il est hors d'état.
- Ne démontez pas le chargeur de la batterie ou ne le modifiez pas.
- Maintenez toujours le cache du port de charge en position fermée quand vous ne chargez pas la batterie.
- N'introduisez aucun objet métallique dans le port de charge.
- Évitez de mouiller le chargeur ou de l'utiliser s'il est mouillé. Évitez de transporter ou de tenir le chargeur avec les mains mouillées pour éviter les chocs électriques.
- N'utilisez pas le chargeur lorsqu'il est couvert par un chiffon ou un autre matériau.
- Pour éviter les chocs électriques, ne touchez pas les éléments métalliques de la batterie ou du chargeur.
- Ne chargez pas la batterie à l'extérieur ou dans des environnements très humides et évitez l'exposition à la pluie et au vent.
- Pour éviter d'endommager le câble, ne transportez pas le chargeur en le tenant par le câble et évitez d'enrouler le câble autour du corps du chargeur pour le ranger.
- Ne pédalez pas et ne réalisez aucune opération qui entraîne une consommation de la batterie pendant que celle-ci charge.
- Retirez toujours le Ranger Extender avant de laver le vélo à l'eau ou avec un autre liquide.
- au moins une heure si vous souhaitez charger la batterie après avoir roulé, car la température de la batterie pourrait être trop élevée.

- Il est conseillé de charger la batterie dans une pièce équipée d'un détecteur de fumée.
- Il est déconseillé de laisser la batterie connectée en permanence au chargeur afin d'éviter d'endommager la batterie en cas de dysfonctionnement du circuit de coupure de charge.

## RECYCLAGE

- Triez les batteries, les accessoires et l'emballage en vue d'un recyclage éco-responsable.
- Les batteries lithium-ion sont des ressources précieuses et recyclables. Respectez les réglementations en vigueur dans votre région en matière de batteries usagées. En cas de doute, consultez Orbea ou un revendeur agréé.
- Ne jetez pas la batterie avec les ordures ménagères. Elle sera reçue au point de vente et mise au rebut correctement.

## CONDITIONS D'ANNULATION DE LA GARANTIE

- Chargez la batterie au moins tous les 3 mois à environ 50 % de sa capacité, même si vous n'utilisez pas le vélo.
- La garantie ne couvre pas les produits contre l'usure naturelle et la détérioration due à l'utilisation normale et au vieillissement.
- La durée de vie de la batterie varie en fonction de facteurs tels que la méthode de stockage, les conditions d'utilisation, l'environnement et les caractéristiques de chaque batterie.
- Si la batterie s'est complètement déchargée, chargez-la le plus vite possible. Si la batterie n'est pas rechargée, elle risque de se détériorer et de devenir inutilisable.
- Ne démontez pas la batterie ou d'autres pièces associées, y compris l'étiquette, car cela pourrait annuler la garantie.
- Lisez la section Garantie de ce manuel pour en savoir plus sur la garantie applicables aux produits Orbea et la procédure de réclamation de garantie.

## AUTONOMIE

Les moteurs électriques Shimano EP600 et EP801 et les batteries du système Orbea Ebike associées ont été mis au point pour fournir la plus grande autonomie possible pour ce système de petite taille et de poids réduit.

L'autonomie disponible varie énormément en fonction des facteurs suivants :

- **Mode d'assistance** : plus le niveau d'assistance est élevé, plus l'autonomie disponible diminue.
- **Profil d'assistance** : le profil d'assistance sélectionné via l'application Shimano E-Tube Project aura un impact sur l'autonomie disponible. La sélection du profil d'assistance 2 signifie une augmentation de la puissance de chacun des modes d'assistance, ce qui peut avoir un impact sur l'autonomie.

- **Personnalisation des modes d'assistance** : l'autonomie approximative tient compte des valeurs de puissance de chacun des modes d'assistance en fonction des paramètres d'origine définis par Orbea. La personnalisation de la puissance mise à disposition de chaque mode dans l'application Shimano E-Tube Project aura un impact sur l'autonomie finale de la batterie.
- **Température** : la charge et l'utilisation de la batterie par températures froides réduira l'autonomie par charge.
- **Poids du cycliste et de son matériel/bagages.**
- **Intensité du pédalage du cycliste.**
- **Terrain et relief** : l'utilisation sur sol meuble et en montée aura un impact sur l'autonomie disponible par charge.
- Des arrêts et des démarrages fréquents peuvent avoir un impact sur l'autonomie disponible.

## TRANSPORT DES BATTERIES DES VÉLOS À ASSISTANCE ÉLECTRIQUE

La batterie interne Orbea et la batterie externe Range Extender doivent être transportées dans le respect des réglementations en vigueur et à l'aide des modes de transport autorisés pour ces articles. Les unités doivent toujours être transportées ou expédiées dans l'emballage autorisé d'origine et par un transporteur agréé. Renseignez-vous sur la manutention et les conditions de transport de ce genre d'article dans votre pays.

Si vous devez envoyer le Range Extender ou la batterie interne à Orbea pour une réparation ou un diagnostic, il faut utiliser l'emballage d'origine autorisé et un transporteur qualifié pour le transport de batteries. Orbea peut vous fournir des informations sur la meilleure option.

Si vous avez besoin de la fiche de données de sécurité des batteries Orbea pour le transport ou si le transporteur exige cette documentation, contactez Orbea qui vous fera parvenir les informations requises.

## TRANSPORT DES VÉLOS À ASSISTANCE ÉLECTRIQUE

Si vous avez l'intention de voyager avec votre vélo à assistance électrique, renseignez-vous sur les conditions de transport des batteries ou de la batterie installée dans des vélos à assistance électrique auprès de la compagnie aérienne que vous comptez utiliser pour le transport de votre vélo. La majorité des compagnies aériennes n'autorise pas le transport de batteries dont la capacité est supérieure à 100 Wh.

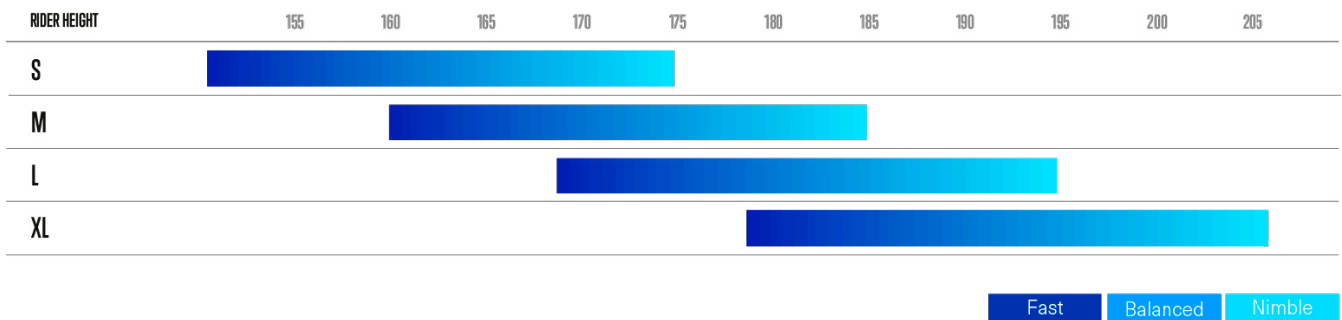
Si vous avez besoin de la fiche de données de sécurité des batteries Orbea pour le transport ou si le transporteur exige cette documentation, contactez Orbea qui vous fera parvenir les informations requises.



## ERGONOMIE

Le tube de selle Steep and Deep permet d'utiliser des tiges de selle télescopique à grand débattement sur toutes les tailles de cadre. Vous bénéficiez ainsi d'un plus grand choix de tailles tout en sachant que la hauteur de selle sera toujours correcte (consultez le tableau des hauteurs maximales et minimales de tige de selle télescopique dans cette section).

Un cadre affichant un reach plus court est plus agile et maniable, tandis qu'un cadre au reach plus long affichera une stabilité supérieure à grande vitesse. Choisissez la taille qui correspond le mieux à vos besoins.



\* Les valeurs du tableau sont présentées à titre d'orientation uniquement. La meilleure manière de trouver la taille de cadre qui vous convient est d'essayer un vélo chez uns de nos revendeurs autorisés.

## HAUTEUR DE SELLE MINIMALE ET MAXIMALE AVEC UNE TIGE DE SELLE TÉLESCOPIQUE

Le tableau ci-dessous reprend les hauteurs maximale et minimale (en millimètres) autorisées avec la tige de selle télescopique en extension pour chaque taille de cadre.

La hauteur maximale fait référence à la hauteur de la selle avec la tige de selle installée à son insertion minimale, définie par la tige de selle.

La hauteur minimale fait référence à la hauteur de la selle avec la tige de selle installée à son insertion maximale, définie par la tige de selle.

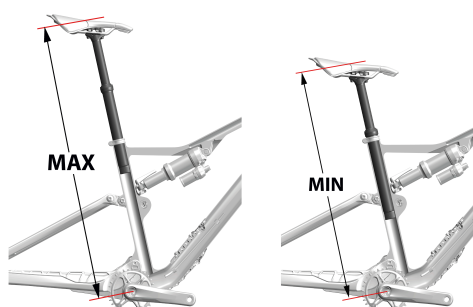
Les hauteurs maximale et minimale sont communiquées uniquement pour les options de tiges de selle télescopiques et de selle proposées par Orbea pour un cadre en particulier. Pour connaître ces valeurs en cas d'utilisation d'une autre tige de selle télescopique, consultez les caractéristiques techniques fournies par le fabricant de cette tige de selle ainsi que les valeurs d'insertion maximales dans le cadre reprises dans les caractéristiques techniques de ce manuel.

### ATTENTION

Les valeurs dans le tableau suivant définissent la distance entre le centre de la coquille du boîtier de pédalier et le milieu de la partie supérieure de la selle (modèles de selle utilisés par Orbea)

Les valeurs peuvent changer de +/-5 mm en fonction de la hauteur des différents modèles de selle proposés sur le marché. Si la hauteur de votre selle affiche une différence inférieure à 5 mm, il est possible d'adapter cette hauteur en utilisant un autre modèle de selle disponible dans le commerce.

Si la hauteur de votre selle affiche une différence supérieure à 5 mm, il faudra choisir une tige de selle télescopique dont le débattement est plus long ou plus court.



## CADRE/TAILLE

MODÈLE DE TIGE DE SELLE TÉLESCOPIQUE	HAUTEUR DE LA SELLE EN EXTENSION	RISE H (S)	RISE H (M)	RISE H (L)	RISE H (XL)
OC DP-MC21 31,6x390 mm 125 mm Drop	Hauteur de selle maximale (mm)	760*	770*	780*	815*
	Hauteur de selle minimale (mm)	630*	640*	650*	685*
OC DP-MC21 31,6x440mm 150 mm Drop	Hauteur de selle maximale (mm)	805*	820*	830*	860*
	Hauteur de selle minimale (mm)	655*	670*	675*	710*
OC DP-MC21 31,6x480mm 170 mm Drop	Hauteur de selle maximale (mm)	850*	865*	870*	905*
	Hauteur de selle minimale (mm)	675*	690*	695*	730*
OC DP-MC21 31,6x550mm 200 mm Drop	Hauteur de selle maximale (mm)	885*	900*	820*	940*
	Hauteur de selle minimale (mm)	720*	715*	725*	755*
OC DP-MC21 31,6x610mm 230 mm Drop	Hauteur de selle maximale (mm)	900*	910*	850*	955*
	Hauteur de selle minimale (mm)	780*	775*	770*	790*
Fox Transfer SL 31,6x455 mm 125 mm Drop	Hauteur de selle maximale (mm)	825*	840*	850*	885*
	Hauteur de selle minimale (mm)	635*	645*	660*	690*
Fox Transfer SL 31,6x363 mm 125 mm Drop	Hauteur de selle maximale (mm)	720*	730*	740*	775*
	Hauteur de selle minimale (mm)	620*	630*	645*	675*
Fox Transfer 31,6x418 mm 150 mm Drop	Hauteur de selle maximale (mm)	770*	785*	795*	825*
	Hauteur de selle minimale (mm)	640*	655*	665*	700*
Fox Transfer 31,6x475 mm 175 mm Drop	Hauteur de selle maximale (mm)	830*	845*	850*	885*
	Hauteur de selle minimale (mm)	670*	685*	690*	725*
Fox Transfer 31,6x530,7 mm 200 mm Drop	Hauteur de selle maximale (mm)	835*	850*	855*	890*
	Hauteur de selle minimale (mm)	715*	710*	715*	750*
Fox Transfer 2025 31,6x411 mm-150 mm Drop	Hauteur de selle maximale (mm)	765*	775*	790*	820*
	Hauteur de selle minimale (mm)	645*	655*	670*	700*
Fox Transfer 2025 31,6x476 mm-180 mm Drop	Hauteur de selle maximale (mm)	830*	840*	855*	885*
	Hauteur de selle minimale (mm)	670*	680*	695*	730*
Fox Transfer 2025 31,6x541 mm-210 mm Drop	Hauteur de selle maximale (mm)	895*	905*	920*	950*
	Hauteur de selle minimale (mm)	735*	735*	735*	760*
Fox Transfer 2025 31,6x611-230 mm Drop	Hauteur de selle maximale (mm)	965*	975*	995*	1020*
	Hauteur de selle minimale (mm)	805*	805*	785*	805*

\* Les mesures peuvent varier de +/-5 mm en fonction de la hauteur du modèle de selle.

## CARACTÉRISTIQUES TECHNIQUES DU CADRE

	RISE H SL	RISE H LT
<b>MATÉRIAU</b>		
Triangle avant	Té double ou triple en aluminium hydroformé	
Bras oscillant	Té double ou triple en aluminium hydroformé	
Biellettes	Aluminium	
Rallonge de biellettes	Aluminium	Aluminium
USAGE RECOMMANDÉ	Trail, All Mountain. ASTM Catégorie 4	
TAILLES DISPONIBLES	S, M, L, XL	
SYSTÈME DE SUSPENSION	Pivot Orbea Concentric Boost 2	
ATTITUDE ADJUST	Non	Oui. Rallonge d'amortisseur à système Flip Chip bas-haut
DÉBATTEMENT DE FOURCHE	140 mm	160 mm
LONGUEUR DE FOURCHE MAXIMALE (HAUTEUR DE FOURCHE)	575 mm	
DÉPORT DE FOURCHE	44 mm	
DÉBATTEMENT ARRIÈRE	140 mm	150 mm
DIMENSIONS D'AMORTISSEUR (D'ŒILLET À ŒILLET/DÉBATTEMENT)	Métrique. 210x50 mm	Métrique. 210x55 mm
<b>PIÈCES D'AMORTISSEUR</b>		
Avant (cadre)	8x24,892 mm	
Arrière (rallonge d'amortisseur)	8x16,46 mm	
COMPATIBILITÉ AVEC LES AMORTISSEURS À RESSORT	Oui*	
COMPATIBILITÉ AVEC AMORTISSEUR FOX FLOAT X2	Non	
SAG RECOMMANDÉ	25-30 %	
JEU DE DIRECTION STANDARD	Orbea ICR HS02 SIC (Sealed Internal Cabling - Acheminement interne des câbles scellés) sans SpinBlock	
ROULEMENTS DE JEU DE DIRECTION	Supérieur : 1" 1/2 (avec un adaptateur 1-1/2" vers 1-1/8" pour le câblage interne) Inférieur : 1"-1/2	
ENTRETOISES DE JEU DE DIRECTION	HS02 exclusif Consultes les sections relatives au jeu de direction et à la potence	
NOMBRE MAXIMUM D'ENTRETOISES DE JEU DE DIRECTION	Sous la potence : 30 mm	
BOÎTIER DE PÉDALIER	Axe de moteur électrique Shimano EP801/EP6	

	RISE H SL	RISE H LT
LIGNE DE CHAÎNE		55 mm
TAILLE DE ROUE		29"
COMPATIBLE AVEC MULLET		Non
TAILLE MAXIMALE DU PNEU ARRIÈRE		29 x 2,5"
LARGEUR MAXIMALE DU PNEU AVANT	Varie en fonction de la fourche 29 x 2,5" sur les modèles assemblés par Orbea	
PATTE DE DÉRAILLEUR	Rondelle Sram UDH (patte de dérailleur universel) 30 mm	
COMPATIBLE AVEC SRAM E-TYPE		Oui
PATTES ARRIÈRE STANDARDS		Boost 12x148 mm
MESURES AXE ARRIÈRE		12x184 mm
PAS DE VIS D'AXE ARRIÈRE		1.0 mm
LONGUEUR DE FILET D'AXE ARRIÈRE		15 mm
AXE DE ROUE AVANT	Varie en fonction du modèle de fourche	
DIAMÈTRE DE TIGE DE SELLE		31,6 mm
DIAMÈTRE DE COLLIER DE TIGE DE SELLE		34,9 mm
INSERTION MAXIMALE DE TIGE DE SELLE		S : 295 mm M : 312 mm L : 320 mm XL : 354 mm
COMPATIBLE AVEC ACHEMINEMENT INTERNE DES CÂBLES DE TIGE DE SELLE TÉLESCOPIQUE		Oui
DÉRAILLEUR AVANT	Nbre de Monoplateau uniquement	
PLATEAUX COMPATIBLES	Avec essieu cannelé Shimano EP8/EP801/EP6. Ligne de chaîne de 55 mm	
TAILLE DE PLATEAU MAXIMALE		34 DTS
TAILLE DE PLATEAU MINIMALE		30 dents
COMPATIBLE AVEC PLATEAU OVAL		Non
GUIDE-CHAÎNE	Oui. Guide-chaîne pour moteur électrique Shimano E8000-EP8-EP801-EP6 Guide-chaîne 55 mm	
ICGS		Non
MANIVELLES COMPATIBLES	Manivelles pour moteur électrique Shimano EP8/EP801/EP6	
Q-FACTOR		(EP801-EP6) 177 mm
LONGUEUR DE MANIVELLE		165-175 mm
COMPATIBILITÉ DE LA TRANSMISSION	11 et 12 vitesses (monoplateau) MTB Boost. Ligne de chaîne de 55 mm.	
COMPATIBLE AVEC Di2	Oui. Shimano XT RD-M8150 Connecté au moteur électrique (cf.section relative à la connexion à Etube Professional)	
COMPATIBLE AVEC SRAM AXS		Oui
TYPE DE FREIN	Disque. Post Mount**	



	RISE H SL	RISE H LT
<b>TAILLE MAXIMALE DU DISQUE DE FREIN ARRIÈRE</b>	203 mm	
<b>TAILLE MINIMALE DU DISQUE DE FREIN ARRIÈRE</b>	180 mm	
<b>TAILLE MAXIMALE/MINIMALE DU DISQUE DE FREIN AVANT</b>	En fonction du modèle de fourche Fox 34 : 180–203 mm Fox 34 AWL : 160–203 mm Fox 36 : 180–230 mm Fox 36 AWL HD : 160–230 mm	
	<b>SIC (Sealed Internal Cabling)</b>	
	<b>Frein et dérailleur arrière</b> : interne via jeu de direction, tube diagonal et bases arrière. Gaines intégrales.	
<b>CÂBLAGE</b>	<b>Frein avant</b> : externe	
	<b>Tige de selle télescopique</b> : interne via jeu de direction, tube diagonal et tube de selle. Gaines intégrales.	
	<b>Système Ebike</b> : câblage interne complet	
<b>COMPATIBLE AVEC CÂBLAGE DE FREIN ARRIÈRE GAUCHE</b>	Oui	
<b>PORTE-BIDON</b>	1. Toutes les tailles de cadre : Porte-bidon standard ou fixation Range Extender 210 Wh	
<b>OUTILLAGE</b>	Outil MT-20 sur essieu de biellette (en option) Came d'axe de roue Allen 6 mm	
<b>MOTEURS COMPATIBLES</b>	Shimano EP801 RS/EP6 RS	
<b>ANGLE DE POSE DU MOTEUR ÉLECTRIQUE</b>	13°	
<b>BATTERIES INTERNES DU SYSTÈME ORBEA EBIKE COMPATIBLES</b>	420 Wh 2e Gén. 630 Wh 2e Gén.	
<b>RANGE EXTENDER DU SYSTÈME ORBEA EBIKE COMPATIBLES</b>	210 Wh 2e Gén.	
<b>INSTALLATION DE L'AIMANT DU CAPTEUR DE VITESSE</b>	Sur le disque de frein arrière***	
<b>COMPATIBLE AVEC LES CAPTEURS DE PUISSANCE</b>	Non	
<b>COMPATIBLE AVEC PORTE-BAGAGES</b>	Non	
<b>COMPATIBLE AVEC GARDE-BOUE FIXE</b>	Non	
<b>COMPATIBLE AVEC SIÈGE POUR ENFANT</b>	Non	
<b>COMPATIBLE AVEC REMORQUE</b>	Non	
<b>POIDS MAXIMUM RECOMMANDÉ (cycliste+équipement+bagage)</b>	Consultez le document intitulé Poids maximum recommandés pour les produits Orbea sur notre site Web	

\* Tous les amortisseurs à ressort du marché ne sont pas compatibles avec le cadre Rise. Tous les assemblages définis par Orbea ont été vérifiés. Pour les assemblages après-vente, vérifiez les dimensions et les tolérances avant l'achat.

\*\*Tous les étriers et disques de frein disponibles sur le marché ne sont pas compatibles avec tous les cadres. Tous les assemblages définis par Orbea ont été vérifiés. Pour les assemblages après-vente, vérifiez les dimensions et les tolérances avant l'achat.

\*\*\*FREINS À DISQUE COMPATIBLES : consultez la section Composants du circuit électrique pour connaître les options de freins à disque compatibles.

## CARACTÉRISTIQUES TECHNIQUES SHIMANO EP801 ET EP600

### ATTENTION

En règle générale, les composants Shimano montés sur le Rise 2025 de 2e génération ne sont pas compatibles avec les composants de 1re génération. Consultez [ici](#) les informations de compatibilité dans la documentation du fabricant. Consultez le manuel du système EP801/EP6 Shimano [ici](#). Rappelez-vous que les batteries du système Ebike 2e gén. et le micrologiciel du moteur RS sont exclusifs à Orbea.

UNITÉ DE TRANSMISSION	SHIMANO DU-EP801 RS	SHIMANO DU-EP6-RS
PUISSANCE NOMINALE	250 W	
TENSION	36 V	
TYPE	Courant continu sans balais	
COUPLE MAXIMAL	85 Nm	
VITESSE MAXIMALE	EU : 25 Km/h US E-Bikes Classe 1 : 20 Mph	
POIDS	2,7 kg	3,0 kg
PROFILS D'ASSISTANCE	2 (RS/RS+) Sélectable via l'application E Tube Project ou l'écran Modifiable à l'aide de l'application Etube Project	
NIVEAUX D'ASSISTANCE (POUR CHAQUE PROFIL)	MODE BASIC : 3 (ECO, TRAIL, BOOST) Peut être modifié à l'aide de l'application Etube Project MODE FINE TUNE : JUSQU'À 15 (ECO, TRAIL, BOOST) Peut être modifié à l'aide de l'application Etube Project	
ASSISTANCE À LA MARCHÉ	Oui	
NORME POUR CÂBLE STEPS/Di2	EW-SD300	
CONNEXION DES FEUX	Pas sur le Rise Reportez-vous à la section consacrée à la connexion à E-Tube Professional	
ANGLE DE POSE SUR LE RISE	13°	
UNITÉ DE CONTACTEUR D'ASSISTANCE	SHIMANO SW-EN600-L 2e gén.	
FONCTIONS	Mise du vélo hors tension/sous tension Modification du niveau d'assistance électrique Activation de l'assistance à la marche Navigation dans les pages de l'écran Shimano (option de montage)	
MONTAGE	Guidon (diamètre de collier 22,2 mm)	
NORME POUR CÂBLE STEPS/Di2	EW-SD300	
CONNECTIVITÉ	Bluetooth LE (applications Shimano Etube Project/Shimano Ride) ANT Private	
ALLUMAGE ET COUPURE DES FEUX	Pas actif sur le Rise	
MANUEL DU FABRICANT	<a href="https://si.shimano.com/fr/dm/SCSW002">https://si.shimano.com/fr/dm/SCSW002</a>	

**ÉCRAN (en option)****SHIMANO SC-EN600****FONCTIONS**

Consultez les informations du fabricant :  
<https://bike.shimano.com/fr-FR/product/component/ep6-ep600/SC-EN600.html>

**MONTAGE**

Sur le guidon (attache de 35 mm)  
Sur la potence OC MC11 : fixation spécifique

**NORME POUR CÂBLE STEPS/Di2**

EW-SD300

**MANUEL DU FABRICANT**<https://si.shimano.com/fr/um/7JD0A>**CÂBLAGE****SHIMANO EW-SD300****CAPTEUR**

EW-SS301 760 mm  
Fixé sur la base arrière gauche. Câblage interne

**AIMANT**

Sur le disque de frein arrière.

**CONNECTEURS**

EW-JC302/EWJC304 Selon la fixation  
À l'intérieur du guidon

**NORME POUR CÂBLE STEPS/Di2**

EW-SD300

## CARACTÉRISTIQUES TECHNIQUES DU SYSTÈME E-BIKE ORBEA 2E GÉN.

### ATTENTION

Vérifiez [ici](#) la compatibilité des composants du système Orbea Ebike avec les modèles Orbea ebike.

#### BATTERIE INTERNE ORBEA 420 Wh 2e GÉN.

TENSION	36 V
CAPACITÉ	420 Wh
POIDS	Environ 1.96 kg
CELLULES	Lithium ion. LG INR21700M58T
TEMPS DE CHARGE 100 % (4A) Avec chargeur Smart Charger RS 2e gén.	3,5 heures
TEMPS DE CHARGE 80 % (4A) Avec chargeur Smart Charger RS 2e gén.	2 heures
MONTAGE	Interne. Dans le tube diagonal. L'utilisateur ne peut pas l'enlever.
CONNEXION	Faisceau de câbles vers le moteur électrique et le port de charge
ÉTANCHÉITÉ	IPX6
CERTIFICATIONS	ISO13849 > ISO13849-1:2015 IEC62133 > IEC62133:2017 UN 38.3 Corée : KC XU103387-24002 US (UL) SGS 802543
COMPATIBILITÉ	Compatible avec les systèmes Orbea Ebike 2e génération sur les modèles Orbea dotés d'un moteur électrique Shimano EP801/EP6. <a href="#">Consultez le tableau de compatibilité</a>



#### BATTERIE INTERNE ORBEA RS 630 Wh 2e génération

TENSION	36 V
CAPACITÉ	630 Wh
POIDS	Environ 2,88 kg
CELLULES	Lithium ion. LG INR21700M58T
TEMPS DE CHARGE 100 % (4A) Avec chargeur Smart Charger RS 2e gén.	5 heures
TEMPS DE CHARGE 80 % (4A) Avec chargeur Smart Charger RS 2e gén.	3 heures
MONTAGE	Interne. Dans le tube diagonal. L'utilisateur ne peut pas l'enlever.



**BATTERIE INTERNE ORBEA RS 630 Wh 2e génération**

<b>CONNEXION</b>	Faisceau de câbles vers le moteur électrique et le port de charge
<b>ÉTANCHÉITÉ</b>	IPX6
<b>CERTIFICATIONS</b>	ISO13849 > ISO13849-1:2015 IEC62133 > IEC62133:2017 UN 38.3 Corée : KC XU103387-24001 US (UL) SGS 802543
<b>COMPATIBILITÉ</b>	Compatible avec les systèmes Orbea Ebike 2e génération sur les modèles Orbea dotés d'un moteur électrique Shimano EP801/EP6 . <a href="#">Consultez le tableau de compatibilité</a>

**BATTERIE EXTERNE RANGE EXTENDER RS 210 WH 2e GÉN.**

<b>TENSION</b>	36 V
<b>CAPACITÉ</b>	210 Wh
<b>POIDS</b>	Environ 1,03 kg
<b>CELLULES</b>	Lithium ion. LG INR21700M58T
<b>TEMPS DE CHARGE 100 % (2A)</b> Avec chargeur Smart Charger RS 2e gén.	3 heures
<b>TEMPS DE CHARGE 80 % (2A)</b> Avec chargeur Smart Charger RS 2e gén.	2 heures
<b>MONTAGE</b>	Porte-bidon spécial sur tube diagonal
<b>CONNEXION</b>	Câble Rise spécifique de 120 mm
<b>ÉTANCHÉITÉ</b>	IPX6
<b>CERTIFICATIONS</b>	ISO13849 > ISO13849-1:2015 IEC62133 > IEC62133:2017 UN 38.3 Corée : KC XU103387-24003 US (UL) SGS 802543
<b>COMPATIBILITÉ</b>	Compatible avec les systèmes Orbea MC Ebike 2e Gén. Uniquement le Rise et l'Urrun à partir de l'année modèle 2025 <a href="#">Cf. le tableau de compatibilité</a>

**CHARGEUR INTELLIGENT 2e gén. RS 2A-4A**

<b>ENTRÉE</b>	100-240 V. 50-60 Hz. CA
<b>SORTIE</b>	42 V 4 A CC
<b>COURANT DE CHARGE DE BATTERIE INTERNE</b>	4 A
<b>COURANT DE CHARGE DE RANGE EXTENDER RS 210 Wh</b>	2A



**CHARGEUR INTELLIGENT 2e gén. RS 2A-4A**

Le chargeur Smart Charger RS reconnaît la batterie à laquelle il est connecté et adapte le courant de charge.

**PLAGE DE TEMPÉRATURE POUR LA CHARGE**

0 à 40°C

**AFFICHAGE DE LA CHARGE**

DEL pour le processus de charge et les erreurs

**CERTIFICATIONS**

CB: IEC60335-1, IEC60335-2-29 EC: EN60335-1, EN60335-2-29  
RCM, SAA: AS/NZS 60335.2.29  
UKCA: BS/EN60335-1, BS/EN60335-2-29  
FCC: FCC PART 15B  
IC: ICES-003-Issue 7  
CE: UKCA: EN55014-1/2, EN610003-3/2  
C-TICK: AS/NZS CISPR 14.1

**COMPATIBILITÉ**

Compatible avec les systèmes Orbea Ebike 2e gén.  
sur les modèles Orbea dotés d'un moteur électrique Shimano EP801/EP6 à partir de l'année modèle 2023  
[Cf. tableau de compatibilité](#)

**CÂBLAGE ORBEA RS 2e Gén.****FAISCEAU DE CÂBLES RISE 2025**

Connexion Batterie interne - port de charge - moteur électrique  
Protocole de communication : Shimano STEPS 2e gén.  
Étanchéité : IP66  
Compatibilité : Rise à partir de l'année-modèle 2025  
[Voir tableau de compatibilité](#)

## 08 UTILISATION DU RISE

Cette section décrit l'utilisation de base du système Shimano STEPS EP801/EP6 sur le Rise et aborde les fonctionnalités unique du système EP801RS/EP6 RS d'Orbea.

Consultez également le manuel de l'utilisateur du système Shimano EP801 disponible à l'adresse <https://si.shimano.com/es/um/7K70A>

### ATTENTION

L'ensemble des manuels destinés aux utilisateurs et aux revendeurs de composants Shimano sont accessibles à l'adresse suivante : <https://si.shimano.com/es/> Saisissez le nom du composant dans le champ de recherche pour accéder au manuel de l'utilisateur ou du revendeur, aux pièces détachées, etc.

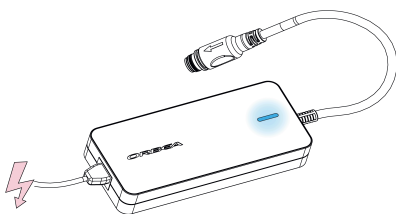
## CHARGE DE LA BATTERIE INTERNE

### ATTENTION

Effectuez une charge complète de la batterie interne ou du Range Extender avant d'utiliser le vélo pour la première fois.

## BATTERIES INTERNES ORBEA RS 630 WH 2E GÉN. ET 420 WH 2E GÉN.

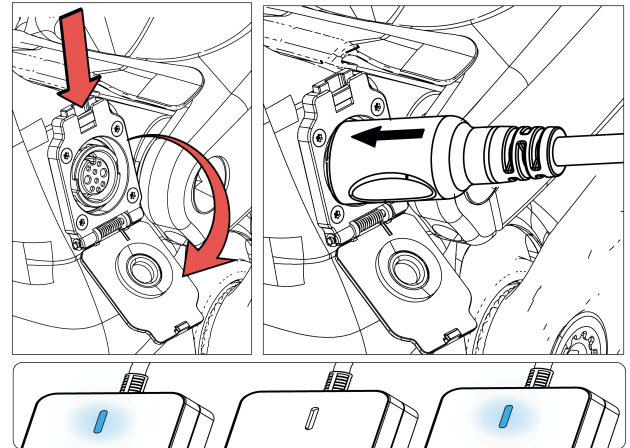
Pour charger la batterie interne, branchez le chargeur sur une prise d'alimentation. La DEL du chargeur clignote en bleu lorsque le chargeur n'est pas connecté au vélo.



Ouvrez le cache du port de charge du Rise et branchez le chargeur en alignant correctement le connecteur sur le port de charge.

Alignez correctement les broches du chargeur sur celles du point de charge afin d'éviter d'endommager les composants.

La DEL du chargeur s'allume en bleu pendant 2 secondes puis commence à s'allumer puis à s'atténuer progressivement jusqu'à ce que la charge de la batterie soit terminée.



Vous ne pouvez pas mettre le vélo sous tension lorsque le chargeur est branché sur le port de charge.

Si vous souhaitez connaître le pourcentage exact de charge restante, débranchez le chargeur du port de charge, mettez le vélo sous tension et vérifiez le niveau de charge sur la commande à distance SW-EN600-L ou l'écran ou connectez le vélo à aux applications Orbea RS Toolbox (Garmin) ou Shimano Etube Project Cyclist (smartphones) pour voir le niveau de charge de la batterie

### ATTENTION

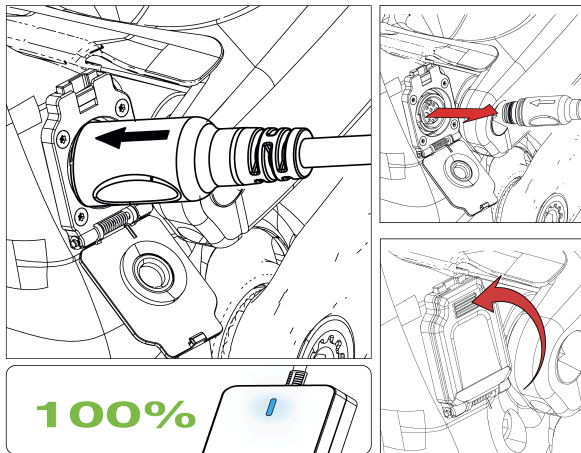
Si la DEL du chargeur s'allume en rouge lorsque le chargeur est branché sur une prise ou pendant la charge, cela indique la présence d'un problème.

Débranchez immédiatement le chargeur et consultez la procédure de recherche de pannes consacrée au chargeur dans ce manuel. Si le problème persiste, contactez un revendeur Orbea agréé.



Quand la batterie est complètement chargée, la DEL du chargeur s'allume à nouveau en bleu.

Débranchez le chargeur du port de charge en tirant doucement sur le connecteur du chargeur. Assurez-vous que le cache du port de charge est correctement fermé

**ATTENTION**

Évitez de maintenir régulièrement la charge à un niveau inférieur à 10 %

Évitez de laisser le chargeur branché en permanence sur la batterie pendant de longues périodes et surveillez la charge afin de pouvoir débrancher le chargeur en cas d'anomalie par exemple lorsqu'il y a de la fumée, une odeur de brûler ou un incendie.

Le chargeur intelligent est conçu pour interrompre la charge dès que la batterie est chargée à 100 %. Vous évitez ainsi d'endommager les cellules et cela signifie que vous pouvez charger la batterie sans vous inquiéter. Cela étant, il est toujours préférable de superviser la charge afin de prévenir tout dégât provoqué par un dysfonctionnement du chargeur

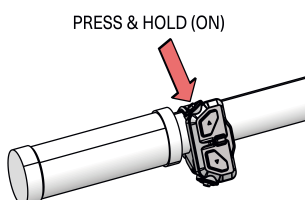
Les batteries lithium sont sensibles à la température pendant la charge. Respectez toujours les plages de températures décrites dans ce manuel pour la charge, la décharge et le rangement.

## BATTERIE EXTERNE RANGE EXTENDER 210 WH 2E GÉN.

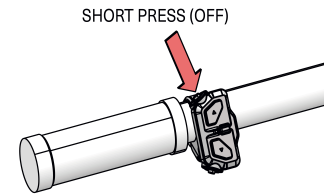
Consultez la section spécifique sur la batterie externe Range Extender 210 Wh RS 2e gén. pour en savoir plus sur le processus de charge et l'affichage du niveau de charge du Range Extender.

## MISE SOUS TENSION/HORS TENSION DU RISE

Pour mettre le vélo sous tension, appuyez pendant 2 secondes sur la télécommande SW-EN600-L jusqu'à ce que le niveau de charge de la batterie apparaisse sur la DEL supérieure.



Pour mettre le vélo hors tension, appuyez pendant une demi-seconde sur la télécommande SW-EN600-L jusqu'à ce que les DEL de la commande à distance s'éteignent.



## AFFICHAGE DU NIVEAU DE CHARGE DE LA BATTERIE

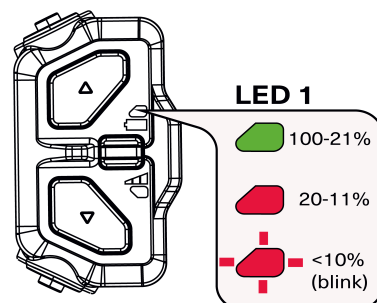
Le niveau de charge de la batterie du vélo peut s'afficher de plusieurs manières, en fonction de l'option de montage choisie.

**ATTENTION**

Si le vélo est doté d'un système Range Extender, le système calcule la capacité combinée des deux batteries (batterie interne et Range Extender). Le niveau de charge affiché à l'aide des méthodes ci-dessous correspondra au niveau de charge restante des deux batteries combinées, en tenant compte de la capacité totale du système. Consultez la section spécifique de ce manuel concernant le Range Extender pour en savoir plus sur le comportement du Range Extender et l'affichage du niveau de charge global.

## TÉLÉCOMMANDE SW-EN600-L

Quand le vélo est sous tension, la DEL 1 de la télécommande SW-EN600-L affiche le niveau de charge de la ou des batteries.



Le manuel de la télécommande SW-EN600-L est accessible à l'adresse suivante :

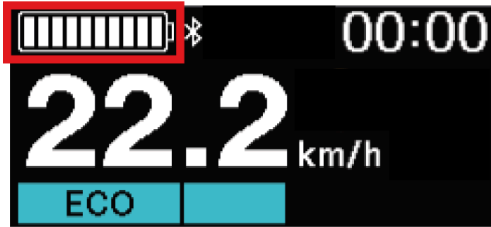
<https://si.shimano.com/es/um/ONMOA>

## ÉCRAN SC-EN600

S'agissant des assemblages dotés d'un écran SC-EN600, le niveau de charge de la ou des batteries s'affiche à l'écran.



Le niveau de la ou des batteries est affiché selon 10 niveaux. Quand la charge est égale ou inférieure à 10 %, la valeur est affichée en rouge.



Le manuel de l'utilisateur de l'écran Shimano SC-EN600 est accessible à l'adresse suivante :

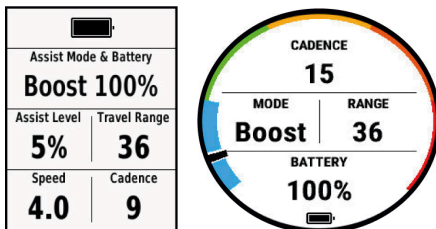
[https://si.shimano.com/fr/manual/search?input\\_model=sc-en600](https://si.shimano.com/fr/manual/search?input_model=sc-en600)

## DISPOSITIFS GARMIN COMPATIBLES. ORBEA RS TOOLBOX

L'application Orbea RS Toolbox vous permet d'afficher les données pertinentes des vélos Orbea sur les moteurs électriques EP8/EP801/EP6 Shimano, y compris le niveau de charge de la ou des batteries sous forme de pourcentage.

Consultez le manuel de l'application Orbea RS Toolbox pour les appareils Garmin en cliquant sur le lien suivant :

[Mode d'emploi d'Orbea RS Toolbox](#)



## BATTERIES ORBEA RS 2E GÉNÉRATION

### • Batterie interne

La batterie interne ne possède aucune DEL pour afficher le niveau de charge. Pour voir le niveau de charge de la batterie interne, il faut que celle-ci soit connectée au système d'assistance électrique de sorte que le niveau de charge puisse être vérifié à l'aide des méthodes décrites ci-dessus.

### • Range Extender 210 Wh

Appuyez une fois sur le bouton principal du Range Extender pour connaître le niveau de charge. Les DEL s'allument pendant 5 secondes par intervalle de 25 % de droite à gauche pour indiquer le niveau de charge actuel.

### ATTENTION

Consultez la section spécifique sur la batterie externe Range Extender 210 Wh RS 2e gén. pour en savoir plus sur le processus de charge et l'affichage du niveau de charge du Range Extender.

## MODIFICATION DU NIVEAU D'ASSISTANCE

### TÉLÉCOMMANDE SW-EN600-L

Pour modifier le mode d'assistance à l'aide du contacteur d'assistance SW-EN600-L, appuyez sur le bouton X afin d'augmenter le niveau d'assistance jusqu'au niveau maximum disponible (Boost).

Appuyez sur le bouton Y pour réduire le niveau d'assistance jusqu'à l'absence d'assistance au pédalage électrique.

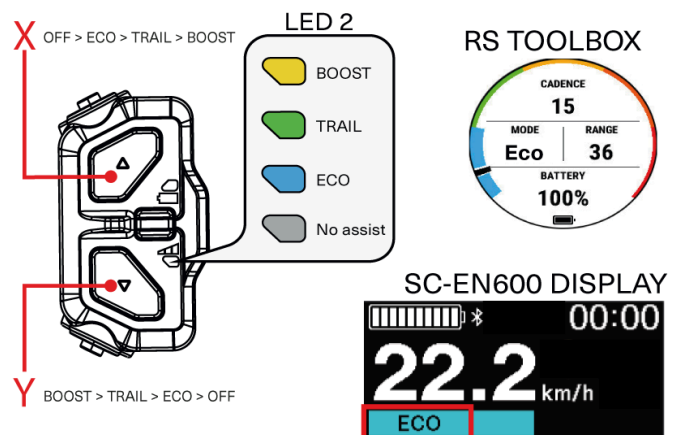
Voici les modes d'assistance disponibles :

- OFF (pas d'assistance au pédalage électrique)
- ECO
- TRAIL
- BOOST

Quand le mode d'assistance change, la couleur de la DEL2 du contacteur change pour indiquer le nouveau niveau d'assistance. Sur les modèles avec écran, le nom du nouveau niveau d'assistance s'affiche.

L'application Garmin Orbea RS Toolbox affiche également le niveau d'assistance sélectionné sur l'écran. Consultez le manuel de l'application Orbea RS Toolbox pour les appareils Garmin en cliquant sur le lien suivant :

[Mode d'emploi d'Orbea RS Toolbox](#)

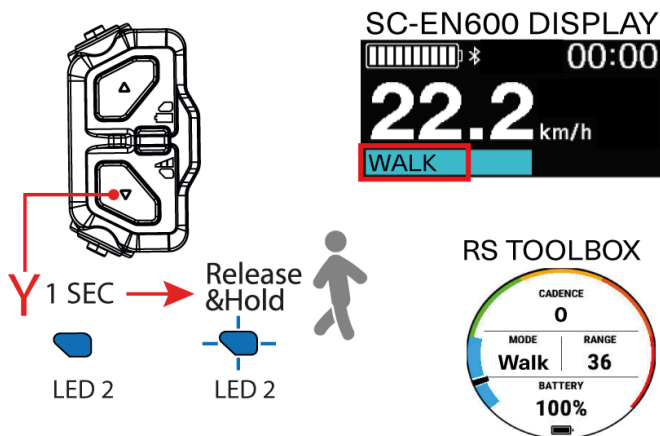


### ASSISTANCE À LA MARCHÉ

Pour activer le mode d'assistance à la marche, maintenez le bouton Y de l'unité de contacteur SW-EN600-L enfoncé pendant 1 seconde jusqu'à ce que la DEL 2 de la télécommande devienne bleue.

Relâchez le bouton Y sur la télécommande et appuyez à nouveau dessus pour activer l'assistance à la marche. Le mode d'assistance à la marche est actif tant que vous maintenez le bouton Y enfoncé sur le commutateur d'assistance. Quand le mode d'assistance est activé, la DEL de la commande clignote en bleu.

Pour désactiver le mode d'assistance WALK, appuyez sur le bouton X de la télécommande.



Le manuel de la télécommande SW-EN600-L est accessible à l'adresse suivante :

<https://si.shimano.com/fr/manual/search?model=SW-EN600-L>

Le manuel de l'utilisateur de l'écran Shimano SC-EN600 est accessible à l'adresse suivante :

[https://si.shimano.com/fr/manual/search?input\\_model=sc-en600](https://si.shimano.com/fr/manual/search?input_model=sc-en600)

## PROFILS D'ASSISTANCE. RS/RS+

Les moteurs EP801RS et EP6RS offrent 2 profils d'assistance pour tirer le meilleur parti du Rise en toutes circonstances.

Le profil RS (profil 1) offre une assistance élastique dans la plage de cadence de pédalage où votre corps travaille de manière optimale et un couple allant jusqu'à 56 Nm pour les aventures épiques.

Le profil RS+ (profil 2) est conçu pour les montées techniques et les sentiers, où la cadence de pédalage est plus faible, ce qui augmente le couple délivré jusqu'à 85 Nm.

## SÉLECTION DES PROFILS D'ASSISTANCE

Vous pouvez passer du profil d'assistance RS (profil 1) au profil RS+ (profil 2) à l'aide de l'application pour smartphone Shimano Etube Project Cyclist ou de l'écran SC-EN600 (sur les modèles dotés de cette option).

### APPLICATION ETUBE PROJECT CYCLIST

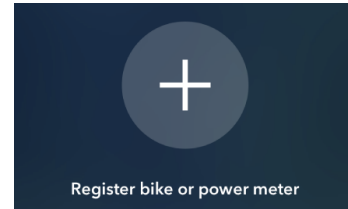


Téléchargez l'application Etube Project depuis Google Play ou l'Apple Store et installez-la sur votre smartphone.

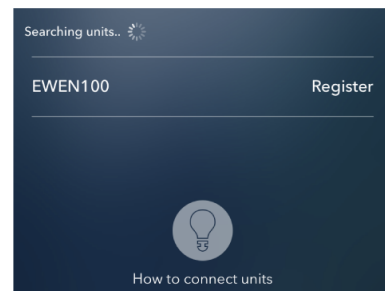
#### 1. Ouvrez Etube Project sur votre smartphone.

Mettez le vélo sous tension et ouvrez l'application sur votre téléphone.

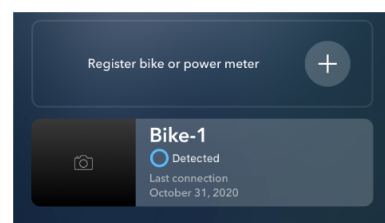
#### 2. Sélectionnez Enregistrer le vélo.



#### 3. Sélectionnez l'unité à laquelle vous souhaitez vous connecter. Si l'unité n'apparaît pas à l'écran après quelques secondes, appuyez sur un des boutons du contacteur d'assistance afin d'activer la connexion.



#### 4. Enregistrez votre vélo dans E-Tube Project. Vous pouvez définir un mot de passe si vous souhaitez être le seul à pouvoir modifier les paramètres du vélo. Si vous souhaitez conserver le mot de passe actuel, passez à l'étape suivante.



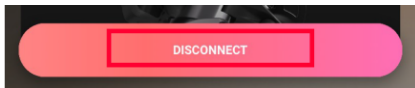
#### 5. Sélectionnez l'option « Assist » (Assistance) sous l'onglet Customise (Personnaliser).



#### 6. Sélectionnez le profil que vous voulez activer sur le vélo ; Profil 1 (RS) ou Profil 2 (RS+).



7. Sélectionnez Apply (Appliquer) pour enregistrer vos modifications.
8. Déconnectez le vélo de l'application en appuyant sur Disconnect (Déconnecter). Le profil sélectionné avant la déconnexion sera le profil activé lorsque vous rallumerez votre vélo.



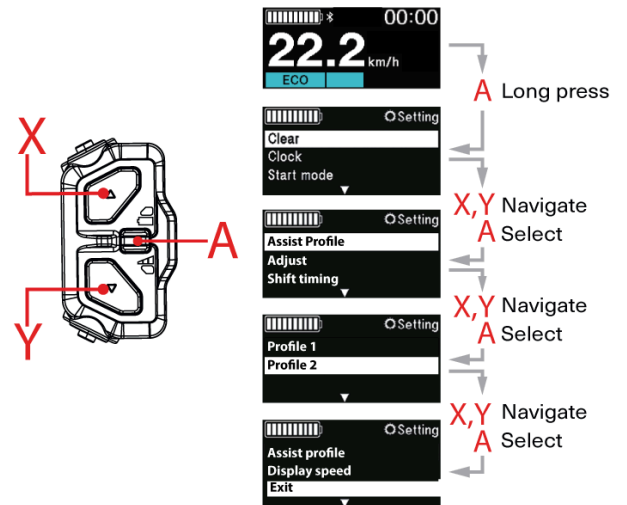
Le manuel complet de l'application E-Tube Project Cyclist est disponible à l'adresse suivante :

<https://si.shimano.com/es/um/7J4MA>

## ÉCRAN SC-EN600

Sur les modèles équipés d'un écran Shimano, vous pouvez sélectionner le profil d'assistance à l'aide de l'écran.

1. Appuyez sur la touche A de la télécommande SW-EN-600-L et maintenez-la enfoncée pour accéder au menu des paramètres de l'écran.
2. Utilisez les touches X, Y de la télécommande pour naviguer dans le menu Profil d'assistance. Appuyez sur la touche A pour procéder à la sélection.
3. Utilisez les touches X, Y pour choisir le profil d'assistance (profil 1 = RS, profil 2 = RS +) et procédez à la sélection en appuyant sur A.
4. Utilisez les touches X, Y pour aller sur Exit (Quitter) et appuyez sur A. Le profil d'assistance sélectionné est activé sur le vélo.



Consultez tout le manuel de l'écran SC-EN600 ici :

[https://si.shimano.com/fr/manual/search?input\\_model=sc-en600](https://si.shimano.com/fr/manual/search?input_model=sc-en600)

## PERSONNALISATION DES NIVEAUX D'ASSISTANCE

Vous pouvez modifier la puissance de chaque niveau d'assistance via l'application mobile Shimano E-Tube Project Cyclist afin de personnaliser davantage votre expérience.

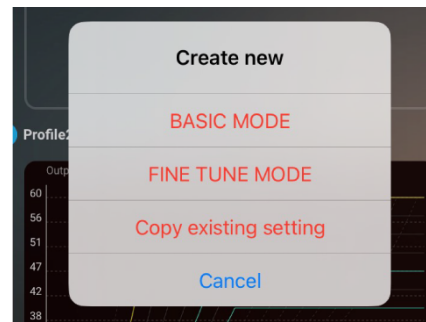
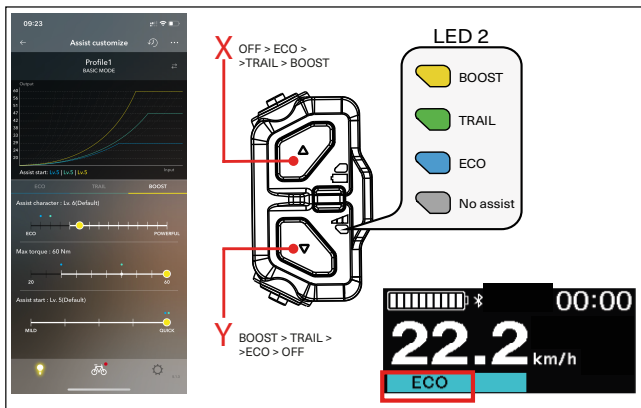
### PROFILS « BASIC MODE » ET « FINE TUNE »

Chacun des deux profils d'assistance disponibles peut être activé en tant que profil BASIC (base) ou FINE TUNE (réglage fin).

**BASIC MODE** : ce profil contient uniquement trois niveaux d'assistance qui peuvent être sélectionnés (ECO, TRAIL et BOOST). Vous pouvez modifier séparément l'assistance et le couple maximum pour chaque niveau.

**FINE TUNE** : vous pouvez sélectionner et activer via la commande à distance jusqu'à 15 niveaux d'assistance au sein du profil. Chaque niveau est activé au sein d'un caractère d'assistance prédéfini et il est possible de modifier les valeurs minimale et maximale du couple du moteur électrique. Tous les niveaux intermédiaires qui sont activés à partir des deux premiers niveaux seront présentés comme TRAIL sur la commande à distance (DEL2 vert). Lorsque ce mode est sélectionné, le niveau d'assistance choisi apparaît sur l'écran (sur les modèles équipés d'un écran) comme sa position dans la plage des niveaux actifs jusqu'à un maximum de 15.

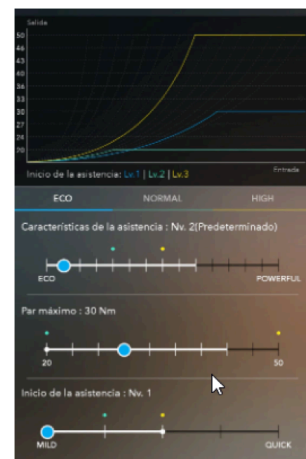
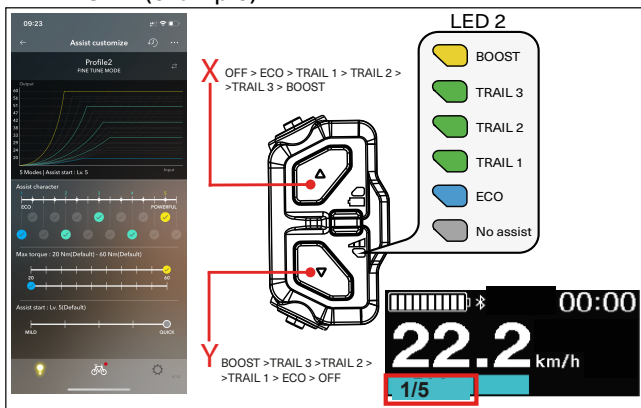
**BASIC MODE**



**MODIFIER LES PARAMÈTRES DES NIVEAUX D'ASSISTANCE (BASIC MODE)**

1. Lorsque BASIC MODE est activé, choisissez le niveau d'assistance (ECO, TRAIL, BOOST) et modifiez son couple maximal, le caractère de l'assistance et les paramètres de démarrage de l'assistance. Pour revenir aux valeurs par défaut, positionnez les repères sur la position des échelles avec un point blanc (par défaut).

**FINE TUNE (exemple)**



**PERSONNALISATION DES NIVEAUX D'ASSISTANCE ET DU CHOIX DE PROFILS**



1. Branchez le vélo sur l'application Etube Project Cyclist.

**ATTENTION**

Consultez la section précédente « Sélection des profils d'assistance » pour savoir comment connecter votre vélo à l'application mobile Shimano Etube Project Cyclist.

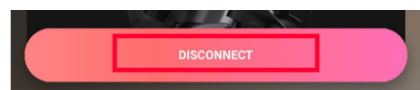
2. Sélectionnez l'option « Assist » (Assistance) sous l'onglet Customise (Personnaliser).



3. Changez les profils d'assistance entre BASIC MODE et FINE TUNE Par défaut, les deux profils d'assistance sont réglés sur le BASIC MODE. Pour ajouter un réglage FINE TUNE, sélectionnez « add a setting » (Ajouter un réglage) dans l'un des profils et choisissez le réglage.

2. Sélectionnez Apply (Appliquer) pour enregistrer vos modifications.

Déconnectez le vélo de l'application en appuyant sur Disconnect (Déconnecter).



Le manuel complet de l'application E-Tube Project Cyclist est disponible à l'adresse suivante :

<https://si.shimano.com/es/um/7J4MA>

**AVERTISSEMENTS/ERREURS CONCERNANT L'UTILISATION DU SYSTÈME D'ASSISTANCE ÉLECTRIQUE**

En cas de détection d'une erreur ou d'un avertissement dans le système, la DEL 1 de la commande à distance clignote en rouge. Pour les modèles dotés d'un écran SC-EN600, le code d'erreur ou d'avertissement s'affiche à l'écran.

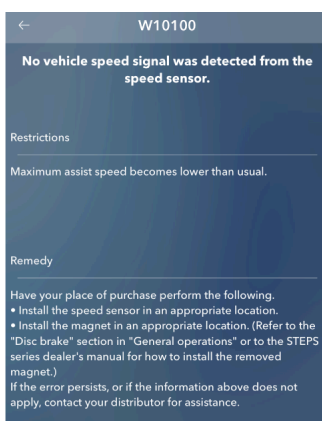
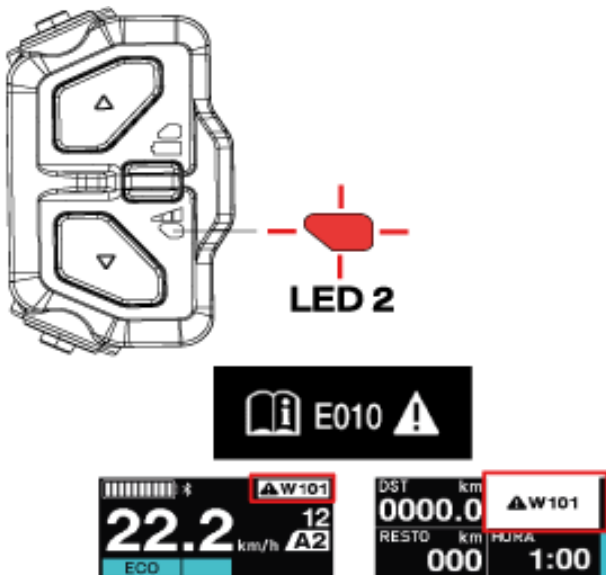
Remettez le vélo sous tension et connectez-le à l'application Shimano E-Tube Project Cyclist. L'erreur identifiée et sa solution sont présentées dans la section Maintenance (Entretien) >Error Log (Journal des erreurs).

Vous pouvez également lire le manuel du système Shimano EP801/EP6 pour obtenir des informations sur les codes d'erreur et les solutions. Vous trouverez la liste des codes d'erreur et des avertissements du système Shimano STEPS et les méthodes de résolutions à la page suivante :

<https://si.shimano.com/es/error>

#### ATTENTION

Regardez comment connecter le vélo à l'application Projet Etube dans la section précédente, « Sélection des profils d'assistance ».



## MANIPULATION DE L'ÉCRAN À L'AIDE DE L'UNITÉ DE CONTACTEUR SW-EN600-L

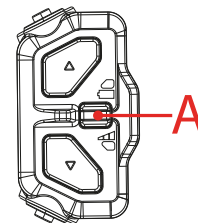
La télécommande SW-EN600-L permet de naviguer sur l'écran du SC-EN600 (pour les modèles équipés d'un écran). Appuyez sur la touche A de la télécommande pour naviguer entre les différents écrans d'affichage et accéder aux informations

pertinentes sur le vélo telles que l'odométrie, la distance, la vitesse, etc. Vous pouvez modifier les écrans secondaires à l'aide de l'application mobile E-Tube Project Cyclist.

Appuyez sur la touche A de la télécommande et maintenez-la enfoncée pour accéder au menu d'affichage et utilisez les touches X, Y et A de la télécommande pour naviguer et sélectionner des options dans le menu.

Les profils d'assistance 1 et 2 peuvent être sélectionnés à l'aide de l'écran (consultez la section spécifique de ce manuel pour en savoir plus sur le processus de sélection du profil d'assistance à l'aide de l'écran).

Consultez le manuel de l'écran Shimano SC-EN600 ici : [https://si.shimano.com/es/manual/search?input\\_model=sc-en600](https://si.shimano.com/es/manual/search?input_model=sc-en600)

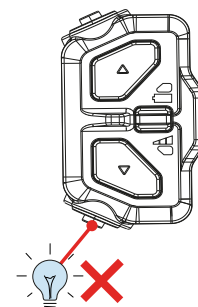


## BRANCHEMENTS DE L'ÉCLAIRAGE SUR LE RISE

#### ATTENTION

Le Rise n'est pas conçu pour brancher des éclairages sur le moteur EP801RS/EP6RS, de sorte que les ports de branchement des éclairages du moteurs et le bouton marche/arrêt des éclairages de la télécommande SW-EN600-L sont désactivés.

Consultez la section consacrée à la connexion à Etube Professional dans ce manuel pour avoir plus d'informations.

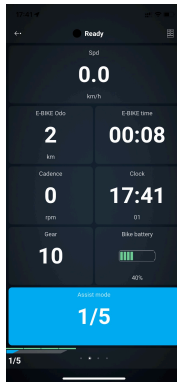


## APPLI E-TUBE RIDE

L'application pour smartphone Shimano Etube Ride vous permet de connecter le vélo via Bluetooth afin de visualiser les données pertinentes du vélo, telles que l'odométrie, le niveau de charge de la batterie, etc., notamment pour les fixations sans écran.

Téléchargez l'application depuis l'Apple Store ou Google Play pour l'installer sur votre téléphone.

Pour plus d'informations sur l'application Etube Rise et le mode d'emploi, cliquez ici : <https://bike.shimano.com/es-ES/e-tube/ride.html>



## ORBEA RS TOOLBOX. CHAMP DE DONNÉES POUR LES DISPOSITIFS GARMIN

Orbea RS Toolbox est une application pour les dispositifs Garmin qui permet de connecter des vélos électriques avec des moteurs Shimano EP8, EP801 et EP6. Cette application est ajoutée à votre dispositif Garmin compatible en tant que champ de données et vous permet de visualiser des informations pertinentes sur votre vélo pendant votre parcours, ainsi que d'enregistrer ces données comme activité dans Garmin Connect pour les consulter ultérieurement.

Téléchargez et installez Orbea RS Toolbox sur votre appareil Garmin compatible à partir de [la boutique Garmin Connect IQ](#).

Consultez le manuel du champ de données de l'Orbea RS Toolbox en cliquant sur le lien suivant :

[Mode d'emploi d'Orbea RS Toolbox](#)

## RÉGLAGE DE LA SUSPENSION

### RÉGLAGE DE LA FOURCHE TÉLESCOPIQUE

#### FOURCHES FOX 34 (RISE SL)

Consultez le guide de l'utilisateur fourni par le fabricant des différentes fourches montées sur les différents modèles.

Cliquez sur les liens ci-après pour accéder à la documentation :

[Page principale des manuels de Fox](#)

[Fourche Fox 34 Float Performance Grip 140 mm](#)

[Fourche Fox 34 Float AWL Sport RAIL 140 mm](#)

Les tableaux suivants fournissent des valeurs approximatives. Celles-ci vont varier en fonction du style de pilotage et des caractéristiques du terrain.

#### PRESSIION D'AIR DE DÉPART RECOMMANDÉE POUR LE RÉGLAGE DU SAG SUR LES FOURCHES FOX 34 FLOAT PERFORMANCE ET AWL SPORT

Poids du cycliste		Pression d'air (psi)	
(lbs)	(kg)	34 Float Performance GRIP	34 Float AWL Sport RAIL
120-130	54-59	64	65
130-140	59-64	69	70
140-150	64-68	74	74
150-160	68-73	78	80
160-170	73-77	83	85
170-180	77-82	88	90

[Continues next page >](#)

Poids du cycliste		Pression d'air (psi)	
(lbs)	(kg)	34 Float Performance GRIP	34 Float AWL Sport RAIL
180-190	82-86	92	96
190-200	86-91	97	101
200-210	91-95	102	106
210-220	95-100	106	111
220-230	100-104	111	116
230-240	104-109	116	121
240-250	109-113	120	126

### MESURES DE SAG RECOMMANDÉES

Débattement	15 % de SAG (ferme)	20 % de SAG (molle)
140 mm/ 5,5 in	21 mm/ 0,8 in	28 mm/ 1,1 in

### RÉGLAGE DE REBOND RECOMMANDÉ SUR LES FOURCHES FOX 34 FLOAT PERFORMANCE ET AWL SPORT

Le réglage du rebond dépend de la pression d'air. Plus la pression d'air est élevée, plus le circuit de rebond devra être fermé.

Utilisez la valeur finale de la pression d'air de votre fourche pour déterminer le réglage du rebond. Amenez la molette de rebond en position fermée (dans le sens des aiguilles d'une montre). Ensuite, comptez autant de clics que la quantité indiquée dans le tableau dans le sens contraire à celui des aiguilles d'une montre.

Poids du cycliste		Réglage de rebond (« clics »)	
(lbs)	(kg)	34 Float Performance GRIP	34 Float AWL Sport RAIL
120-130	54-59	13	10
130-140	59-64	12	9
140-150	64-68	11	9
150-160	68-73	10	8
160-170	73-77	9	8
170-180	77-82	8	7
180-190	82-86	7	7
190-200	86-91	6	6
200-210	91-95	5	5
210-220	95-100	4	3
220-230	100-104	3	2
230-240	104-109	2	1
240-250	109-113	1	1

### RÉGLAGE DE COMPRESSION (34 PERFORMANCE GRIP)

**Microréglage à 3 positions :** le réglage à 3 positions est utile pour réaliser de rapides ajustements et régler les performances de la fourche dans les situations où le terrain change souvent. Le levier de réglage de la compression permet de réaliser des ajustements pendant que vous roulez. Quand le levier est amené en butée dans le sens contraire à celui des aiguilles d'une

montre, la compression est en mode Ouvert. Pour activer le mode Moyen, amenez le levier en position centrale. Si vous amenez le levier en butée dans le sens des aiguilles d'une montre, la compression est réglée sur le mode Ferme. Les positions intermédiaires entre ces trois modes permettent de réaliser des réglages de la compression par augmentations plus petites. Fox recommande de débiter avec le levier en mode Open.

### RÉGLAGE DE COMPRESSION (34 AWL SPORT RAIL)

La fourche Fox 34 AWL Sport montée sur le Rise SL n'a pas de réglage de compression.

### RÉDUCTEURS DU VOLUME D'AIR

La modification du nombre de réducteurs de volume d'air de la fourche permet de procéder au réglage fin de celle-ci.

Configuration du réducteur de la fourche Fox 34 Float Performance		
Débattement	Réducteurs montés en usine	Nombre maximum de réducteurs de 10 cc
140 mm	1	5

Configuration du réducteur de la fourche Fox 34 AWL Sport		
Débattement	Réducteurs montés en usine	Nbre maximum de réducteurs
140 mm	3	4

### FOURCHES FOX 36 FLOAT (RISE LT)

Consultez le guide de l'utilisateur fourni par le fabricant des différentes fourches montées sur les différents modèles.

Cliquez sur les liens ci-après pour accéder à la documentation :

[Page principale des manuels de Fox](#)

[Fourche Fox 36 Float Performance Grip 160 mm](#)

[Fourche Fox 36 Float Factory Grip X de 160 mm](#)

[Fourche Fox 36 Float AWL HD Sport RAIL de 160 mm](#)

Les tableaux suivants fournissent des valeurs approximatives. Celles-ci vont varier en fonction du style de pilotage et des caractéristiques du terrain.

### PRESSION D'AIR DE DÉPART RECOMMANDÉE POUR LE RÉGLAGE DU SAG SUR LES FOURCHES FOX 36

Poids du cycliste		Pression d'air (psi)	
(lbs)	(kg)	36 Float Performance GRIP/ Factory GRIP X	36 Float AWL HD Sport RAIL
120-130	54-59	66	71
130-140	59-64	70	76
140-150	64-68	74	81
150-160	68-73	78	85
160-170	73-77	82	90



Poids du cycliste		Pression d'air (psi)	
(lbs)	(kg)	36 Float Performance GRIP/ Factory GRIP X	36 Float AWL HD Sport RAIL
170-180	77-82	86	95
180-190	82-86	89	99
190-200	86-91	94	104
200-210	91-95	99	109
210-220	95-100	105	113
220-230	100-104	109	115
230-240	104-109	113	117
240-250	109-113	117	120

### MESURES DE SAG RECOMMANDÉES

Débattement	15 % de SAG (ferme)	20 % de SAG (molle)
160 mm/ 5,5 in	24 mm/0,9 in	32 mm/1,3 in

### RÉGLAGES DU REBOND RECOMMANDÉS POUR LES FOURCHES FOX 36 FLOAT

Le réglage du rebond dépend de la pression d'air. Plus la pression d'air est élevée, plus le circuit de rebond devra être fermé.

Utilisez la valeur finale de la pression d'air de votre fourche pour déterminer le réglage du rebond. Amenez la molette de rebond en position fermée (dans le sens des aiguilles d'une montre). Ensuite, comptez autant de clics que la quantité indiquée dans le tableau dans le sens contraire à celui des aiguilles d'une montre.

Poids du cycliste		Réglage de rebond (« clics »)		
(lbs)	(kg)	36 Float Perf. GRIP	36 Float Fact. GRIP X (LSR)	36 Float AWL HD Sport RAIL
120-130	54-59	13	16	10
130-140	59-64	12	14	9
140-150	64-68	11	12	9
150-160	68-73	10	10	8
160-170	73-77	9	9	8
170-180	77-82	8	8	7
180-190	82-86	7	7	7
190-200	86-91	6	6	6
200-210	91-95	5	5	5
210-220	95-100	4	4	3
220-230	100-104	3	3	2
230-240	104-109	2	2	1
240-250	109-113	1	1	1

### RÉGLAGE DE LA COMPRESSION (36 GRIP)

**Microréglage à 3 positions :** le réglage à 3 positions est utile pour réaliser de rapides ajustements et régler les performances de la fourche dans les situations où le terrain change souvent. Le levier de réglage de la compression permet de réaliser des ajustements pendant que vous roulez. Quand le levier est amené en butée dans le sens contraire à celui des aiguilles d'une montre, la compression est en mode Ouvert. Pour activer le mode Moyen, amenez le levier en position centrale. Si vous amenez le levier en butée dans le sens des aiguilles d'une montre, la compression est réglée sur le mode Ferme. Les positions intermédiaires entre ces trois modes permettent de réaliser des réglages de la compression par augmentations plus petites. Fox recommande de débiter avec le levier en mode Open.

### RÉGLAGE DE LA COMPRESSION (36 GRIP X)

Utilisez les réglages du tableau suivant comme point de départ. Amenez la molette de compression en position fermée (dans le sens des aiguilles d'une montre jusqu'à la butée). Ensuite, comptez autant de clics que la quantité indiquée dans le tableau dans le sens contraire à celui des aiguilles d'une montre.

À partir de la position de départ recommandée, l'ouverture du circuit de compression (dans le sens inverse des aiguilles d'une montre) rendra la fourche plus souple, tandis que sa fermeture (dans le sens des aiguilles d'une montre) rendra la fourche plus ferme.

Position initiale recommandée pour le réglage de la compression (« Clics »)	
<b>Compression grande vitesse (HSC)</b> Contrôle le comportement en cas de chocs violents, d'atterrissages et d'obstacles à angles droits.	10
<b>Compression basse vitesse (LSC)</b> Contrôle le comportement pendant le pédalage, les déplacements du centre de gravité, les talonnages et les changements de vitesse lents	10

### RÉGLAGE DE COMPRESSION (36 AWL HD SPORT RAIL)

La fourche Fox 34 AWL Sport montée sur le Rise SL n'a pas de réglage de compression.

### RÉDUCTEURS DU VOLUME d'AIR :

La modification du nombre de réducteurs de volume d'air de la fourche permet de procéder au réglage fin de celle-ci.

Configuration des réducteurs de volume d'air de la fourche Fox 36 Float		
Débattement	Réducteurs montés en usine	Nombre maximum de réducteurs de 10 cc
160 mm	2	6

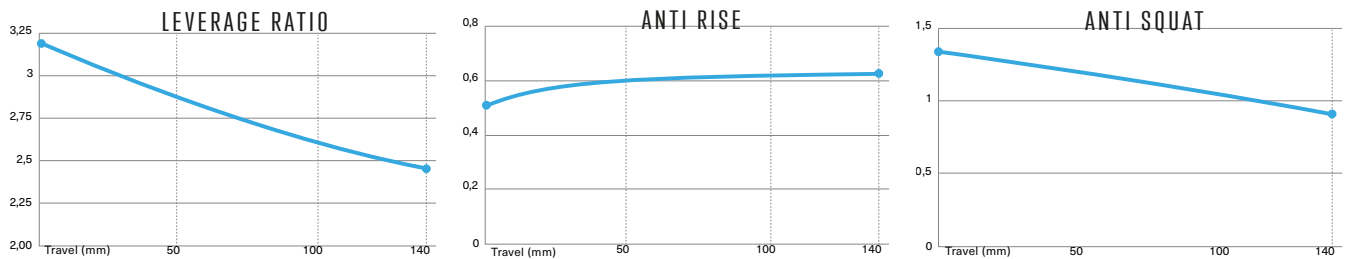
  

Configuration du réducteur de la fourche Fox 36 AWL HD Sport		
Débattement	Réducteurs montés en usine	Nbre maximum de réducteurs
140 mm	3	6

## RÉGLAGE DES AMORTISSEURS

### RÉGLAGE DES AMORTISSEURS DU RISE SL

#### COURBES CINÉMATIQUES DE LA SUSPENSION DU RISE SL



Consultez le mode d'emploi du fabricant pour obtenir des informations concernant les amortisseurs montés sur les différents modèles.

Cliquez sur les liens ci-après pour accéder à la documentation :

[Page principale des manuels de Fox](#)

[Fox Float Performance 2025](#)

#### CARACTÉRISTIQUES TECHNIQUES DES AMORTISSEURS FOX FLOAT DU RISE SL

FOX FLOAT PERFORMANCE 210x50

2025, FLOAT, P-S, A, 2pos, Evol LV, Orbea, Rise SL, 210, 50, entretoise 0,6, CM1.1, SCLRM5, CML

#### RÉGLAGE RECOMMANDÉ DE LA PRESSION D'AIR DES AMORTISSEURS FOX FLOAT DU RISE SL

Réglez la pression d'air de l'amortisseur jusqu'à ce que vous obteniez le SAG souhaité. Mesurez toujours le SAG avec la molette de réglage de compression en position Ouverte.

Les tableaux suivants fournissent des valeurs approximatives qui peuvent varier en fonction du type de pilotage et des conditions du terrain.

Mesure de SAG recommandée	<b>25-30 %</b>
Équivalence en mm d'un SAG de 25 % dans un amortisseur 210x50	13 mm
Équivalence en mm d'un SAG de 30 % dans un amortisseur 210x50	15 mm

Réglez la pression d'air de l'amortisseur jusqu'à ce que vous obteniez le SAG souhaité. Un SAG de 25 % vous donnera une sensation de fermeté avec plus de support, tandis qu'un SAG de 30 % vous donnera un vélo plus moelleux.

#### RÉGLAGES DE REBOND RECOMMANDÉS POUR LES AMORTISSEURS FOX FLOAT DU RISE SL

Une fois que vous avez atteint le SAG souhaité, réglez le rebond en fonction de la pression d'air de l'amortisseur.

Définissez la valeur du rebond en fonction de la pression d'air finale de votre amortisseur. Amenez la molette de rebond ou de compression en position fermée (tournez complètement le sens des aiguilles d'une montre). Ensuite, comptez autant de clics que la quantité indiquée ci-dessous dans le sens contraire des aiguilles d'une montre.

Pression d'air (psi)	Réglage de rebond recommandé (clics)
< 100	10
100-120	10
120-140	9
140-160	8
160-180	7
180-200	6
200-220	5
220-240	4
240-260	3
260-280	2
280-300	1

### RÉGLAGE DE LA COMPRESSION SUR LES AMORTISSEURS FOX FLOAT DU RISE SL

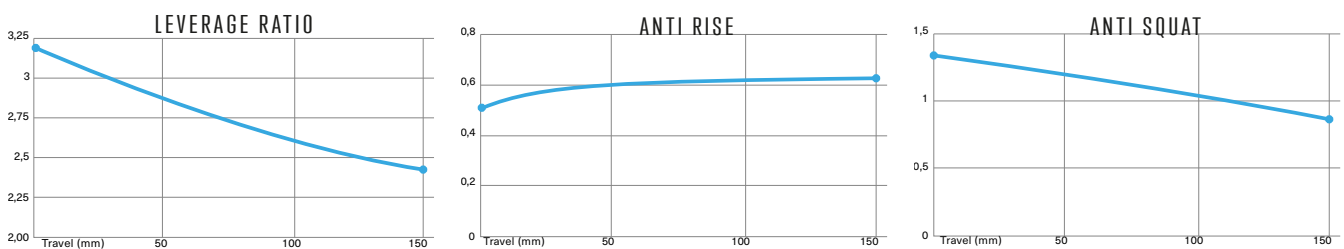
**Levier à 2 positions :** Le levier à 2 positions vous permet d'effectuer des réglages lorsque vous roulez et de contrôler ainsi le comportement de l'amortisseur lorsque le terrain change fortement. Vous pouvez utiliser le mode Open pendant les descentes techniques et le mode Firm pour les montées assez uniformes. Fox vous recommande de commencer en position Ouverte.

### RÉDUCTEURS DE VOLUME D'AIR INTÉRIEUR SUR AMORTISSEURS FOX FLOAT

Vous pouvez régler la progressivité de la chambre d'air de votre amortisseur en achetant les réducteurs de volume auprès d'un revendeur Fox agréé.

## RÉGLAGE DES AMORTISSEURS DU RISE LT

### COURBES CINÉMATIQUES DE LA SUSPENSION DU RISE LT



Consultez le mode d'emploi du fabricant pour obtenir des informations concernant les amortisseurs montés sur les différents modèles.

Cliquez sur les liens ci-après pour accéder à la documentation :

[Page principale des manuels de Fox](#)

[Fox Float Performance 2025/Factory](#)

[Fox Float X Performance 2025/Factory](#)

[Fox DHX Factory 2025](#)

## CARACTÉRISTIQUES TECHNIQUES DES AMORTISSEURS FOX FLOAT DU RISE LT

FOX FLOAT PERFORMANCE 210x55	2025, FLOAT, P-S, A, 2 pos, Evol LV, Orbea, Rise LT, 210, 55, entretoise 0,6, CM1.1, SCLRM5, CML.
FOX FLOAT X PERFORMANCE 210x55	2025, FLOAT X, P-S, A, 2 pos., Evol LV, Orbea, Rise LT, 210, 55, entretoise 0,5, CS30, RL60, LML, Rezi B40
FOX FLOAT X FACTORY 210x55	2025, FLOAT X, F-S, K, régl. 2 pos, Evol LV, Orbea, Rise LT, 210, 55, entretoise 0,5, CS30, RL60, LML, Rezi B40
FOX DHX FACTORY 210x55	2025, DHX, F-S, Cr, régl. 2 pos, Orbea, Rise LT, 210, 55, 400 lbs/in, SLS, CS40, RL60, LMM, Rezi B60

## RÉGLAGE RECOMMANDÉ DE LA PRESSION D'AIR DES AMORTISSEURS FOX FLOAT/FLOAT X SHOCK

Réglez la pression d'air de l'amortisseur jusqu'à ce que vous obteniez le SAG souhaité. Mesurez toujours le SAG avec la molette de réglage de compression en position Ouverte.

Les tableaux suivants fournissent des valeurs approximatives qui peuvent varier en fonction du type de pilotage et des conditions du terrain.

Mesure de SAG recommandée	25-30 %
Équivalence en mm d'un SAG de 25 % dans un amortisseur 210x55	14 mm.
Équivalence en mm d'un SAG de 30 % dans un amortisseur 210x55	17 mm.

Réglez la pression d'air de l'amortisseur jusqu'à ce que vous obteniez le SAG souhaité. Un SAG de 25 % vous donnera une sensation de fermeté avec plus de support, tandis qu'un SAG de 30 % vous donnera un vélo plus moelleux.

## RÉGLAGES DE REBOND RECOMMANDÉS POUR LES AMORTISSEURS FOX FLOAT Y ET FLOAT X DU RISE LT

Une fois que vous avez atteint le SAG souhaité, réglez le rebond en fonction de la pression d'air de l'amortisseur.

Définissez la valeur du rebond en fonction de la pression d'air finale de votre amortisseur. Amenez la molette de rebond ou de compression en position fermée (tournez complètement le sens des aiguilles d'une montre). Ensuite, comptez autant de clics que la quantité indiquée ci-dessous dans le sens contraire des aiguilles d'une montre.

Pression d'air (psi)	Réglage de rebond recommandé (clics)
< 100	10
100-120	10
120-140	9
140-160	8
160-180	7
180-200	6
200-220	5
220-240	4
240-260	3
260-280	2
280-300	1

## RÉGLAGE DE LA COMPRESSION SUR LES AMORTISSEURS FOX FLOAT DU RISE LT

**Levier à 2 positions :** Le levier à 2 positions vous permet d'effectuer des réglages lorsque vous roulez et de contrôler ainsi le comportement de l'amortisseur lorsque le terrain change fortement. Vous pouvez utiliser le mode Open pendant les descentes techniques et le mode Firm pour les montées assez uniformes. Fox vous recommande de commencer en position Ouverte.

**Réglage du mode Open (Factory Float) :** ce réglage est utile pour réguler les chocs lors des déplacements du centre de gravité du pilote, des talonnages et des changements progressifs de terrain. Relevez la molette de réglage de mode Open, mettez-la dans l'une des positions disponibles (1, 2, 3) et appuyez sur la molette de réglage pour régler la position. Fox recommande de commencer en position 1.

## RÉGLAGE DE COMPRESSION DES AMORTISSEURS FOX FLOAT X

**Levier à 2 positions :** Le levier à 2 positions vous permet d'effectuer des réglages lorsque vous roulez et de contrôler ainsi le comportement de l'amortisseur lorsque le terrain change fortement. Vous pouvez utiliser le mode Open pendant les descentes techniques et le mode Firm pour les montées assez uniformes. Fox vous recommande de commencer en position Ouverte. La position Ouverte utilise les réglages de la molette LSC (compression basse vitesse).

**LSC (COMPRESSION BASSE VITESSE) :** la molette LSC permet de régler la compression basse vitesse. Faites tourner la molette dans le sens des aiguilles d'une montre pour augmenter la compression ou dans le sens inverse pour la réduire. Fox recommande de commencer avec la molette en position Ouverte (molette tournée complètement dans le sens des aiguilles d'une montre).

Les réglages de la compression LSC ne prendront effet que lorsque le levier de compression à 2 positions sera en position Ouverte.

## RÉDUCTEURS DE VOLUME D'AIR INTÉRIEUR SUR AMORTISSEURS FOX FLOAT X

Vous pouvez régler la progressivité de la chambre d'air de votre amortisseur en achetant les réducteurs de volume auprès d'un revendeur Fox agréé.

Taille	Volume de réducteurs de série	Volume maximum de réducteurs
210x55	0,5	1,0

## RÉGLAGE RECOMMANDÉ DE LA PRÉCHARGE DE L'AMORTISSEUR DHX

Les tableaux suivants fournissent des valeurs approximatives qui peuvent varier en fonction du type de pilotage et des conditions du terrain.

Mesure de SAG recommandée	<b>30 %</b>
Équivalence en mm d'un SAG de 30 % dans un amortisseur 210x55	16,5 mm.

## RÉGLAGE DE COMPRESSION DES AMORTISSEURS FOX DHX

**Levier à 2 positions :** Le levier à 2 positions vous permet d'effectuer des réglages lorsque vous roulez et de contrôler ainsi le comportement de l'amortisseur lorsque le terrain change fortement. Vous pouvez utiliser le mode Open pendant les descentes techniques et le mode Firm pour les montées assez uniformes. Fox vous recommande de commencer en position Ouverte. La position Ouverte utilise les réglages de la molette LSC (compression basse vitesse).

**LSC (COMPRESSION BASSE VITESSE) :** la molette LSC permet de régler la compression basse vitesse. Faites tourner la molette dans le sens des aiguilles d'une montre pour augmenter la compression ou dans le sens inverse pour la réduire. Fox recommande de commencer avec la molette en position Ouverte (molette tournée complètement dans le sens des aiguilles d'une montre).

Les réglages de la compression LSC ne prendront effet que lorsque le levier de compression à 2 positions sera en position Ouverte.

## **RÉGLAGE DU REBOND DES AMORTISSEURS FOX DHX**

---

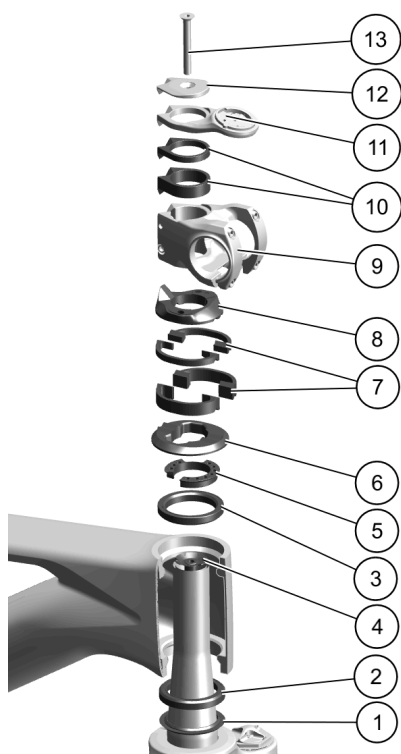
La molette de rebond permet de contrôler la vitesse à laquelle l'amortisseur se déploie après avoir été comprimé. Tourner la molette de rebond dans le sens des aiguilles d'une montre permet de ralentir le déploiement de l'amortisseur et la tourner dans le sens inverse des aiguilles d'une montre permet d'accélérer son déploiement. Fox recommande de commencer avec la molette en position intermédiaire.

# 09 JEU DE DIRECTION HS02

## ATTENTION

Cette section présente les spécificités du montage du jeu de direction ICR HS02 sur le Rise. Pour avoir un aperçu de ce jeu de direction standard Orbea, ainsi que des instructions de montage, des accessoires, etc., consultez le manuel spécifique [Jeux de direction standards Orbea ICR](#) sur notre site web : **(Support (Aide) > Manuels (Manuels) > Technologies (Technologies))**.

## ÉLÉMENTS DU JEU DE DIRECTION HS02 SUR LE RISE HYDRO



1. Chemin de té de fourche 1-1/2"
2. Roulement inférieur 1-1/2"
3. Roulement supérieur 1-1/2"
4. Étoile de pivot de fourche en aluminium
5. Bague de compression HS02-01
6. Capuchon de jeu de direction de cadre HS02-14
7. Entretoises scindées de jeu de direction 5/10 mm HS02-03/04
8. Collecteur de stack régulier SIC HS02-05
9. Jeu de direction OC Mountain Control (cf. section sur les potences de ce manuel)
10. Entretoises de jeu de direction HS02-07/08 5/10 mm
11. Support GPS OC CM-05 (cf. section spécifique de ce manuel)
12. Capuchon de potence MC HS02-31
13. Vis de précontrainte de direction

## ATTENTION

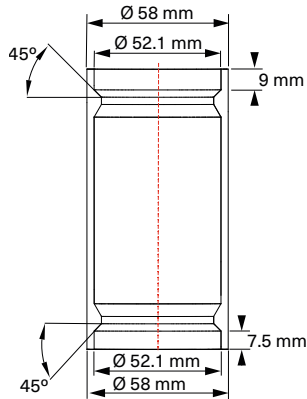
Consultez la section relative aux pièces détachées de ce manuel pour trouver les références des pièces.





## CARACTÉRISTIQUES DU JEU DE DIRECTION HS02 SUR LE RISE

### DIMENSIONS DE LA DOUILLE DE DIRECTION



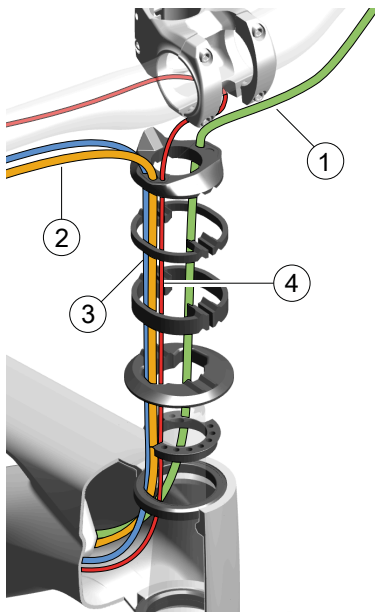
### CARACTÉRISTIQUES TECHNIQUES DU JEU DE DIRECTION. RISE 2025

	HAUT	BAS
<b>TYPE</b>	1-1/8" roulement intégré 1-1/2" avec adaptateur SIC 1-1/8"	1-1/2" intégré
<b>Di*</b>	52,1 mm	52,1 mm
<b>De**</b>	58 mm	58 mm
<b>Angle de chemin</b>	45°	45°
<b>Angle de contact avec bague de compression/chemin de fourche</b>	45°	45°
<b>CODE SHIS</b>	IS52/40	IS52/40
<b>Dimensions des roulements</b>	Roulement à contact angulaire 52x40x7 mm	Roulement à contact angulaire 52x40x7 mm
<b>OPTION DE COLLECTEUR « STACK BAS »</b>	Non	—
<b>FONCTION SPINBLOCK (limiteur de rotation)</b>	Non	—

\* Di : diamètre intérieur de la douille de direction.

\*\* De : diamètre extérieur de la douille de direction.

## ACHEMINEMENT DU CÂBLE DANS LE JEU DE DIRECTION HS02 DU RISE

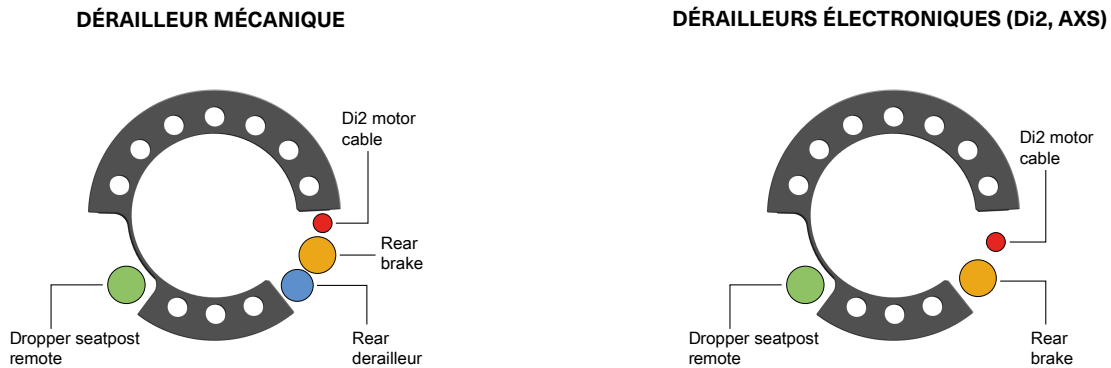


1. Commande au guidon de tige de selle télescopique
2. Frein arrière\*
3. Dérailler arrière (mécanique)
4. Câble du moteur électrique Di2\*\*

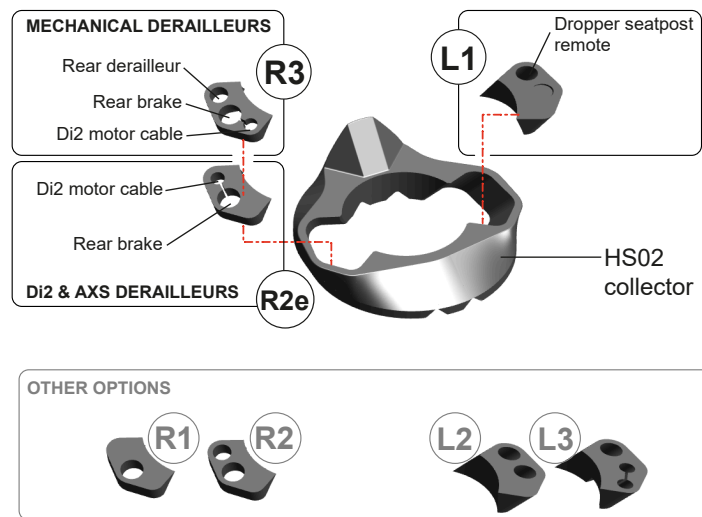
\*Dans les ensembles avec frein arrière gauche, la conduite de frein entre dans le jeu de direction sur le côté droit du collecteur.

\*\*Consultez la section sur le système électrique de ce manuel pour plus de détails sur le câblage des composants Shimano à travers la potence et le guidon.

## POSITION DES CÂBLES DANS LA BAGUE DE COMPRESSION DE JEU DE DIRECTION



## JOINTS SIC POUR L'ENTRÉE DU CÂBLE DANS LE COLLECTEUR HS02



Consultez le manuel [Jeux d direction Orbea ICR standard](#) sur notre site web pour avoir plus de détails sur les options de joints SIC qui ne sont pas utilisés dans les ensembles standards.

## FIXATION DU JEU DE DIRECTION HS02

### ATTENTION

La position des câbles dans le jeu de direction et les composants spécifiques pour les fixer sur le Rise sont indiqués dans les sections précédentes de ce manuel technique.

### ATTENTION

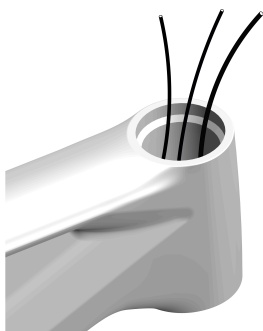
Ceci est un guide général de montage du jeu de direction HS02.

L'installation du jeu de direction HS02 implique l'installation des durites de frein et de dérailleur sur les leviers et éventuellement la purge des durites de frein hydrauliques. Si, en tant qu'utilisateur, vous n'avez pas les connaissances mécaniques nécessaires pour effectuer ces opérations et garantir une installation sûre, confiez votre vélo à un revendeur agréé pour qu'il effectue l'installation. Les dommages causés au niveau des composants par une installation incorrecte ne sont pas couverts par la garantie.



Une mauvaise installation du jeu de direction et/ou des durites de frein et de dérailleur peut provoquer des accidents et des blessures graves, voire mortelles.

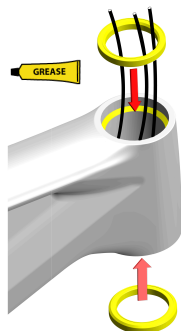
1



1. Acheminez les câbles du frein arrière, de la tige de selle télescopique, de l'amortisseur et du dérailleur (pour les transmissions mécaniques) et faites-les passer par le haut du tube de direction.

Les éléments câblés dans le jeu de direction varient en fonction de l'assemblage spécifique. Consultez les sections précédentes de ce manuel pour obtenir plus de détails sur les composants câblés du jeu de direction HS02.

2



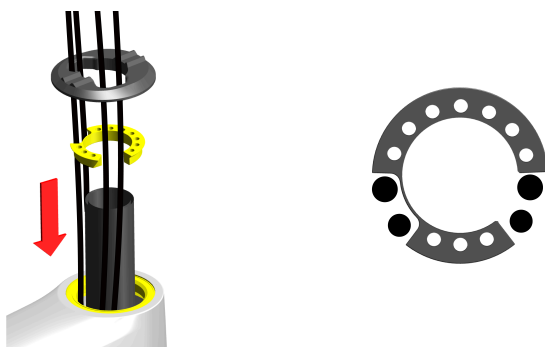
2. Appliquez et étalez de la graisse d'assemblage sur les boîtiers du cadre et les roulements supérieurs et inférieurs du tube de direction et installez-les dans le cadre, en y faisant passer les câbles de frein et de dérailleur.

3



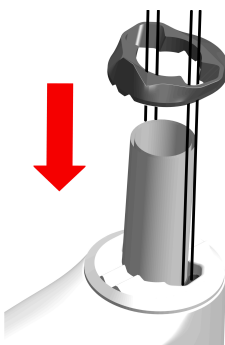
3. Insérez la fourche. Avec la couronne inférieure déjà installée dans le pivot de fourche et après avoir installé l'étoile (ou l'expandeur dans les fourches avec pivot en carbone) pour fixer la vis de précharge de la potence dans le pivot de fourche.

4



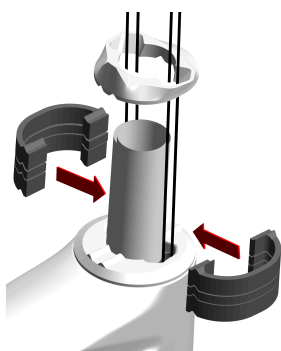
4. Installez la bague de compression en acheminant les conduites de frein et les gaines de dérailleur, etc. à travers les canaux de câblage et en les dirigeant vers leur emplacement de montage sur le guidon. Ensuite, installez le bouchon de jeu de direction. Les éléments câblés dans le jeu de direction varient en fonction de l'assemblage spécifique. Consultez les sections précédentes de ce manuel pour obtenir plus de détails sur les composants câblés du jeu de direction HS02.

5



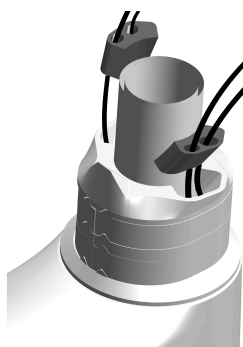
5. Montez le collecteur SIC. En cas d'utilisation de tiges OC spécifiques, le collecteur HS02-05 avec un profil spécifique doit être monté. Pour installer des potences standard, il faut utiliser le collecteur universel HS02-06 (voir la section accessoires de ce manuel).

6



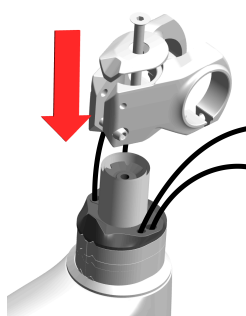
6. Installez autant d'entretoises scindées HS02 de 5 ou 10 mm que nécessaire (voir la hauteur maximale autorisée des entretoises de jeu de direction sous la potence pour votre modèle de vélo dans le tableau des caractéristiques techniques).

7



7. Installez les œillets de câblage spécifiques de votre vélo (voir section relative au câblage de jeu de direction HS02).

8



8. Installez la potence OC compatible avec le jeu de direction HS02. Voir la section sur les potences de ce manuel pour trouver les instructions d'installation spécifiques à chaque modèle de potence OC.

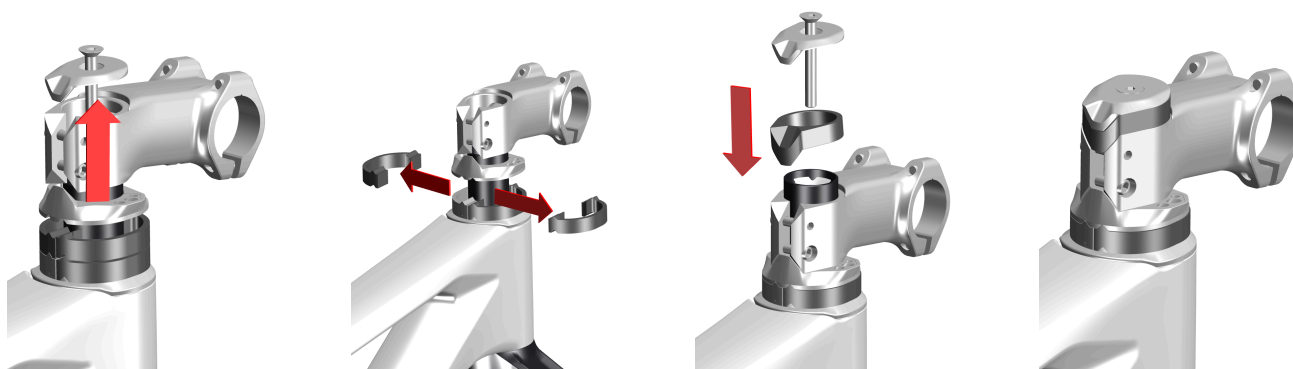
## AJOUT ET RETRAIT DES ENTRETOISES DE JEU DE DIRECTION.

Dans les ensembles de jeu de direction HS02, il est possible de régler la hauteur de la potence en ajoutant ou en retirant des entretoises de jeu de direction. Les entretoises HS02-03 et 04 de 5 et 10 mm se composent de deux parties qui vous permettent de les retirer ou de les installer sans interférer avec le câblage.

Lorsque l'on retire les entretoises de jeu de direction par le bas de la potence, si le pivot de fourche n'est pas coupé pour s'adapter à la nouvelle position de la potence, il est nécessaire d'installer autant de millimètres d'entretoises de jeu de direction au-dessus de la potence que de millimètres qui ont été retirés par le bas de la potence. Les potences HS02 OC ont des entretoises spécifiques à installer sur le dessus de la potence, ce sont les entretoises de jeu de direction HS02-07 et 08.

### ATTENTION

Lorsque l'on retire les entretoises de jeu de direction par le bas de la potence, si le pivot de fourche n'est pas coupé pour s'adapter à la nouvelle position de la potence, il est nécessaire d'installer autant de millimètres d'entretoises de jeu de direction au-dessus de la potence que de millimètres qui ont été retirés par le bas de la potence. Les potences HS02 OC ont des entretoises spécifiques à installer sur le dessus de la potence, ce sont les entretoises de jeu de direction HS02-07 et 08.

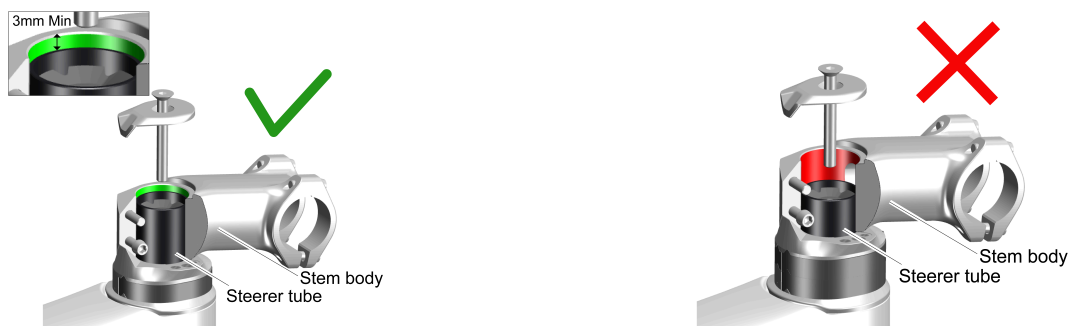


### Nombre maximum d'entretoises de jeu de direction.

Vérifiez le nombre maximal d'entretoises de jeu de direction que votre modèle Orbea équipé de jeu de direction HS02 permet. N'installez pas plus d'entretoises que cela est spécifié pour le modèle.

Lors de la pose des entretoises, veillez à ce que le pivot de fourche soit assez long pour permettre la pose sûre et correcte de la potence et que les câbles possèdent la longueur suffisante. Le bord supérieur du tube de fourche doit se trouver au-dessus du boulon de serrage supérieur de la potence. Lors de l'installation des entretoises de jeu de direction au-dessus de la potence, le bord supérieur du pivot de fourche doit être aussi proche que possible du bord supérieur de l'entretoise de jeu de direction la plus haute, tout en permettant l'installation correcte du capuchon supérieur de potence afin de précharger correctement le jeu de direction.

La distance entre l'extrémité supérieure du pivot de fourche et la surface de pose du capuchon de précontrainte de potence doit être d'au moins 3 mm pour permettre une précontrainte correcte du jeu de direction.



### ATTENTION

Pour retirer ou ajouter des entretoises de jeu de direction, vous devez desserrer et reposer la potence. Reportez-vous aux instructions de montage et aux couples de serrage des potences OC dans le manuel spécifique des potences OC VTT.

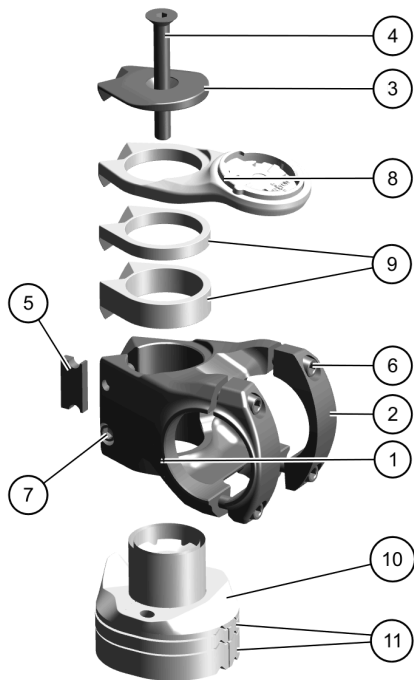


### Utilisation de l'étoile ou de l'expandeur dans le pivot de fourche

Pour fixer le boulon de précontrainte de potence, vous devez installer un expandeur ou une étoile dans le pivot de fourche. Utilisez uniquement un expandeur pour les fourches équipées de pivot de fourche en carbone et une étoile pour les fourches équipées de pivot de fourche en aluminium. L'utilisation de composants autres que ceux indiqués pour chaque installation spécifique peut entraîner des dommages au niveau des matériaux susceptibles de provoquer des ruptures ou des accidents. Les dommages au niveau des matériaux dus à l'utilisation de composants incorrects ne sont pas couverts par les conditions de la garantie.

# 10 POTENCES

## POTENCES OC ST-MC10 / ST-MC20 ÉLÉMENTS



1. Corps de la potence
2. Plaque avant
3. Capuchon de potence MC
4. Vis de précontrainte de jeu de direction
5. Butée de serrage de l'attache de fourche
6. Boulons de plaque avant
7. Boulons d'attache de fourche
8. Fixation GPS OC CM-05\*
9. Entretoises de jeu de direction HS02-07/08 5/10 mm\*\*
10. Collecteur SIC
11. Entretoises scindées de jeu de direction 5/10 mm HS02-03/04\*\*

\*Consultez la section sur la fixation GPS de ce manuel

\*\*Consultez la section [Jeu de direction](#) de ce manuel

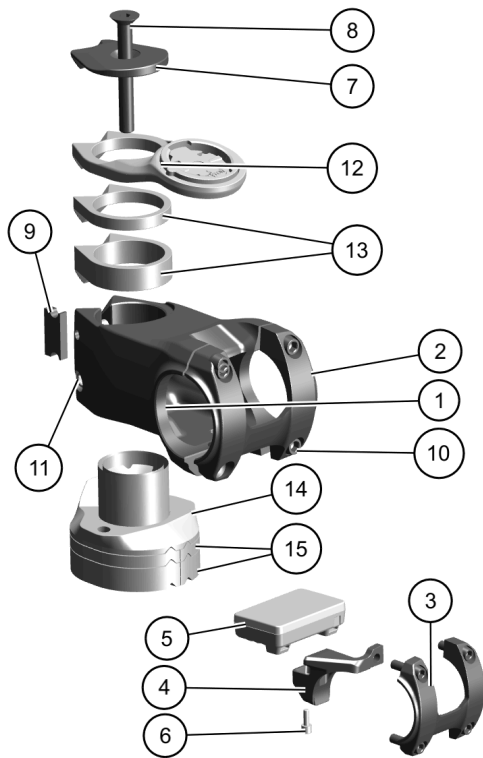
### ATTENTION

Consultez la section relative aux pièces détachées de ce manuel pour trouver les références des pièces.



## POTENCE OC ST-MC11. ÉLÉMENTS

La potence OC MC11 n'est pas montée de série et n'est pas en option lors de l'achat d'un Rise Hydro, mais elle est compatible avec le cadre et peut être achetée en tant que composant de rechange sur le site Internet d'Orbea.



1. Corps de la potence
2. Plaque avant standard (ensembles sans fixation d'écran Shimano)
3. Plaque avant D-EN600 (ensemble avec fixation d'écran SC-EN600 Shimano)
4. Fixation d'écran Shimano SC-EN600 (avec plaque avant spécifique)
5. Écran Shimano SC-EN600
6. Boulon d'écran Shimano SC-EN600
7. Capuchon de potence MC
8. Vis de précontrainte de jeu de direction
9. Butée de serrage de l'attache de fourche
10. Boulons de plaque avant
11. Boulons d'attache de fourche
12. Fixation GPS OC CM-05\*
13. Entretoises de jeu de direction HS02-07/08 5/10 mm\*\*
14. Collecteur SIC
15. Entretoises scindées de jeu de direction 5/10 mm HS02-03/04\*\*

\*Consultez la section sur la fixation GPS de ce manuel

\*\*Consultez la section [Jeu de direction](#) de ce manuel

### ATTENTION

La plaque avant D-EN600 (3) et la fixation d'écran SC-EN600 (4) ne sont pas compatibles pour être installées sur les potences OC ST-MC-10 et 20. La plaque avant et le support d'affichage doivent être utilisés ensemble, il n'est pas possible d'installer le support d'affichage avec la plaque avant standard de la potence ST-MC11.

Consultez la section relative aux pièces détachées de ce manuel pour trouver les références des pièces.

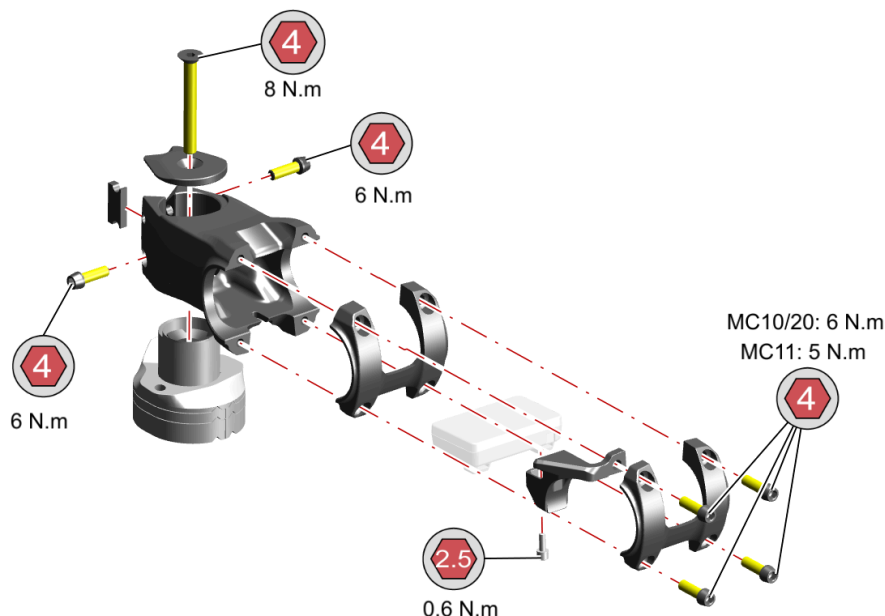
## POTENCES OC MC10/MC11/MC20. CARACTÉRISTIQUES TECHNIQUES

GAMME OC	Mountain Control
MATÉRIAU	Aluminium CNC
NORME DE JEU DE DIRECTION ORBEA	HS02 et jeu de direction standard 1-1/8" avec bouchon HS02-17
Ø DE LA FOURCHE	1" 1/8
Ø DU CINTRE	35 mm
HAUTEUR DE MONTAGE SUR LE PIVOT	40 mm

Continues next page >

<b>INCLINAISON (angle)</b>	0°	
<b>LONGUEURS DISPONIBLES</b>	MC10/MC20: 35, 40, 50 mm MC11: 35, 40, 50, 60 mm	
<b>CÂBLAGE</b>	Acheminement interne uniquement compatible avec les câbles électroniques.	
<b>COMPATIBLE AVEC LA FONCTION SPINBLOCK</b>	Oui. Uniquement sur les cadres dotés de la fonction SpinBlock	
<b>COMPATIBLE AVEC LE SYSTÈME SIC</b>	Oui. Uniquement sur les cadres avec jeu de direction HS02	
<b>POIDS</b>	ST-MC10 : 150 g (40 mm)	
	ST-MC20 : 160 g (40 mm)	
	ST-MC11: 192 g (40 mm)	
<b>CACHE DE POTENCE</b>	Bouchon spécifique à HS02-31 (MC10/20/11)	
<b>ENTRETOISES DE JEU DE DIRECTION COMPATIBLES</b>	Cadres Orbea avec jeu de direction HS02 :	Sous la potence : entretoises scindées Spinblock HS02-03/04 (5 et 10 mm). Sous le collecteur SIC HS02 Au-dessus de la potence : entretoises rondes Spinblock HS02-07/08 (5 et 10 mm)
	Cadres avec jeu de direction 1-1/8"	Au-dessus et en dessous de la potence : entretoises rondes Spinblock HS02-07/08 (5 et 10 mm)
<b>FIXATION POUR COMPTEUR VÉLO</b>	OC CM-05. Au-dessus de la potence. (5 mm)	

## OC ST-MC10, ST-MC20 ET ST-MC11. PÂTES D'ASSEMBLAGE ET COUPLES DE SERRAGE



COULEUR	TYPE DE PÂTE	DESCRIPTION
	LUBRIFICATION	GRAISSE : graisse d'assemblage pour éviter les grincements et le grippage. Compatible avec les surfaces en carbone et en aluminium.



**ATTENTION**

La plaque avant D-EN600 et la fixation d'écran SC-EN600 de la potence ST-MC11 ne sont pas compatibles avec les potences OC ST-MC-10 et 20. La plaque avant et le support d'affichage doivent être utilisés ensemble, il n'est pas possible d'installer le support d'affichage avec la plaque avant standard de la potence ST-MC11.

## FIXATION DES POTENCES OC MOUNTAIN CONTROL

**ATTENTION**

Consultez la section consacrée à la pose du jeu de direction HS02 dans ce manuel pour trouver l'acheminement des câbles corrects dans le jeu de direction.

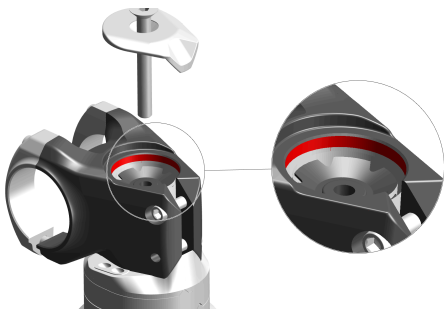
**ATTENTION**

Ceci est un guide d'installation général pour les potences OC MC (Mountain Control) Consultez la section propre au modèle de votre potence pour obtenir les couples de serrage spécifiques et trouver les composants.

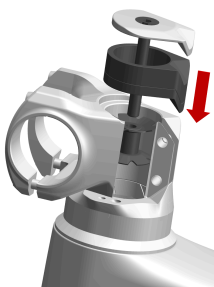
1



2



3



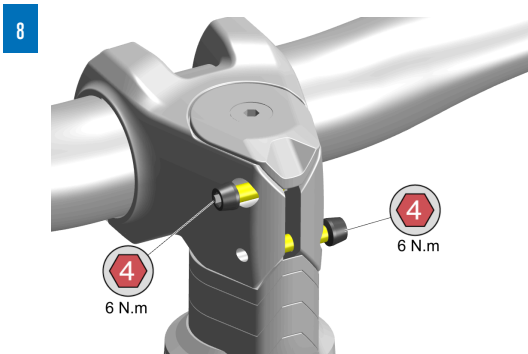
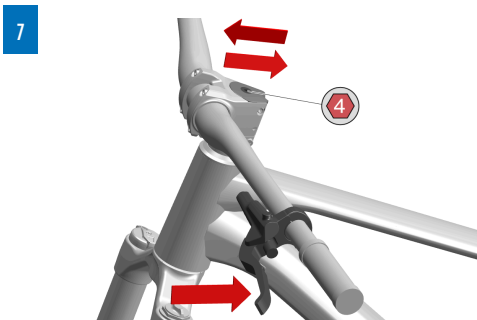
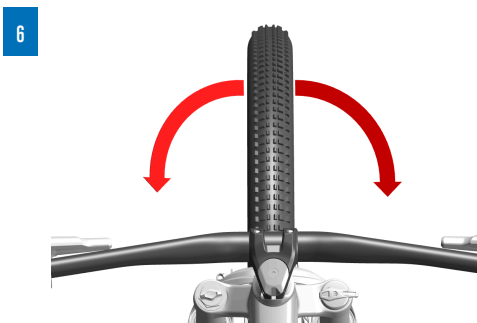
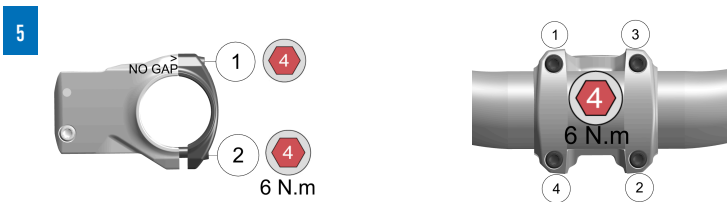
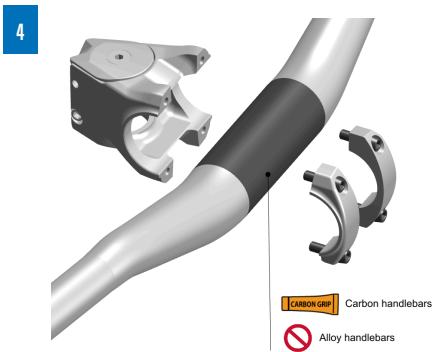
1. Les potences MC (Mountain Control) disposent d'une butée dans la zone où la potence se fixe afin que vous ne puissiez pas dépasser le couple de serrage prescrit. Assurez-vous que la butée est correctement installée lors de la fixation de la potence. Cette butée n'est pas essentielle, si vous ne l'avez pas, assurez-vous de suivre les instructions concernant le couple de serrage pour les boulons de potence pour chaque modèle de potence OC.

2. Le jeu de direction HS02 étant déjà installé sur le vélo (consultez la section relative à l'installation du jeu de direction), insérez la potence MC dans le tube de fourche, en adaptant son profil arrière à celui du collecteur spécifique HS02-05. Assurez-vous que le tube de fourche se trouve au-dessus du boulon d'attache supérieure de potence. La distance entre l'extrémité supérieure du pivot de fourche et la surface de pose du capuchon de précontrainte de potence doit être d'au moins 3 mm pour permettre une précontrainte correcte du jeu de direction.

3. Il est possible d'installer des entretoises profilées monobloc HS02-07 (5 mm) ou HS02-08 (10 mm) au-dessus de la potence, en veillant toujours à ce que le boulon supérieur du capuchon de potence s'enfile correctement dans l'étoile du tube de fourche afin que l'ensemble de jeu de direction se comprime correctement.

Sur les modèles de vélos sans fonction Spinblock, il est également possible d'utiliser ces entretoises entre la potence et le collecteur SIC HS02.

Continues next page >



4. Si vous installez un guidon en carbone, appliquez une légère couche de pâte de carbone sur la surface de contact du guidon avec la potence. Pour les guidons en aluminium, l'application d'une pâte entre la potence et le guidon n'est pas nécessaire.

5. Sur les potences marquées "NO GAP", les boulons des points de fixation marqués "NO GAP" doivent d'abord être serrés jusqu'à ce que la plaque avant et le corps de la potence soient en contact. Serrez ensuite les boulons opposés au couple final indiqué pour le modèle. Enfin, vérifiez le couple de serrage des 4 vis du plaque avant selon un schéma croisé jusqu'à ce que le couple de serrage recommandé soit atteint.

6. Avec la potence et le guidon fixés, centrez la potence par rapport à la roue avant.

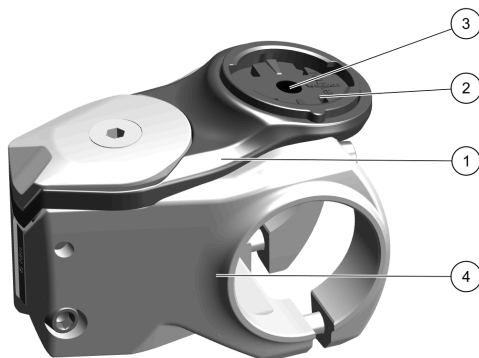
7. Serrez le bouchon supérieur de la potence au couple prescrit. Confirmez l'absence de jeu dans le jeu de direction en serrant le frein avant et en faisant bouger le vélo légèrement d'avant en arrière. De même, confirmez la rotation fluide du cintre dans les deux sens.

8. Appliquez de la graisse d'assemblage sur les boulons de l'attache de potence et serrez-les au couple prescrit.

# 11 FIXATION GPS OC CM-05

Le support GPS OC CM-05 est spécifique aux potences OC Mountain Control HS-02 compatibles avec la fonction Spinblock (il n'est pas nécessaire que le cadre ait une fonction Spinblock).

Les assemblages Orbea qui possèdent des fixations pour compteur OC proposent uniquement l'adaptateur pour les dispositifs Garmin/Sigma. Si vous souhaitez utiliser un dispositif d'une autre marque, il faudra acheter un kit d'adaptateur pour Garmin/Sigma, Wahoo et Bryton CT-02.

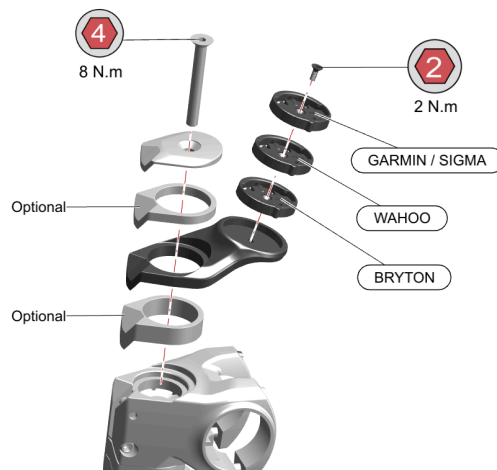


1. Corps de fixation du compteur CM-05
2. Adaptateur pour Garmin, Sigma, Wahoo et Bryton
3. Boulon de fixation d'adaptateur
4. Potence Mountain Control

## CARACTÉRISTIQUES TECHNIQUES

MATÉRIAU	Polymère
TAILLE (mm)	83x44x40 mm.
POIDS (g)	13 g
COULEUR	Noir
POTENCES OC COMPATIBLES	Jeu de direction HS02 OC Mountain Control
DISPOSITIFS COMPATIBLES	Garmin / Sigma / Bryton / Wahoo

## VUE ÉCLATÉE ET COUPLES DE SERRAGE

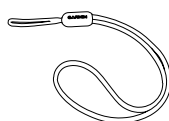


**ATTENTION**

Quand le support de GPS est monté au-dessus de la potence, la hauteur du pivot de fourche doit être adaptée à la hauteur de la potence avec les entretoises de jeu de direction et/ou le support de GPS monté. Consultez la section de ce manuel relative aux potences pour avoir plus d'informations sur la hauteur recommandée du pivot de fourche sur la potence.

**ATTENTION**

Orbea vous rappelle la recommandation des fabricants de GPS d'utiliser le cordon de sécurité fourni avec le compteur et de l'attacher au guidon pour éviter d'endommager ou de perdre le dispositif en cas d'accident.



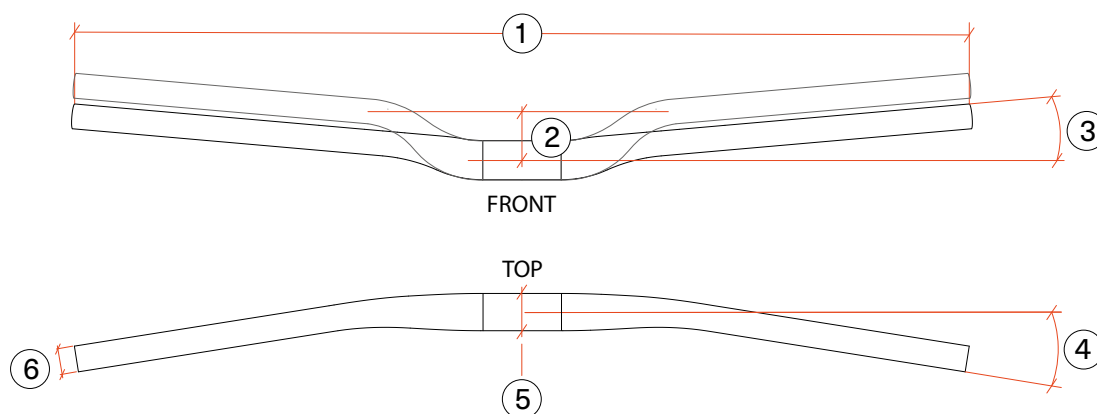
# 12 GUIDON

## CARACTÉRISTIQUES TECHNIQUES DU GUIDON OC

Découvrez toute la gamme de guidons OC sur notre site Internet : [Équipement \(Équipement\) > OC Components \(Composants OC\) > Handlebars \(Guidons\)](#)

### CARACTÉRISTIQUES DU GUIDON OC SUR LE RISE

	MATÉRIAU	LARGEUR (1)	RISE (2)	UPSWEEP (3)	BACKSWEEP (4)	DIAMÈTRE DE L'ATTACHE DE POTENCE (5)	DIAMÈTRE DES EXTRÉMITÉS (6)	POIDS	UTILISATION PRÉVUE
<b>HB-MC10</b>	Carbone	800 mm	20/35 mm	5°	8°	35 mm	22,2 mm	environ 225 g	Trail/Enduro. ASTM5
<b>HB-MC21</b>	AL7050	800 mm	20 mm	5°	8°	35 mm	22,2 mm	environ 325 g	Trail/Enduro. ASTM5
<b>HB-MC31</b>	AL6069	800 mm	20 mm	3°	9°	35 mm	22,2 mm	environ 385 g	Trail/Enduro. ASTM5

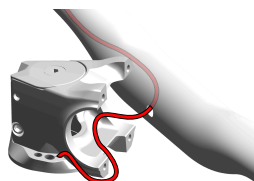


## CÂBLAGE INTERNE DES COMPOSANTS ÉLECTRONIQUES

Les guidons OC spécifiés permettent, avec les potences OC Mountain Control, l'acheminement interne des câbles des composants du système électrique, tels que le bouton-poussoir SW-EN600. Consultez la section relative au câblage du guidon et de la potence des composants Shimano de ce manuel pour en savoir plus sur l'assemblage et le câblage de chacune des options.

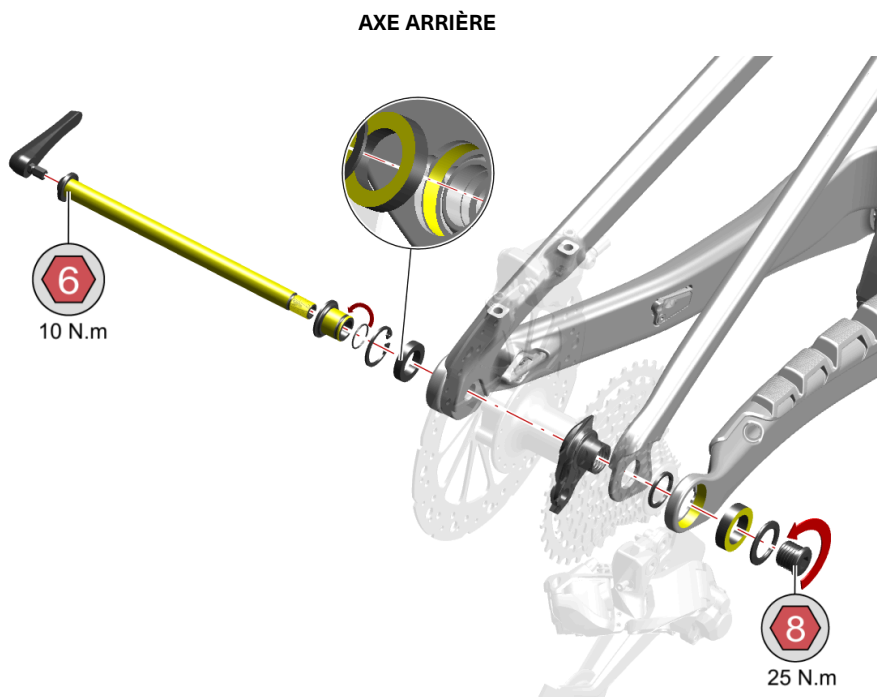
### ATTENTION

Si le guidon OC monté à l'origine sur le vélo est remplacé, le nouveau guidon doit permettre l'acheminement interne des composants électroniques. Sinon, les câbles de ces composants doivent être positionnés sur la partie extérieure des guidons et de la potence.



# 13 AXES DE ROUE ET PATTE DE DÉRAILLEUR

## PÂTES D'ASSEMBLAGE ET COUPLES DE SERRAGE



COULEUR	TYPE DE PÂTE	DESCRIPTION
	LUBRIFICATION	GRAISSE : graisse d'assemblage pour éviter les grincements et le grippage. Compatible avec les surfaces en carbone et en aluminium.

### ATTENTION

Consultez la section relative aux pièces détachées de ce manuel pour trouver les références des pièces.

**ATTENTION**

**COMPATIBILITÉ AVEC LE DÉRAILLEUR SRAM T-TYPE** : le modèle Rise, dans la mesure où il utilise une patte de dérailleur SRAM UDH, est compatible avec les dérailleurs SRAM T-Type à montage direct sur le cadre (sans patte de dérailleur).

**ATTENTION**

**AXE AVANT** : les instructions de montage spécifiques pour l'axe traversant des fourches à suspension sont définies par le fabricant de la fourche. Consultez les instructions d'utilisation dans la documentation du fabricant.

[Axe Fox 15QR](#)

[Fox Kabolt](#)

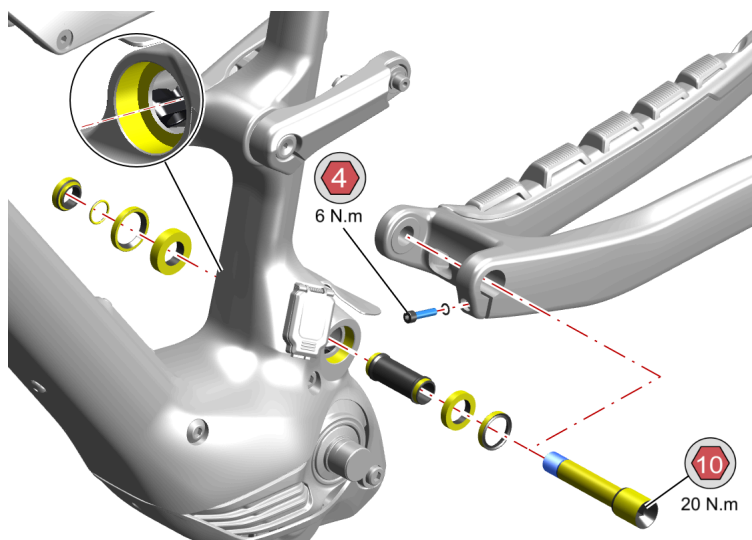
**RETRAIT DU CIRCLIP DE RETENUE DU ROULEMENT DE PATTE GAUCHE**



Pour retirer le roulement du point de pivot gauche, vous devez retirer le circlip de retenue du roulement. Utilisez un petit tournevis plat et insérez-le dans l'encoche prévue à cet effet dans le logement du roulement et faites levier pour retirer le circlip, en ayant préalablement positionné la partie ouverte du circlip à 90° par rapport à la position de l'encoche. Faites attention et utilisez du ruban adhésif ou un autre type de matériau pour éviter de marquer ou d'endommager la base arrière avec le tournevis lorsque vous retirez le circlip.



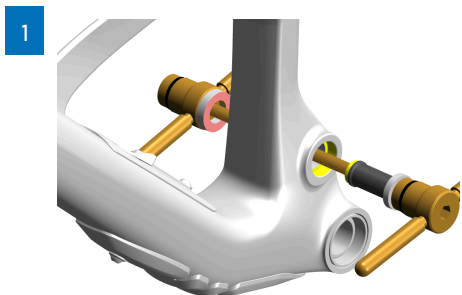
# 14 POINT PIVOT PRINCIPAL DU BRAS OSCILLANT

## PÂTES D'ASSEMBLAGE ET COUPLES DE SERRAGE

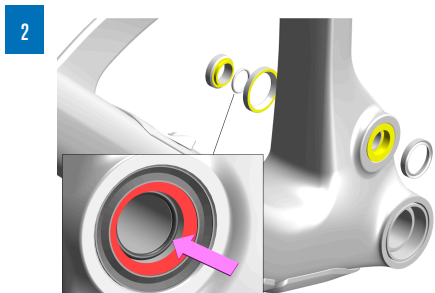


COULEUR	TYPE DE PÂTE	DESCRIPTION
	LUBRIFICATION	GRAISSE : graisse d'assemblage pour éviter les grincements et le grippage. Compatible avec les surfaces en carbone et en aluminium.
	FIXATION	FREIN FILET : résistance moyenne. Type Loctite 243.

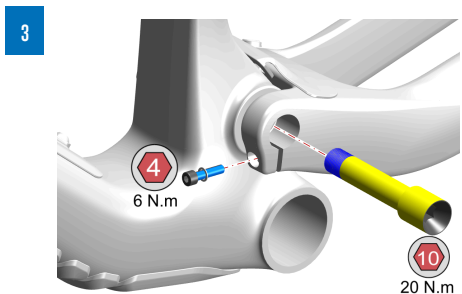
## PROCÉDURE D'INSTALLATION



1. Appliquez de la graisse d'assemblage sur les logements de roulement du cadre et de l'entretoise. Placez l'un des roulements dans le logement de l'entretoise. À l'aide d'une presse à roulement, insérez l'ensemble d'entretoise et de roulement par le côté gauche, et l'autre roulement par le côté droit.



2. Appliquez de la graisse sur l'extérieur des deux roulements et positionnez les joints en veillant à ce que la partie plate du joint soit celle qui entre en contact avec le roulement. Sur le côté droit, positionnez le joint torique comme indiqué dans la vue détaillée, puis insérez la bague.



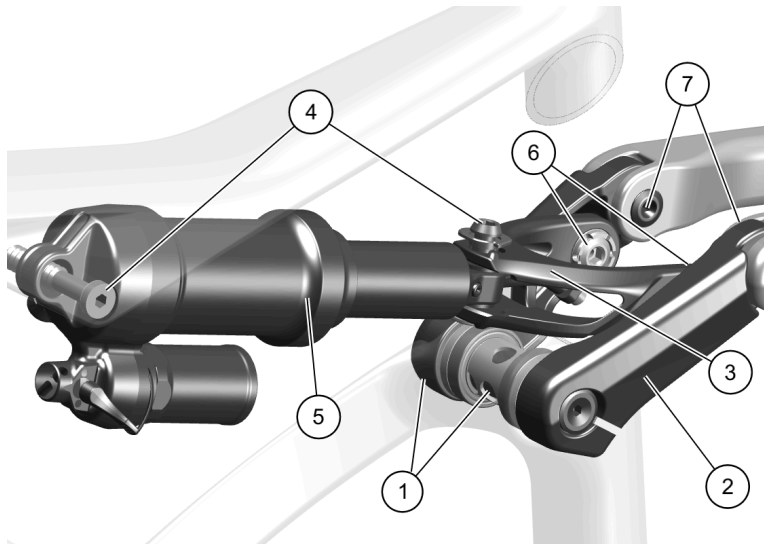
3. Appliquez de la graisse d'assemblage sur le corps et la tête de l'axe traversant et du frein filet de résistance moyenne sur les filetages. Insérez-le et serrez-le au couple de serrage indiqué (20 Nm). Ensuite, appliquez du frein filet de force moyenne sur le boulon de fixation de la base arrière gauche et serrez-le à 6 Nm.

## 15 ZONE DE BIELLETTE ET D'AMORTISSEUR

Les modèles Rise SL et LT partagent la même boulonnerie en deux parties avec une rallonge spécifique pour chacun des ensembles (SL ou LT), ce qui permet d'obtenir des caractéristiques différentes entre les deux modèles. Le système d'amortissement du Rise Hydro SL est équipé d'une rallonge en aluminium pour obtenir un débattement arrière de 140 mm, ce qui lui confère une géométrie et un système de suspension de trail rapide.

Le Rise LT est équipé d'une rallonge en aluminium pour obtenir un débattement arrière de 150 mm (pneumatique ou ressort) permettant une géométrie audacieuse pour s'attaquer aux sentiers les plus difficiles. De plus, pour le Rise LT, le Quick Flip installé sur la fixation de rallonge d'amortisseur vous permet de passer en quelques secondes de la géométrie Haute à la géométrie Basse, afin d'adapter le vélo à l'itinéraire prévu. Consultez la section « géométrie » pour connaître les changements de géométrie entre les deux options.

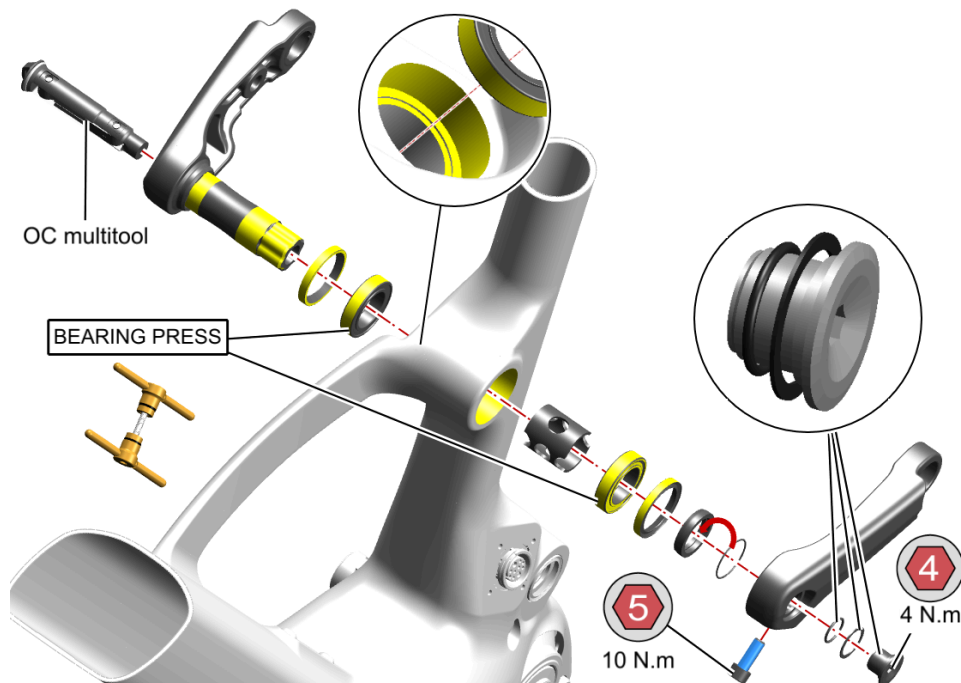
## ÉLÉMENTS



1. Bielle droite + axe (1 pièce)
2. Bielle gauche
3. Rallonge : (SL ou LT)
4. Boulonnerie de fixation de la cale (avec système Flip Chip sur modèle LT)
5. Amortisseur (à ressort ou pneumatique)  
SL : 210x50 mm / LT : 210x55 mm
6. Boulonnerie rallonge-bielle
7. Boulonnerie bielle-hauban.

## PÂTES D'ASSEMBLAGE ET COUPLES DE SERRAGE

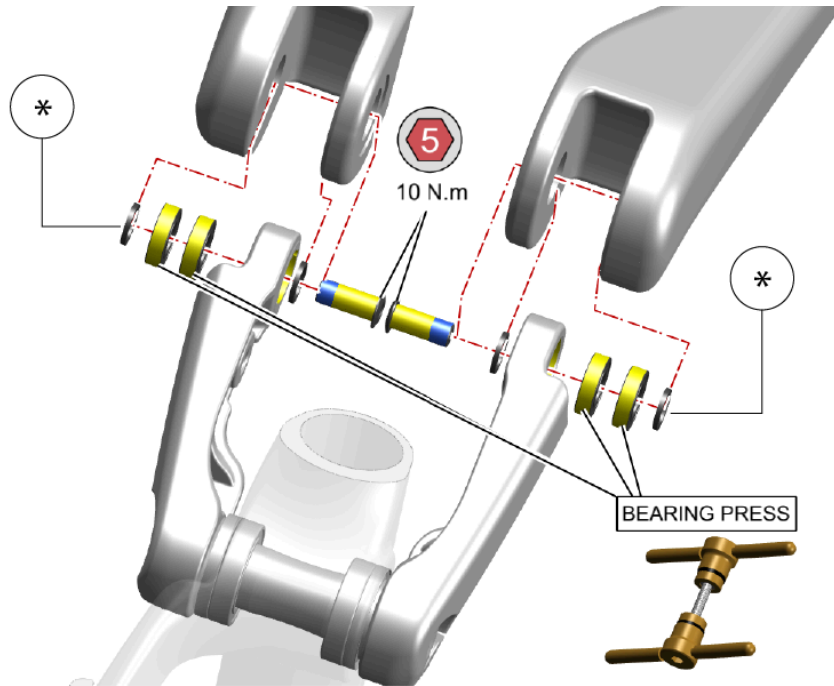
### POINT PIVOT CADRE-BIELLETTE PÂTES D'ASSEMBLAGE ET COUPLES DE SERRAGE



COULEUR	TYPE DE PÂTE	DESCRIPTION
	LUBRIFICATION	GRAISSE : graisse d'assemblage pour éviter les grincements et le grippage. Compatible avec les surfaces en carbone et en aluminium.
	FIXATION	FREIN FILET : résistance moyenne. Type Loctite 243.



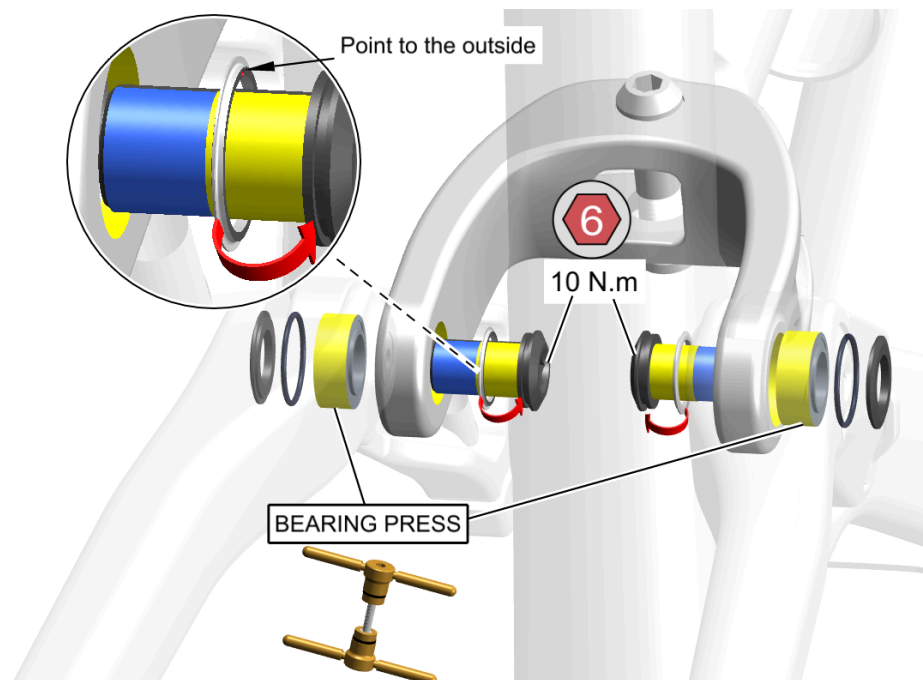
## POINT PIVOT HAUBAN-BIELLETTE PÂTES D'ASSEMBLAGE ET COUPLES DE SERRAGE



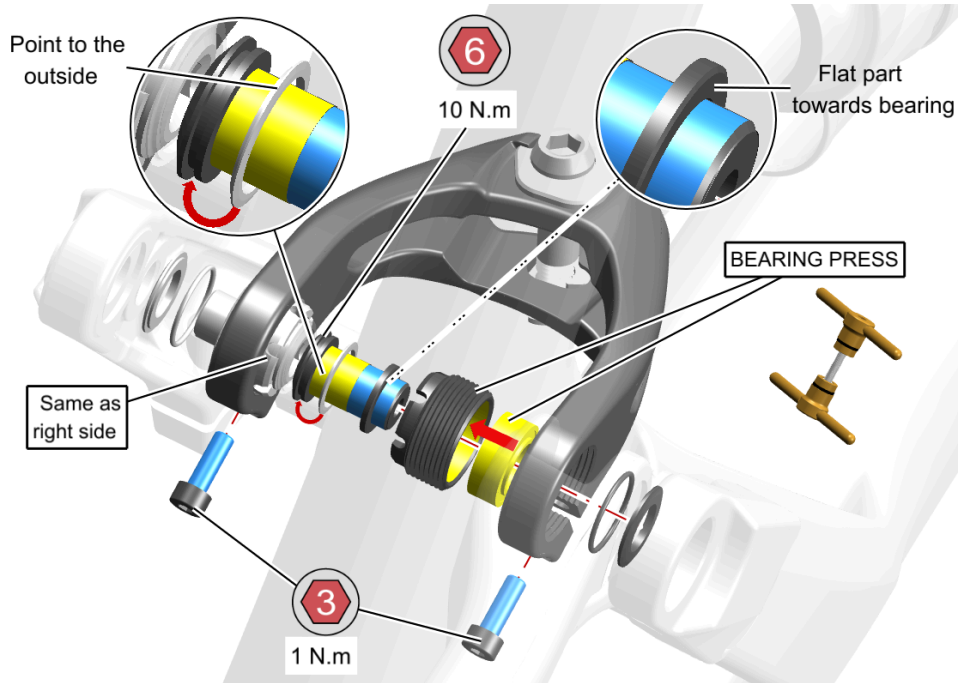
\* Positionnez la petite entretoise sur l'entretoise externe et large à l'intérieur de la biellette.



COULEUR	TYPE DE PÂTE	DESCRIPTION
	LUBRIFICATION	GRAISSE : graisse d'assemblage pour éviter les grincements et le grippage. Compatible avec les surfaces en carbone et en aluminium.
	FIXATION	FREIN FILET : résistance moyenne. Type Loctite 243.

## RALLONGE SL. PÂTES D'ASSEMBLAGE ET COUPLES DE SERRAGE

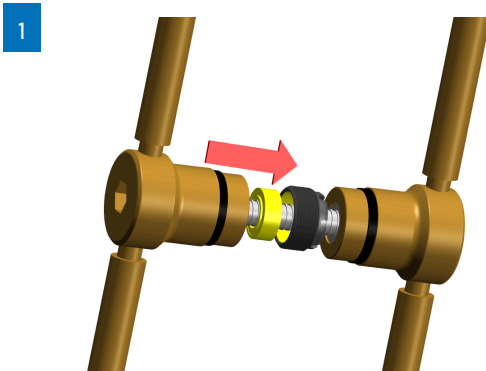


## RALLONGE LT. PÂTES D'ASSEMBLAGE ET COUPLES DE SERRAGE



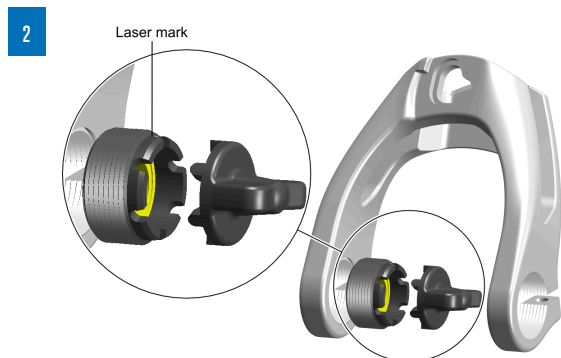
COULEUR	TYPE DE PÂTE	DESCRIPTION
	LUBRIFICATION	GRAISSE : graisse d'assemblage pour éviter les grincements et le grippage. Compatible avec les surfaces en carbone et en aluminium.
	FIXATION	FREIN FILET : résistance moyenne. Type Loctite 243.

## INSTALLATION DE LA RALLONGE LT

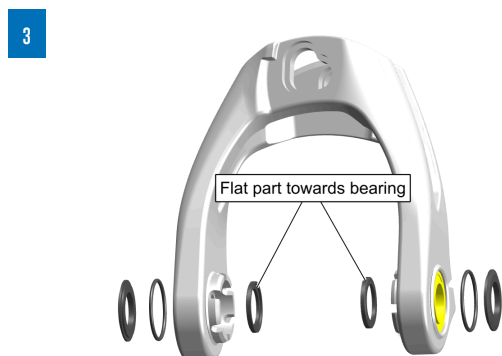


1. À l'aide d'une presse à roulements, installez les roulements dans les cuvettes en partant du côté de la cuvette sans cannelures de montage. Appliquez de la graisse d'assemblage à l'intérieur des cuvettes et des bagues de roulement avant l'installation.

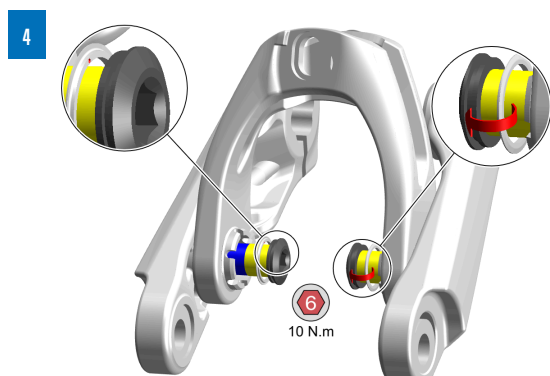
Continues next page >



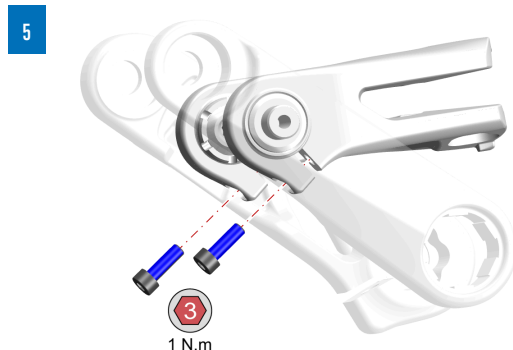
2. Les roulements étant déjà montés dans les cuvettes, installez-les sur la rallonge, à l'aide de l'outil spécifique, jusqu'au repère laser (indiqué dans la vue détaillée).



3. Appliquez de la graisse sur l'extérieur des deux roulements et positionnez les joints en veillant à ce que la partie plate du joint soit celle qui entre en contact avec le roulement.



4. Placez les anneaux anti-poussière dans la gorge de l'axe, en positionnant la pointe vers la face externe comme indiqué sur la vue détaillée (graissez l'anneau pour faciliter le montage). Appliquez de la graisse d'assemblage sur le corps et la tête de l'axe traversant et du frein filet de résistance moyenne sur les filetages. Insérez-le et serrez-le au couple indiqué (10 Nm).

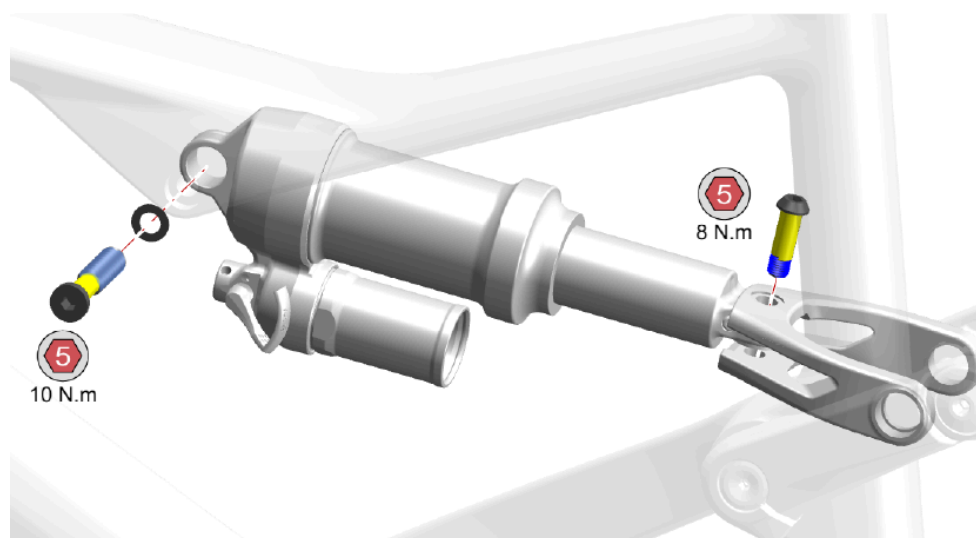


5. Appliquez du frein-filet de résistance moyenne sur les filets du boulon de fixation et serrez à 1 Nm.

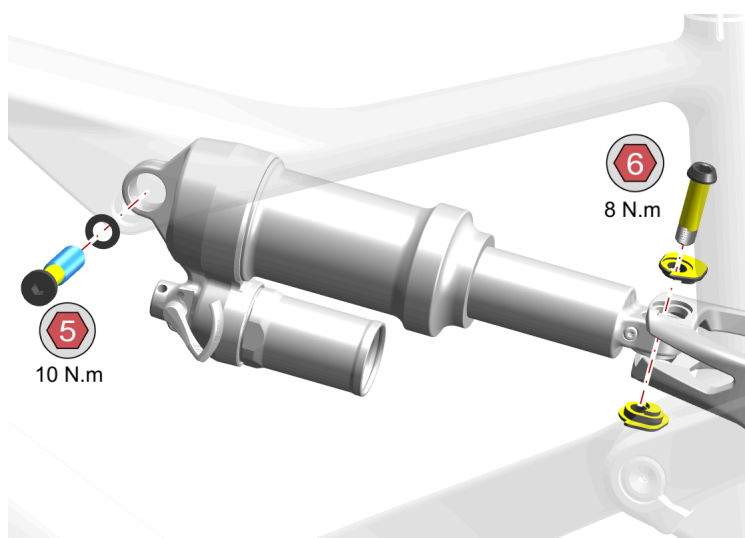
## INSTALLATION DE LA RALLONGE SL



Dans la rallonge Rise SL, les roulements sont insérés directement dans leur logement, ce qui élimine le besoin de cuvettes. Une fois les roulements installés, suivez les étapes 2 et 3 du processus d'installation de la rallonge LT ci-dessus pour terminer l'assemblage.

## FIXATION DE L'AMORTISSEUR SL



## FIXATION DE L'AMORTISSEUR LT



COULEUR	TYPE DE PÂTE	DESCRIPTION
	LUBRIFICATION	GRAISSE : graisse d'assemblage pour éviter les grincements et le grippage. Compatible avec les surfaces en carbone et en aluminium.
	FIXATION	FREIN FILET : résistance moyenne. Type Loctite 243.

## ATTITUDE ADJUST MODIFICATION DE LA GÉOMÉTRIE SUR LES MODÈLES LT

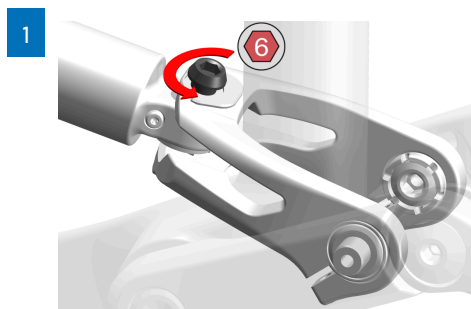
Le modèle Rise LT vous permet d'avoir deux options de géométrie sur le même vélo en changeant la position du Quick Flip dans la pièce d'amortisseur. La position basse offre une position plus détendue pour les sentiers les plus exigeants, tandis que la position haute augmente les angles du tube de direction et du tube de selle d'un demi-degré, ce qui rend le vélo un peu plus réactif. Consultez les informations complètes sur les deux options dans la section sur la géométrie.

## INSTRUCTIONS POUR MODIFIER LES GÉOMÉTRIES HAUTE ET BASSE

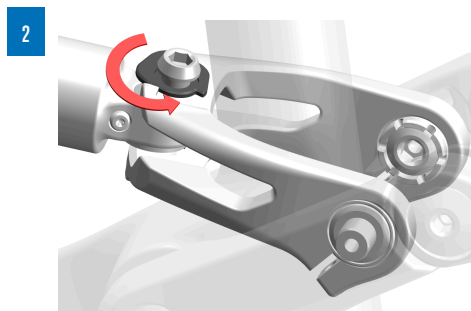
### ATTENTION

Ce processus décrit le passage de la position « Haute » la position « Basse ». Procédez de la même manière, mais en plaçant l'embout supérieur dans la position indiquée sur la première image pour effectuer le processus inverse.

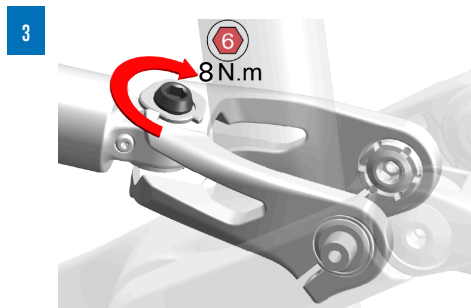
Consultez [ici](#) la vidéo d'instruction sur la façon d'utiliser la technologie Attitude Adjust.



1. Desserrez le boulon fixant l'amortisseur à la rallonge à l'aide d'une clé Allen de 6 (pour cela, vous pouvez utiliser la came de l'axe arrière).



2. Tirez le tube supérieur vers le haut jusqu'à ce que l'embout supérieur du Quick Flip soit positionné comme indiqué sur l'image.



3. Serrez à nouveau le boulon de serrage à 8 Nm (vous pouvez provisoirement utiliser la came de l'axe arrière pour effectuer cette opération si vous êtes sur la route).

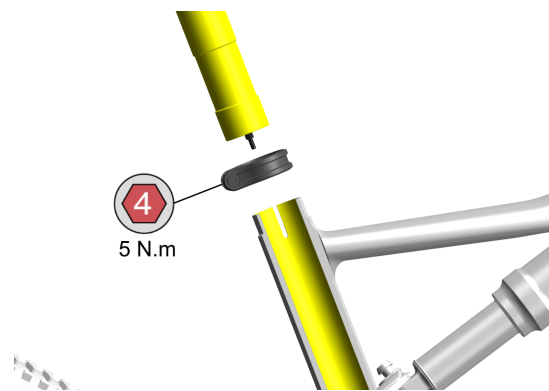
# 16 POSE DU COLLIER DE TIGE DE SELLE


## ATTENTION

Consultez les manuels de tige de selle télescopique OC sur notre site Internet :

[www.orbea.com/fr-fr/](http://www.orbea.com/fr-fr/) > Assistance > Manuels > Produit

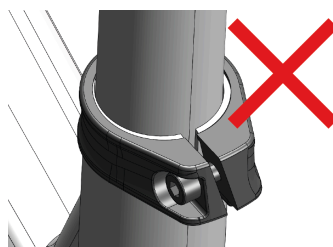
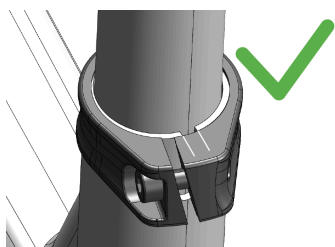
Pour obtenir les instructions d'installation des tiges de selle d'autres fabricants, consultez la documentation des fabricants respectifs.



COULEUR	TYPE DE PÂTE	DESCRIPTION
	LUBRIFICATION	GRAISSE : graisse d'assemblage pour éviter les grincements et le grippage.

## ATTENTION

Positionnez toujours l'attache de la tige de selle de sorte que les repères correspondent avec la fente du tube de cadre. La fente de l'attache ne doit pas correspondre à la fente du tube du cadre.

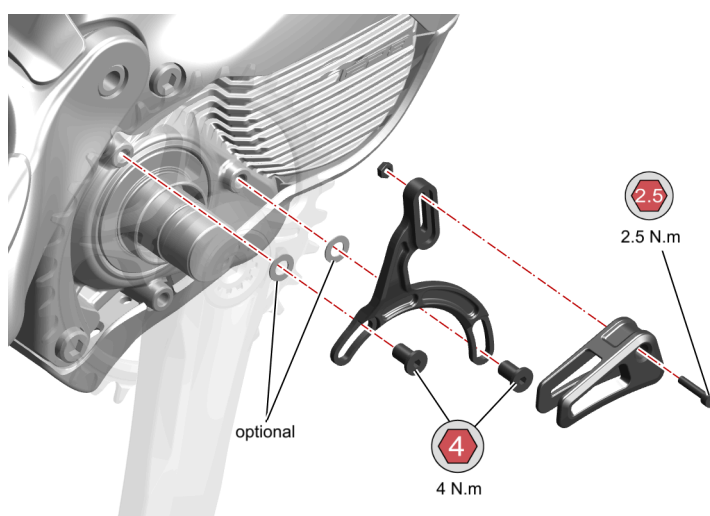


# 17 GUIDE-CHAÎNE

## ATTENTION

S'il n'est pas possible d'accéder aux boulons de fixation du guide-chaîne à travers le pédalier du plateau lorsqu'il est monté, vous devez démonter la manivelle droite et le plateau pour retirer le guide-chaîne. Consultez la section relative au retrait de la batterie interne pour avoir des informations sur la méthode de retrait de la manivelle et du plateau.

Le guide-chaîne installé sur le Rise est exclusivement destiné aux plateaux ayant une ligne de chaîne de 55 mm.



# 18 LOCKR. RANGEMENT DES OUTILS DANS LE CADRE

## MULTI-OUTIL OC FLP MT-20 ET CAME D'ESSIEU ARRIÈRE

Pour éviter d'avoir à emporter des bagages supplémentaires pendant vos sorties, le Rise intègre une came de 6 mm sur l'axe arrière qui permet de retirer la roue arrière et de passer de la géométrie Haute à la géométrie Basse pour les versions LT.

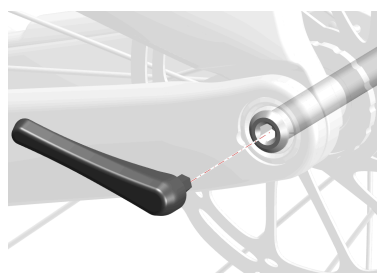
L'arbre creux de la biellette offre la possibilité d'inclure un multi-outil OC FLP MT-20 avec des clés Allen de 2, 3, 4 et 5 mm. Ces outils sont inclus dans certains modèles, mais pour le reste, ils sont proposés en option.

Les deux outils sont disponibles sur le site Internet d'Orbea comme composants de rechange. Consultez la section relative aux pièces détachées de ce manuel pour trouver les références des pièces.

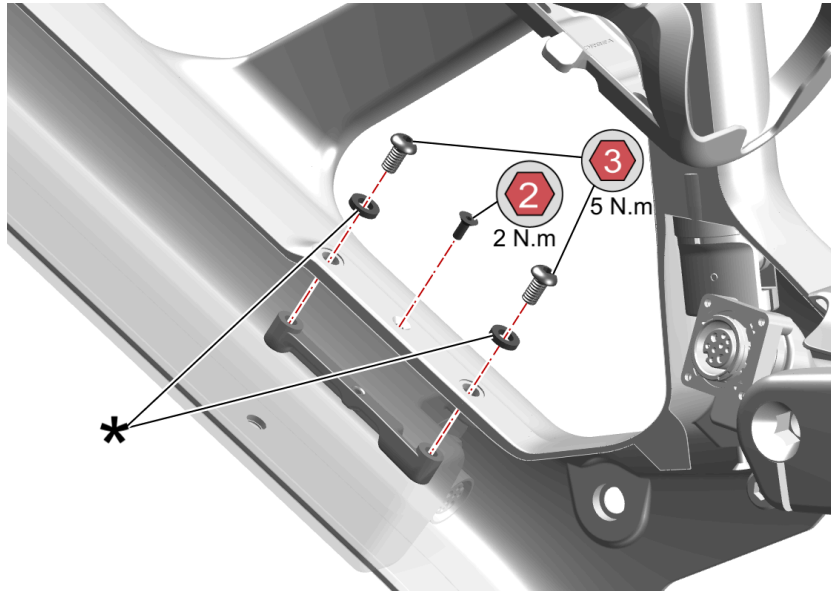
MULTI-OUTILS OC FLP MT-20



CAME D'AXE ARRIÈRE



# 19 PLAQUE DE PORTE-BIDON



## ATTENTION

Vous devez déposer le moteur électrique et la batterie interne du cadre pour remplacer la plaque de fixation interne du porte-bidon. Reportez-vous à la section de ce manuel consacrée au retrait de la batterie interne pour connaître la procédure de retrait.

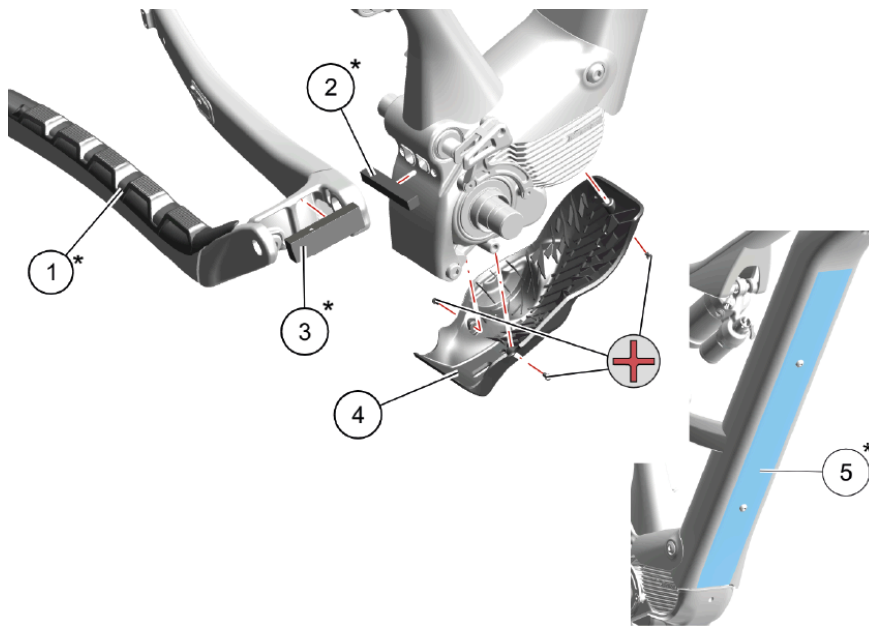
## ATTENTION

\* Le Rise est équipé de série du support de batterie externe Range Extender 210Wh, qui est compatible avec l'utilisation de bidons standard lorsque la batterie externe n'est pas utilisée. Vous n'avez pas besoin des rondelles indiquées sur l'image pour installer la fixation du Range Extender sur le cadre. Toutefois, si un porte-bidon standard est monté à la place de la fixation du Range Extender et qu'il n'entre pas en contact avec le cadre, vous pouvez utiliser des rondelles pour compenser l'espace libre entre le bas du porte-bidon et le cadre. Ces rondelles ne sont pas fournies avec votre vélo, mais elles sont disponibles pour ma plaque de fixation du porte-bidon de remplacement. Consultez la section relative aux pièces détachées de ce manuel pour trouver les références des pièces.



# 20 PROTECTIONS

## PROTECTION DU MOTEUR ET DE LA BASE ARRIÈRE



1. Protection adhésive en caoutchouc pour base arrière
2. Protection inférieure en mousse adhésive FT
3. Protection supérieure en mousse adhésive à charnière
4. Protection du moteur électrique EP801/EP6
5. Protection adhésive transparente du tube diagonal

### ATTENTION

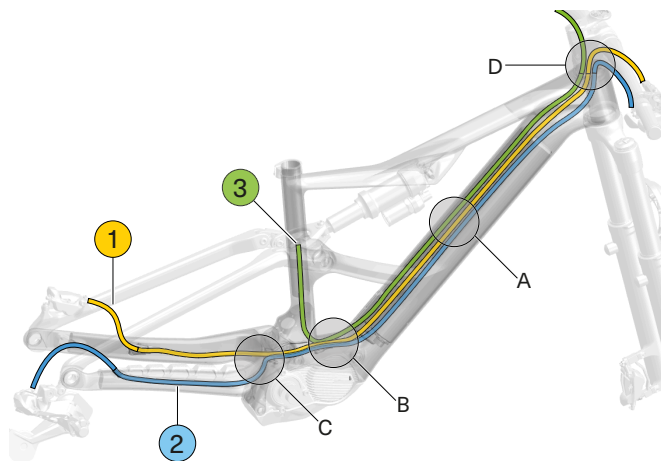
**\* INSTALLATION DES PROTECTIONS ADHÉSIVES :** Pour installer les protections adhésives sur le cadre, nettoyez d'abord la zone d'installation avec de l'alcool isopropylique (concentration maximale de 70 %) afin d'éliminer toute saleté ou tout reste d'une protection précédente. Retirez ensuite la protection adhésive de la nouvelle protection et installez la protection à l'endroit approprié, en appuyant sur toute la surface pour s'assurer qu'elle s'adapte et adhère bien au contour du cadre.

**INSTALLATION DE LA PROTECTION EN CAOUTCHOUC DE LA BASE ARRIÈRE DROITE :** Si vous devez remplacer la protection en caoutchouc de la base arrière droite, vous devez retirer le tube d'acheminement de câble de la base arrière droite, car ce tube est collé à l'extérieur de l'orifice de sortie du câble de la protection en caoutchouc. Reportez-vous à la section de ce manuel relative à l'installation du tube de passe-câble pour avoir plus d'informations sur la méthode d'installation.

# 21 CÂBLAGE

## PRÉSENTATION DU CÂBLAGE DE COMPOSANTS DU CADRE

### COMPOSANTS MÉCANIQUES



1. Commande au guidon de tige de selle télescopique

---

2. Dérailleur (mécanique)

---

3. Frein arrière

---

- A. Gains au-dessus de la batterie sans croisement

---

- B. Consultez la section relative au câblage du compartiment moteur

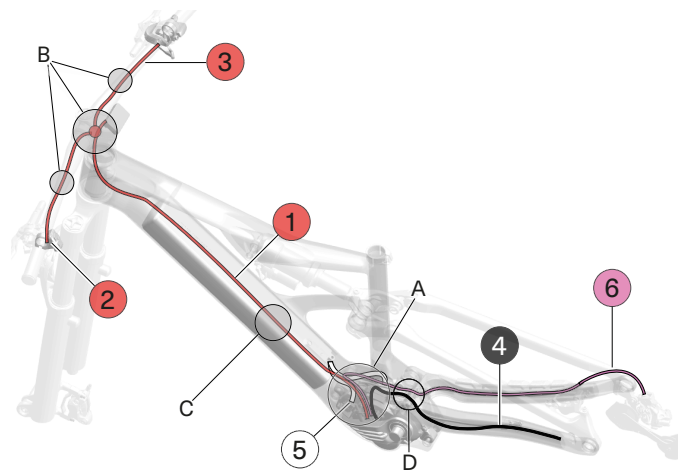
---

- C. Consultez la section relative au passe-câbles

---

- D. Consultez la section consacrée au jeu de direction

### COMPOSANTS DU SYSTÈME ÉLECTRIQUE



1. Câble Shimano EW-SD300 de 1200 mm (pour le boîtier de jonction ou l'écran)

---

2. Câble Shimano EW-SD300 de 700 mm (pour la commande à distance SW-EN600)

---

3. Câble Shimano EW-SD300 700 mm (avec ensemble de rechange-poignées XT Di2-)

---

4. Capteur de vitesse EW-SS301

---

5. Faisceau de câbles de l'Orbea RS 2e gén. (batterie-moteur électrique-point de charge)

---

6. Câble Shimano EW-SD300 700 mm (avec ensemble de rechange-came Di2-)

---

- A. Consultez les sections relatives au câblage du compartiment moteur et aux branchements du moteur électrique

---

- B. Consultez la section relative aux câblage du Di2 sur le guidon et la potence

---

- C. Câble au-dessus de la batterie sans croisement

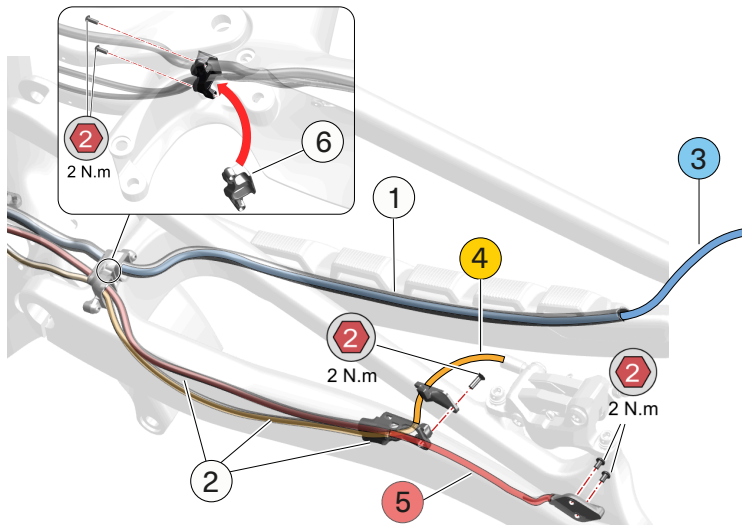
---

- D. Consultez la section relative au passe-câbles

## PASSE-CÂBLES. CÂBLAGE ENTRE LE TRIANGLE PRINCIPAL ET LE BRAS OSCILLANT.

Le système de passe-câbles protège les câbles et le logement entre le triangle principal du cadre et le bras oscillant et facilite le câble du moteur électrique et du jeu de direction.

Sur le Rise, le système de passe-câbles se compose de 3 éléments : un tube de guidage pour le logement du dérailleur arrière, l'ensemble des tubes et l'orifice de sortie de la base arrière gauche de la conduite de frein arrière et du capteur de vitesse, et le guide-câble de passe-câbles à l'arrière du compartiment du moteur électrique du triangle principal du cadre.



1. Base arrière droite du tube de passe-câble
2. Base arrière gauche des tubes de passe-câbles et orifice de sortie (1 pièce)
3. Logement du dérailleur arrière
4. Conduite de frein arrière
5. Capteur de vitesse EW-SS301
6. Guide de passe-câble

**ATTENTION**

Consultez la section relative aux pièces détachées de ce manuel pour trouver les références des pièces.

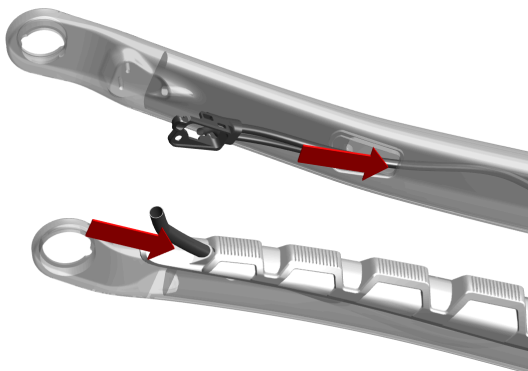
## POSE DES TUBES DE PASSE-CÂBLES

**ATTENTION**

L'installation des tubes de passe-câbles nécessite des connaissances mécaniques avancées, puisqu'il faut retirer le moteur et éventuellement le bras oscillant du triangle principal du cadre. Apporter votre vélo chez un revendeur agréé pour ce type de réparation et de maintenance. Les dommages causés au niveau des composants par une installation incorrecte ne sont pas couverts par la garantie.

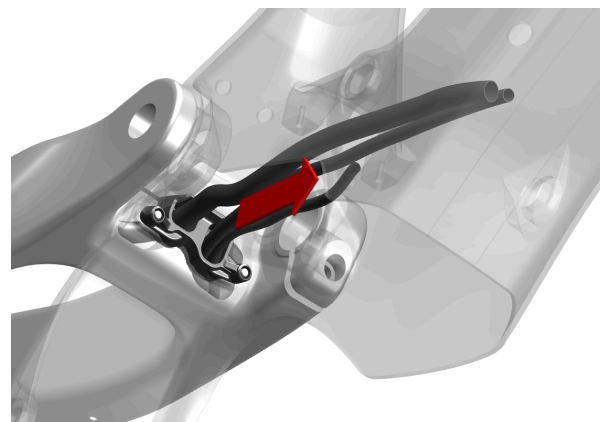
Consultez la section de ce manuel consacrée au retrait de la batterie interne pour connaître la méthode de retrait du moteur électrique afin d'accéder au logement du moteur électrique.

1



Insérez le tube de la base arrière droite et l'ensemble de tubes et de guides-câbles de la base gauche dans les orifices des deux bases. La protection en caoutchouc de la

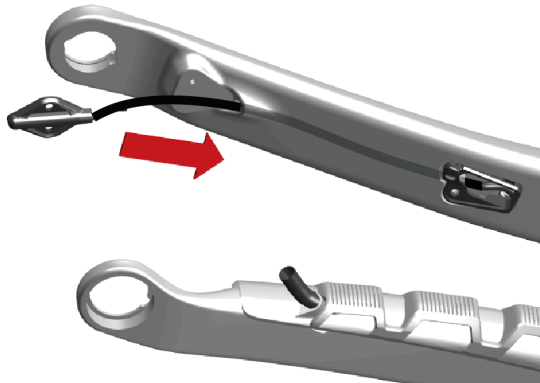
2



Amenez les tubes vers leur sortie correspondante (du même côté) du bras oscillant et du compartiment du moteur électrique.

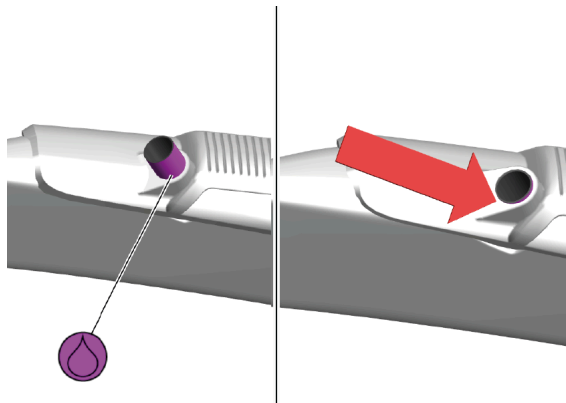
base doit être préinstallée sur la base, le tube de passe-câble est guidé à travers le trou de la protection.

3



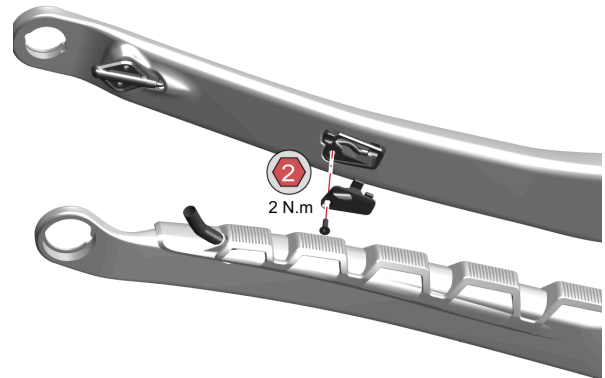
Insérez le câble du capteur de vitesse dans l'orifice correspondant et guidez-le dans le tube de passe-câbles jusqu'au compartiment du moteur électrique.

5



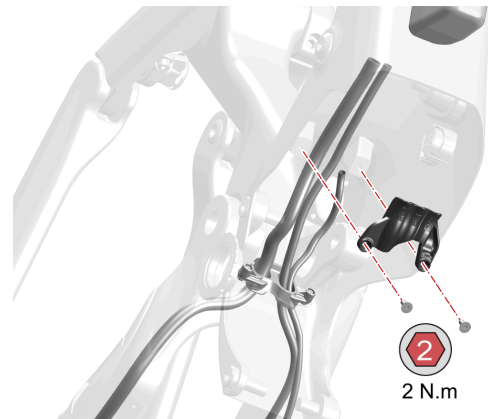
Appliquez une petite quantité de produit adhésif à deux composants ou instantané sur la partie du tube qui est en contact avec l'orifice de la protection en caoutchouc de la base arrière droite et terminez d'installer le tube dans l'orifice de la protection. Nettoyez immédiatement l'excédent de produit adhésif avec de l'alcool isopropylique (concentration maximale de 70 %) et laissez sécher selon les recommandations du fabricant du produit adhésif.

4



Installez le capuchon d'orifice de la base arrière gauche.

6

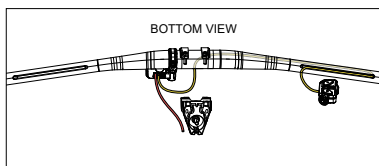
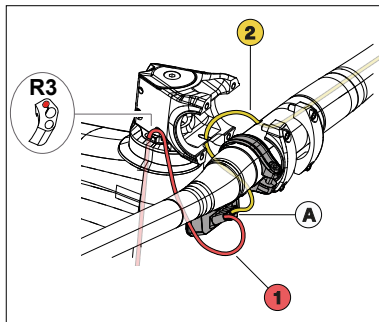
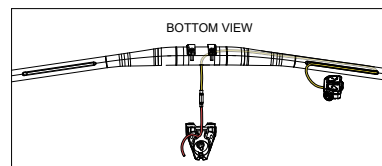
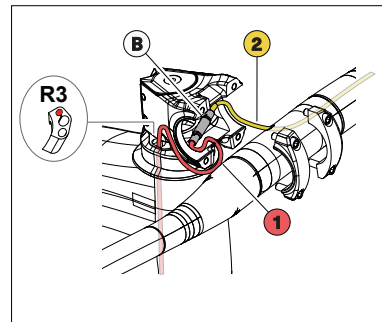
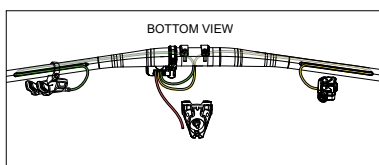
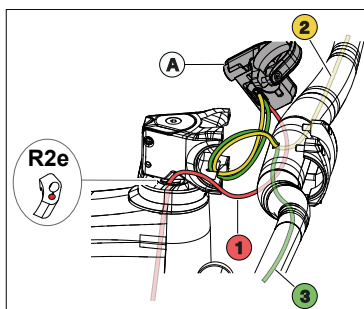
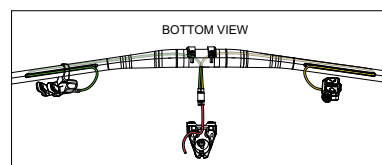
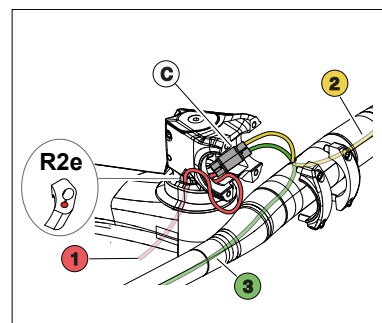


Installez le guide-câble de compartiment du moteur électrique. Consultez la section relative au câblage dans le compartiment du moteur électrique pour connaître la position de toutes les gaines et de tous les câbles de la zone.



**ATTENTION**

Consultez la section relatives au composants du système d'assistance au pédalage électrique pour avoir plus d'informations sur le système d'assistance électrique au pédalage.

**CÂBLAGE DE LA POTENCE OC MOUNTAIN CONTROL HS02 ET DU GUIDON OC MOUNTAIN CONTROL****OPTION 1** Avec écran Shimano SC-EN600. Transmission mécanique**OPTION 2** Sans écran Shimano SC-EN600 Transmission mécanique**OPTION 3** Avec écran Shimano SC-EN600. Transmission Di2**OPTION 4** Sans écran Shimano SC-EN600 Transmission Di2

1. Câble Shimano EW-SD300 de 1 200 mm (pour le moteur électrique)

2. Câble Shimano EW-SD300 de 700 mm (pour la commande à distance SW-EN600)

3. Câble Shimano EW-SD300 700 mm (avec ensemble de rechange-poignées Di2 SW-M8150-IR)

A. Écran Shimano SC-EN600

B. Boîtier de jonction EW-JC302

C. Boîtier de jonction EW-JC304 (ensembles de rechange)

# 22 COMPOSANTS DU SYSTÈME D'ASSISTANCE AU PÉDALAGE ÉLECTRIQUE

## ATTENTION

L'installation des composants du système d'assistance au pédalage électrique requiert des connaissances poussées et il se peut que la majorité des utilisateurs ne possèdent pas les compétences suffisantes.

Consultez toujours un revendeur officiel pour obtenir un diagnostic des composants du système électrique du vélo, les faire réparer ou les installer.

Les composants endommagés suite à une installation incorrecte peuvent être exclus de la garantie

## ATTENTION

**AVIS DE COMPATIBILITÉ. COMPOSANTS DU SYSTÈME ÉLECTRIQUE 2E GÉN. :** Consultez le document de compatibilité croisée pour les composants des système Orbea Ebike [ici](#) ou rendez-vous sur notre site Internet : **Support (Aide) > Manuels (Manuels) > Ebike Components (Composants Ebike)**

## SCHEMA DE CONNEXION DES COMPOSANTS

La configuration du câblage sur le guidon et dans la potence change en fonction de l'option de montage avec ou sans un écran Shimano et avec ou sans une transmission mécanique ou électronique (cf. section relative au câblage de ce manuel). Tous les assemblages utilisent un câble EW-SD300 de 1 200 mm depuis le moteur électrique Shimano EP801. Le moteur électrique Shimano EP801 utilise la norme de câblage EW-SD300 Di2/STEPS. Consultez les images de cette section pour obtenir la liste des composants utilisés, ainsi que pour en savoir plus sur le câblage de chaque composant, en fonction de l'option. Reportez-vous à la section Câblage de ce manuel pour connaître l'acheminement des câbles du système électrique dans le cadre, la potence et le guidon.

## ATTENTION

Consultez la section relative aux pièces détachées de ce manuel pour trouver les références des pièces.

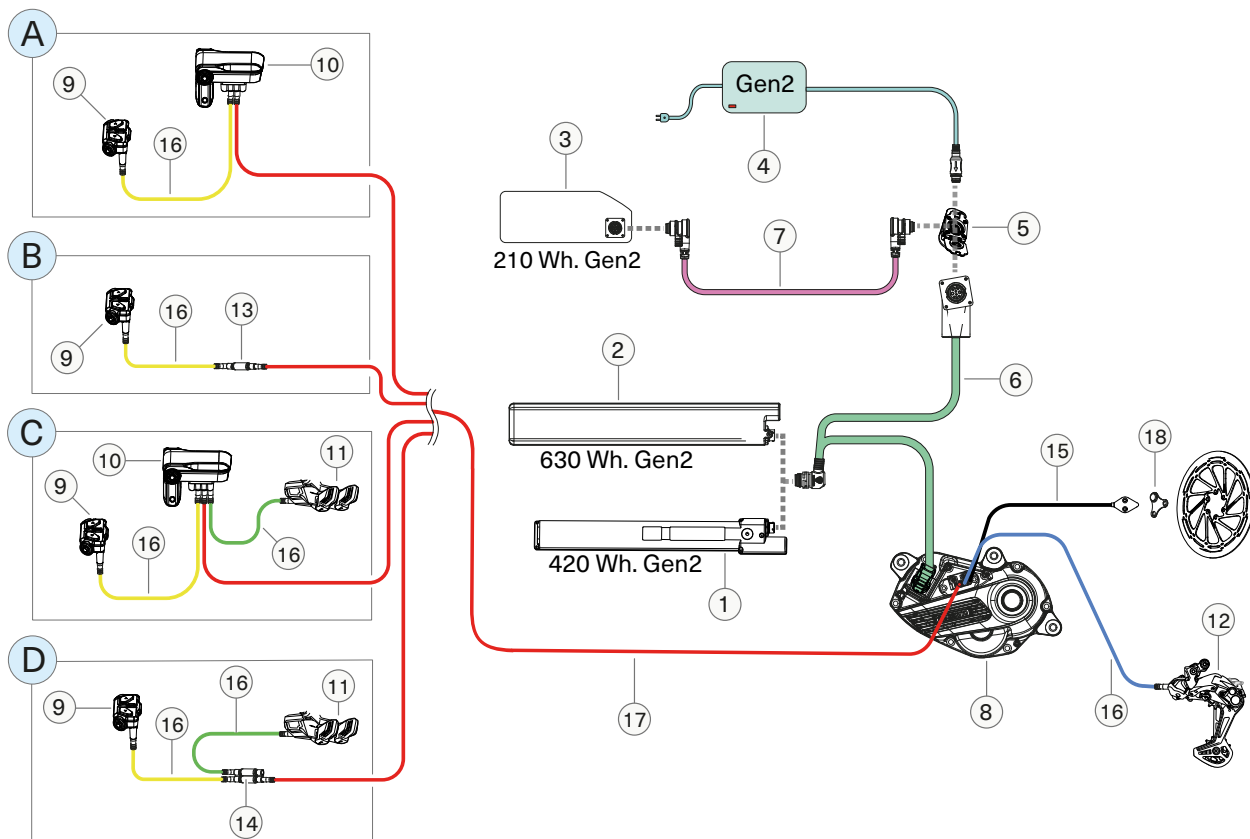
<b>A.</b>	Avec écran Shimano SC-EN600. Transmission mécanique	<b>C.</b>	Avec écran Shimano SC-EN600. Transmission Di2. Ensembles de rechange
<b>B.</b>	Sans écran Shimano SC-EN600. Transmission mécanique	<b>D.</b>	Sans écran Shimano SC-EN600. Transmission Di2. Ensembles de rechange

COMPOSANTS DES SYSTÈMES ORBEA EBIKE	COMPOSANTS SHIMANO*
1. Batterie 420 Wh 2e Gén	8. Moteur électrique EP801/EP6
2. Batterie 630 Wh 2e Gén	9. Télécommande SW-EN600-L
3. Range Extender RS 210 Wh 2e génération	10. Écran SC-EN600 (en option)
4. Chargeur Smart Charger 2e génération	11. Poignée XT Di2 SW-M8150-IR (ensembles de rechange)
5. Cache du point de charge du Rise 2025	12. Dérailleur XT Di2 RD-M8150-12 (ensembles de rechange)
6. Faisceau de câble du point de charge-moteur électrique-batterie Rise 25 2e Gén	13. Boîtier de jonction EW-JC302 (dans le guidon)
7. Câble du Range Extender 210Wh RS de 120 mm	14. Boîtier de jonction EW-JC304 (dans le guidon)
	15. Capteur de vitesse EW-SS301 (dans la base arrière gauche)
	16. Câble EW-SD300 de 1 200 mm

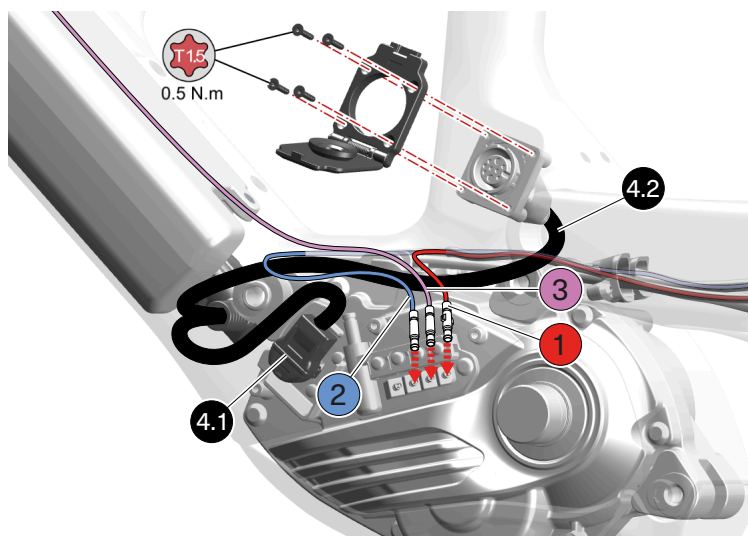
COMPOSANTS DES SYSTÈMES ORBEA EBIKE

COMPOSANTS SHIMANO\*

- 17. Câble EW-SD300 de 1 200 mm
- 18. Aimant du capteur de vitesse (cf. le tableau de compatibilité des disques)



BRANCHEMENT DES COMPOSANTS DU MOTEUR ÉLECTRIQUE





**COMPOSANTS SHIMANO\***

1. Capteur de vitesse EW-SS301
2. EW-SD300 1200 mm vers le dérailleur XT Di2 (ensembles de rechange)
3. Câble EW-SD300 pour le poste de pilotage de 1 200 mm

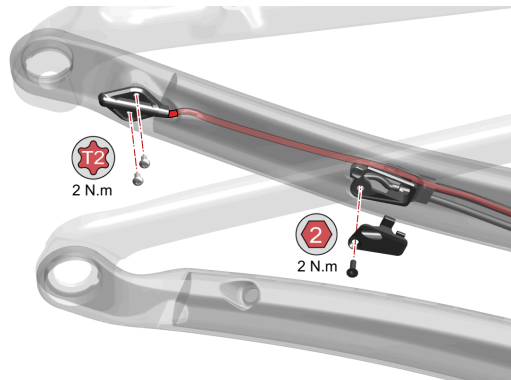
**COMPOSANTS DES SYSTÈMES ORBEA EBIKE**

- 4.1. Faisceau de câbles RS 2e gén. Branchement du moteur électrique EP801/EP6
- 4.2. Faisceau de câbles RS 2e gén. Port de charge

## CAPTEUR DE VITESSE. DISQUES DE FREIN ET AIMANTS COMPATIBLES

**ATTENTION**

Il n'est pas nécessaire de retirer le bras oscillant pour remplacer le capteur de vitesse. Vous devez retirer le moteur électrique pour accéder aux branchements et débrancher/rebrancher le capteur de vitesse (cf. sections relatives à la fixation du moteur électrique et au câbles du logement du moteur électrique de ce manuel). Ouvrez le port de passe-câble sur la base arrière gauche pour pouvoir acheminer le câble du nouveau capteur dans le tube de passe-câble situé dans la zone du moteur électrique.



### COMPATIBILITÉ DES FREINS À DISQUE ARRIÈRE

Le capteur de vitesse EW-SS301 monté sur le Rise est conçu pour l'utilisation de disques de frein arrière avec aimant intégré dans le pédalier du disque.

**DISQUES À 6 BOULONS** : La plupart des disques à 6 boulons sans aimant intégré sont compatibles avec l'aimant Orbea X240. Les disques à 6 boulons avec aimant intégré dans le pédalier sont compatibles.

**ROTORS CENTERLOCK** : Le capteur de vitesse EW-SS301 n'est compatible qu'avec les disques dont l'aimant est monté sur le pédalier. Les disques de frein sans aimant dans le pédalier, où l'aimant est intégré dans l'écrou de fixation Centerlock, ne sont pas compatibles.

**OPTIONS COMPATIBLES****CENTERLOCK****AIMANT**

Intégré dans le pédalier

**DISQUES CENTERLOCK :**  
(180-203 mm)

**6 BOULONS****AIMANT**

Aimant à 6 boulons Orbea  
**X240**

**DISQUES À 6 BOULONS**  
(180-203 mm)

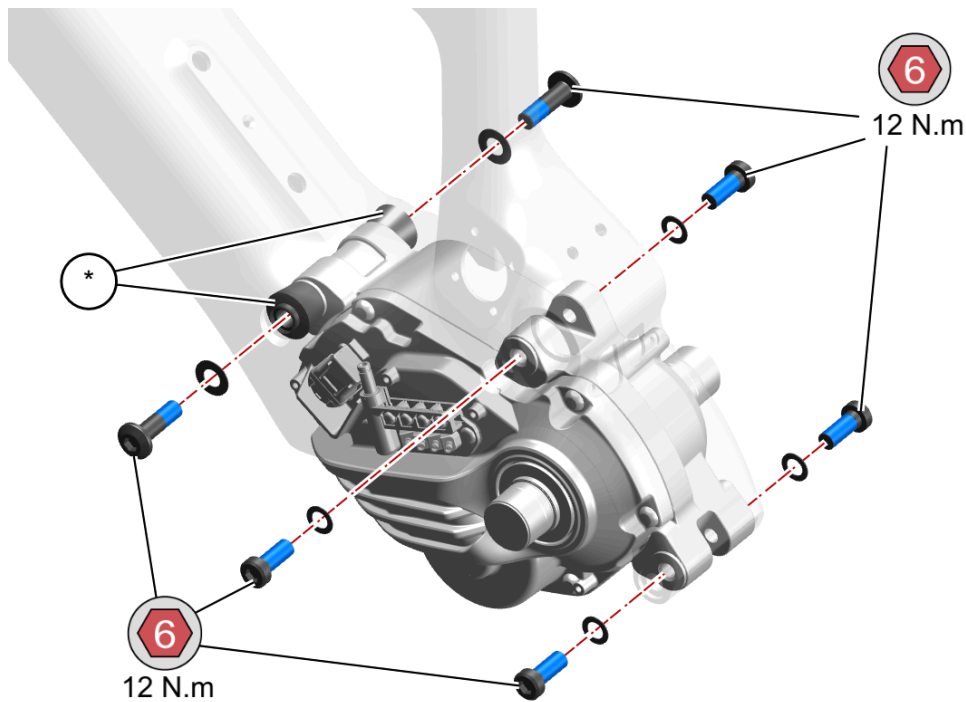
Intégré dans le pédalier



OPTIONS NON COMPATIBLES			
CENTERLOCK		6 BOULONS	
DISQUES	AIMANT	DISQUES	AIMANT
	Aimant Centerlock Orbea <b>X095</b>	<b>DISQUES À 6 BOULONS</b> (sans aimant intégré au pédalier)	Aimant à 6 boulons Orbea <b>XA90</b>
<b>DISQUES CENTERLOCK</b> (sans aimant intégré au pédalier)	Aimant Centerlock Orbea <b>XB18</b>		Aimant à 6 boulons Orbea <b>XA91</b>
	Dans l'écrou Centerlock		



## FIXATION DU MOTEUR ÉLECTRIQUE SUR LE CADRE



COULEUR	TYPE DE PÂTE	DESCRIPTION
	FIXATION	FREIN FILET : résistance moyenne. Type Loctite 243.

\* Les entretoises sont installées à l'intérieur, entre le moteur et le cadre.

## BATTERIE INTERNE

### CARACTÉRISTIQUES TECHNIQUES DE LA BATTERIE INTERNE

#### ATTENTION

Consultez les spécifications techniques des batteries internes Orbea 2e gén. montées sur le Rise dans la section « Spécifications techniques des systèmes Ebike 2e gén. » de ce manuel.

Reportez-vous aux avertissements et recommandations concernant la charge, l'utilisation et le stockage de la batterie interne dans les sections « Utilisation du Rise » et « Avertissements concernant l'utilisation du système d'assistance au pédalage électrique » de ce manuel.

### FIXATION DE LA BATTERIE INTERNE SUR LE CADRE

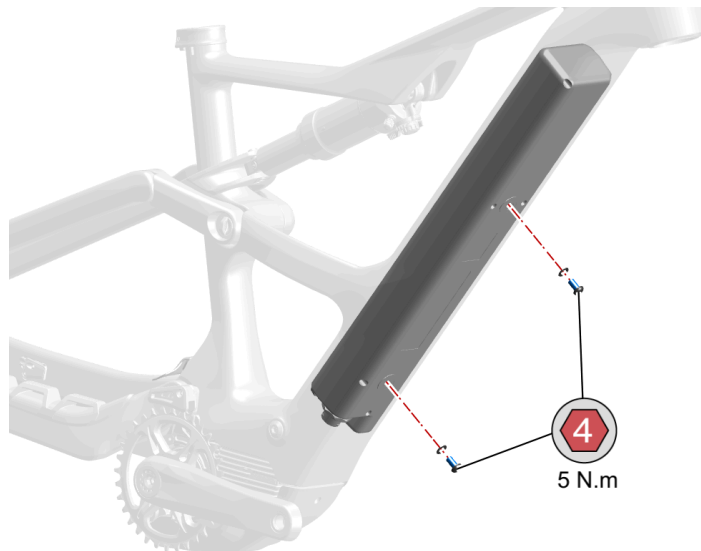
#### ATTENTION

La méthode de fixation de la batterie interne du cadre est la même pour tous les modèles de batterie interne Orbea 2e gén. compatibles avec le Rise.

Consultez la section consacrée à la pose et à la dépose de la batterie interne pour connaître la procédure de montage complète.



Utilisez les boulons d'origine Orbea pour fixer la batterie interne au cadre du Rise.



COU-  
LEUR

TYPE DE PÂTE

DESCRIPTION

DISPOSITIF DE  
RETENUE

Frein filet : résistance moyenne. Type Loctite 243.

### BRANCHEMENT DU FAISCEAU DE CÂBLES SUR LE BATTERIE INTERNE

Pour connecter le faisceau de câbles à la batterie interne (après avoir d'abord démonté le moteur Shimano EP801/EP6), assurez-vous que les broches et la languette du câble et le port de la batterie sont orientées dans la bonne position.

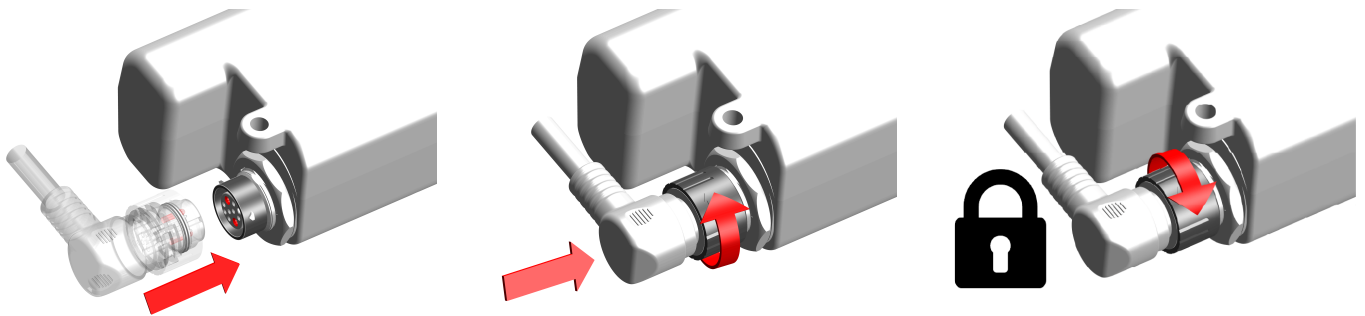
Une fois que les connecteurs du faisceau de câbles et de la batterie sont entrés en contact, tournez la bague de verrouillage du connecteur de faisceau de câbles dans le sens anti-horaire et enfoncez le connecteur du câble dans le connecteur de la batterie.

Une fois que la connexion entre le câble et la batterie est établie, relâchez la bague de verrouillage afin qu'elle retrouve sa position d'origine et sécurise la connexion.

Si la bague de verrouillage ne revient pas à sa position d'origine lorsqu'elle est relâchée, la connexion n'est pas sécurisée.

Vous pouvez tirer doucement sur le connecteur du faisceau de câbles pour confirmer qu'il est bien connecté à la batterie interne.

Consultez la procédure de retrait et d'installation de la batterie interne dans ce manuel.



## DÉPANNAGE DE LA BATTERIE INTERNE (INFORMATIONS POUR LES DISTRIBUTEURS)

Les batteries internes des systèmes Orbea Ebike 2e gén. ne possèdent pas de DEL pour afficher les codes d'erreur de la batterie et il n'est pas possible d'utiliser E-Tube Professional pour le dépannage. Si le circuit du système électrique du Rise présente un problème, utilisez E-Tube Professional pour confirmer qu'un autre composant Shimano du système électrique ne provoque pas ce problème.

Contactez Shimano pour fournir un rapport système via une réclamation. Si Shimano vous indique que le problème est lié à la batterie interne, contactez Orbea au moyen d'une réclamation.

### ATTENTION

Veillez vous reporter à la section « Connexion à Etube Professional » de ce manuel pour savoir comment se connecter à l'outil de diagnostic.

## RETRAIT DE LA BATTERIE INTERNE (INFORMATION POUR LES REVENDEURS)

### ATTENTION

L'installation et le retrait des composants du système d'assistance au pédalage électrique requiert des connaissances mécaniques poussées et il se peut que la majorité des utilisateurs ne possèdent pas les compétences suffisantes. Consultez toujours un revendeur officiel pour obtenir un diagnostic des composants du système électrique, les faire réparer ou les installer. Les composants endommagés suite à une manipulation incorrecte peuvent être exclus de la garantie.

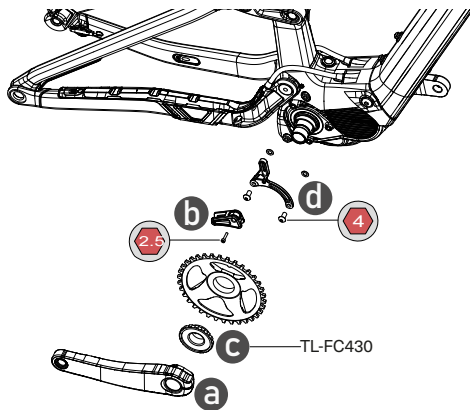


Orbea conseille de confier le remplacement des batteries internes aux revendeurs Orbea agréés dans la mesure où la procédure requiert la dépose de composants majeurs du vélo et du système électrique. Si vous comptez voyager avec votre vélo et que vous devez retirer la batterie, emmenez toujours le vélo chez un revendeur Orbea pour éviter d'endommager les matériaux et pour confirmer le fonctionnement adéquat et sûr de l'ensemble des composants. La pose incorrecte des composants peut entraîner leur dysfonctionnement, ce qui peut provoquer des accidents et des blessures graves.

### ATTENTION

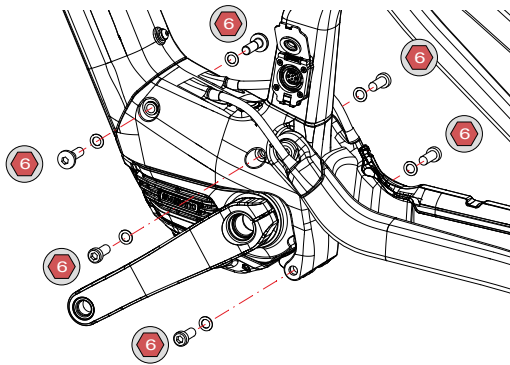
La méthode de retrait de la batterie interne du cadre est la même pour tous les modèles de batterie interne Orbea 2e gén. compatibles avec le Rise.

1



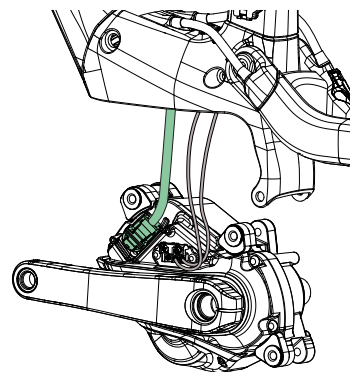
- a. Retirez la manivelle droite en suivant la procédure recommandée par le fabricant : [https://si.shimano.com/dm/DUE001/install\\_chainring\\_crank\\_arms](https://si.shimano.com/dm/DUE001/install_chainring_crank_arms)
- b. Déposez la partie supérieure du guide-chaîne afin de pouvoir démonter le plateau.
- c. Déposez la bague de verrouillage Shimano du plateau afin de pouvoir le déposer. La bague de verrouillage se desserre en la tournant vers la droite. La roue arrière et la chaîne/courroie doivent être montées pour pouvoir empêcher la rotation du plateau en bloquant la roue arrière au moment de desserrer la bague de verrouillage. Utilisez les outils Shimano TL-FC430 avec les outils TL-FC36, TL-FC33 ou TL-FC32 (les trois sont compatibles) pour le démontage des bagues de verrouillage.
- d. Déposez le corps du guide-chaîne pour pouvoir accéder aux boulons de fixation du moteur électrique.

2



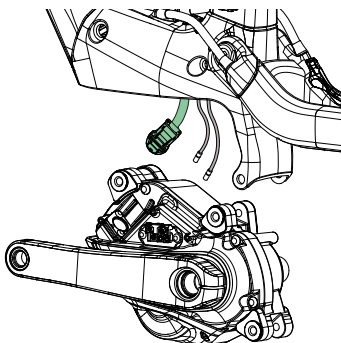
Retirez les boulons et les rondelles qui fixent le moteur sur le cadre à l'aide d'une clé Allen de 6 mm.

3



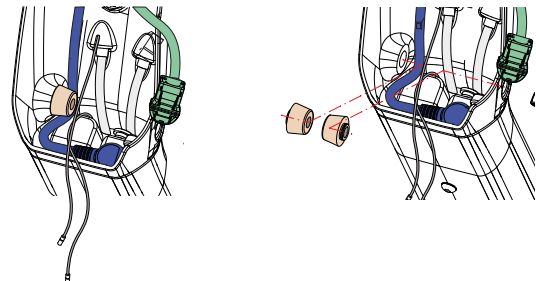
Retirez soigneusement le moteur électrique du cadre afin d'éviter d'endommager les câbles.

4



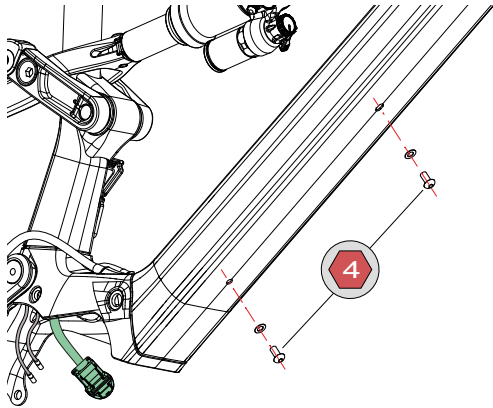
Débranchez le câble reliant la batterie au moteur et les câbles du capteur de vitesse, celui qui est relié au poste de pilotage et celui du dérailleur Di2 (dans les ensembles avec dérailleur électronique).

5



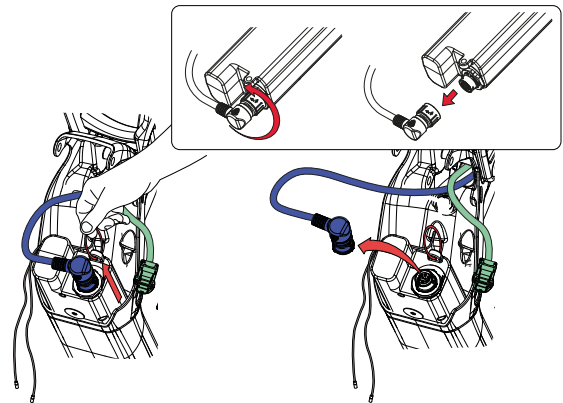
Déposez les bagues de fixation supérieures du moteur électrique. N'oubliez pas, au moment de poser les bagues supérieures lors de la pose du moteur électrique, que le câble de connexion de la batterie doit être acheminé au-dessus de la bague gauche pour permettre la pose du moteur électrique.

6



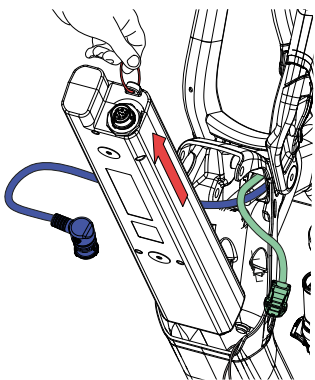
Déposer les boulons et les rondelles qui fixent la batterie interne sur le tube diagonal.

7



Tirez sur la boucle de câbles de la batterie pour extraire la batterie du tube diagonal, jusqu'à ce que vous puissiez accéder facilement au connecteur de câble de la batterie. Débranchez le câble de la batterie en faisant tourner la bague de verrouillage vers la gauche et en tirant sur le connecteur.

8



Déposez la batterie du tube diagonal.

## POSE DE LA BATTERIE INTERNE

Pour poser la batterie interne, procédez dans l'ordre inverse de la dépose.

Consultez les sections de ce manuel consacrées aux différents composants pour vérifier l'acheminement des câbles et le couple de serrage de chaque composant.

Pour poser correctement la bague de verrouillage Shimano sur le plateau et les manivelles, consultez la documentation du fabricant.

[https://si.shimano.com/dm/DUE001/install\\_chainring\\_crank\\_arms](https://si.shimano.com/dm/DUE001/install_chainring_crank_arms)

## RANGE EXTENDER RS 210 WH 2E GÉNÉRATION

La batterie externe Range Extender Orbea RS 2e Gén. se connecte au système d'assistance au pédalage électrique afin d'offrir une capacité complémentaire de 210 Wh.

### AVIS DE COMPATIBILITÉ

#### ATTENTION

La batterie externe Range Extender RS 210 Wh 2e gén. est uniquement compatible avec les vélos électriques Orbea équipés du système d'assistance électrique Orbea Ebike Systems 2e gén. avec moteurs Shimano EP801/EP8 et micrologiciel RS Mountain Control.

Vérifiez [ici](#) la compatibilité des composants du système Orbea Ebike avec les modèles Orbea ebike.

### CARACTÉRISTIQUES TECHNIQUES

#### BATTERIE EXTERNE RANGE EXTENDER RS 210 WH 2e GÉN.

TENSION	36 V
CAPACITÉ	210 Wh
POIDS	Environ 1,03 kg
CELLULES	Lithium ion. LG INR21700M58T
TEMPS DE CHARGE 100 % (2A) Avec chargeur Smart Charger RS 2e gén.	3 heures
TEMPS DE CHARGE 80 % (2A) Avec chargeur Smart Charger RS 2e gén.	2 heures
PLAGES DE TEMPÉRATURE	Charge : 0 °C — 40 °C Décharge (utilisation) : -10 °C — 40 °C Stockage : 0 °C — 35 °C (humidité 5 % — 65 %)
MONTAGE	Porte-bidon spécial sur tube diagonal
CONNEXION	Câble Rise spécifique de 120 mm
ÉTANCHÉITÉ	IPX6
CERTIFICATIONS	ISO13849 > ISO13849-1:2015 IEC62133 > IEC62133:2017 UN 38.3 Corée : KC XU103387-24003 US (UL) SGS 802543
COMPATIBILITÉ	Compatible avec les systèmes Orbea MC Ebike 2e Gén. <a href="#">Cf. le tableau de compatibilité</a>



## CHARGE DU RANGE EXTENDER

### ATTENTION

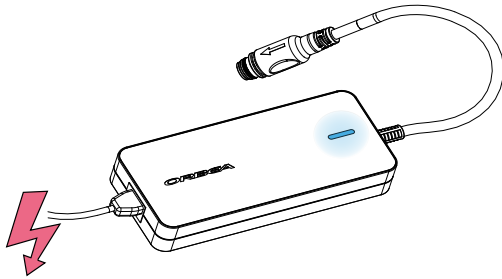
Chargez le Range Extender complètement avant sa première utilisation.

Pour allonger la durée de vie du Range Extender, chargez-le dès que possible avoir l'avoir utilisé.

Évitez de laisser le chargeur branché en permanence sur la batterie pendant de longues périodes et surveillez la charge afin de pouvoir débrancher le chargeur en cas d'anomalie par exemple lorsqu'il y a de la fumée, une odeur de brûler ou un incendie. Le chargeur intelligent RS est conçu pour interrompre la charge dès que la batterie est chargée à 100 %. Vous évitez ainsi d'endommager les cellules et cela signifie que vous pouvez charger la batterie sans vous inquiéter. Cela étant, il est toujours préférable de superviser la charge afin de prévenir tout dégât provoqué par un dysfonctionnement du chargeur.

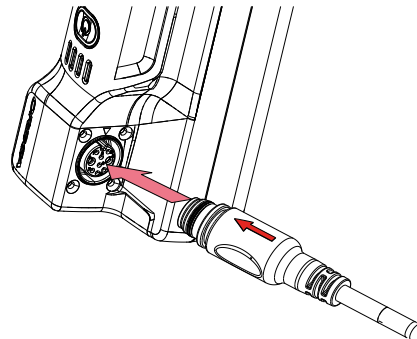
Les batteries lithium sont sensibles à la température pendant la charge. Respectez toujours les plages de température de charge, de décharge et de stockage indiquées dans le tableau des caractéristiques techniques du Range Extender.

1



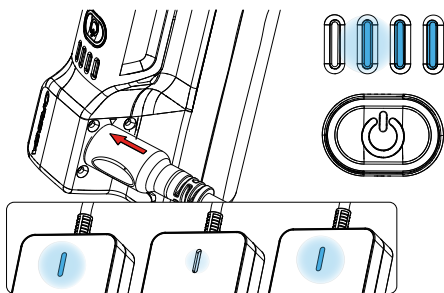
Branchez le Smart Charger 2e gén. dans une prise. La DEL du chargeur clignote en bleu lorsque le chargeur n'est pas connecté à la batterie

2



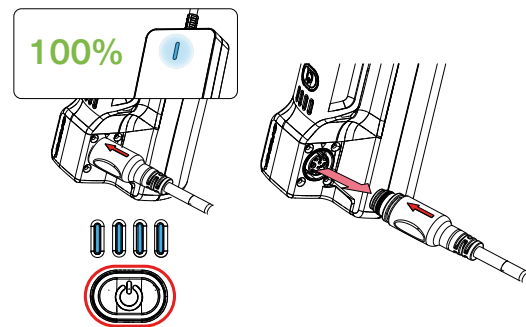
Branchez le chargeur sur le Range Extender en alignant correctement les broches du port de charge sur celles du connecteur du chargeur.

3



La DEL du chargeur s'allume en bleu pendant 2 secondes puis commence à s'allumer puis à s'atténuer progressivement jusqu'à ce que la charge de la batterie soit terminée. Pendant la charge du Range Extender, les DEL d'indication de charge renseigneront le niveau de charge actuel. Les DEL clignotant indiquent le pourcentage (en segments de 25 %) de charge.

4

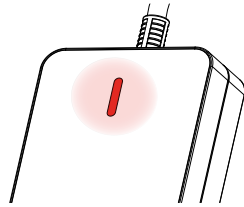


Quand la batterie est complètement chargée, la DEL du chargeur s'allume à nouveau en bleu. Vous pouvez vérifier le niveau de charge du Range Extender en appuyant sur le bouton de mise en marche.

Débranchez le chargeur du port de charge en tirant doucement sur le connecteur du chargeur.

Continues next page >

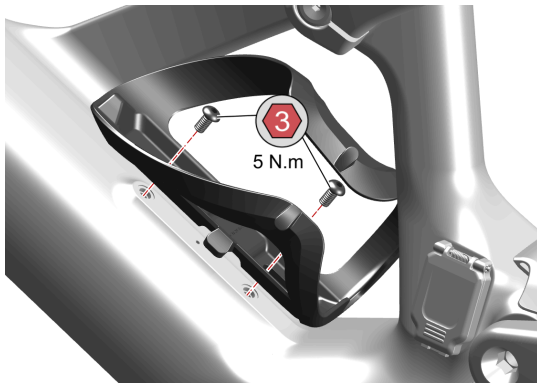


**ERROR!**

Si la DEL du chargeur s'allume en rouge lorsque le chargeur est branché sur une prise ou pendant la charge, cela indique la présence d'un problème. Débranchez immédiatement le chargeur et consultez la procédure de recherche de pannes consacrée au chargeur dans ce manuel. Si le problème persiste, contactez un revendeur Orbea agréé.

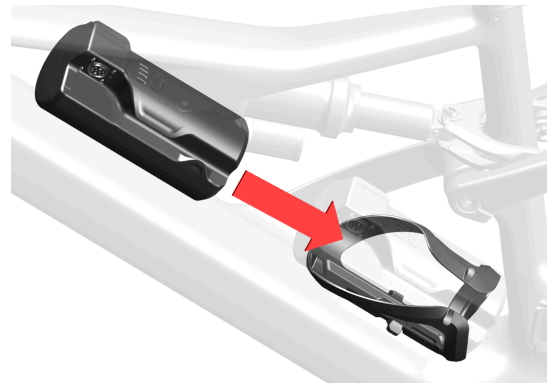
## POSE DU RANGE EXTENDER

1



Si la fixation spécifique du Range Extender RS 210 Wh n'est pas installée sur un vélo compatible, montez-la en utilisant les boulons d'origine installés sur le cadre (sans utiliser de rondelles entre la fixation du Range Extender et le cadre).

2



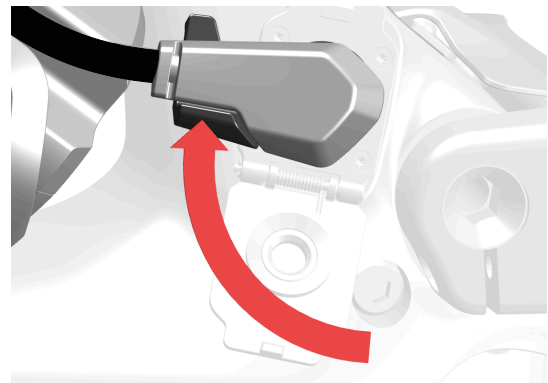
Insérez la batterie Range Extender sur la fixation depuis le côté gauche du vélo.

3



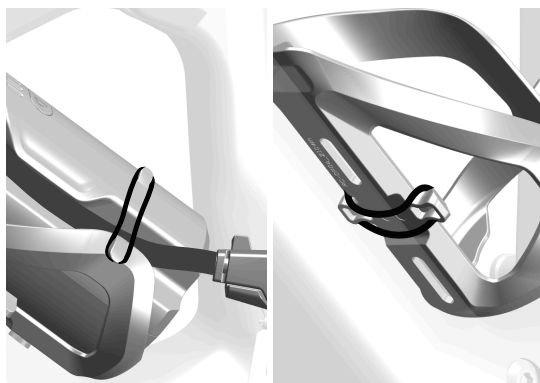
Installez l'extrémité sans languette du câble de connexion spécifique du Range Extender RS 210 Wh sur la batterie externe. Ouvrez le cache du point de recharge du vélo pour brancher l'autre extrémité du câble du Range Extender. Ouvrez la languette de sécurité du connecteur de câble avant de procéder au branchement et branchez le câble sur le point de charge.

4



Une fois que vous avez branché le câble sur le point de charge, fermez la languette de sécurité sur le connecteur afin de sécuriser le branchement.

5



Fixez la batterie sur le support à l'aide de la bande de caoutchouc incluse. Lorsque la batterie Range Extender n'est pas utilisée, la bande de caoutchouc peut rester dans la partie inférieure de la fixation.

## FONCTIONNEMENT DU RANGE EXTENDER

---

### ALIMENTATION DU MOTEUR

---

Le Range Extender alimente directement le moteur électrique Shimano EP801 et EP6. Si vous utilisez votre vélo Orbea compatible avec le Range Extender connecté, seul le Range Extender alimentera le moteur électrique jusqu'à l'épuisement de la charge de Range Extender.

Une fois le Range Extender déchargé, c'est la batterie interne qui alimentera le moteur électrique, pour autant qu'il lui reste de la charge. À ce moment, le champ de données de l'écran, de la télécommande ou de l'Orbea RS Toolbox affiche le niveau de charge de la batterie interne uniquement.

### CONNEXION AU VÉLO

---

Si vous avez connecté le Range Extender au vélo et qu'il est éteint, lorsque vous allumez le vélo, le système d'assistance reconnaîtra la batterie externe comme faisant partie du vélo et seul le Range Extender fournira de l'énergie au moteur. Il n'est pas nécessaire d'appuyer sur le bouton du Range Extender pour l'activer.

Si le vélo était déjà allumé lorsque vous avez connecté le Range Extender, le système reconnaîtra la batterie externe comme faisant partie du vélo et seul le Range Extender fournira de l'énergie au moteur. Il n'est pas nécessaire d'appuyer sur le bouton du Range Extender pour l'activer.

**ÉTEINDRE LE RANGE EXTENDER CONNECTÉ AU VÉLO :** Lorsque le Range Extender est connecté au vélo et que le vélo est allumé, vous pouvez éteindre le Range Extender en appuyant sur le bouton principal du Range Extender pendant 3 secondes. Dans ce cas, le vélo restera allumé et le système sera alimenté uniquement par la batterie interne.

Il n'est pas possible de rallumer le Range Extender en appuyant sur le bouton principal du Range Extender lorsqu'il est connecté au vélo allumé. Dans ce cas, vous devez éteindre le vélo (avec le Range Extender toujours connecté) et rallumer le vélo pour que le système reconnaisse à nouveau la batterie externe.

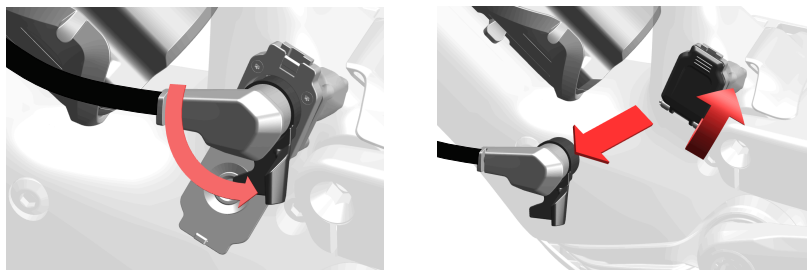
Si le Range Extender est déconnecté du vélo sous tension (après avoir éteint le Range Extender) et que vous reconnectez le Range Extender au vélo sous tension, le système ne reconnaîtra pas le Range Extender. Le vélo devra être éteint, puis rallumé pour que le système puisse reconnaître le Range Extender.

### DÉBRANCHEMENT DU RANGE EXTENDER

---

Pour débrancher le Range Extender du vélo, tournez la languette de verrouillage du câble de connexion du Range Extender et tirez avec précaution sur le connecteur du câble du Range Extender. Une fois que le câble a été débranché, fermez le cache du point de charge du vélo.

Si le Range Extender est débranché du point de charge du vélo alors qu'il est en marche, le vélo s'éteint et vous devez remettre le vélo en marche pour que le système soit alimenté uniquement par la batterie interne.



## FONCTION DE LIMITATION DE PUISSANCE

### ATTENTION

Lorsque le Range Extender est connecté au vélo, le moteur limite la puissance délivrée pour s'adapter aux caractéristiques d'alimentation du Range Extender afin de prolonger la durée de vie de la batterie. Les fonctionnalités d'assistance à chaque niveau et la possibilité de changer le niveau d'assistance restent dans la nouvelle limite de puissance.

Cette limite de la puissance délivrée par le moteur pourrait être perceptible à des niveaux d'assistance plus élevés.

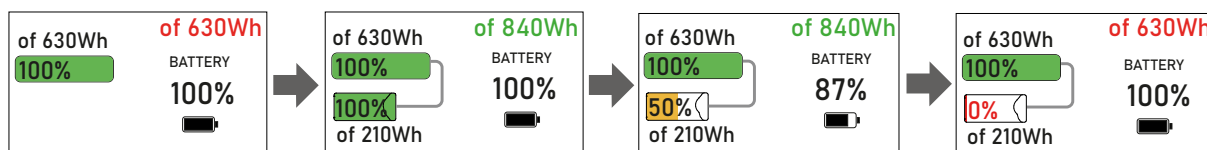
Orbea recommande de ne pas modifier les caractéristiques d'assistance et de couple des niveaux d'assistance supérieurs lors de l'utilisation de l'application Shimano Etube. Les réglages du moteur sur les vélos compatibles avec le Range Extender sont optimisés pour pouvoir être utilisés avec la batterie interne et le Range Extender.

## AFFICHAGE DU NIVEAU DE CHARGE

### NIVEAU DE CHARGE COMMUN

Quand le Range Extender est connecté au vélo (cf. la section Branchement), le système calcule la capacité totale des deux batteries et les informations relatives à la charge restante dans le système seront fournies sous la forme de la somme des niveaux de charge et des capacités des deux batteries. Le niveau de charge combiné des batteries est affiché sur la commande Shimano et/ou dans le champ de données Orbea RS Toolbox pour les appareils Garmin compatibles.

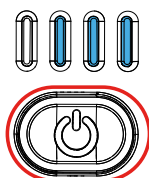
Quand la batterie Range Extender est connectée au vélo et qu'elle se décharge, le système exploite à nouveau les méthodes disponibles (écrans, levier de commande à distance ou RS Toolbox) pour afficher uniquement la charge disponible dans la batterie interne en tenant compte de la capacité totale de la batterie interne et non pas la capacité totale du système constitué de la batterie interne et du Range Extender.



*\*Ce diagramme illustre les performances du Range Extender avec la batterie interne Orbea RS 630 Wh. Des batteries internes de différentes capacités donneront des résultats de capacité conjointe différents.*

### NIVEAU DE CHARGE DISTINCT DU RANGE EXTENDER

Appuyez une fois sur le bouton principal du Range Extender pour connaître le niveau de charge. Les DEL s'allument pendant 5 secondes par intervalle de 25 % de droite à gauche pour indiquer le niveau de charge actuel.



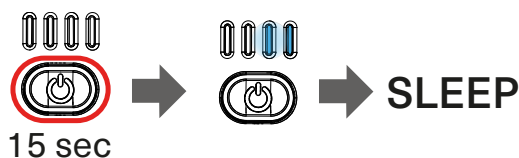
## STOCKAGE DU RANGE EXTENDER

### ATTENTION

Si vous avez l'intention de ranger le Range Extender pendant une longue période, chargez la batterie à environ 50 % de sa capacité avant de la stocker et vérifiez le niveau de charge tous les 3 mois (rechargez-la jusqu'à 50 %). Ne laissez jamais passer le niveau de charge sous la barre des 10 %, au risque d'endommager les cellules.

### MODE VEILLE

Si vous n'avez pas l'intention d'utiliser le Range Extender pendant une période prolongée, Orbea recommande de mettre le Range Extender en mode Veille afin de protéger la batterie. Appuyez sur le bouton principal du Range Extender et maintenez-le enfoncé pendant 15 secondes. Les DEL 1 et 2 s'allument l'une après l'autre, puis s'éteignent. Le Range Extender est alors en mode Veille. Pour le réactiver, branchez le Smart Charger de 2e Gén sur le Range Extender (avec le chargeur branché). Elle sera automatiquement réactivée et commencera à charger.



**MODE VEILLE AUTOMATIQUE :** si la tension du Range Extender (charge) reste inférieure à 31 V pendant 7 jours ou est inférieure à 35 V pendant 3 mois, le Range Extender passera automatiquement en mode Veille. Pour réactiver le Range Extender, branchez le Smart Charger de 2e Gén sur le Range Extender (avec le chargeur branché). Elle sera automatiquement réactivée et commencera à charger.

### ATTENTION

Avant d'utiliser le Range Extender, surtout s'il n'a pas été utilisé récemment, il est conseillé d'appuyer sur le bouton principal du Range Extender pour vérifier son état. Si, lorsque vous appuyez sur le bouton principal, les DEL s'allument pour indiquer le niveau de charge, le Range Extender est opérationnel. Si les DEL ne s'allument pas, la batterie du Range Extender peut être déchargée ou le Range Extender est passé en mode Veille. Branchez le Smart Charger de 2e Gén sur le Range Extender (avec le chargeur branché). Elle sera automatiquement réactivée et commencera à charger.

## VÉRIFIER L'ÉTAT DU RANGE EXTENDER

L'état (durée de vie) des batteries lithium-ion se réduit en fonction des cycles de charge et des conditions d'utilisation au cours de la vie de la batterie.

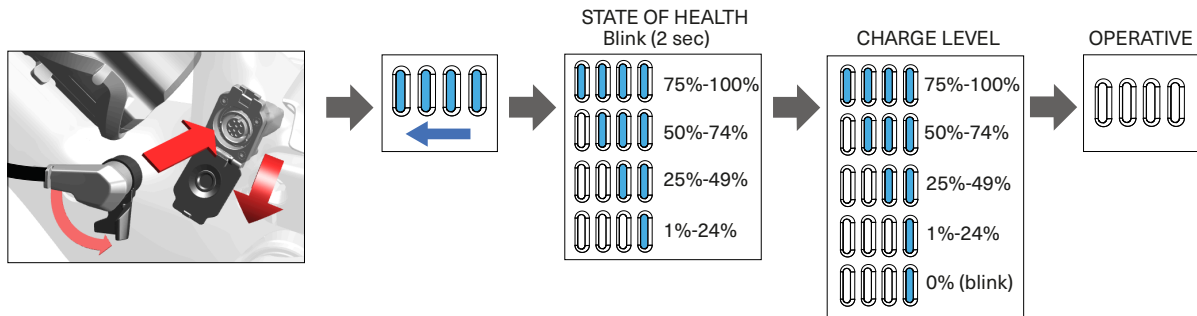
Dans des conditions normales d'utilisation, en respectant les conditions et les plages de température d'utilisation, de charge et de stockage, les batteries des systèmes Orbea Ebike verront leur durée de vie utile réduite d'environ 20 % après 500 cycles de charge complets.

### ATTENTION

Les données sur l'état de la batterie sont fournies pour les conditions d'utilisation idéales. L'état peut être influencé par les conditions d'utilisation, le stockage et la charge par temps très froid, par le stockage des batteries pendant de longues périodes sans faire l'appoint du niveau de charge ou par l'utilisation répétée des batteries à un niveau de charge très faible, etc.

Pour vérifier l'état de votre Range Extender, connectez la batterie sur un vélo compatible toujours allumé et mettez le vélo sous tension avec le Range Extender connecté.

Les quatre DEL du Range Extender s'allument en vague de gauche à droite, puis clignotent pour indiquer l'état de la batterie pendant 2 secondes. Elles restent ensuite allumées en continu pour indiquer le niveau de charge actuel de la batterie, puis elles s'éteignent.



## RECHERCHE DE PANNES

Si le Range Extender ne charge pas ou s'il n'alimente pas le moteur électrique, appuyez une fois sur le bouton principal du Range Extender. En cas de détection d'une erreur dans la batterie, les DEL afficheront le code d'erreur. Consultez le tableau ci-dessous pour en savoir plus sur les codes d'erreur et les solutions.

### ATTENTION

Si le tableau indique « Contacter Orbea », cela concerne uniquement un revendeur qui pose un diagnostic de la batterie. Si l'utilisateur final ne parvient pas à résoudre l'erreur ou un dysfonctionnement en suivant les instructions du tableau suivant, il devra contacter un revendeur Orbea agréé qui introduira une réclamation auprès d'Orbea.

CONDITION	CAUSE POSSIBLE	SOLUTION
Le moteur n'est pas alimenté	Le câble n'est pas correctement branché	Branchez correctement le câble comme décrit dans le mode d'emploi
La batterie ne charge pas	Mauvais branchement du chargeur ou problème avec la prise d'alimentation	Vérifier le branchement du chargeur. Consultez les solutions concernant les problèmes de charge
	Charge complète	La batterie fonctionne

CLIGNOTE	DEL	COMPORTEMENT DE LA DEL	ERREUR	SOLUTION
		Clignotement	Tension/niveau de charge trop faible. Le Range Extender s'éteint.	Chargez la batterie à l'aide du chargeur Smart Charger RS 2e gén.
		Clignotement	Protection thermique. Le Range Extender s'éteint.	Attendez que la température revienne dans la plage de fonctionnement
		Clignote une fois par semaine	Protection contre les courants excessifs Le vélo est hors tension.	Attendez 30 secondes avant d'utiliser à nouveau la batterie
		Clignote 5 fois par seconde	Protection en cas de tension excessive importante et de courts-circuits. Le vélo est hors tension.	Débranchez la batterie externe. Vérifiez les connecteurs. Branchez le contacteur de batterie externe du système.
		Clignotement	Erreur au niveau de la cellule ou du matériel	Contactez Orbea

Si le problème persiste, contactez Orbea

## CHARGEUR SMART CHARGER 2A-4A 2E GÉNÉRATION

### ATTENTION

Consultez les spécifications techniques du chargeur Smart Charger 2e gén. dans la section « Spécifications techniques des systèmes Ebike 2e gén. » de ce manuel.

Lisez les avertissements relatifs au chargeur et les recommandations d'utilisation dans la section Avertissements relatifs à l'utilisation du système d'assistance de ce manuel.

Vérifiez [ici](#) la compatibilité des composants du système Orbea Ebike avec les modèles Orbea ebike.

### COURANT DE CHARGE VARIABLE

Le chargeur Smart Charger RS reconnaît la batterie à laquelle il est connecté (batterie interne ou Range Extender) et adapte le courant de charge en conséquence.



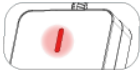
Le courant de charge de la batterie interne est de 4 A (100 à 240 V). Le courant de charge du Range Extender est de 2 A (100 à 240 V). La vitesse pour charger les batteries jusqu'à 80 % est supérieure, puis ralentit jusqu'à ce que le niveau de charge de 100 % soit atteint.

### UTILISATION DU CHARGEUR SMART RS 2E GÉNÉRATION

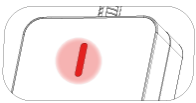
#### ATTENTION

Consultez la section de ce manuel relative à la charge de la batterie pour savoir comment utiliser le Smart Charger 2e gén.

#### SIGNIFICATION DE LA DEL DU CHARGEUR SMART CHARGER

DEL	COMPORTEMENT	ÉTAT
	DEL clignotant en bleu	Le chargeur est alimenté, mais il n'est pas connecté à la batterie
	La LED bleue s'allume et s'éteint de façon cyclique	Chargeur chargeant la batterie
	DEL bleue en continu	Charge terminée
	DEL rouge en continu	Erreur. Consultez le tableau de résolution des erreurs

## DÉPANNAGE DU CHARGEUR SMART CHARGER RS 2E GÉNÉRATION

DEL	ERREUR POSSIBLE (Suivre les solutions dans l'ordre décroissant)	SOLUTION
	Protection en cas de courant trop élevé	Débrancher la batterie - Inspectez le câble et le port de charge à la recherche de saleté, d'humidité ou de corps étrangers. - Si le problème persiste, contactez un revendeur Orbea.
	Protection contre les courts-circuits	- Débranchez la batterie. - Inspectez le câble et le port de charge à la recherche de saleté, d'humidité ou de corps étrangers. - Si le problème persiste, contactez un revendeur Orbea.
	Protection contre la surchauffe	- Attendez que la température du chargeur revienne dans la plage de températures de charge. - Si le problème persiste, contactez un revendeur Orbea.
	Protection contre l'inaction	- La durée de connexion à l'alimentation ou la batterie sans charge dépasse de loin la limite définie.
	Protection contre les communications anormales	- Contactez un revendeur Orbea
	Protection en cas de tension trop élevée	- La tension de la batterie est trop élevée - Contactez un revendeur Orbea.

## CONNEXION À ETUBE PROFESSIONNAL. INFORMATIONS DESTINÉES AUX DISTRIBUTEURS.

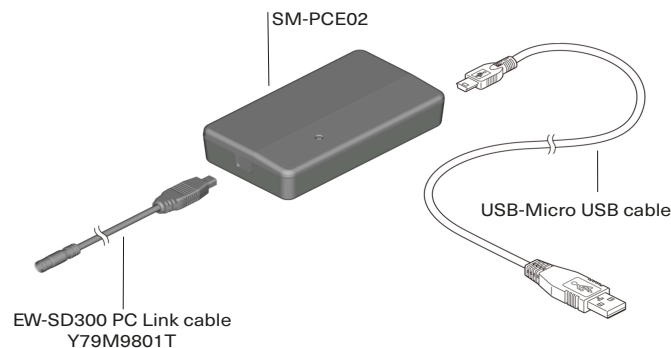


### ATTENTION

Le processus de connexion et le dépannage du système Shimano STEPS à l'aide de l'outil ETube Professional doivent être effectués par un revendeur agréé. En tant qu'utilisateur, n'oubliez pas que vous pouvez utiliser l'application mobile E-Tube Project Cyclist pour établir la connexion au vélo, personnaliser le système et réaliser certains dépannages.

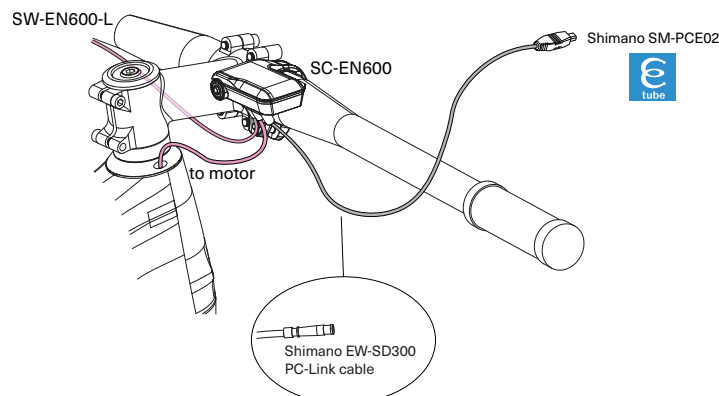
Pour accéder à l'ensemble des informations du système Shimano EP801 sur ETube, installez la version la plus récente du logiciel E-Tube Project 5 : <https://bike.shimano.com/en-EU/e-tube/project/forwindows.html>

La connexion du système électrique Shimano EP801/EP6 à E-Tube Professional requiert l'interface Shimano SM-PCE02. Vous pouvez également connecter et dépanner les composants de façon individuelle. Veuillez consulter le mode d'emploi de l'outil E-Tube Professional : <https://si.shimano.com/en/um/7J4WA>



## CONNEXION DES ASSEMBLAGES DOTÉS DE L'ÉCRAN SC-EN600 ET D'UNE TRANSMISSION MÉCANIQUE

Pour les assemblages avec écran SC-EN600 et transmission mécanique (pas Di2), vous pouvez connecter le câble PC-Link standard EW-SD300 directement au port libre de l'écran et le câble PC-Link à l'interface SM-PCE02.



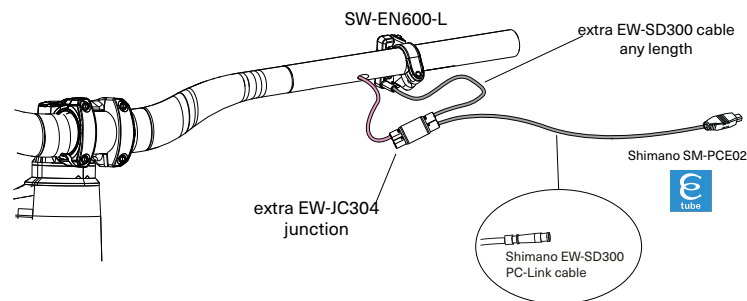


## CONNEXION DES AUTRES OPTIONS D'ASSEMBLAGE

- Ensembles avec écran SC-EN600 et transmission électronique Di2
- Ensembles sans écran et transmission électronique Di2
- Ensembles sans écran et transmission mécanique (autre que Di2)

Pour ces options d'assemblage, il faut créer un point de connexion libre afin de connecter l'ensemble du système à l'interface SM-PCE2.

Pour ce faire, déconnectez le câble Di2 SD300 du commutateur d'assistance SW-EN600-L et utilisez un connecteur à quatre ports EW-JC304 de Shimano et un câble SD300 supplémentaire de n'importe quelle longueur pour créer un port libre dans le système. Branchez le câble PC-Link EW-SD300 sur le port libre du connecteur EW-JC304 et ce connecteur sur l'interface SM-PCE2.



## INSTALLATION DE GROUPES MOTOPROPULSEURS ÉLECTRIQUES ET DE VÉLOS AVEC UNE CONFIGURATION MÉCANIQUE DE SÉRIE

Si, sur un vélo électrique doté d'un moteur EP801/EP6 et équipé à l'origine par Orbea d'une transmission mécanique, le dérailleur est remplacé par un dérailleur électronique compatible Di2, il est nécessaire de modifier la configuration du vélo pour qu'il reconnaisse les nouveaux composants. Si vous ne changez pas la configuration, le système vous informera d'une erreur de composant lorsque vous démarrerez le vélo et vous ne pourrez pas activer l'assistance électrique.

Ce changement de modification ne peut pas être effectué par un utilisateur ou par un distributeur en connectant le vélo au Etube Cyclist ou Professional respectivement. Le distributeur doit contacter Orbea ou Shimano afin d'effectuer à distance le changement de configuration sur le vélo.

## BATTERIES DES SYSTÈMES ORBEA EBIKE 2E GÉNÉRATION DANS ETUBE PROFESSIONAL

La batterie interne Orbea 2e gén. apparaît en tant que composant du système Shimano EP801/EP6S lorsque le système est connecté à E-Tube Professional à l'aide de l'outil de diagnostic Shimano SM-PCE02.

L'outil de diagnostic SM-PCE02 permet d'accéder aux informations pertinentes relatives à la batterie, comme la version du micrologiciel ou les cycles de charge, sous l'onglet Entretien.

Il n'est pas possible de poser un diagnostic de la batterie interne Orbea 2e gén. à l'aide d'E-tube Professional. Si le système électrique présente un problème, utilisez E-Tube Professional pour confirmer qu'un autre composant Shimano du système électrique ne provoque pas ce problème. Contactez Shimano pour fournir un rapport système via une réclamation. Si Shimano vous indique que le problème est lié à la batterie interne, contactez Orbea au moyen d'une réclamation.

## CONNEXION DES FEUX AU MOTEUR ÉLECTRIQUE SHIMANO EP801/EP6 RS

---

### ATTENTION

Le Rise n'a pas été conçu en pensant à l'utilisation de feux connectés au moteur électrique. Par conséquent, l'utilisateur et/ou le revendeur Shimano qui souhaite réaliser cette installation assumera toute responsabilité.

**AVERTISSEMENT** : l'utilisation de feux connectés au moteur électrique peut réduire considérablement l'autonomie de votre vélo.

Consultez la section de ce manuel consacrée au câblage pour obtenir des informations sur les options liées aux joints SIC du collecteur de jeu de direction HS02 et aux options associées à la sortie du câble de phare avant, si vous souhaitez en installer un. Les assemblages du Rise fournis par Orbea ne sont pas dotés de feux. Orbea n'assume aucune responsabilité pour la compatibilité des accessoires ajoutés par les utilisateurs ou un revendeur. Vérifiez la compatibilité des composants avant de les installer.

Le moteur électrique Shimano EP801/EP6 accepte la connexion de feux sur les ports disponibles sur le moteur électrique (fil nu).

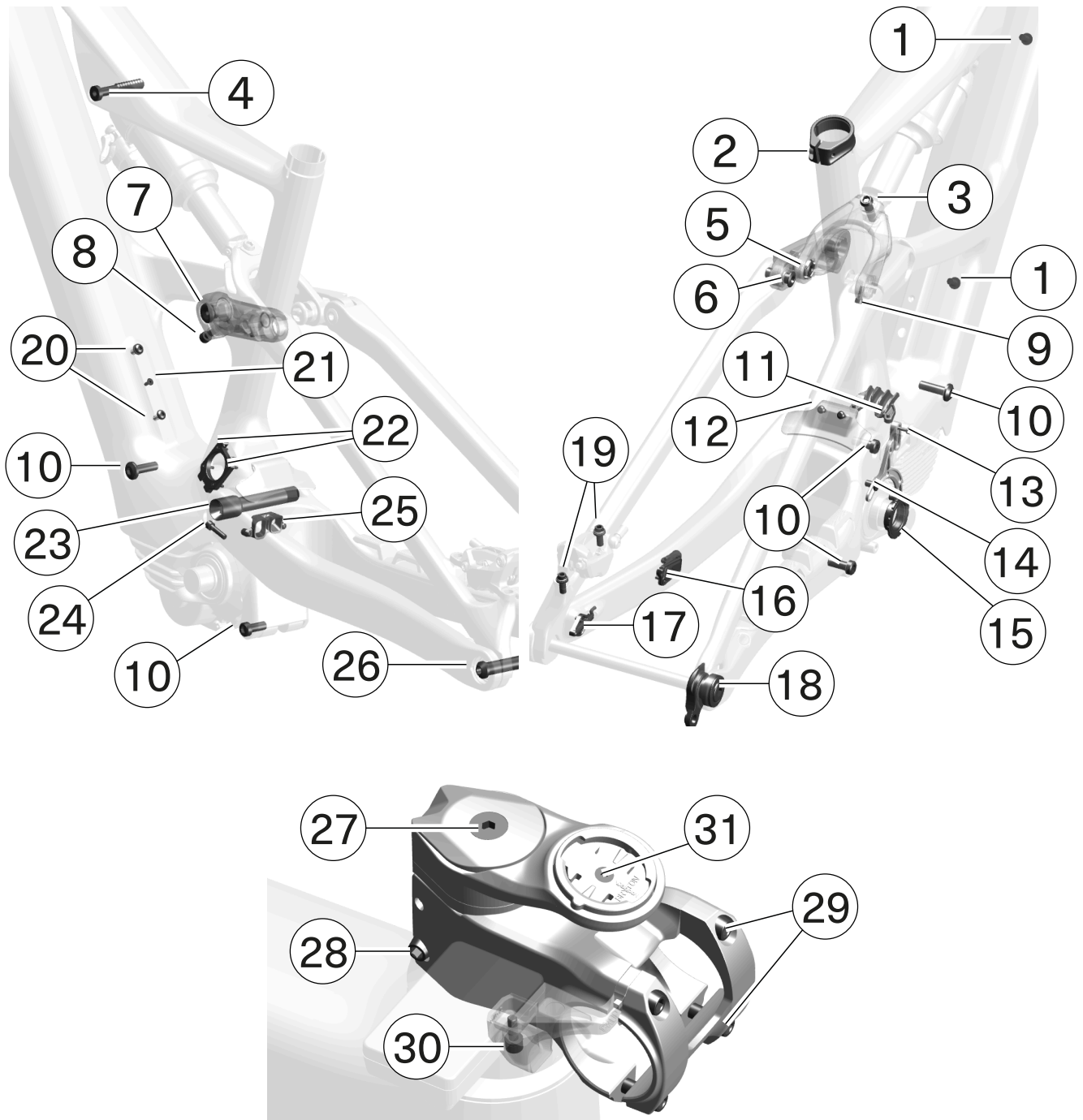
Le Rise est livré avec les ports d'éclairage du moteur électrique désactivés. Cela étant, un revendeur Shimano agréé peut activer les ports d'éclairage via E-Tube Professional en connectant le vélo à l'interface SM-PCE02.

Il est possible de définir si les feux seront toujours allumés quand le vélo est mis sous tension ou si le cycliste peut décider de les allumer via l'écran.

### ATTENTION

**AVERTISSEMENT** : il pourrait exister des législations qui imposent aux VAE dotés de feux de réserver automatiquement un pourcentage défini de la capacité de la batterie à l'alimentation des feux pendant une période déterminée quand la charge de la batterie baisse en désactivant l'assistance au pédalage. Respectez toujours les réglementations en vigueur dans la région où vous roulez.

## 23 COUPLES DE SERRAGE. APERÇU



NUMÉRO	COMPOSANT	OUTIL	MÉTRIQUE	COUPLE DE SERRAGE
1	Boulons de fixation de la batterie interne	Clé Allen	4 mm	5 Nm
2	Collier de tige de selle	Clé Allen	4 mm	5 Nm
3	Fixation de l'amortisseur sur la rallonge LT	Clé Allen	6 mm	8 Nm

NUMÉRO	COMPOSANT	OUTIL	MÉTRIQUE	COUPLE DE SERRAGE
	Fixation de l'amortisseur sur l'étrier en alliage SL	Clé Allen	5 mm	8 Nm
4	Fixation de l'amortisseur sur le cadre	Clé Allen	5 mm	10 Nm
5	Axes de rallonge d'amortisseur-biellette	Clé Allen	6 mm	10 Nm
6	Axes entre la biellette et le hauban	Clé Allen	5 mm	10 Nm
7	Boulon de précontrainte de biellette gauche	Clé Allen	4 mm	4 Nm
8	Boulon de fixation de biellette gauche	Clé Allen	5 mm	10 Nm
9	Boulons de fixation de rallonge LT	Clé Allen	3 mm	1 Nm
10	Boulons de fixation du moteur électrique sur le cadre	Clé Allen	6 mm	12 Nm
11	Boulon de guide-câble de logement du moteur	Clé Allen	2 mm	2 N.m
12	Boulons de protection du déflecteur (pas sur le Rise Hydro)	—	—	—
13	Boulon-écrou du guide-chaîne	Clé Allen	2,5 mm	2,5 Nm
14	Boulons de moteur et de guide de chaîne	Clé Allen	4 mm	4 Nm
15	Bague de verrouillage de plateau	TL-FC430	4 mm	35-45 Nm
16	Boulons d'orifice de guidage du câble de base arrière gauche	Clé Allen	2 mm	2 N.m
17	Boulons de capteur de vitesse	Torx	T2	2 N.m
18	Vis de patte de dérailleur SRAM UDH (filetage inversé)	Clé Allen	8 mm	25 Nm
19	Boulons d'étrier de frein	Clé Allen	5 mm	6-8 Nm
20	Boulons de porte-bidon	Clé Allen	3 mm	5 Nm
21	Boulon de plaque interne de porte-bidon	Clé Allen	2 mm	2 N.m
22	Boulon de cache de port de charge	Torx	T1.5	0,5 Nm
23	Axe de pivot principal du bras oscillant	Clé Allen	10 mm	20 Nm
24	Boulon de fixation de pivot principal de base arrière gauche	Clé Allen	4 mm	6 Nm
25	Boulons de guide de passe-câble	Clé Allen	2 mm	2 N.m
26	Axe de roue arrière	Clé Allen	6 mm	10 Nm
27	Boulon de précontrainte de potences MC	Clé Allen	4 mm	8 Nm
28	Boulons de fixation de fourche de potence MC	Clé Allen	4 mm	6 Nm
29	Boulons de plaque avant de potence MC10/ MC20	Clé Allen	4 mm	6 Nm
	Boulons de plaque avant de potence MC11	Clé Allen	4 mm	5 Nm
30	Boulon de fixation de plaque et d'affichage de potence MC11	Clé Allen	2,5 mm	0,6 Nm
31	Boulon de fixation d'adaptateur GPS CM-05	Clé Allen	2 mm	2 N.m

# 24 PIÈCES DÉTACHÉES DU RISE HYDRO 2025

Consultez le catalogue complet des pièces de rechange Orbea sur notre site Web :

[www.orbea.com/fr-fr/gear/spare-parts/](http://www.orbea.com/fr-fr/gear/spare-parts/)

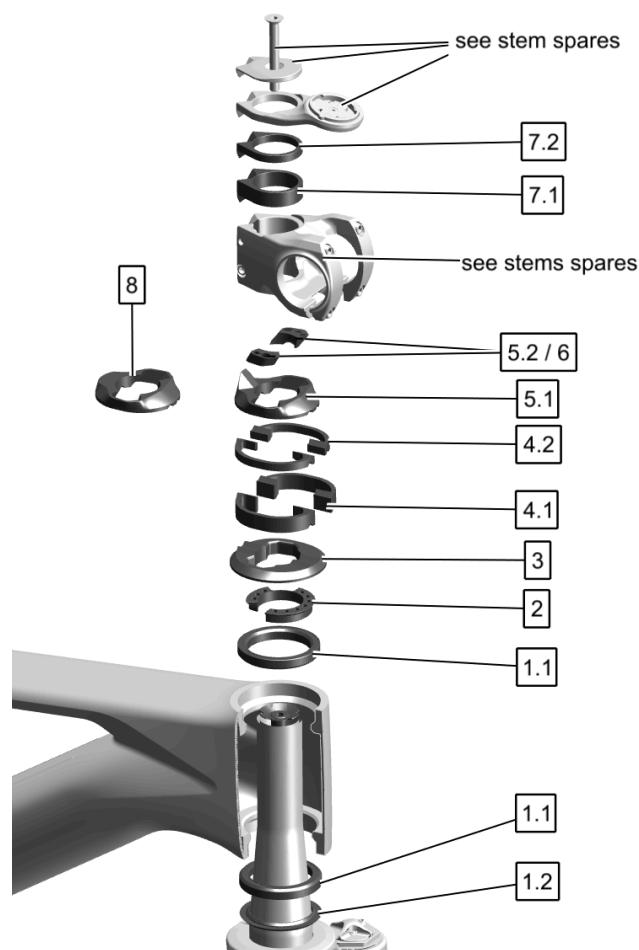
Ou accédez directement à l'ensemble des pièces de rechange du Rise Hydro :

[Pièces détachées du Rise Hydro LT 2025](#)

[Pièces détachées du Rise Hydro SL 2025](#)








## JEU DE DIRECTION

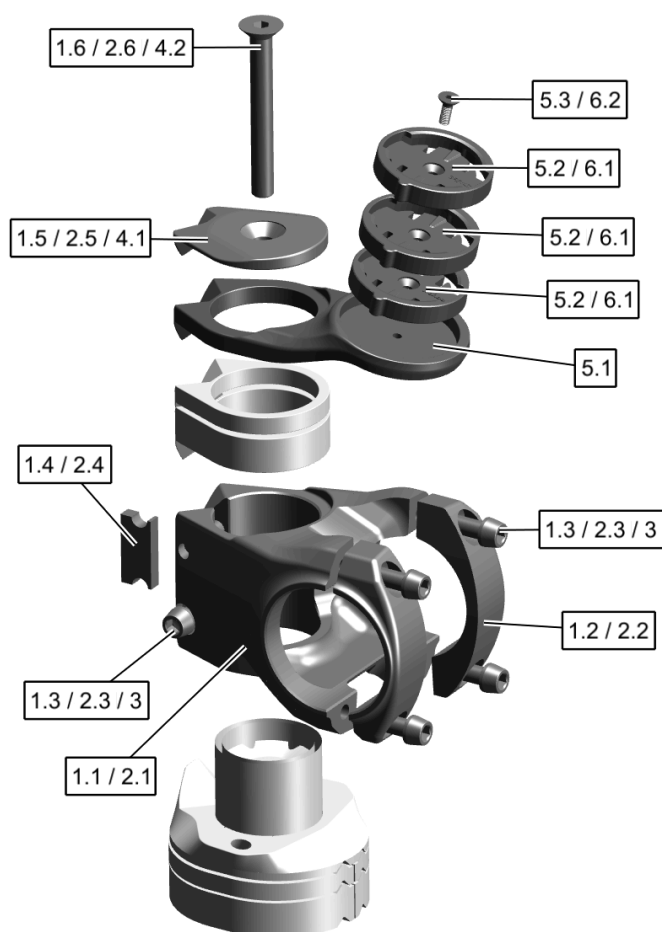


Cliquez sur la référence pour acheter la pièce en ligne



<b>1. ROULEMENTS DE JEU DE DIRECTION HS02 + RACE</b>		<b>RÉF. : XC50</b>
		<b>QTÉ</b>
	<b>1.1.</b> Chemin de té de fourche 1.5 45°	1
	<b>1.2.</b> Roulement du jeu de direction 1,5 (52 x 40 x 7 mm. 45°/45°)	2
<b>2. ANNEAU DE COMPRESSION EN ALUMINIUM 1-1/8 HS02-01</b>		<b>RÉF. : XC51</b>
		<b>QTÉ</b>
	<b>2</b> Anneau de compression en aluminium 1-1/8 HS02-01	1
<b>3. CAPUCHON DE JEU DE DIRECTION HS02-14. STACK NORMAL</b>		<b>RÉF. : XC89</b>
		<b>QTÉ</b>
	<b>3</b> Capuchon de jeu de direction HS02-14	1

<b>4. KIT D'ENTRETOISES SCINDÉES POUR JEU DE DIRECTION EN ALUMINIUM HS02</b>		<b>RÉF. : XC55</b>
		<b>QTÉ</b>
	<b>4.1</b> Entretoise scindée de jeu de direction HS02-04 10 mm	2
	<b>4.2</b> Entretoise scindée de jeu de direction HS02-03 5 mm	2
<b>5. COLLECTEUR SIC SPB HS02-05. STACK NORMAL</b>		<b>RÉF. : XC56</b>
		<b>QTÉ</b>
	<b>5.1</b> Collecteur SIC HS02-05. Stack normal.	1
	<b>5.2</b> Kit d'œillet de collecteur SIC HS02 (L1, L2, L3, R1, R2, R2e, R3)	1
<b>6. KIT D'ŒILLET HS02 DE COLLECTEUR SIC</b>		<b>RÉF. : XC57</b>
		<b>QTÉ</b>
	<b>6.1</b> Oeillet SIC L1 HS02-42. 4 mm + 4 mm aveugle	1
	<b>6.2</b> Oeillet SIC L2 HS02-43. 4 mm + 4 mm	1
	<b>6.3</b> Oeillet SIC L3 HS02-44. 4 mm + 4 mm + 3 mm	1
	<b>6.4</b> Oeillet SIC R1 HS02-45. 5 mm	1
	<b>6.5</b> Oeillet SIC R2 HS02-46. 4 mm + 5 mm	1
	<b>6.6</b> Oeillet SIC R2e HS02-47. 3 mm + 5 mm	1
	<b>6.7</b> Oeillet SIC R3 HS02-48. 4 mm + 3 mm + 3 mm	1
<b>7. JEU D'ENTRETOISES DE JEU DE DIRECTION HS02 RONDES</b>		<b>RÉF. : XC58</b>
		<b>QTÉ</b>
	<b>7.1</b> Entretoise de jeu de direction HS02-8 (10 mm)	2
	<b>7.2</b> Entretoise de jeu de direction HS02-7 (5 mm)	2
<b>8. COLLECTEUR SIC NO-SPB HS02-06. UNIVERSEL</b>		<b>RÉF. : XC60</b>
Pour l'utilisation de potences standard autre que OC MC HS02 dans le jeu de direction HS02		<b>QTÉ</b>
	<b>8.1</b> Collecteur universel SIC HS02-06 Stack normal.	1
	<b>8.2</b> Kit d'œillet de collecteur SIC HS02 (L1, L2, L3, R1, R2, R2e, R3)	1





## POTENCES OC MC10/MC20



Cliquez sur la référence pour acheter la pièce en ligne

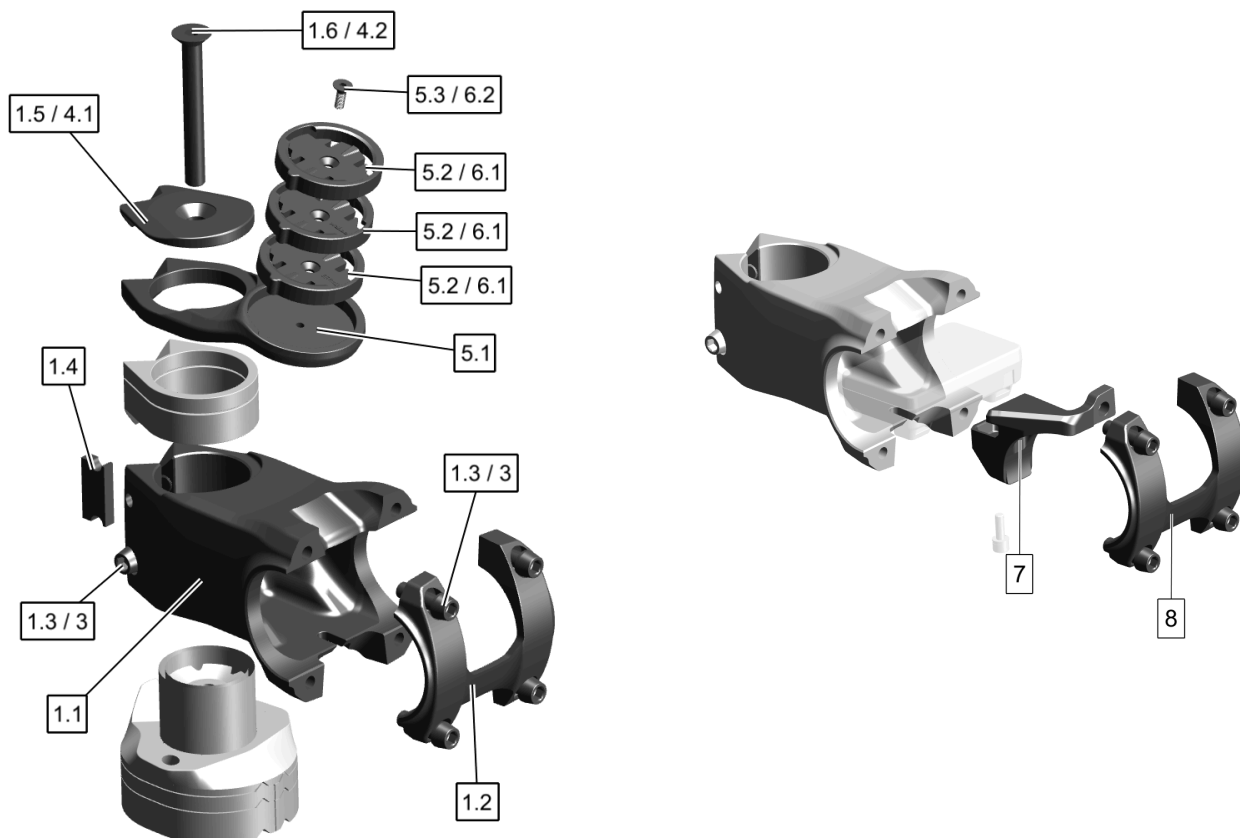
1. POTENCE OC ST-MC10		RÉF. : C025
		QTÉ
	1.1. Potence OC ST-MC10 (35 mm - 40 mm - 50 mm)	1
	1.2. Plaque avant de potence OC ST-MC10	1
	1.3. Boulon conique M5x15 R8. CrMo	6
	1.4. Butée de collier de pivot ST-MC10-11. 20 mm x 3,75 mm	1
	1.5. Bouchon HS02-31. ST-MC10/20	1
	1.6. Boulon M6x50 DIN 7991	1
2. POTENCE OC ST-MC20		RÉF. : C026
		QTÉ
	2.1. POTENCE OC ST-MC20 (35 mm - 40 mm - 50 mm)	1
	2.2. Plaque avant de potence OC ST-MC20	1
	2.3. Boulon conique M5x15 R8. CrMo	6
	2.4. Butée de collier de pivot ST-MC10-11. 20 mm x 3,75 mm	1
	2.5. Bouchon HS02-31. ST-MC10/20	1
	2.6. Boulon M6x50 DIN 7991	1





<b>3. JEU DE BOULONS DE POTENCE OC</b>		<b>RÉF. : XC78</b>
Compatible avec toutes les potences OC, sauf ST-RP21		<b>QTÉ</b>
	<b>3</b> Boulon conique M5x15 R8. CrMo	6
<b>4. BOUCHON ST-MC10/20 HS02-31</b>		<b>RÉF. : XC79</b>
		<b>QTÉ</b>
	<b>4.1</b> Bouchon HS02-31. ST-MC10/20	1
	<b>4.2</b> Boulon M6x50 DIN 7991	1
<b>5. FIXATION POUR COMPTEUR OC CM-05</b>		<b>RÉF. : C052</b>
Pour les potences OC ST-MC (Mountain Control)		<b>QTÉ</b>
	<b>5.1</b> Corps de fixation de compteur OC CM-05	1
	<b>5.2</b> Kit d'adaptateur CT-02 pour Garmin/Sigma, Wahoo, Bryton	3
	<b>5.3</b> Boulon M3x8 DIN 7991	1
<b>6. KIT D'ŒILLET HS02 DE COLLECTEUR SIC</b>		<b>RÉF. : C054</b>
		<b>QTÉ</b>
	<b>6.1</b> Kit d'adaptateur CT-02 pour Garmin/Sigma, Wahoo, Bryton	3
	<b>6.2</b> Boulon M3x8 DIN 7991	1






## POTENCE OC MC11

La potence OC ST-MC11 n'est pas prévue pour les fixations de la gamme Rise Hydro, mais est compatible avec le modèle.

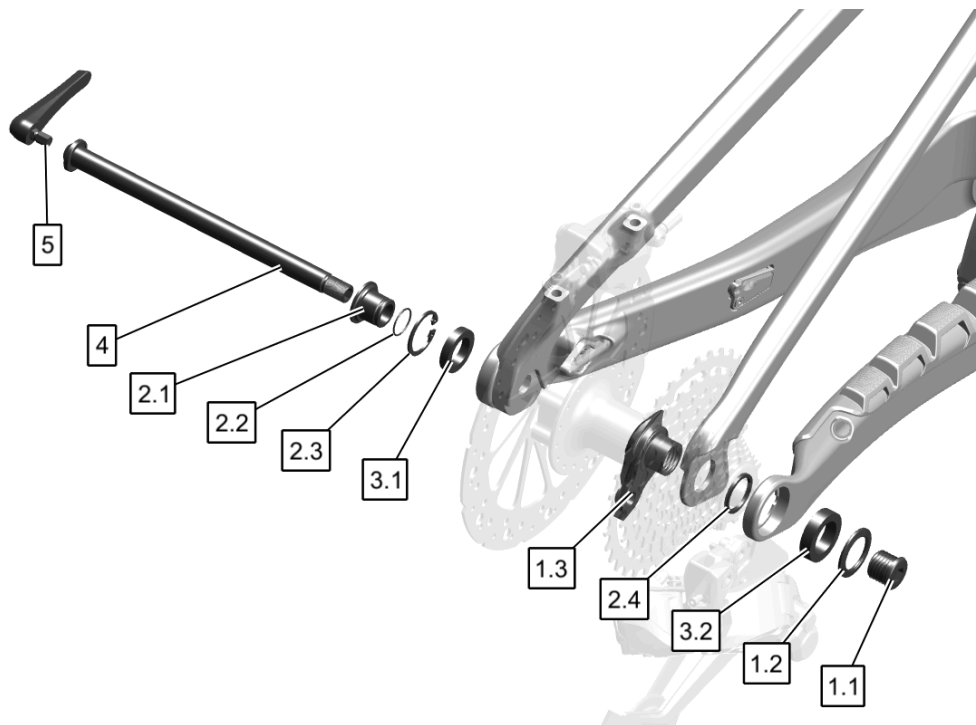


Cliquez sur la référence pour acheter la pièce en ligne





1. POTENCE OC ST-MC11		RÉF. : C074
		QTÉ
	1.1. Potence OC ST-MC11 (35 mm - 40 mm - 50 mm, 60 mm)	1
	1.2. Plaque avant de potence OC ST-MC11 (non compatible avec la fixation d'écran)	1
	1.3. Boulon conique M5x15 R8. CrMo	6
	1.4. Butée de collier de pivot ST-MC10-11. 20 mm x 3,75 mm	1
	1.5. Bouchon HS02-31. ST-MC10/20	1
	1.6. Boulon M6x50 DIN 7991	1
3. JEU DE BOULONS DE POTENCE OC		RÉF. : XC78
Compatible avec toutes les potences OC, sauf ST-RP21		QTÉ
	3 Boulon conique M5x15 R8. CrMo	6

<b>4. BOUCHON ST-MC10/20 HS02-31</b>		<b>RÉF. : XC79</b>
		<b>QTÉ</b>
	<b>4.1</b> Bouchon HS02-31. ST-MC10/20	1
	<b>4.2</b> Boulon M6x50 DIN 7991	1
<b>5. FIXATION POUR COMPTEUR OC CM-05</b>		<b>RÉF. : C052</b>
Pour les potences OC ST-MC (Mountain Control)		<b>QTÉ</b>
	<b>5.1</b> Corps de fixation de compteur OC CM-05	1
	<b>5.2</b> Kit d'adaptateur CT-02 pour Garmin/Sigma, Wahoo, Bryton	3
	<b>5.3</b> Boulon M3x8 DIN 7991	1
<b>6. KIT D'ŒILLET HS02 DE COLLECTEUR SIC</b>		<b>RÉF. : C054</b>
		<b>QTÉ</b>
	<b>6.1</b> Kit d'adaptateur CT-02 pour Garmin/Sigma, Wahoo, Bryton	3
	<b>6.2</b> Boulon M3x8 DIN 7991	1
<b>7. FIXATION D'ÉCRAN SC-EN600 DE POTENCE ST-MC11</b>		<b>RÉF. : n° XF83</b>
		<b>QTÉ</b>
	<b>7</b> Fixation de l'écran SC-EN600 de potence ST-MC11	1
<b>8. PLAQUE AVANT ST-MC11 SC-EN600</b>		<b>RÉF. : n° XF84</b>
Pour le montage de la fixation d'écran SC-EN600 (XF83)		<b>QTÉ</b>
	<b>8</b> Plaque avant ST-MC11 SC-EN600	1

## AXE ARRIÈRE

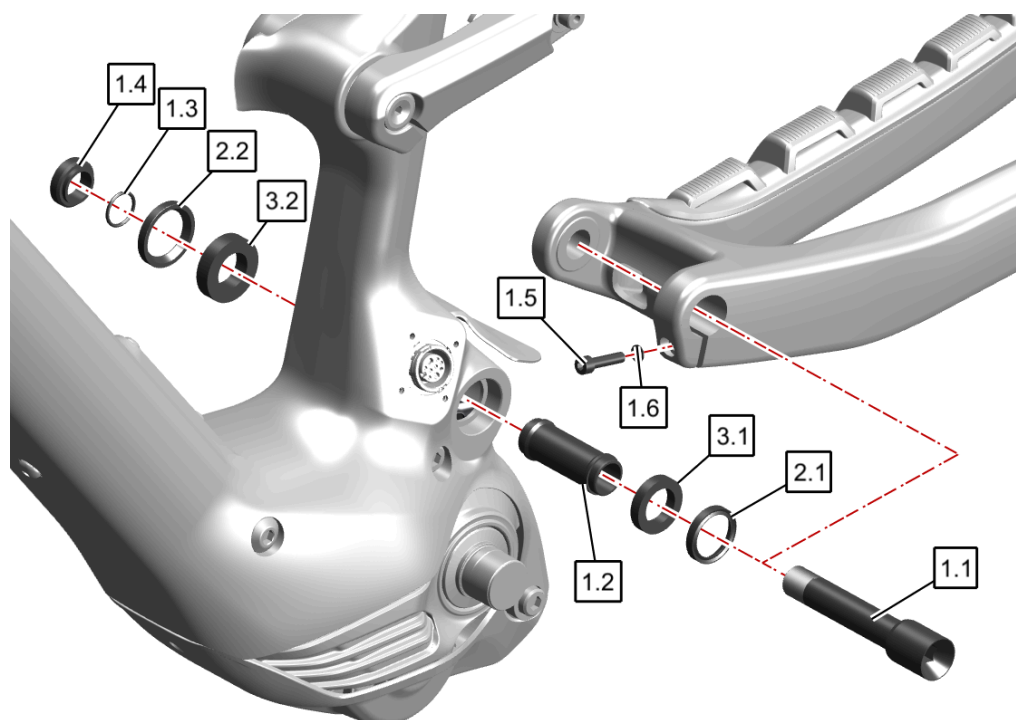


Cliquez sur la référence pour acheter la pièce en ligne

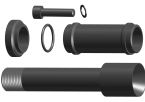


<b>1. PATTE DE DÉRAILLEUR SRAM UDH X12 OPTION FS</b>		<b>RÉF. : X004</b>
		<b>QTÉ</b>
	1.1. Boulon de patte de dérailleur SRAM UDH	1
	1.2. Rondelle de patte de dérailleur SRAM UDH Option FS	1
	1.3. Support de dérailleur arrière Sram UDH X12	1
<b>2. KIT DE BOULONNERIE D'AXE ARRIÈRE</b>		<b>RÉF. : XA50</b>
		<b>QTÉ</b>
	2.1. Insert base arrière-biellette Occam 24	1
	2.2. Joint torique 15 x 1	1
	2.3. Anneau SB 26	1
	2.4. Entretoise UDH	1
<b>3. KIT DE ROULEMENT D'AXE ARRIÈRE</b>		<b>RÉF. : XA16</b>
		<b>QTÉ</b>
	3.1. Roulement Enduro Max 20307	1
	3.2. Roulement Enduro Max 6803	1
<b>4. AXE DE ROUE 12x184 (1.0X15) CREUX</b>		<b>RÉF. : XA38</b>
		<b>QTÉ</b>
	4. Axe traversant roue 12x171 mm (filet 1,0x13 mm). Creux	1

<b>5. CAME D'AXE ARRIÈRE</b>			<b>RÉF : XD83</b>
			<b>QTÉ</b>
	<b>5</b>	Came d'axe arrière Allen 6 mm	<b>1</b>

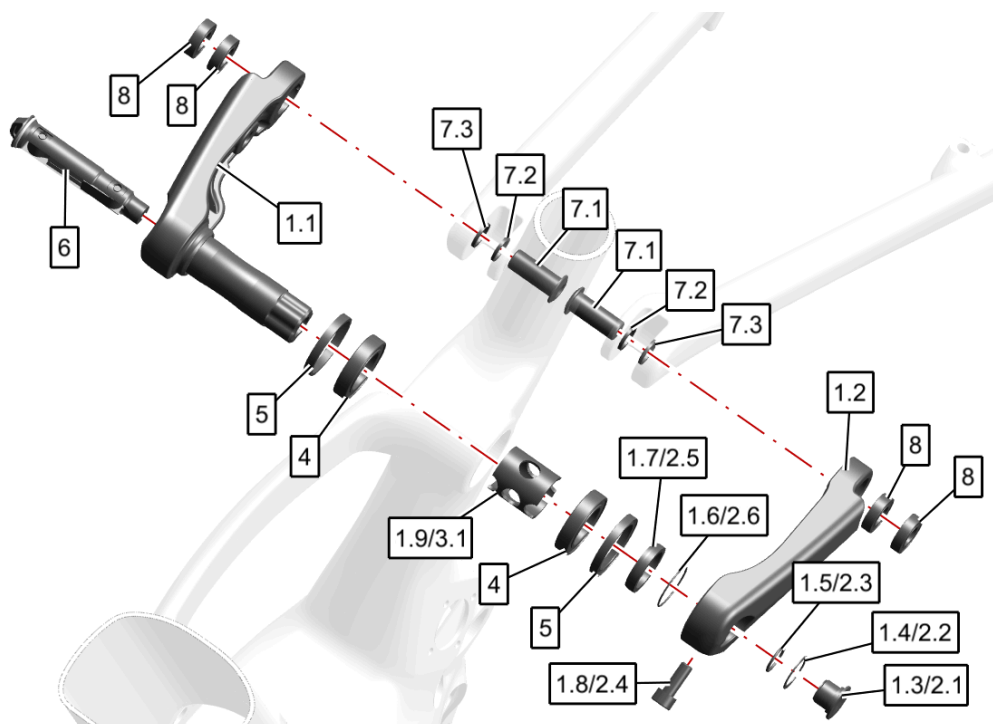
## POINT PIVOT PRINCIPAL DU BRAS OSCILLANT





Cliquez sur la référence pour acheter la pièce en ligne







<b>1. KIT DE BOULONNERIE DE POINT PIVOT PRINCIPAL RISE 25</b>		<b>RÉF. : n° XF86</b>
		<b>QTÉ</b>
	<b>1.1.</b> Axe de pivot principal Rise 25	1
	<b>1.2.</b> Entretoise de roulement de pivot Rise 25	1
	<b>1.3.</b> Joint torique 14 x 1,5 mm	1
	<b>1.4.</b> Douille interne de pivot principal	1
	<b>1.5.</b> Boulon en acier inoxydable M5x20 DIN912	1
	<b>1.6.</b> Rondelle 5x8x0,5	1
<b>2. KIT DE JOINTS DU POINT PIVOT PRINCIPAL</b>		<b>RÉF. : XA20</b>
		<b>QTÉ</b>
	<b>2.1.</b> Joint Enduro SE 20x26x4VG	1
	<b>2.2.</b> Joint Enduro SE 20x26x4VG	1
<b>3. KIT DE ROULEMENT DU POINT PIVOT PRINCIPAL</b>		<b>RÉF. : XA19</b>
		<b>QTÉ</b>
	<b>3.1.</b> Roulement Enduro Max 6803 17x26x5	1
	<b>3.2.</b> Roulement Enduro Max 6803 17x26x5	1

## BIELLETES



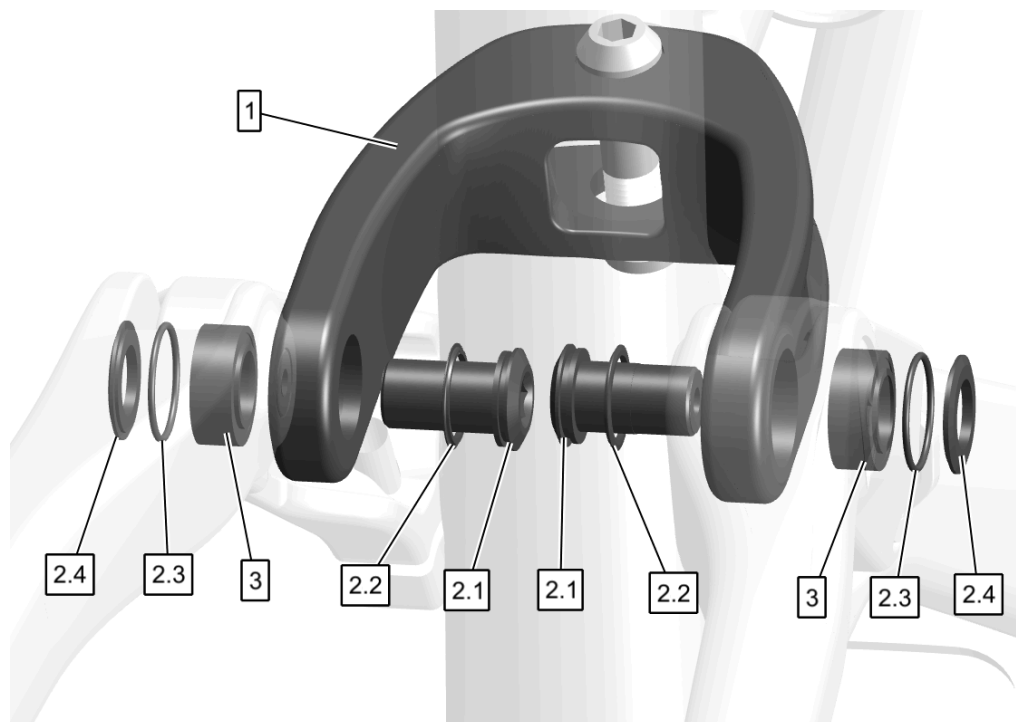
Cliquez sur la référence pour acheter la pièce en ligne

<b>1. BIELLETTE DU RISE 25</b>		RÉF. : n° XF87	
N'inclut pas les roulements		QTÉ	
	1.1	Biellette droite du Rise 2025+ axe	1
	1.2	Biellette droite Rise 2025	1
	1.3	Boulon de précontrainte de biellette avec aimant	1
	1.4	Rondelle en acier inoxydable 14,5x18x0,5	1
	1.5	Joint torique 12 x 1 mm	1
	1.6	Joint torique (inclus dans le 1.7)	1
	1.7	Douille d'entretoise de biellette	1
	1.8	Boulon en acier inoxydable M6x16 mm DIN 912	1
	1.9	Entretoise de roulement FT du Rise 25	1
<b>2. KIT DE BOULONNERIE DE BIELLETTE</b>		RÉF. : XC52	
	2.1	Boulon de précontrainte de biellette avec aimant	1
	2.2	Rondelle en acier inoxydable 14,5x18x0,5	1
	2.3	Joint torique 12 x 1 mm	1
	2.4	Boulon en acier inoxydable M6x16 mm DIN 912	1
	2.5	Douille d'entretoise de biellette	1
	2.6	Joint torique (inclus dans le 2.5)	1




<b>3. ENTRETOISE DE ROULEMENT FT</b>		<b>RÉF. : XG15</b>
		<b>QTÉ</b>
	<b>3.1</b> Entretoise de roulement FT du Rise 2025	1
<b>4. KIT DE ROULEMENT DE POINT PIVOT BIELLETTE-CADRE</b>		<b>RÉF. : XA25</b>
		<b>QTÉ</b>
	<b>4</b> Roulement Enduro Max 6 804 20x32x7	2
<b>5. KIT DE JOINT DE BIELLETTE-CADRE</b>		<b>RÉF. : XA26</b>
		<b>QTÉ</b>
	<b>5</b> Joint Enduro SE 25x32x4VG	2
<b>6. Multi-outils OC FLP MT-20, Hex 2, 3, 4, 5</b>		<b>RÉF. : XA14</b>
		<b>QTÉ</b>
	<b>6</b> Multi-outils OC FLP MT-20, Hex 2, 3, 4, 5	1
<b>7. KIT DE BOULONNERIE BIELLETTE-BASE ARRIÈRE RISE H 25</b>		<b>RÉF. : XG10</b>
Positionnez la petite entretoise sur l'entretoise externe et large à l'intérieur de la biellette.		<b>QTÉ</b>
	<b>7.1</b> Axe hauban-biellette du Rise 25	2
	<b>7.2</b> Entretoise interne.	2
	<b>7.3</b> Rondelle 10x13x1,5 mm AL6082	2
<b>8. KIT DE ROULEMENT BIELLETTE-HAUBAN</b>		<b>RÉF. : XA24</b>
		<b>QTÉ</b>
	<b>8</b> Roulement Enduro Max 6800 10x19x5	4



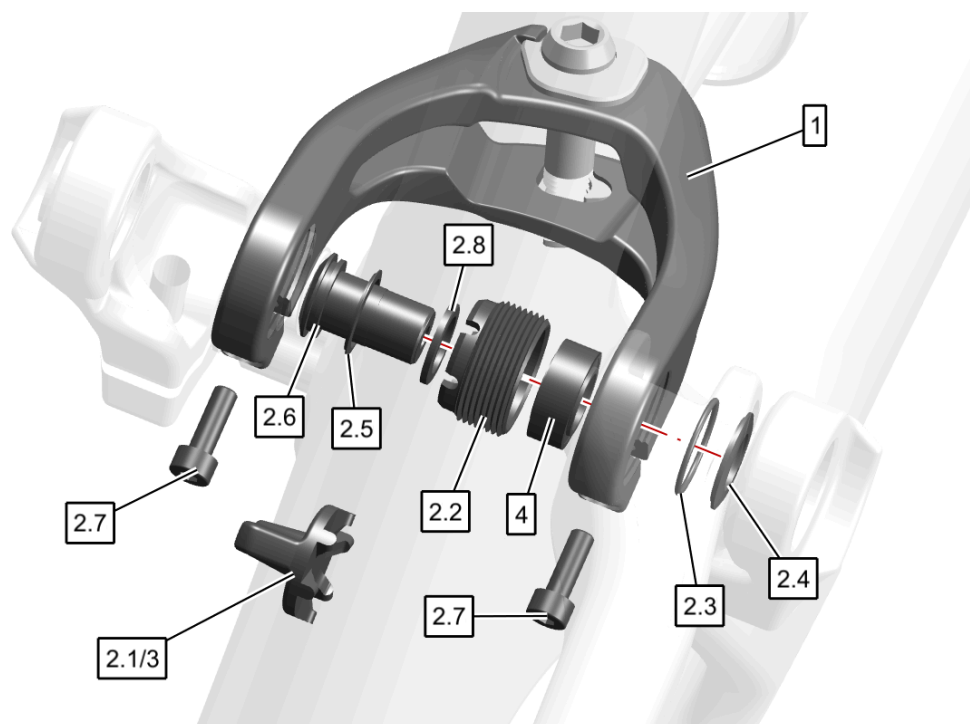
## RALLONGE D'AMORTISSEUR SL



Cliquez sur la référence pour acheter la pièce en ligne


<b>1. RALLONGE DU Rise H 25</b>		<b>RÉF. : XG14</b>
N'inclut pas les roulements		<b>QTÉ</b>
	<b>1</b> Rallonge en aluminium H SL	<b>1</b>
<b>2. KIT DE BOULONNERIE RALLONGE SL-BIELLETTE</b>		<b>RÉF. : XC83</b>
		<b>QTÉ</b>
	<b>2.1</b> Axe biellette-rallonge	<b>2</b>
	<b>2.2</b> Bague d'axe biellette-rallonge 15x12x0,9	<b>2</b>
	<b>2.3</b> Joint torique 15 x 1 mm	<b>2</b>
	<b>2.4</b> Entretoise Rallonge-biellette	<b>2</b>
<b>3. KIT DE ROULEMENT DE RALLONGE D'AMORTISSEUR</b>		<b>RÉF. : X983</b>
		<b>QTÉ</b>
	<b>3</b> Roulements : Enduro Double Raw Max 10177 10x17x6/7	<b>1</b>

## RALLONGE D'AMORTISSEUR LT




Cliquez sur la référence pour acheter la pièce en ligne

<b>1. RALLONGE DU Rise LT 25</b>		RÉF. : n° XF89
N'inclut pas les roulements		QTÉ
	1 Rallonge LT en aluminium Rise 25	1
<b>2. KIT DE BOULONNERIE RALLONGE LT-BIELLETTE</b>		RÉF. : XC85
		QTÉ
	2.1 Outil de cale de roulement de rallonge LT	1
	2.2 Cale de roulement de rallonge LT	2
	2.3 Joint torique 15 x 1 mm	2
	2.4 Entretoise Rallonge-biellette	2
	2.5 Bague d'axe biellette-rallonge 15x12x0,9	2
	2.6 Axe biellette-rallonge	2
	2.7 Boulon M4x12 DIN912	2
	2.8 Axle seat washer	2

<b>3. OUTIL DE CALE DE RALLONGE LT</b>		<b>RÉF : XD53</b>
		<b>QTÉ</b>
	<b>3</b> Outil de précontrainte de roulements-cale de rallonge LT	1

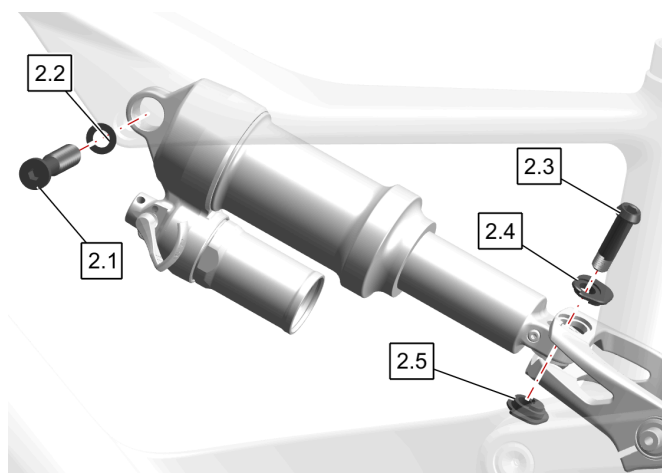
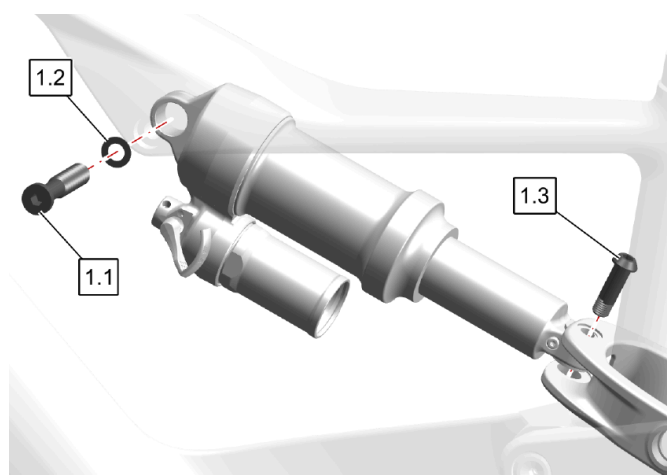
  

<b>4. KIT DE ROULEMENT DE RALLONGE D'AMORTISSEUR</b>		<b>RÉF. : 983</b>
		<b>QTÉ</b>
	<b>4</b> Roulements : Enduro Double Raw Max 10177 10x17x6/7	2

## FIXATION DE L'AMORTISSEUR

RISE H SL

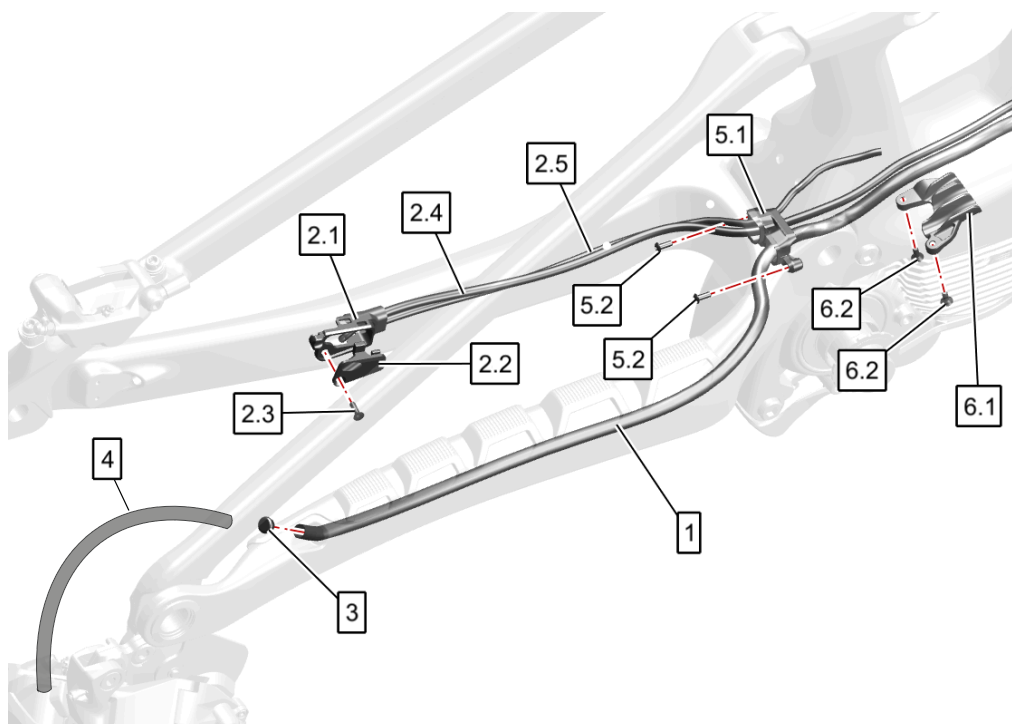
RISE H LT






Cliquez sur la référence pour acheter la pièce en ligne


1. KIT DE FIXATION D'AMORTISSEUR HYDRO S		RÉF : XD89
		QTÉ
	1.1. Boulon en aluminium amortisseur-cadre	1
	1.2. Rondelle 8x14x0,5	1
	1.3. Boulon de rallonge d'amortisseur SL	1
2. KIT DE FIXATION D'AMORTISSEUR HYDRO LT		RÉF : XD76
		QTÉ
	2.1. Boulon en aluminium amortisseur-cadre	1
	2.2. Rondelle 8x14x0,5	1
	2.3. Boulon de rallonge d'amortisseur LT	1
	2.4. Insert supérieur de rallonge Quick Flip LT	1
	2.5. Insert inférieur de rallonge Quick Flip LT	1

## CÂBLAGE




Cliquez sur la référence pour acheter la pièce en ligne


<b>1. TUBE D'ACHEMINEMENT DE CÂBLE DROIT</b>		<b>RÉF. : XC75</b>
		<b>QTÉ</b>
	<b>1</b> Base arrière droite du tube de passe-câble	1
<b>2. KIT DE PASSE-CÂBLE GAUCHE DU RISE 25</b>		<b>RÉF. : n° XF97</b>
		<b>QTÉ</b>
	<b>2.1</b> Corps de guide de câble de base arrière gauche de passe-câble	1
	<b>2.2</b> Cache de guide de câble de base arrière gauche de passe-câble	1
	<b>2.3</b> Boulon de guide de câble de base arrière gauche de passe-câble	1
	<b>2.4</b> Tube de capteur de vitesse de passe-câble	1
	<b>2.5</b> Tube de frein arrière de passe-câble	1
<b>3. BOUCHON D'OBTURATION DE DÉRAILLEUR ARRIÈRE AXS</b>		<b>RÉF. : X522</b>
		<b>QTÉ</b>
	<b>3</b> Bouchon d'obturation de dérailleur arrière Sram AXS de 6 mm	1

<b>4. TUBE DE PROTECTION DE CÂBLE DE MANETTE DE CHANGEMENT DE VITESSE DI2</b>		<b>RÉF. : X989</b>
		<b>QTÉ</b>
	<b>4</b> Tube de protection du câble de la manette de changement de vitesse Di2	2

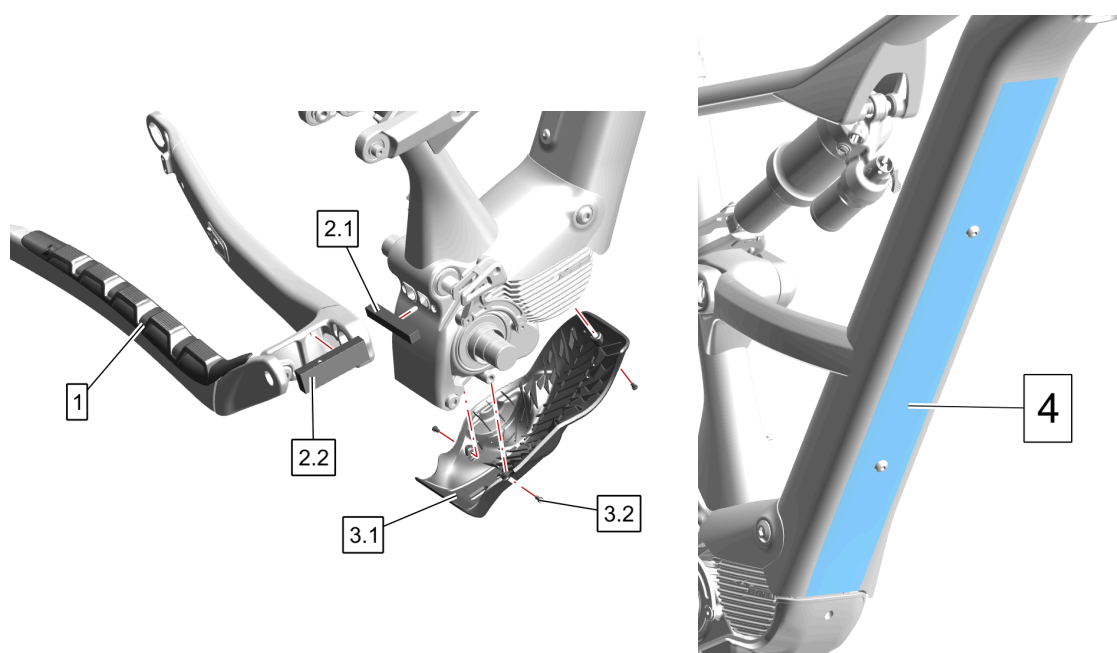
  

<b>5. GUIDE DE CÂBLE DE BRAS OSCILLANT FT DE PASSE-CÂBLE</b>		<b>RÉF. : n° XF95</b>
		<b>QTÉ</b>
	<b>5.1</b> Guide de câble de bras oscillant FT	1
	<b>5.2</b> Boulon en acier inoxydable M3x8mm ISO7380	2

<b>6. GUIDE-CÂBLE DE LOGEMENT DE MOTEUR</b>		<b>RÉF. : n° XF96</b>
		<b>QTÉ</b>
	<b>6.1</b> Guide-câble de logement de moteur	1
	<b>6.2</b> Boulon en acier inoxydable M3x10 DIN 7991	2

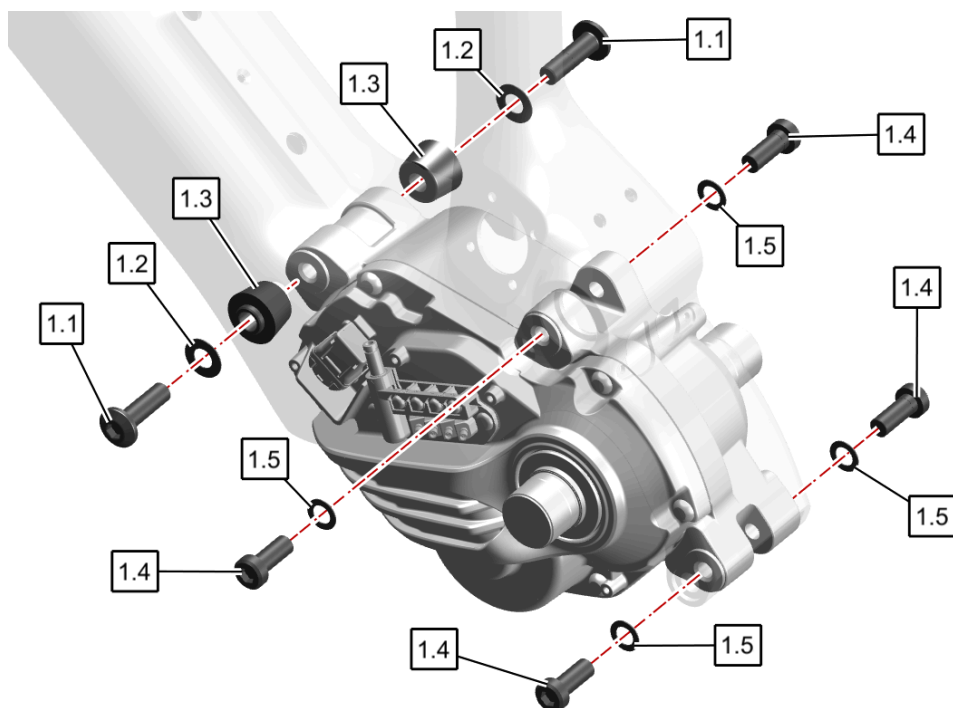
## PROTECTIONS




Cliquez sur la référence pour acheter la pièce en ligne

<b>1. PROTECTION EN CAOUTCHOUC DE BASE ARRIÈRE DROITE DU RISE H 25</b>		<b>RÉF. : XG11</b>
		<b>QTÉ</b>
	<b>1</b> Protection en caoutchouc de base arrière droite adhésive du Rise H 25	<b>1</b>
<b>2. PROTECTION EN MOUSSE DE BRAS OSCILLANT FT</b>		<b>RÉF. : XG12</b>
		<b>QTÉ</b>
	<b>2.1</b> Protection inférieure en mousse adhésive FT	<b>1</b>
	<b>2.2</b> Protection supérieure en mousse adhésive à charnière	<b>1</b>
<b>3. PROTECTION DU MOTEUR EP801/EP6 DU RISE 25</b>		<b>RÉF. : n° XF93</b>
		<b>QTÉ</b>
	<b>3.1</b> Protection du moteur électrique EP801/EP6 du Rise 25	<b>1</b>
	<b>3.2</b> Boulon de protection du moteur	<b>3</b>
<b>4. PROTECTION TRANSPARENTE DE TUBE DIAGONAL</b>		<b>RÉF. : XG13</b>
		<b>QTÉ</b>
	<b>4</b> Protection adhésive transparente du tube diagonal	<b>1</b>

## FIXATION DU MOTEUR ÉLECTRIQUE

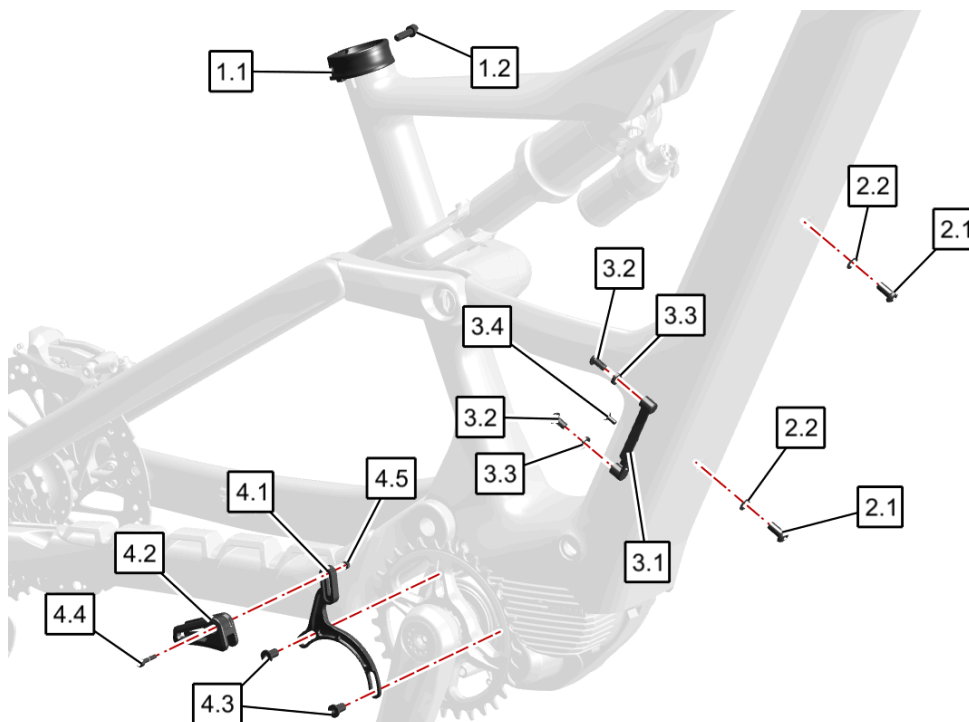


Cliquez sur la référence pour acheter la pièce en ligne





1. KIT DE FIXATION DU MOTEUR ÉLECTRIQUE DU RISE 2025			RÉF. : n° XF99
			QTÉ
	1.1	Boulon M8x27.6 C16.5	2
	1.2	Rondelle en acier inoxydable 8,5x16,5x0,5	2
	1.3	Douille de moteur électrique avant 8x22x13.6	2
	1.4	Boulon M8xP1.25	4
	1.5	Rondelle 13 mm	4




## AUTRE BOULONNERIE DE CADRE

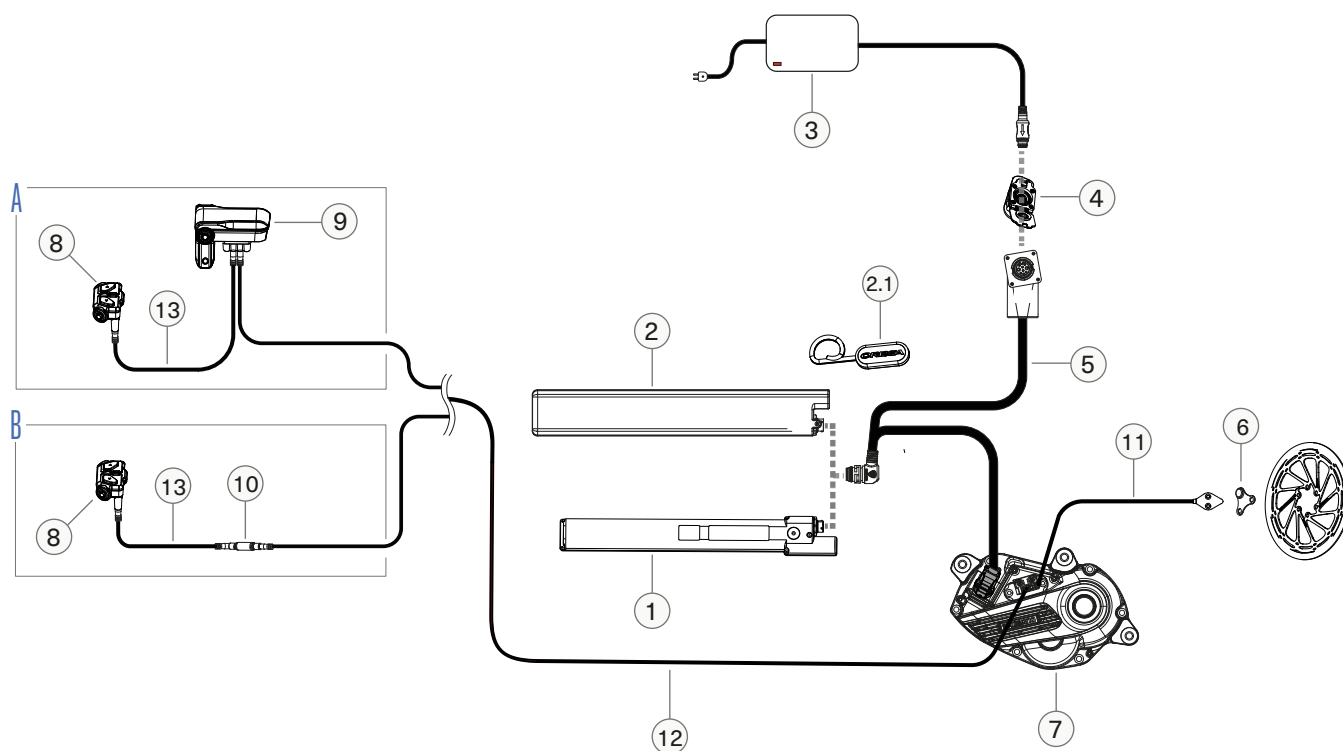


Cliquez sur la référence pour acheter la pièce en ligne

<b>1. COLLIER DE TIGE DE SELLE 34.9</b>		<b>RÉF. : X202</b>
		<b>QTÉ</b>
	1.1 Collier de tige de selle 34,9 mm. Noir	1
	1.2 Boulon de collier	1
<b>2. KIT DE FIXATION DE BATTERIE INTERNE</b>		<b>RÉF. : XA88</b>
		<b>QTÉ</b>
	2.1 Boulon de batterie M6x9mm	2
	2.2 Rondelle 6x11x0,5 mm	2
<b>3. KIT DE PLAQUE INTERNE DE PORTE-BIDON</b>		<b>RÉF. : n° XF98</b>
		<b>QTÉ</b>
	3.1 Plaque interne de porte-bidon	1
	3.2 Boulon M5x10 mm	2
	3.3 Rondelle 5,5x10x2, noire	2
	3.4 Boulon M3x6 mm DIN 7991	1
<b>3.a. KIT DE BOULON DE PORTE-BIDON DU RISE</b>		<b>RÉF. : XA80</b>
		<b>QTÉ</b>
	3.a.1 Rondelle 5,5x10x2, noire	4
	3.a.2 Boulon M5x10 mm	1

<b>4. KIT DE GUIDE-CHAÎNE DU RISE 25. LIGNE DE CHAÎNE 55</b>			<b>RÉF. : n° XF90</b>
			<b>QTÉ</b>
	<b>4.1</b>	Ligne de chaîne du support de guide de chaîne Rise 25 de 55 mm	1
	<b>4.2</b>	Corps de guide-chaîne	1
	<b>4.3</b>	Boulons de moteur et de guide de chaîne	2
	<b>4.4</b>	Boulon M3x15 DIN 912	1
	<b>4.5</b>	Écrou M3 DIN934	1

## COMPOSANTS DU SYSTÈME ÉLECTRIQUE













Cliquez sur la référence pour acheter la pièce en ligne (pièces Orbea)

**A.** Avec écran Shimano SC-EN600

**B.** Sans écran Shimano SC-EN600

### COMPOSANTS DES SYSTÈMES ORBEA EBIKE

<b>1. BATTERIE ORBEA 420 Wh 2e gén.</b>		RÉF. : XG03
Disponible chez les revendeurs Orbea		QTÉ
	<b>1.</b> Batterie Orbea 420 Wh 2e gén.	1
<b>2. BATTERIE ORBEA 630 Wh 2e gén.</b>		RÉF. : n° XF39
Disponible chez les revendeurs Orbea		QTÉ
	<b>1.</b> Batterie Orbea 630 Wh 2e gén.	1
<b>2.1. BOUCLE DE BATTERIE ORBEA</b>		RÉF. : n° XF80
		QTÉ
	<b>2.1.</b> Boucle de batterie Orbea	1







<b>3. CHARGEUR ORBEA SMART 2E GÉN</b>		<b>RÉF. : X977</b>
		<b>QTÉ</b>
	<b>3.</b> Chargeur Orbea Smart 2e gén.	1
<b>4. CACHE DU POINT DE CHARGE DU RISE 25</b>		<b>RÉF. : XG01</b>
Comprend les boulons de fixation		<b>QTÉ</b>
	<b>4..</b> Cache du point de charge du Rise 25	1
<b>5. FAISCEAU DE CÂBLES 2E GÉN. DU RISE 25</b>		<b>RÉF. : XG02</b>
		<b>QTÉ</b>
	<b>5..</b> Faisceau de câble du point de charge-moteur électrique-batterie Rise 25 2e Gén	1
<b>6. AIMANT DU CAPTEUR DE VITESSE À 6 BOULONS</b>		<b>RÉF. : X240</b>
		<b>QTÉ</b>
	<b>6..</b> Aimant du capteur de vitesse de disque à 6 boulons	1
<b>COMPOSANTS SHIMANO</b> (disponibles chez les distributeurs Shimano)		
<b>7. MOTEUR ÉLECTRIQUE EP801/EP6</b>		<b>DU-EP801 / DU-EP6</b>
		<b>QTÉ</b>
	<b>7.</b> Moteur électrique Shimano EP801/EP6	1
<b>8. TÉLÉCOMMAGE SW-EN600-L</b>		<b>SW-EN600-L</b>
		<b>QTÉ</b>
	<b>8.</b> Télécommande SW-EN600-L	1
<b>9. ÉCRAN SC-EN600</b>		<b>SC-EN600</b>
		<b>QTÉ</b>
	<b>9.</b> Écran SC-EN600	1

<b>10. BOÎTIER DE JONCTION EW-JC302</b>		<b>EW-JC302</b>
		<b>QTÉ</b>
	<b>10.</b> Boîtier de jonction EW-JC302	1
<b>11. CAPTEUR DE VITESSE EW-SS301</b>		<b>EW-SS301</b>
Comprend les boulons de fixation		<b>QTÉ</b>
	<b>11.</b> Capteur de vitesse EW-SS301	1
<b>12. CÂBLE EW-SD300 de 1 200 mm</b>		<b>EW-SD300 700</b>
		<b>QTÉ</b>
	<b>12.</b> Câble EW-SD300 de 1 200 mm	1
<b>13. CÂBLE EW-SD300 de 700 mm</b>		<b>EW-SD300 700</b>
		<b>QTÉ</b>
	<b>13.</b> Câble EW-SD300 de 1 200 mm	1

## RANGE EXTENDER RS 210 WH 2E GÉNÉRATION



Cliquez sur la référence pour acheter la pièce en ligne

<b>1. RANGE EXTENDER RS 210 Wh 2e GÉNÉRATION</b>		<b>RÉFÉRENCE : N/A</b>
Inclut la câble de connexion 120 mm, la fixation de porte-bidon et la bande de caoutchouc de fixation		<b>QTÉ</b>
	<b>1</b> Range Extender RS 210 complet	<b>1</b>
<b>2. CÂBLE DE CONNEXION DU RANGE EXTENDER RS 210 Wh 120 mm</b>		<b>RÉF. : XG04</b>
		<b>QTÉ</b>
	<b>2</b> Câble de connexion du Range Extender RS 210 Wh 2e Gén. 120 mm	<b>1</b>
<b>3. FIXATION DU RANGE EXTENDER RS 210 Wh 2e GÉNÉRATION</b>		<b>RÉF. : XG05</b>
		<b>QTÉ</b>
	<b>3</b> Fixation de porte-bidon Range Extender RS 210 Wh 2e Gén.	<b>1</b>
<b>4. KIT DE BANDE DE CAOUTCHOUC DE FIXATION DU RANGE EXTENDER RS 210 Wh</b>		<b>RÉF. : XG06</b>
		<b>QTÉ</b>
	<b>4</b> Kit de bande de caoutchouc de fixation du Range Extender	
<b>5. KIT DE BOULON DE PORTE-BIDON DU RISE</b>		<b>RÉF. : XA80</b>
		<b>QTÉ</b>
	<b>5.1</b> Rondelle 5,5x10x2, noire	<b>4</b>
	<b>5.2</b> Boulon M5x10	<b>2</b>

# 25 INFORMATIONS SUPPLÉMENTAIRES

Trouvez de plus amples informations sur Orbea dans les réseaux sociaux

## FACEBOOK

[www.facebook.com/orbeabicycles](http://www.facebook.com/orbeabicycles)

## INSTAGRAM

[www.instagram.com/orbeabicycles](http://www.instagram.com/orbeabicycles)

## LINKEDIN

[www.linkedin.com/company/orbea-s-coop](http://www.linkedin.com/company/orbea-s-coop)

## YOUTUBE

[www.youtube.com/user/OrbeaBicycles](http://www.youtube.com/user/OrbeaBicycles)

## MANUELS

Téléchargez la dernière version du présent manuel, ainsi que celui de tous les autres produits Orbea ou OC sur le site Internet :

<https://www.orbea.com/fr-fr/assistance/manuels/>

## CONTACT

Si vous avez des questions relatives à nos produits, veuillez consulter :

[www.orbea.com/fr-fr/contact/](http://www.orbea.com/fr-fr/contact/)

## BLOG ORBEA

[www.orbea.com/blog](http://www.orbea.com/blog)

---

Orbea S. Coop. 2024  
Goitondo Kalea, 2, 48269 Mallabia, Bizkaia. Espagne

T. 0034 943 17 19 50

Tous droits réservés. La modification du présent document est interdite. Le contenu du présent manuel est sujet à des modifications des spécifications sans préavis.

Pour obtenir la dernière version, veuillez consulter [www.orbea.com](http://www.orbea.com)

# INDICE

<b>01 INFO SU QUESTO MANUALE .....</b>	<b>380</b>
<b>02 LEGENDA DEI SIMBOLI .....</b>	<b>381</b>
<b>03 GARANZIA ORBEA .....</b>	<b>382</b>
Garanzia legale .....	382
Garanzia a vita Orbea .....	382
Registra la tua bicicletta .....	382
Garanzia sui componenti del sistema di servoassistenza elettrica .....	383
Componenti Shimano Steps .....	383
Componenti esclusivi Orbea RS .....	383
Procedura per le richieste di prestazioni coperte da garanzia .....	383
<b>04 MANUTENZIONE .....</b>	<b>384</b>
Mantenere pulita la bicicletta .....	384
Lubrificare la trasmissione .....	384
Ispezionare la bici prima di ogni utilizzo .....	384
Intervalli di manutenzione .....	385
Ricambi .....	386
Dopo un incidente o un impatto .....	387
<b>05 AVVERTENZE PER L'UTILIZZO DELLA RISE .....</b>	<b>388</b>
Larghezza massima degli pneumatici .....	388
Inserimento minimo del reggisella .....	388
Lunghezza massima della forcella (dall'asse alla corona) .....	388
Numero massimo di distanziali per la serie sterzo .....	388
Distanza minima tra ruota e sella alla massima compressione .....	389
Uso previsto .....	389
<b>06 AVVERTENZE SULL'USO DEL SISTEMA DI SERVOASSISTENZA ELETTRICA .....</b>	<b>390</b>
Attenersi sempre alle istruzioni per l'uso dei componenti elettrici e delle batterie .....	390
Ulteriori informazioni importanti sulle batterie agli ioni di litio Orbea Ebike System .....	391
Autonomia .....	393
Trasporto delle batterie delle bici elettriche .....	393
Trasporto delle bici elettriche .....	393
<b>07 SPECIFICHE TECNICHE .....</b>	<b>394</b>
Geometria .....	394
Ergonomia .....	395
Altezza massima e minima della sella con reggisella telescopico .....	395
Specifiche tecniche del telaio .....	397



Specifiche tecniche Shimano Ep801 ed Ep600 .....	400
Specifiche tecniche Orbea E-bike System Gen2 .....	402
<b>08 UTILIZZO DELLA RISE .....</b>	<b>405</b>
Ricarica della batteria interna .....	405
Batterie interne Orbea RS 630 Wh Gen2 e 420 Wh Gen2 .....	405
Batteria esterna Range Extender 210 Wh Gen2 .....	406
Accensione/Spegnimento della Rise .....	406
Visualizzazione del livello di carica della batteria .....	406
Telecomando SW-EN600-L .....	406
Display SC-EN600 .....	406
Dispositivi Garmin compatibili. Orbea RS Toolbox .....	407
Batterie Orbea RS Gen2 .....	407
Modifica del livello di servoassistenza .....	407
Profili di servoassistenza. RS/RS+ .....	408
Selezione dei profili di servoassistenza .....	408
Personalizzazione dei livelli di servoassistenza .....	409
Avvertenze/errori in relazione all'uso del sistema di servoassistenza elettrica .....	410
Utilizzo del display con l'interruttore SW-EN600-L .....	411
Collegamento luci sulla Rise .....	411
App E-TUBE RIDE .....	411
Orbea RS Toolbox. Campo dati per dispositivi Garmin .....	412
Regolazione ammortizzatore .....	412
Regolazione forcella ammortizzata .....	412
Regolazione ammortizzatori .....	416
<b>09 SERIE STERZO HS02 .....</b>	<b>421</b>
Elementi serie sterzo HS02 sulla Rise Hydro .....	421
Specifiche serie sterzo HS02 per la Rise .....	422
Passaggio dei cavi nella serie sterzo HS02 sulla Rise .....	422
Installazione della serie sterzo HS02 .....	423
Aggiunta e rimozione di distanziali per serie sterzo .....	425
<b>10 ATTACCHI MANUBRIO .....</b>	<b>427</b>
Attacchi manubrio OC ST-MC10 / ST-MC20. Elementi .....	427
ATTACCO MANUBRIO OC ST-MC11. Elementi .....	428
Attacchi manubrio OC MC10/MC11/MC20. Specifiche tecniche .....	428
OC ST-MC10, ST-MC20 e ST-MC11. Composti per montaggio e coppie di serraggio .....	429
Installazione degli attacchi manubrio OC Mountain Control .....	430
<b>11 SUPPORTO GPS OC CM-05 .....</b>	<b>432</b>
<b>12 MANUBRIO .....</b>	<b>433</b>
Specifiche manubri OC .....	433
<b>13 ASSI POSTERIORI E FORCELLINO .....</b>	<b>434</b>
Composti per montaggio e coppie di serraggio .....	434

<b>14 PUNTO DI ARTICOLAZIONE PRINCIPALE DEL FORCELLONE .....</b>	<b>435</b>
Composti per montaggio e coppie di serraggio .....	435
Procedura di installazione .....	436
<b>15 AREA LEVERAGGIO E AMMORTIZZATORE .....</b>	<b>436</b>
Elementi .....	437
Composti per montaggio e coppie di serraggio .....	437
Punto di articolazione telaio-leveraggio. Composti per montaggio e coppie di serraggio .....	437
Punto di articolazione leveraggio-foderi alti. Composti per montaggio e coppie di serraggio .....	438
Prolunga SL. Composti per montaggio e coppie di serraggio .....	438
Prolunga LT. Composti per montaggio e coppie di serraggio .....	439
Fissaggio ammortizzatore SL .....	441
Fissaggio ammortizzatore LT .....	441
Attitude Adjust. variaioni geometria sui modelli LT models. ....	441
<b>16 INSTALLAZIONE MORSETTO REGGISELLA .....</b>	<b>443</b>
<b>17 GUIDACATENA.....</b>	<b>444</b>
<b>18 LOCKR. ALLOGGIAMENTO ATTREZZI NEL TELAIO .....</b>	<b>444</b>
Multi-tool e camma asse post. OC FLP MT-20 .....	444
<b>19 PIASTRA PORTABORRACCIA .....</b>	<b>445</b>
<b>20 PROTEZIONI .....</b>	<b>446</b>
Paracorona e protezioni motore .....	446
<b>21 CABLAGGIO .....</b>	<b>447</b>
Panoramica del cablaggio dei componenti nel telaio .....	447
Sistema Cable Pass. Cablaggio tra il triangolo principale e il forcellone.....	447
Installazione dei tubi Cable Pass .....	448
Cablaggio motore. ....	450
Passaggio dei cavi dei componenti Shimano nell'attacco manubrio e nel manubrio.....	450
<b>22 COMPONENTI DEL SISTEMA DI SERVOASSISTENZA ELETTRICA .....</b>	<b>452</b>
Diagramma collegamento componenti .....	452
Collegamento dei componenti motore.....	453
Sensore di velocità. Dischi freno e magneti compatibili .....	454
Fissaggio del motore sul telaio .....	455
Batteria interna.....	455
Specifiche tecniche batteria interna .....	455
Fissaggio della batteria interna al telaio .....	456
Collegamento del cablaggio alla batteria interna .....	456
Risoluzione dei problemi della batteria interna (Informazioni per i distributori).....	457
Rimozione della batteria interna (informazioni per i rivenditori) .....	457
Range Extender RS 210 Wh Gen2.....	460
Avviso sulla compatibilità.....	460
Specifiche tecniche.....	460

Ricarica del Range Extender .....	461
Montaggio del Range Extender .....	462
Funzionamento del Range Extender .....	463
Visualizzazione livello di carica .....	464
Stoccaggio del Range Extender .....	465
Verifica dello stato di salute del Range Extender .....	465
Soluzione dei problemi .....	466
Smart Charger 2A-4A Gen2 .....	467
Connessione a Etube Professional. Informazioni per i distributori.. .....	469
<b>23 COPPIE DI SERRAGGIO. PANORAMICA .....</b>	<b>472</b>
<b>24 RICAMBI RISE HYDRO 2025.....</b>	<b>474</b>
Serie sterzo .....	475
Attacchi manubrio OC MC10/MC20 .....	477
Attacco manubrio OC MC11 .....	479
Asse posteriore. ....	481
Punto di articolazione principale del forcellone .....	483
Leveraggio. ....	484
prolunga ammortizzatore SL .....	486
Adattatore ammortizzatore LT .....	487
Fissaggio ammortizzatore. ....	489
Cablaggio. ....	490
Protezioni. ....	492
Fissaggio motore .....	493
Altra ferramenta telaio. ....	494
Componenti del sistema elettrico .....	496
Range Extender RS 210 Wh Gen2. ....	499
<b>25 INFORMAZIONI AGGIUNTIVE .....</b>	<b>500</b>

# 01 INFO SU QUESTO MANUALE

Questo manuale tecnico contiene informazioni importanti sulla tua bicicletta, il suo uso, la manutenzione e le parti di ricambio. Leggilo con attenzione.

Questo documento è un supplemento del Manuale Generale dell'Utente per le biciclette e i componenti Orbea e descrive l'uso appropriato e la regolazione dei componenti delle biciclette per una circolazione e un funzionamento sicuri. Puoi visionare e scaricare il Manuale dell'Utente e gli altri manuali tecnici dei prodotti Orbea dal nostro sito internet:

[www.orbea.com/gb-en/support/manuals](http://www.orbea.com/gb-en/support/manuals)

Le informazioni sull'uso, la manutenzione e le caratteristiche dei componenti di altri produttori montati sulle nostre biciclette, come ruote, manubri, sistemi a pedalata assistita, forcelle ammortizzate, ecc., sono consultabili sul sito internet del produttore o attraverso il rispettivo rivenditore nel proprio Paese.

## **AVVERTENZE PER GLI UTENTI**

---

L'assemblaggio e/o la manutenzione dei componenti descritti in questo manuale richiedono conoscenze meccaniche che possono andare oltre le capacità della maggior parte degli acquirenti. Se l'utente non dispone delle conoscenze necessarie per un'installazione sicura di questi componenti, consigliamo di affidarsi sempre a un distributore Orbea per effettuare l'installazione, la sostituzione e/o la manutenzione dei componenti della bicicletta, al fine di garantirne la sicurezza.

I danni ai componenti causati da installazioni o manutenzioni non corrette non sono coperti dalle condizioni di garanzia.

## 02 LEGENDA DEI SIMBOLI

Nel presente manuale tecnico sono utilizzati simboli che indicano istruzioni, avvertenze e informazioni importanti per l'uso, la manutenzione e il montaggio. Prestare attenzione a tali simboli per evitare situazioni pericolose e garantire un uso e un montaggio corretti di tutti i componenti.

Il significato dei simboli viene illustrato qui di seguito. Nel presente manuale, il simbolo potrà apparire accompagnato unicamente dall'istruzione pertinente per il componente descritto. Leggere attentamente le seguenti informazioni, assicurandosi di comprenderne il significato.

### ISTRUZIONI DI SICUREZZA



**PERICOLO:** Situazione pericolosa che, se non evitata, può causare lesioni gravi o letali



**AVVERTENZA:** Situazione pericolosa che, se non evitata, può causare lesioni gravi o letali.



**ATTENZIONE:** Situazione pericolosa che, se non evitata, può causare lesioni da leggere a moderate.

#### AVVISO

Situazione non connessa a lesioni fisiche. Informazioni importanti.



**PERICOLO. RISCHIO DI SCOSSA ELETTRICA:** Situazione pericolosa che, se non evitata, potrebbe comportare morte o lesioni gravi per scossa elettrica.



**AVVERTENZA. RISCHIO DI CORTO CIRCUITO:** Il mancato rispetto delle istruzioni potrebbe provocare cortocircuiti nei componenti elettrici, con conseguenti danni ai componenti stessi e rischio di incendio.

I simboli PERICOLO e AVVERTENZA implicano sempre un rischio di incidente se non si adottano le misure necessarie per evitare la situazione che descrivono. Un incidente in bicicletta può comportare il rischio di lesioni gravi o anche letali. Nel presente manuale, il rischio di morte potrebbe pertanto non essere sempre menzionato quando

compaiono questi simboli, dato che tale rischio viene illustrato in questo punto.

### UTENSILI E COPPIE DI SERRAGGIO



CHIAVE INGLESE



CHIAVE TORX



CHIAVE A BRUGOLA



CACCIAVITE PHILLIPS



La misura dell'utensile da usare è riportata all'interno del simbolo



10 N.m

La coppia di serraggio indicata in Newton metro (N m) è specificata sotto il simbolo dell'utensile da utilizzare.

Utilizzare sempre i prodotti o gli strumenti adeguati per una specifica operazione di manutenzione o riparazione. Strumenti non adatti o soggetti a scarsa manutenzione, oppure l'utilizzo di prodotti generici, possono causare danni ai componenti non coperti dalle condizioni di garanzia.

### COMPOSTO PER IL MONTAGGIO

Le istruzioni per i composti per montaggio da utilizzare per un componente o un'area specifici sono riportate in ciascuna immagine relativa a tali assemblaggi specifici in tutto il manuale.

## 03 GARANZIA ORBEA

Il nostro impegno costante per garantire la massima qualità delle nostre biciclette ci consente di offrire la seguente garanzia e le seguenti condizioni di copertura:

### GARANZIA LEGALE

Orbea offre al proprietario originario della bicicletta Orbea, forcella rigida o componente OC, una garanzia legale di 3 anni dal momento dell'acquisto degli articoli, o per il periodo previsto come periodo di garanzia legale nel Paese di acquisto.

La presente garanzia copre tutti i prodotti Orbea da difetti di fabbricazione e/o mancanza di conformità e garantisce la riparazione o la sostituzione del prodotto difettoso senza costi aggiuntivi per il cliente. Analogamente, la presente garanzia copre anche i difetti di pittura, verniciatura e corrosione su tutti i telai e le forcelle rigide sulle nostre biciclette durante il periodo indicato nel precedente paragrafo della presente garanzia.

L'elaborazione di qualsiasi richiesta di prestazioni coperte da garanzia per componenti provenienti da fornitori esterni a Orbea dovrà essere gestita attraverso un distributore autorizzato dal fornitore del componente in questione.

La presente garanzia non copre in alcun caso danni derivanti da uso inappropriato, cadute o incidenti o mancanza di manutenzione, né dal deterioramento ordinario delle parti soggette a usura come, a mero titolo esemplificativo: guarnizioni, cuscinetti, nastri manubrio, raggi, pneumatici, selle, ecc.

Per una descrizione completa delle condizioni della copertura e della garanzia legale, consultare:

[www.orbea.com/gb-en/warranty](http://www.orbea.com/gb-en/warranty)

### GARANZIA A VITA ORBEA

Oltre alla garanzia legale, Orbea offre all'acquirente originario della bicicletta la garanzia commerciale a vita Orbea, che copre i telai e le forcelle rigide che montiamo sulle nostre bici dai difetti di fabbricazione e da problemi di conformità dei materiali senza limiti di tempo, a condizione che l'acquirente abbia registrato il prodotto sul sito web Orbea entro 30 giorni dall'acquisto.

Questa garanzia estende il periodo originale di copertura dai difetti di pittura, verniciatura e corrosione dei telai e delle forcelle rigide per un anno aggiuntivo dalla fine del periodo di garanzia legale.

La garanzia a vita commerciale Orbea copre unicamente i telai e le forcelle rigide, ma non i componenti OC.

Per conoscere la descrizione completa delle condizioni della garanzia a vita, visita:

[www.orbea.com/gb-en/warranty/#orbea-lifetime-warrant](http://www.orbea.com/gb-en/warranty/#orbea-lifetime-warrant)

## REGISTRA LA TUA BICICLETTA

Per godere dei benefici dell'estensione della garanzia a vita Orbea, devi registrare la tua bicicletta entro 30 giorni dall'acquisto su:

[www.orbea.com/gb-en/acceso-registro?from=register-plate/](http://www.orbea.com/gb-en/acceso-registro?from=register-plate/)

### 1. REGISTRA IL TUO ACCOUNT

The screenshot shows the 'REGISTRATE EN ORBEA' form. It includes fields for 'EMAIL\*' and 'CONTRASEÑA\*' (password), with a 'CONFIRMAR CONTRASEÑA\*' field for password confirmation. There are two checkboxes for terms and conditions, and a 'REGISTRARME' button at the bottom right. The page header includes navigation links: BICICLETAS, eBikes, PERSONALIZAM, EQUIPAMIENTO, HISTORIAS.

### 2. REGISTRA IL TUO CODICE A BARRE

The screenshot shows the 'REGISTRO DE GARANTÍA' form. It includes fields for 'MATRÍCULA\*' (license plate) and 'FECHA DE COMPRA\*' (purchase date). There are two dropdown menus for 'NIVEL DE SATISFACCIÓN' (satisfaction level) and checkboxes for terms and conditions. A 'REGISTRAR MATRÍCULA' button is at the bottom.

### 3. DOVE TROVARE IL CODICE A BARRE



## GARANZIA SUI COMPONENTI DEL SISTEMA DI SERVOASSISTENZA ELETTRICA

### COMPONENTI SHIMANO STEPS

I componenti del sistema elettrico Shimano STEPS (motore, sensore di velocità, comando di variazione del livello di servoassistenza, display e cablaggio Di2), sono coperti da una garanzia legale di 3 anni a decorrere dalla data di acquisto dell'articolo o della bici, o per il periodo stabilito come garanzia legale nel Paese di acquisto.

Tutte le richieste di prestazioni coperte da garanzia dovranno essere gestite tramite Shimano o tramite uno dei rivenditori autorizzati dal marchio.

### COMPONENTI ESCLUSIVI ORBEA RS

I componenti del sistema elettrico RS esclusivi Orbea (batteria interna, Range Extender, cablaggio di collegamento della batteria, motore e porta di ricarica) sono coperti da una garanzia legale per un periodo di 3 anni a decorrere dal momento dell'acquisto dell'articolo o della bici, o per il periodo stabilito come periodo di garanzia legale nel Paese di acquisto.

Tutte le richieste di prestazioni coperte da garanzia dovranno essere gestite con Orbea tramite uno dei nostri rivenditori autorizzati.

Queste garanzie coprono tutti i prodotti Shimano e Orbea da difetti di fabbricazione e/o mancanza di conformità e garantiscono la riparazione o la sostituzione del prodotto difettoso senza costi aggiuntivi per il cliente.

La presente garanzia non coprirà in alcun caso i danni derivanti da uso improprio, cadute o incidenti, installazione errata o mancata manutenzione o mancata osservanza delle istruzioni d'uso, di stoccaggio, di ricarica o di altro tipo contenute nel presente manuale.

La riduzione di capacità delle batterie RS (batteria interna e Range Extender) dovuta all'invecchiamento naturale delle batterie a seguito di uso, ricarica e stoccaggio non è coperta dalle condizioni della presente garanzia.

## PROCEDURA PER LE RICHIESTE DI PRESTAZIONI COPERTE DA GARANZIA

Tutte le richieste di prestazioni coperte da garanzia dovranno essere presentate tramite un rivenditore autorizzato Orbea che effettuerà la diagnosi iniziale e invierà a Orbea, a Shimano o al produttore dei componenti in oggetto tutta la documentazione necessaria per un esame completo della richiesta in questione. Il rivenditore informerà il proprietario sullo stato della procedura e sulla decisione di Orbea, di Shimano o del produttore del componente in merito alla richiesta di prestazioni coperte da garanzia.

## RICHIESTE DI PRESTAZIONI IN GARANZIA E RIPARAZIONI DEI COMPONENTI DEL SISTEMA DI SERVOASSISTENZA ELETTRICA

**SHIMANO:** Le richieste di prestazioni e riparazioni coperte da garanzia per i seguenti componenti del sistema a pedalata assistita dovranno essere presentate tramite Shimano:

- Motori Shimano EP801 RS e EP6 RS.
- Sensore di velocità.
- Cablaggio specifico STEPS/Di2.
- Comando livello servoassistenza SW-EN600-L.
- Display SC-EN600

**ORBEA:** Le richieste di prestazioni coperte da garanzia per i seguenti componenti del sistema elettrico dovranno essere presentate tramite Orbea:

- Batteria esterna Range Extender 210 Wh Gen2.
- Batterie interne Orbea Ebike System 540Wh Gen2/630 Wh Gen2/420 Wh Gen2.
- Cablaggio per il collegamento alla batteria interna, al motore e alla porta di ricarica Gen 2.
- Caricabatterie Smart Charger RS Gen2.

Per effettuare una richiesta di prestazioni coperte da garanzia, consigliamo di rivolgersi sempre al rivenditore presso il quale è stata acquistata la bicicletta, oppure al rivenditore scelto durante la procedura di acquisto della bici che è stata consegnata direttamente a casa. Se non è possibile rivolgersi al rivenditore originale, verificare l'elenco dei rivenditori autorizzati sul nostro sito internet o contattare Orbea direttamente, per farsi indicare il rivenditore competente.

[www.orbea.com/gb-en/distribuidores/?country](http://www.orbea.com/gb-en/distribuidores/?country)

[www.orbea.com/gb-en/contact/](http://www.orbea.com/gb-en/contact/)

## 04 MANUTENZIONE

I prodotti Orbea sono attentamente progettati per essere duraturi, efficienti e di facile manutenzione. I telai e le forcelle in carbonio e alluminio sono estremamente resistenti alla corrosione.

Tuttavia, la bicicletta necessita di manutenzione regolare dei componenti per poter funzionare adeguatamente e in modo sicuro, e per garantirne la longevità.

### MANTENERE PULITA LA BICICLETTA

Pulire regolarmente la bicicletta con acqua e sapone delicato per mantenerla in perfetto stato di funzionamento, e verificare le condizioni del telaio e dei suoi componenti. Non utilizzare getti d'acqua ad alta pressione, in quanto potrebbero danneggiare componenti come i cuscinetti o i tubi del telaio.

Gli sgrassatori a base di agrumi sono biodegradabili e molto efficaci per rimuovere il grasso dalla trasmissione e dalla catena.



La sporcizia accumulata può ostacolare l'ispezione visiva dei componenti e nascondere danni che potrebbero causare potenziali malfunzionamenti o incidenti.

#### AVVISO

Lo sporco accumulato causa l'usura prematura dei componenti e può anche danneggiare il telaio della bici in aree come le sedi dei cuscinetti e le parti mobili. La garanzia non copre i danni dovuti a mancata pulizia e manutenzione.

### LUBRIFICARE LA TRASMISSIONE

Una volta pulita la bicicletta, occorre lubrificare la trasmissione, e in particolare la catena. Utilizzare la quantità minima necessaria per lubrificare le maglie, rimuovendo eventuali quantità in eccesso per evitare che il lubrificante trattenga lo sporco causando malfunzionamenti della trasmissione, e per evitare l'usura prematura dei componenti.



Non utilizzare lubrificanti spray per evitare che aderiscano alle superfici frenanti. Dopo aver lubrificato la trasmissione, controllare sempre i freni.

### ISPEZIONARE LA BICI PRIMA DI OGNI UTILIZZO

Eseguire una rapida ispezione prima di ogni utilizzo, per verificare che la bici sia in condizioni ottimali di funzionamento. Potrebbero risultare evidenti piccoli problemi che potrebbero causare incidenti gravi lungo il percorso.

**TELAIO:** Ispezionare il telaio e la forcella, cercando crepe o altri tipi di danni. La bici non deve produrre rumori insoliti. In caso di danni al telaio, evitare di usare la bicicletta e contattare il proprio rivenditore autorizzato per una verifica.

**CATENA:** verificare che sia pulita e lubrificata. La trasmissione non deve produrre rumori anomali.

**FRENI:** verificare che i freni funzionino adeguatamente e in modo sicuro. v Verificare le coppie di serraggio dei componenti.

**PNEUMATICI:** verificare l'usura degli pneumatici e l'assenza di tagli sul battistrada o sulla spalla. In presenza di danni, sostituire gli pneumatici. Verificare che la pressione degli pneumatici sia adeguata.

**RUOTE:** assicurarsi che le ruote girino senza problemi e che non vi siano deviazioni laterali. Muovere la ruota leggermente da lato a lato per verificare che non ci sia gioco laterale nei cuscinetti. Controllare che non vi siano raggi rotti o allentati. Verificare che gli assi e gli assi passanti a sgancio rapido siano ben fissati con la coppia di serraggio corretta.

**SERIE STERZO:** azionare il freno anteriore e muovere la parte anteriore della bicicletta avanti e indietro, applicando pressione sul manubrio e mantenendo la ruota anteriore sul terreno. Verificare che la serie sterzo non produca rumori o movimenti inusuali, che potrebbero indicare che i cuscinetti sono usurati o che la serie sterzo non è stata serrata nel modo adeguato. Una volta regolata correttamente la serie sterzo, verificare che giri senza problemi.

**PUNTI DI ARTICOLAZIONE DEL FORCELLONE:** Sulle bici biammortizzate, verificare che tutti i punti di articolazione del forcellone ruotino in modo fluido e non mostrino segni di gioco nei cuscinetti. Tirare il forcellone da un lato all'altro della bicicletta, verificando l'assenza di rumori o gioco in corrispondenza dei punti di giunzione. Se il forcellone non funziona in modo fluido o mostra segni di gioco, questo potrebbe segnalare che le coppie di serraggio non sono corrette o che i cuscinetti sono usurati o danneggiati.

**CUSCINETTI:** i cuscinetti (movimento centrale, punti di articolazione dei leveraggi, serie sterzo, ruote, ecc.) sono elementi soggetti ad usura che devono essere ispezionati regolarmente per garantirne il corretto funzionamento. I cuscinetti in cattive condizioni possono danneggiare i componenti nei quali sono installati. Le condizioni meteo difficili accelerano l'usura dei cuscinetti. I cuscinetti che hanno gioco eccessivo o che non girano in modo fluido devono essere immediatamente sostituiti. In caso di dubbi, rivolgersi al proprio rivenditore autorizzato.

#### AVVISO

I danni ai componenti come telaio, ruote, ecc., associati alla mancanza di manutenzione e alla mancata sostituzione dei cuscinetti, non sono coperti dalla garanzia.

**SISTEMA ELETTRICO:** Accendere la bicicletta e verificare che l'impianto elettrico funzioni correttamente. Verificare che la servoassistenza elettrica sia erogata e che tutti i componenti



funzionino (motore, display, cambio modalità di servoassistenza e sensore di velocità).

Se la servoassistenza elettrica non funziona, controllare tutti i collegamenti tra i componenti e il loro stato, unitamente a quello dei cavi (i cavi o i componenti che mostrano danneggiamenti dovranno essere sostituiti).

Verificare la presenza di eventuali malfunzionamenti nel sistema elettrico. Il display Shimano SC-EN600 visualizzerà il codice errore, se presente. L'interruttore SW-EN600-L visualizzerà un errore di sistema con un LED rosso lampeggiante basso. Collegare la bici all'app Shimano Etube per individuare il codice errore.

Una volta noto il codice di errore, seguire le indicazioni dell'applicazione per la risoluzione dell'errore o consultare il manuale d'uso del sistema Shimano STEPS. Se il malfunzionamento dell'impianto elettrico permane dopo aver applicato il metodo descritto, o se non vi è alcun metodo risolutivo disponibile, affida la bici a un rivenditore autorizzato per la diagnosi e la riparazione.

Consultare l'elenco dei codici di errore e degli avvisi del sistema Shimano STEPS e i relativi metodi di risoluzione al seguente link:

<https://si.shimano.com/es/error>



Il mancato rispetto delle raccomandazioni riportate nel presente manuale e l'uso di una bicicletta che evidenzia qualsiasi dei sintomi descritti qui di sopra potrebbero causare incidenti e lesioni gravi.



**COPPIE DI SERRAGGIO.** Verificare sempre le coppie di serraggio e montare i componenti descritti in questo manuale secondo le specifiche indicate per la coppia di serraggio. Attenersi alle specifiche della coppia di serraggio per i componenti di altri produttori montati sulla bici Orbea. Il mancato rispetto di queste specifiche potrebbe portare al malfunzionamento dei componenti e a incidenti, potenzialmente letali.

## INTERVALLI DI MANUTENZIONE

### AVVISO

Gli intervalli di manutenzione dei componenti riportati di seguito sono indicativi, e dipendono in gran parte da fattori quali le condizioni meteo in cui si usa la bicicletta (le condizioni avverse riducono notevolmente la durata dei componenti e richiedono una manutenzione più frequente), la pulizia della bicicletta e dei suoi componenti (i componenti con sporco accumulato si usurano più velocemente), e l'uso (un uso più impegnativo della bicicletta richiede intervalli di manutenzione più brevi).

Per i componenti di altri marchi montati sulle biciclette Orbea, è possibile verificare il programma di manutenzione consigliato o obbligatorio sul sito internet del produttore o contattando il rivenditore di tale marchio nel proprio paese.

### AVVISO

I danni ai componenti derivanti dal mancato rispetto degli intervalli di manutenzione consigliati potrebbero a loro volta provocare danni non coperti dalla garanzia di Orbea o del produttore del componente in oggetto.



Il mancato rispetto del programma di manutenzione potrebbe provocare danni ai componenti e causare malfunzionamenti e incidenti.

### SERIE STERZO:

- Verifica del funzionamento prima di ogni utilizzo.
- Smontaggio manuale e ispezione dei cuscinetti una volta ogni 6 mesi di utilizzo.

### MOVIMENTO CENTRALE:

- Verifica del funzionamento prima di ogni utilizzo.
- Smontaggio manuale e ispezione dei cuscinetti una volta ogni 6 mesi di utilizzo.

### TRASMISSIONE:

- Verifica del funzionamento prima di ogni utilizzo.
- Verifica regolare dell'usura della catena ogni 500 km. Una catena usurata oltre i limiti consigliati dal produttore deve essere sostituita, per prevenire danni al resto dei componenti della trasmissione. Il mancato rispetto delle raccomandazioni del produttore relative all'usura potrebbe portare alla necessità di sostituire il resto dei componenti della trasmissione.

### RUOTE:

- Verifica del funzionamento prima di ogni utilizzo.
- Smontaggio manuale e ispezione dei cuscinetti una volta ogni 4-6 mesi di utilizzo.

**AMMORTIZZATORI E FORCELLE AMMORTIZZATE:**

- Verifica del funzionamento prima di ogni utilizzo.
- Ispezione e manutenzione completa dopo 125 ore o un anno di utilizzo (a seconda di quale delle due condizioni si verificano per prima), a cura del rivenditore autorizzato dal produttore.

**REGGISELLA TELESCOPICI:**

- Verifica del funzionamento prima di ogni utilizzo.
- Ispezione e manutenzione completa dopo 125 ore o un anno di utilizzo (a seconda di quale delle due condizioni si verificano per prima), a cura del rivenditore autorizzato dal produttore.

**PUNTI DI ARTICOLAZIONE SUI TELAI BIAMMORTIZZATI:**

- Verifica del funzionamento prima di ogni utilizzo.
- Smontaggio del telaio e ispezione manuale di tutti i cuscinetti raggiunte le 125 ore o dopo un anno di utilizzo (a seconda di quale delle due condizioni si verificano per prima). Questi intervalli possono essere più brevi a seconda delle condizioni di utilizzo della bici. Un uso più impegnativo della bicicletta o un uso in condizioni meteo avverse o in presenza di fango richiede lo smontaggio e l'ispezione del telaio dopo 75 ore o 6 mesi di utilizzo (a seconda di quale delle due condizioni si verificano per prima). Se un cuscinetto non gira in modo fluido o ha un gioco eccessivo, deve essere immediatamente sostituito.

**CAVI E GUAINA DEL CAMBIO:**

- Verifica del funzionamento prima di ogni utilizzo.
- Sostituzione dei cavi del cambio ogni 6 mesi o una volta l'anno, a seconda delle condizioni d'uso della bici.

**FRENI:**

- Verifica del funzionamento e dell'usura delle pastiglie o dei pattini dei freni prima di ogni utilizzo.
- Verifica dell'usura dei freni a disco e dei cavi o dei tubi idraulici ogni 6 mesi o una volta all'anno, a seconda delle condizioni in cui si utilizza la bicicletta. Spurgo dei tubi idraulici una volta l'anno.

**COMPONENTI DEL SISTEMA DI SERVOASSISTENZA ELETTRICA:**

Verificare regolarmente i collegamenti e i cavi dei componenti del sistema di servoassistenza elettrica della bici. I collegamenti devono essere puliti ed esenti da corpi estranei. I cavi devono essere in buone condizioni e non devono presentare tagli o curve e pieghe che potrebbero causare cortocircuiti e interruzioni della servoassistenza elettrica.

Gli elementi esterni dei componenti, come i telecomandi e le batterie, non devono presentare danni che potrebbero consentire la penetrazione di acqua o corpi estranei.

In caso di danni a qualsiasi componente elettrico, rivolgersi al rivenditore Orbea per la diagnosi e/o la sostituzione.

**AVVISO**

Consultare la sezione del presente manuale sulle avvertenze sull'uso del sistema di servoassistenza elettrica per istruzioni sul modo in cui eseguire la corretta manutenzione dei suoi componenti.

**AGGIORNAMENTI DEL SISTEMA ELETTRICO:**

I sistemi di servoassistenza elettrica per ebike sono soggetti a miglioramenti o aggiornamenti che ne ottimizzano il funzionamento. Alcuni aggiornamenti del sistema Shimano STEPS vengono effettuati tramite Bluetooth® quando la bici è collegata all'applicazione per smartphone Etube Project Cyclist.

**AVVISO**

Durante l'aggiornamento del sistema via Bluetooth® mediante l'app per dispositivi mobili Etube Project, consigliamo di disabilitare tutte le connessioni Wifi e di rete sul proprio cellulare, per evitare che una chiamata o un messaggio in entrata possano interrompere l'aggiornamento. Qualora l'aggiornamento venga interrotto e ciò provochi un malfunzionamento del sistema, affidare la bici a un rivenditore autorizzato Orbea per completarlo con l'interfaccia Shimano SM-PCE02 del rivenditore.

Il manuale dell'applicazione Shimano Etube Project Cyclist può essere consultato qui:

<https://si.shimano.com/es/um/7J4MA>

Potrebbe essere necessario far effettuare altri aggiornamenti da un rivenditore autorizzato. Ricordare al rivenditore di verificare gli aggiornamenti disponibili quando la bici gli viene affidata per riparazioni o manutenzione.



Alcune di queste operazioni di verifica e manutenzione vanno al di là delle conoscenze di meccanica della maggior parte dei ciclisti. Se non si è qualificati per eseguire la manutenzione necessaria, recarsi sempre presso un rivenditore Orbea per effettuare la manutenzione della bicicletta e dei suoi componenti. La mancanza di manutenzione adeguata può provocare malfunzionamenti e incidenti con gravi conseguenze.

**AVVISO**

La manutenzione non correttamente eseguita può danneggiare i componenti che non sono coperti dalle condizioni di garanzia.

**RICAMBI**

Utilizzare sempre ricambi originali Orbea o i ricambi del produttore del componente in questione.



L'uso di ricambi non originali può causare danni e provocare guasti e incidenti con gravi conseguenze.



L'installazione di molte parti di ricambio contemplata in questo manuale tecnico va oltre le conoscenze di meccanica della maggior parte dei ciclisti. Se non si è qualificati per l'installazione di queste parti, recarsi presso un rivenditore Orbea per effettuare la manutenzione della bici. Una non adeguata installazione dei ricambi può provocare malfunzionamenti, incidenti e lesioni gravi.

#### AVVISO

L'installazione di ricambi non originali può causare danni alle ruote che non sono coperti dalla garanzia.

Consultare il catalogo completo dei ricambi Orbea su nostro sito internet:

[www.orbea.com/gb-en/gear/spare-parts/](http://www.orbea.com/gb-en/gear/spare-parts/)

## DOPO UN INCIDENTE O UN IMPATTO

Le cadute fanno parte del ciclismo. Se si incorre in un incidente con la propria bicicletta Orbea, assicurarsi di stare bene e richiedere assistenza medica, se necessario. Se non si riscontrano lesioni, prima di proseguire, verificare le condizioni della bicicletta.

### ISPEZIONARE IL TELAIO E I COMPONENTI DELLA BICICLETTA PER VERIFICARE CHE NON VI SIANO DANNI.

In presenza di qualsiasi problema, interrompere l'uso della bici.

#### PUNTI DA VERIFICARE

Ispezionare il telaio e la forcella alla ricerca di eventuali rotture o curvature di questi componenti. In presenza di danni o crepe, occorre interrompere immediatamente l'uso della bicicletta. Per i telai in carbonio, verificare l'assenza di crepe o aree indebolite nel carbonio. In presenza di uno qualsiasi di questi segnali, interrompere immediatamente l'utilizzo della bicicletta.



I materiali utilizzati sui telai e le forcelle in carbonio sono rigidi e resistenti, ma se vengono sovraccaricati o se subiscono un impatto, le fibre non si piegano e tendono a spezzarsi. Un impatto sufficientemente forte su questo materiale potrebbe provocare danni che, pur non essendo evidenti a un primo esame visivo, potrebbero portare a un cedimento dei materiali in futuro. In caso di dubbi sulle conseguenze di una caduta o di un incidente, contattare il distributore Orbea per una corretta diagnosi dei materiali.

Ispezionare la trasmissione e le ruote per verificare che i componenti funzionino correttamente. In presenza di danni di qualsiasi tipo ai componenti, interrompere immediatamente l'utilizzo della bicicletta.

Anche in assenza di danni, prestare particolare attenzione ai rumori prodotti dalla bicicletta quando se ne riprende l'uso. Danneggiamenti e altri problemi possono determinare rumori insoliti. In presenza di qualsiasi rumore non abituale, interrompere immediatamente l'utilizzo della bicicletta e contattare il proprio rivenditore Orbea per una corretta diagnosi del problema.

### AFFIDARE LA BICICLETTA ORBEA A UN RIVENDITORE AUTORIZZATO PER UN'ISPEZIONE PROFESSIONALE

Alcune delle conseguenze di una caduta o di un incidente possono essere rilevate unicamente smontando completamente la bicicletta alla ricerca di crepe o altri segni di deterioramento.



Una collisione o un impatto possono provocare seri danni alla bicicletta e ai suoi componenti, causandone il malfunzionamento o l'usura prematura. I guasti possono verificarsi improvvisamente e senza preavviso, causando la perdita di controllo della bicicletta e lesioni potenzialmente gravi, o addirittura letali.

## 05 AVVERTENZE PER L'UTILIZZO DELLA RISE

### LARGHEZZA MASSIMA DEGLI PNEUMATICI

Il presente manuale tecnico specifica le dimensioni massime degli pneumatici che possono essere montati sul telaio. Rispetta sempre queste linee guida quando monti gli pneumatici sulla tua bicicletta.

Consulta la larghezza massima degli pneumatici consentita nella tabella delle specifiche tecniche di questo manuale.

Le misure esterne dei diversi pneumatici possono risultare diverse indipendentemente dalla misura indicata dal produttore. La tolleranza radiale tra la parte più esterna dello pneumatico e il tubo piantone e la parte inferiore dei foderi deve essere di almeno 6 mm. La tolleranza radiale tra la parte più esterna dello pneumatico e la parte inferiore della testa della forcella e i foderi della forcella deve essere di almeno 6 a 8 mm.

Verificare anche la larghezza massima e minima degli pneumatici che possono essere montati su un determinato cerchio a seconda della sua larghezza interna. Verificare i dati sulla compatibilità nella documentazione del produttore:

#### AVVISO

I danni al telaio o ai componenti dovuti all'uso di uno pneumatico che non rispetti queste misure non sono coperti dalla garanzia.

### INSERIMENTO MINIMO DEL REGGISELLA



Attenersi sempre alle indicazioni fornite per l'inserimento minimo previsto per il reggisella utilizzato o per il telaio sulle bici da gara con reggisella esclusivi Orbea.

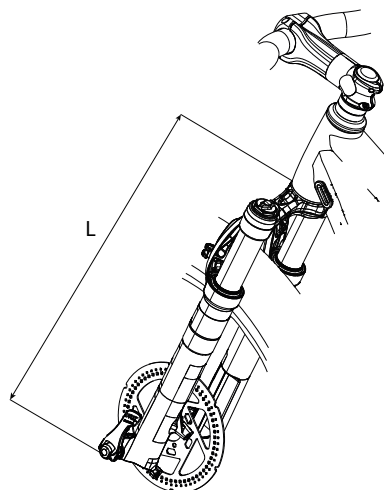
Il mancato rispetto di questi valori potrebbe sollecitare i materiali oltre le condizioni per le quali sono stati progettati e provocare guasti non coperti dalla garanzia, oltre ad incidenti che possono causare lesioni gravi.

### LUNGHEZZA MASSIMA DELLA FORCELLA (DALL'ASSE ALLA CORONA)

Rispettare sempre la lunghezza massima della forcella indicata nelle specifiche tecniche del presente manuale. La lunghezza massima della forcella si riferisce alla distanza tra l'asse della forcella e la parte inferiore del tubo sterzo (dall'asse alla corona).



Il mancato rispetto di questo requisito e l'installazione di forcelle di lunghezza maggiore rispetto alle specifiche potrebbe forzare il telaio oltre le caratteristiche di progettazione e causare malfunzionamenti dei materiali che potrebbero provocare a loro volta incidenti e lesioni gravi.



### NUMERO MASSIMO DI DISTANZIALI PER LA SERIE STERZO



Non utilizzare mai un numero di distanziali della serie sterzo sotto l'attacco manubrio superiore rispetto a quelli specificati per il telaio. Consultare le tabelle delle specifiche per verificare il numero massimo di distanziali della serie sterzo consentito su un telaio Orbea. Montare più distanziali di quelli consentiti può sollecitare i materiali oltre l'uso per il quale sono stati progettati, causando incidenti e lesioni gravi.

Verificare anche il numero massimo di distanziali consentiti sotto la serie sterzo nella tabella delle specifiche.



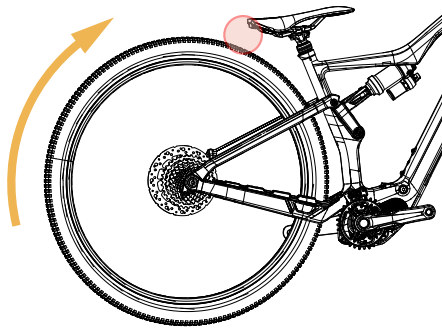
La lunghezza del canotto della forcella deve essere sempre adeguata alla posizione dell'attacco manubrio nella forcella. L'attacco manubrio deve essere sempre installato nel canotto della forcella in modo che entrambi i bulloni di fissaggio sul retro dell'attacco manubrio siano posizionati sulla superficie del canotto della forcella. Non montare mai l'attacco manubrio in modo tale che il bullone superiore che lo fissa al tubo di sterzo risulti più alto del margine superiore del canotto sterzo della forcella. Questo forzerebbe i materiali oltre la loro destinazione d'uso, e potrebbe causare incidenti con lesioni gravi.

Per consentire il corretto precarico della serie sterzo, la distanza tra la parte superiore del canotto forcella e la superficie di installazione del tappo di precarico dell'attacco manubrio dovrà essere di almeno 3 mm.

## DISTANZA MINIMA TRA RUOTA E SELLA ALLA MASSIMA COMPRESSIONE



La distanza minima tra il margine posteriore della sella e la ruota posteriore, quando il forcellone è nella posizione di massima compressione dell'ammortizzatore e il reggisella è nella posizione più bassa, deve essere di almeno 25 mm. Se questa distanza non viene rispettata, la ruota posteriore può entrare in contatto con la sella, causando il bloccaggio della ruota posteriore e provocando incidenti con lesioni potenzialmente gravi. I danni ai componenti causati dalla mancata osservanza di questa indicazione non sono coperti dalle condizioni di garanzia.



## USO PREVISTO

L'uso previsto per tutti i modelli è la condizione ASTM 4, che prevede anche l'utilizzo nelle condizioni 1, 2 e 3, nonché su percorsi tecnici nella natura con numerosi ostacoli, con pendenze maggiori e quindi velocità più elevate. Frequenti salti e drop di difficoltà moderata.

Questi modelli, per via del terreno affrontato, devono essere ispezionati dopo ogni utilizzo. L'utilizzo su questo tipo di terreno richiede competenze tecniche e può comportare lesioni per i principianti.

Per tutte le categorie ASTM, consultare il Manuale d'Uso.



# 06 AVVERTENZE SULL'USO DEL SISTEMA DI SERVOASSISTENZA ELETTRICA

## ATTENERSI SEMPRE ALLE ISTRUZIONI PER L'USO DEI COMPONENTI ELETTRICI E DELLE BATTERIE

### AVVISO

Per ulteriori informazioni utili sull'uso, la manutenzione e la risoluzione dei problemi della batteria interna e del Range Extender, consultare la sezione "Informazioni importanti sulle batterie Orbea".



Non utilizzare sistemi di terzi (non Shimano e non Orbea) per modificare o delimitare i parametri della servoassistenza erogata dall'impianto elettrico. Così facendo, si potrebbero danneggiare i componenti della bici (sistema meccanico e sistema di servoassistenza elettrico) e causare incidenti, anche mortali. Si potrebbe anche creare un rischio di incendi. Le modifiche non autorizzate o non previste dalla documentazione del produttore potrebbero invalidare la copertura della garanzia per tutti i componenti.

- Non lavare la bicicletta con getti di acqua ad alta pressione e non immergere in acqua i componenti del sistema elettrico o la bici. Tutti i componenti elettrici sono protetti da pioggia e schizzi. Tuttavia, l'uso di getti d'acqua ad alta pressione può comunque danneggiare i componenti e causare cortocircuiti.
- Evitare di usare la bici in condizioni meteo estreme. Tutti i componenti elettrici sono protetti da pioggia e schizzi. Tuttavia, condizioni meteo estreme potrebbero danneggiare comunque i componenti.
- Evitare di trasportare la bicicletta all'esterno del veicolo in caso di pioggia. Tutti i componenti elettrici sono protetti da pioggia e schizzi. Le velocità raggiunte dal veicolo potrebbero comunque accentuare gli effetti della pioggia sui componenti elettrici.

Se si intende trasportare la bicicletta all'esterno dell'auto, rimuovere il Range Extender e verificare che lo sportellino della porta di carica sia chiuso nel modo corretto.

- Non lasciare la bicicletta o la batteria esposte ad alte temperature per lunghi periodi di tempo. Le temperature elevate potrebbero danneggiare i componenti elettrici. Temperature superiori ai 70°C potrebbero causare perdite e rischi di incendio.
- Rispettare gli intervalli di temperatura per l'utilizzo (scarica), la ricarica e lo stoccaggio della batteria (batteria interna) e del Range Extender. L'uso, la ricarica o lo stoccaggio delle batterie al di fuori di questi intervalli di temperatura potrebbero danneggiare le celle e ridurre la vita utile e l'autonomia.

- La seguente tabella delle temperature indica i limiti massimi di utilizzo, ricarica e conservazione forniti dal produttore delle celle.

In linea generale, l'utilizzo, la ricarica e lo stoccaggio delle batterie a temperature inferiori a 0°C riducono l'autonomia per ciascuna ricarica e l'utilizzo continuo in queste condizioni può influire sulla vita utile della batteria.

### INTERVALLI TEMPERATURA D'ESERCIZIO

Ricarica	0°C-40°C
Scarica (Uso)	-10°C — 40°C
Stoccaggio	0°C - 35°C. Umidità 5%-65%

- Non lasciare la bicicletta (batteria interna) o il Range Extender inutilizzati per lunghi periodi senza controllare i livelli di carica.

Se si prevede di lasciare la batteria inutilizzata per un lungo periodo di tempo, ricaricarla fino al 50% della sua capacità e verificare il livello di carica ogni 3 mesi (ricaricare fino al 50%). Per evitare danni alle celle, non lasciare mai che il livello di carica scenda sotto il 10%.

**USO DELLA BATTERIA SOTTO IL LIVELLO DI CARICA DEL 10%:** evitare di scaricare regolarmente la batteria arrivando sotto il 10% di carica. Livelli di carica inferiori al 10% possono compromettere la longevità delle celle e il bilanciamento della carica.

- Evitare di lasciare il caricabatterie costantemente collegato alla batteria per lunghi periodi di tempo e controllare il processo di ricarica per poter scollegare il caricabatterie in caso di anomalie quali fumo, odore di bruciato o fiamme.

Il caricabatterie RS smart charger è progettato per interrompere il processo di ricarica quando la batteria è completamente carica. In questo modo si eviteranno possibili danni alle celle e sarà possibile caricare la batteria senza inconvenienti. Tuttavia, è sempre consigliabile supervisionare il processo di ricarica per evitare danni se il caricabatterie non dovesse funzionare correttamente.

- Evitare che la batteria interna e il Range Extender siano assoggettati a urti e cadute.

Se in seguito a una caduta o a un urto l'involucro esterno della batteria apparisse danneggiato, non ricaricare o utilizzare la batteria e contattare il rivenditore autorizzato per la diagnosi.

- Collegare sempre in cavi nel modo adeguato. Collegare i cavi senza accertarsi che siano posizionati correttamente può danneggiare i connettori.
- Prima di ogni utilizzo, verificare che la porta di ricarica sia chiusa correttamente, per evitare che sporco e acqua possano infiltrarsi.

In presenza di sporcizia o corpi estranei, non utilizzare utensili metallici per pulire il punto di ricarica.

Non danneggiare i connettori della porta di ricarica durante questa procedura.

**AVVISO**

Per ulteriori informazioni utili sull'uso, la manutenzione e la risoluzione dei problemi della batteria interna e del Range Extender, consultare la sezione "Informazioni importanti sulle batterie Orbea".

Consultare la documentazione Shimano sul sistema STEPS EP801/EP6 e sui suoi componenti:

Manuale dell'utente:

<https://si.shimano.com/es/um/7K70A>

Manuale per il rivenditore:

<https://si.shimano.com/es/dm/DUE001>

## ULTERIORI INFORMAZIONI IMPORTANTI SULLE BATTERIE AGLI IONI DI LITIO ORBEA EBIKE SYSTEM



Per la massima sicurezza, prima di utilizzare le batterie e i caricabatterie Orbea Ebike System, leggere l'intero Manuale Utente.



Per informazioni sull'installazione e la regolazione dei prodotti non contenute nel Manuale dell'Utente, rivolgersi a Orbea o a un rivenditore autorizzato. Le istruzioni riportate di seguito devono essere seguite sempre, per evitare lesioni o danni all'equipaggiamento e all'ambiente. Le informazioni contenute nel presente manuale si riferiscono sia alla batteria interna RS sia al Range Extender.

### AVVERTENZA COMPATIBILITÀ. COMPONENTI SISTEMA ELETTRICO GEN2

I componenti Orbea Ebike Systems Gen2 sono progettati per garantire la compatibilità con i motori Shimano EP6 ed EP801 e con i componenti Gen2. Le batterie interne e il Range Extender e lo Smart Charger sono contrassegnati dal marchio Gen2 per identificarne la compatibilità con questi sistemi.

### ISTRUZIONI E AVVERTENZE RIGUARDANTI LA SICUREZZA DELLE BATTERIE

- Per ricaricare la batteria, utilizzare unicamente il caricabatterie Gen2 specifico e rispettare le condizioni di ricarica indicate. In caso contrario, la batteria potrebbe surriscaldarsi, esplodere o incendiarsi.
- Non lasciare la batteria vicino a fonti di calore come caloriferi, veicoli o qualsiasi luogo pericoloso.
- Non scaldare la batteria e non gettarla nel fuoco.
- Non deformare, modificare o smontare la batteria e non effettuare saldature direttamente su di essa.

- Non collegare i terminali (+) e (-) e altri terminali a oggetti metallici. Non trasportare o stoccare la batteria insieme a oggetti metallici come collane o forcine per capelli. Ciò potrebbe provocare cortocircuiti, surriscaldamento, ustioni o altre lesioni.
- Non immergere la batteria in acqua, ed evitare che i terminali della batteria si bagnino. In caso contrario, la batteria potrebbe surriscaldarsi, esplodere o incendiarsi.
- Non forare o schiacciare la batteria.
- Se la batteria perde e il liquido viene a contatto con occhi, pelle o indumenti, sciacquare immediatamente le zone interessate con abbondante acqua e rivolgersi immediatamente a un medico. Il liquido della batteria può causare lesioni agli occhi e alla pelle.
- Se la batteria non dovesse caricarsi completamente entro il tempo di ricarica previsto (consultare la sezione Specifiche tecniche dei componenti dell'impianto elettrico) più 2 ore aggiuntive, scollegare la batteria dal caricabatterie e rivolgersi immediatamente a un rivenditore autorizzato.
- Non utilizzare la batteria se presenta danni esterni.
- Non utilizzare la batteria se presenta perdite, scolorimenti, deformazioni o altre anomalie.
- Non ricaricare la batteria in presenza di acqua o forte umidità, o all'aperto.
- Non collegare o scollegare la batteria se è bagnata. Ciò potrebbe provocare una scossa elettrica. Se l'acqua fuoriesce dal connettore, asciugare accuratamente prima del collegamento.
- Non conservare la batteria esposta alla luce diretta del sole o in luoghi (come l'interno delle automobili) dove il calore può diventare eccessivo. Tenere lontano da fonti di calore e fiamme libere. Queste situazioni potrebbero causare perdite della batteria.
- Per evitare danni e lesioni, usare entrambe le mani per maneggiare le batterie.
- Se si verifica un errore durante la carica o la scarica, interrompere immediatamente l'uso della batteria e consultare il manuale dell'utente. In caso di dubbi, consultare Orbea o un rivenditore autorizzato.
- Non pulire la batteria con getti d'acqua ad alta pressione.
- Non usare alcool, solventi o detersivi abrasivi per pulire la batteria o il caricabatterie. Utilizzare un panno asciutto o leggermente umido.
- I bambini dovranno essere sorvegliati per verificare che non giochino con la batteria e il caricabatterie.
- Se la batteria dovesse esplodere, contattare immediatamente i vigili del fuoco e, se possibile, rimuovere con cautela le altre batterie. Allontanare immediatamente tutti i presenti dall'area dell'incendio e utilizzare abbondante acqua fredda (almeno 10 volte il peso della batteria) per spegnere l'incendio.

### CONDIZIONI PER LO STOCCAGGIO DELLE BATTERIE

- Conservare le batterie in un luogo sicuro, fuori dalla portata di bambini e animali domestici.

- Conservare le batterie a temperature che non rientrano in questo intervallo può provocare incendi o danni alla batteria.
- **Intervallo temperature di stoccaggio: 0°C ~35°C. Evitare grandi sbalzi di temperatura. Umidità: 5%-65%.**
- Se non si intende utilizzare la batteria per un lungo periodo di tempo, riporla con circa il 50% di carica residua. Ricaricare la batteria ogni 3 mesi fino al 50%, per evitare di danneggiarla.
- Conservare la batteria o le biciclette dotate di batteria in ambienti freschi e chiusi (circa 0°C~35°C) e non esposti alla luce diretta del sole o alla pioggia. Temperature di stoccaggio basse o elevate riducono le prestazioni della batteria e l'autonomia per ciascuna carica può di conseguenza diminuire. Se la batteria non viene utilizzata per un certo periodo di tempo, è necessario caricarla prima dell'uso.
- Temperature superiori ai 70°C potrebbero causare perdite e rischi di incendio.

### **CONDIZIONI PER L'USO DELLE BATTERIE**

- Gli intervalli delle temperature di esercizio delle batterie sono indicati qui di seguito. Non utilizzare le batterie a temperature al di fuori di questi intervalli.
- L'utilizzo di una batteria a temperature diverse da quelle indicate può causare incendi, lesioni o danni.
- **Utilizzare la batteria solo all'interno dell'intervallo di temperatura per la fase di scarico: -10°C ~ 40°C.**
- **Caricare la batteria solo all'interno dell'intervallo di temperatura previsto per la ricarica: 0°C ~ 40°C.**
- La batteria deve essere caricata a temperatura ambiente, su una superficie asciutta e non infiammabile, lontano da qualsiasi fonte di calore, umidità o materiali infiammabili.
- Se la batteria è stata caricata in un ambiente a bassa temperatura (0 °C o inferiore), l'autonomia disponibile per ciascuna ricarica completa diminuirà.
- Se si desidera trasportare le batterie, occorre ricordare che sono considerate articoli pericolosi ai sensi delle norme vigenti. Utilizzare imballaggi e supporti approvati.

### **CONDIZIONI PER IL MONTAGGIO DELLE BATTERIE**

- Non utilizzare la batteria subito dopo aver ricevuto la batteria stessa o la bicicletta. Caricare completamente la batteria prima del suo primo utilizzo.
- Spegnerne sempre la batteria e/o la bici prima di inserire o rimuovere la batteria dalla bicicletta.

### **CONDIZIONI PER LA RICARICA E ISTRUZIONI PER LA SICUREZZA**

- La batteria non è completamente carica al momento dell'acquisto. Prima di usare la bici, caricare completamente la batteria.
- Utilizzare solo il caricabatterie originale Gen2 per caricare la batteria.

- Spegnerne sempre la bicicletta e la batteria prima di collegare o scollegare il caricabatterie con la porta di carica.
- Verificare che la porta di ricarica della bicicletta e la presa di corrente siano sempre pulite e asciutte prima di collegare il caricabatterie.
- Non utilizzare mai il caricabatterie se si sospetta che possa essere danneggiato o rotto.
- Non smontare o modificare il caricabatterie.
- Tenere sempre chiuso il coperchio della porta di ricarica se non si sta caricando la batteria.
- Non introdurre oggetti metallici nella porta di ricarica della batteria.
- Evitare che il caricabatterie si bagni ed evitare di utilizzarlo se è bagnato. Per evitare scosse elettriche, non trasportare o maneggiare la batteria con le mani bagnate.
- Non utilizzare il caricabatterie se è coperto da un panno o altro materiale.
- Per evitare scosse elettriche, non toccare le parti metalliche delle batterie o del caricabatterie.
- Non utilizzare il caricabatterie per caricare la batteria all'aperto o in ambienti con elevata umidità.
- Per non danneggiare il cavo, non tenere il caricabatterie dal cavo per spostarlo ed evitare di avvolgere il cavo intorno al caricabatterie al momento di riporlo.
- Non pedalare e non eseguire qualsiasi tipo di scarico della batteria mentre il caricabatterie è collegato.
- Rimuovere sempre il Range Extender dalla bici prima di lavarla con acqua o qualsiasi altro liquido.
- Se si desidera caricare la batteria dopo l'uso, attendere un'ora, perché la temperatura della batteria potrebbe essere troppo elevata.
- Si consiglia di caricare la batteria in una zona dotata di rilevatore di fumo.
- Per evitare danni alla batteria nel caso di un guasto al circuito di interruzione della ricarica, non è consigliabile lasciare la batteria collegata permanentemente al caricabatterie.

### **RICICLO**

- Le batterie, gli accessori e gli imballaggi devono essere differenziati per un riciclo rispettoso dell'ambiente.
- Le batterie agli ioni di litio sono risorse preziose e riciclabili. Seguire le normative per lo smaltimento delle batterie usate. In caso di dubbi, consultare Orbea o un rivenditore autorizzato.
- La batteria non può essere smaltita come rifiuto domestico. Sarà accettata nel punto vendita e debitamente smaltita.

### **CONDIZIONI DI INVALIDAZIONE DELLA GARANZIA**

- Caricare la batteria almeno una volta ogni 3 mesi fino al 50% della sua capacità, anche quando la bicicletta non viene utilizzata.



- La garanzia non copre i prodotti in relazione all'usura naturale e al deterioramento dovuto all'uso normale e all'invecchiamento.
- La vita utile della batteria varia a seconda di fattori come il metodo di stoccaggio, le condizioni e l'ambiente d'uso e le caratteristiche della singola batteria.
- Se la batteria è completamente scarica, andrà ricaricata il prima possibile. Se non viene ricaricata si potrebbe deteriorare e diventare inutilizzabile.
- Non smontare la batteria o altre parti correlate, compresa l'etichetta, per non invalidare la garanzia.
- Consultare il paragrafo del presente manuale relativo alla Garanzia per ulteriori informazioni sulla garanzia Orbea e sulla procedura di richiesta di prestazioni coperte da garanzia.

## AUTONOMIA

I motori Shimano EP600 and EP801, unitamente alle batterie dei sistemi Orbea Ebike, sono stati progettati per offrire la massima autonomia possibile per un sistema di dimensioni e peso così compatti.

L'autonomia disponibile per ciascuna ricarica dipende fortemente da vari fattori, come ad esempio:

- **Modalità di servoassistenza:** l'utilizzo di livelli con servoassistenza più elevata riduce l'autonomia disponibile.
- **Profilo di servoassistenza:** Il profilo di servoassistenza selezionato mediante l'app Shimano Etube Project influirà sull'autonomia disponibile. Selezionando il profilo di servoassistenza 2 si aumenta la potenza erogata per ciascuna modalità di servoassistenza, quindi l'autonomia potrebbe risentirne.
- **Personalizzazione delle modalità di servoassistenza:** I valori approssimativi dell'autonomia tengono conto dei valori di potenza di ciascuna modalità di servoassistenza, secondo le impostazioni originali di Orbea. La personalizzazione della potenza erogata in ciascuna modalità tramite l'app Shimano Etube Project influirà sull'autonomia effettiva della batteria.
- **Temperatura:** La ricarica e l'utilizzo della batteria a basse temperature diminuiscono l'autonomia per ciascuna ricarica.
- **Peso del ciclista e dell'equipaggiamento/bagaglio.**
- **Quanto si spinge sui pedali.**
- **Terreno e pendenze:** l'utilizzo su terreni sconnessi e in salita influisce sull'autonomia disponibile per ciascuna ricarica.
- Arresti e partenze frequenti possono influire sull'autonomia disponibile.

## TRASPORTO DELLE BATTERIE DELLE BICI ELETTRICHE

La batteria interna Orbea e la batteria esterna Range Extender dovranno essere trasportate nel rispetto delle normative vigenti e con i mezzi di trasporto consentiti per questi articoli. Le unità dovranno sempre essere trasportate o spedite utilizzando l'imballaggio originale approvato e un vettore approvato. Informati sulle condizioni di movimentazione e trasporto di questo tipo di articoli nel tuo Paese.

Se il Range Extender o la batteria interna devono essere inviati a Orbea per riparazioni o diagnosi, dovranno essere spediti nell'imballaggio originale approvato e dovrà essere utilizzato un corriere autorizzato al trasporto batterie. Orbea potrà fornire informazioni sull'opzione migliore.

Se è necessaria la documentazione sulla sicurezza delle batterie RS (MSDS) per il trasporto, o se tale documentazione dovesse essere richiesta dallo spedizioniere, rivolgersi a Orbea per ottenerla.

## TRASPORTO DELLE BICI ELETTRICHE

Se si prevede di viaggiare con la bici elettrica al seguito, informarsi sulle condizioni di trasporto delle batterie applicate dalla compagnia aerea che si intende utilizzare per il trasporto della bici. La maggior parte delle compagnie aeree commerciali non consente il trasporto di batterie con capacità superiore a 100 Wh.

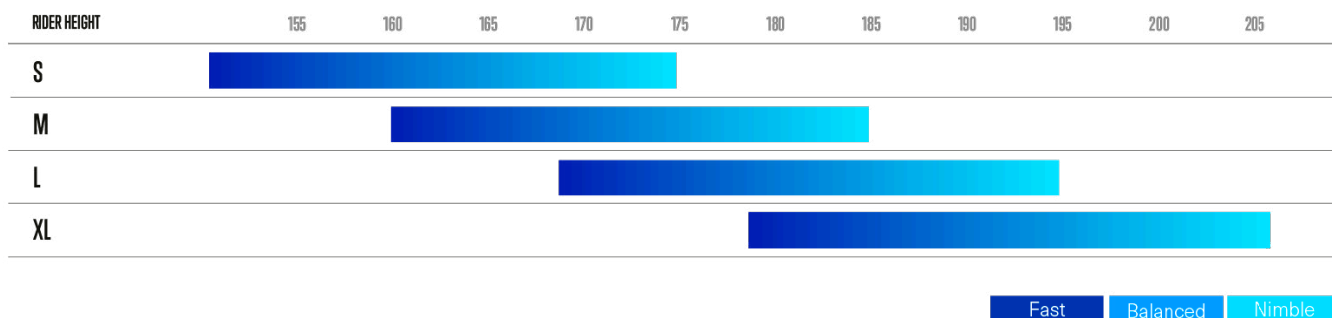
Se è necessaria la documentazione sulla sicurezza delle batterie RS (MSDS) per il trasporto, o se tale documentazione dovesse essere richiesta dallo spedizioniere, rivolgersi a Orbea per ottenerla.



## ERGONOMIA

Il tubo piantone Steep'n'Deep consente l'uso di reggisella telescopici a lunga escursione su tutte le taglie dei telai, offrendo così una scelta più ampia di taglie con la certezza che l'altezza della sella sarà sempre corretta (vedere la tabella delle altezze massime e minime dei reggisella telescopici in questa sezione).

Un telaio con reach più corto sarà più agile e maneggevole, mentre un telaio con reach più lungo sarà più stabile a velocità più elevate. Scegli la dimensione più adatta alle tue esigenze.



\* Le misure riportate nella tabella delle taglie sono orientative. Il modo migliore per individuare la taglia del telaio più adatta consiste nel provare una bicicletta presso uno dei nostri rivenditori autorizzati.

## ALTEZZA MASSIMA E MINIMA DELLA SELLA CON REGGISELLA TELESCOPICO

La tabella seguente indica le altezze massime e minime (in millimetri) della sella con il reggisella telescopico in posizione di max estensione per ciascuna misura di telaio.

L'altezza massima della sella si riferisce all'altezza della sella con il reggisella installato con il minimo inserimento, che dipende dal reggisella stesso.

L'altezza minima si riferisce all'altezza della sella con il reggisella installato con il massimo inserimento, che dipende dal telaio.

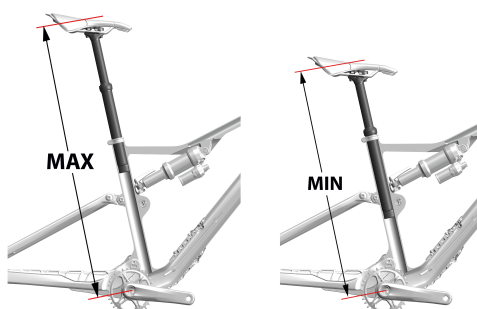
Le altezze massime e minime sono indicate solo per le opzioni di reggisella e selle forniti da Orbea per un telaio specifico. Per queste dimensioni in relazione all'uso di un reggisella telescopico diverso, consultare le specifiche del produttore del reggisella e fare riferimento alle misure di inserimento massimo del telaio nella sezione delle specifiche tecniche di questo manuale.

### AVVISO

Le dimensioni riportate nella tabella seguente si riferiscono alla distanza tra il centro della scatola del movimento centrale e il centro della parte superiore della sella (per i modelli di sella montati da Orbea).

Le diverse selle presenti sul mercato possono comportare la variazione delle dimensioni indicate di +/-5 mm a seconda dell'altezza del modello di sella specifico. Se l'altezza sella differisce da una determinata dimensione di meno di 5 mm sarà possibile regolarla installando un altro modello di sella disponibile sul mercato.

Se l'altezza della propria sella differisce di oltre 5 mm dalle misure indicate, scegliere un reggisella telescopico con escursione più lunga o più corta.



## TELAIO/TAGLIA

MODELLO REGGISSELLA TELESCOPICO	ALTEZZA SELLA ESTESA	RISE H (S)	RISE H (M)	RISE H (L)	RISE H (XL)
OC DP-MC21 31,6x390 mm Drop 125 mm	Altezza massima sella (mm)	760*	770*	780*	815*
	Altezza minima sella (mm)	630*	640*	650*	685*
OC DP-MC21 31,6x440 mm Drop 150 mm	Altezza massima sella (mm)	805*	820*	830*	860*
	Altezza minima sella (mm)	655*	670*	675*	710*
OC DP-MC21 31,6x480 mm Drop 170 mm	Altezza massima sella (mm)	850*	865*	870*	905*
	Altezza minima sella (mm)	675*	690*	695*	730*
OC DP-MC21 31,6x550 mm Drop 200 mm	Altezza massima sella (mm)	885*	900*	820*	940*
	Altezza minima sella (mm)	720*	715*	725*	755*
OC DP-MC21 31,6x610 mm Drop 230 mm	Altezza massima sella (mm)	900*	910*	850*	955*
	Altezza minima sella (mm)	780*	775*	770*	790*
Fox Transfer SL 31,6x455 mm Drop 125 mm	Altezza massima sella (mm)	825*	840*	850*	885*
	Altezza minima sella (mm)	635*	645*	660*	690*
Fox Transfer 31,6x363 mm Drop 125 mm	Altezza massima sella (mm)	720*	730*	740*	775*
	Altezza minima sella (mm)	620*	630*	645*	675*
Fox Transfer 31,6x418 mm Drop 150 mm	Altezza massima sella (mm)	770*	785*	795*	825*
	Altezza minima sella (mm)	640*	655*	665*	700*
Fox Transfer 31,6x475 mm Drop 175 mm	Altezza massima sella (mm)	830*	845*	850*	885*
	Altezza minima sella (mm)	670*	685*	690*	725*
Fox Transfer 31,6x530,7 mm Drop 200 mm	Altezza massima sella (mm)	835*	850*	855*	890*
	Altezza minima sella (mm)	715*	710*	715*	750*
Fox Transfer 2025 31,6x411-150 mm escursione	Altezza massima sella (mm)	765*	775*	790*	820*
	Altezza minima sella (mm)	645*	655*	670*	700*
Fox Transfer 2025 31,6x476-180 mm escursione	Altezza massima sella (mm)	830*	840*	855*	885*
	Altezza minima sella (mm)	670*	680*	695*	730*
Fox Transfer 2025 31,6x541-210 mm escursione	Altezza massima sella (mm)	895*	905*	920*	950*
	Altezza minima sella (mm)	735*	735*	735*	760*
Fox Transfer 2025 31,6x611-230 mm escursione	Altezza massima sella (mm)	965*	975*	995*	1020*
	Altezza minima sella (mm)	805*	805*	785*	805*

\* Le dimensioni possono variare di +/-5 mm a seconda dell'altezza del modello di sella.

## SPECIFICHE TECNICHE DEL TELAIO

	RISE H SL	RISE H LT
<b>MATERIALE</b>		
Triangolo anteriore	Alluminio idroformato con spessore doppio e triplo	
Forcellone	Alluminio idroformato con spessore doppio e triplo	
Leveraggio	Alluminio	
prolunga leveraggio	Alluminio	Alluminio
<b>USO CONSIGLIATO</b>		
Trail, All Mountain, ASTM Condizione 4		
<b>MISURE DISPONIBILI</b>		
S, M, L, XL		
<b>SISTEMA SOSPENSIONI</b>		
Orbea Concentric Boost 2 Pivot		
<b>ATTITUDE ADJUST</b>		
	No	Sì. Prolunga ammortizzatore Flip chip per posizione alta e bassa
<b>ESCURSIONE FORCELLA</b>		
	140 mm	160 mm
<b>LUNGHEZZA MASSIMA DELLA FORCELLA (DALL'ASSE ALLA CORONA)</b>		
	575 mm	
<b>OFFSET DELLA FORCELLA</b>		
	44 mm	
<b>ESCURSIONE POSTERIORE</b>		
	140 mm	150 mm
<b>MISURE AMMORTIZZATORE (LUNGHEZZA/CORSA)</b>		
	210x50 mm	210x55 mm
<b>FERRAMENTA DELL'AMMORTIZZATORE</b>		
Ant. (telaio)	8x24,892 mm	
Post. (prolunga ammortizzatore)	8x16,46 mm	
<b>COMPATIBILITÀ AMMORTIZZATORI A MOLLA</b>		
	Sì*	
<b>COMPATIBILITÀ AMMORTIZZATORE FOX FLOAT X2</b>		
	No	
<b>SAG CONSIGLIATO</b>		
	25-30%	
<b>SERIE STERZO STANDARD</b>		
	Orbea ICR HS02 SIC (Sealed Internal Cabling) No Spinblock	
<b>CUSCINETTI DELLA SERIE STERZO</b>		
	Superiore: 1-1/2" (con adattatore da 1-1/2" a 1-1/8" per cablaggio interno) Inferiore: 1-1/2"	
<b>DISTANZIALI DELLA SERIE STERZO</b>		
	Escl. HS02 Vd. Sezioni Sterie sterzo e Attacchi manubrio	
<b>MASSIMO DISTANZIALI SERIE STERZO</b>		
	Sotto l'attacco manubrio: 30 mm	
<b>MOVIMENTO CENTRALE</b>		
	Asse motore Shimano EP801/EP6	
<b>LINEA DI CATENA</b>		
	55 mm	
<b>DIMENSIONI RUOTE</b>		
	29"	
<b>COMPATIBILE CONFIGURAZIONE MULLET</b>		
	No	

	RISE H SL	RISE H LT
DIM. MAX PNEUMATICO POSTERIORE	29x2.5"	
LARGHEZZA MASSIMA PNEUMATICO ANT.	Dipende dalla forcella 29 x 2,5" per i modelli configurati da Orbea	
FORCELLINO DEL CAMBIO	Sram UDH (Universal Derailleur Hanger) Rondella 30 mm	
COMPATIBILE SRAM TIPO T	Sì	
STANDARD FORCELLINI POSTERIORI	Boost 12x148 mm	
MISURE ASSE POSTERIORE	12x184 mm	
PASSO FILETTO ASSE POSTERIORE	1,0 mm	
LUNGHEZZA FILETTO ASSE POSTERIORE	15 mm	
ASSE RUOTA ANTERIORE	Dipende dal modello della forcella	
DIAMETRO REGGISELLA	31,6 mm	
DIAMETRO MORSETTO REGGISELLA	34,9 mm	
INSERIMENTO MASSIMO DEL REGGISELLA	S: 295 mm M: 312 mm L: 320 mm XL: 354 mm	
COMPATIBILE CON REGGISELLA TELESCOPICO CON CABLAGGIO INTERNO	Sì	
DERAGLIATORE ANTERIORE	N. Solo corona singola	
CORONE COMPATIBILI	Con calettatura asse Shimano EP8/EP801/EP6. Linea di catena 55 mm	
DIMENSIONI MASSIME CORONA	34T	
DIMENSIONI MINIME CORONA	30D	
COMPATIBILE CON CORONA OVALE	No	
GUIDACATENA	Sì. Guidacatena per motore Shimano E8000-EP8-EP801-EP6 Linea di catena 55 mm	
ICGS	No	
PEDIVELLE COMPATIBILI	Pedivella per motore Shimano EP8/EP801/EP6	
FATTORE Q	(EP801-EP6) 177 mm	
LUNGHEZZA PEDIVELLA	165-175 mm	
COMPATIBILITÀ TRASMISSIONE	11S e 12S (1X). MTB Boost. Linea di catena 55 mm	
COMPATIBILE DI2	Sì. Shimano XT RD-M8150 Collegato al motore (vd. sezione sul Collegamento a Etube Professional)	
COMPATIBILE SRAM AXS	Sì	
TIPOLOGIA FRENO	Disco. Post Mount**	
DIM. MAX DISCO FRENO POSTERIORE	203 mm	
DIM. MIN. DISCO FRENO POSTERIORE	180 mm	
DIM. MIN./MAX DISCO FRENO ANTERIORE	Dipende dal modello della forcella Fox 34: 180-203 mm	

	RISE H SL	RISE H LT
		Fox 34 AWL: 160–203 mm Fox 36: 180–230 mm Fox 36 AWL HD: 160–230 mm
	<b>SIC (Sealed Internal Cabling)</b>	
<b>CABLAGGIO</b>	<b>Freno e deragliatore posteriori:</b> Interno, attraverso serie sterzo, tubo obliquo e foderi bassi. Guaina completa.	
	<b>Freno anteriore:</b> Esterno	
	<b>Reggisella telescopico:</b> Interno attraverso la serie sterzo, il tubo obliquo e il tubo piantone. Guaina completa.	
	<b>Sistema Ebike:</b> cablaggio completamente interno	
<b>CABLAGGIO COMPATIBILE FRENO POSTERIORE SX</b>	Sì	
<b>PORTABORRACCIA</b>	1. Tutte le taglie di telaio. Supporto per Range Extender 210 Wh o portaborraccia standard	
<b>STRUMENTI</b>	Utensile MT-20 nell'asse del leveraggio (opzionale) Camma brugola asse ruota 6 mm	
<b>MOTORI COMPATIBILI</b>	Shimano EP801 RS/EP6 RS	
<b>ANGOLO MONTAGGIO MOTORE</b>	13°	
<b>BATTERIE INTERNE COMPATIBILI ORBEA EBIKE SYSTEM</b>	420 Wh Gen2 630 Wh Gen2	
<b>RANGE EXTENDER COMPATIBILE ORBEA EBIKE SYSTEM</b>	210 Wh Gen2	
<b>INSTALLAZIONE MAGNETE SENSORE DI VELOCITÀ EBIKE</b>	Sul disco freno post.***	
<b>COMPATIBILE CON POTENZIOMETRO</b>	No	
<b>PORTAPACCHI COMPATIBILI</b>	No	
<b>COMPATIBILE CON PARAFANGHI FISSI</b>	No	
<b>COMPATIBILE CON SEGGIOLINO PER BAMBINI</b>	No	
<b>COMPATIBILE CON RIMORCHIO</b>	No	
<b>PESO MAX CONSIGLIATO (ciclista+equipaggiamento+bagaglio)</b>	Consultare il documento Pesì Max Consigliati da Orbea (Orbea Product Maximum Recommended Weights) sul nostro sito web	

\* Non tutti gli ammortizzatori a molla disponibili sul mercato sono compatibili con il telaio Rise. Tutte le configurazioni specificate da Orbea sono state verificate. Per le configurazioni aftermarket, verificare misure e tolleranze prima dell'acquisto.

\*\*Non tutte le pinze e i dischi freno presenti sul mercato sono compatibili con tutti i telai. Tutte le configurazioni specificate da Orbea sono state verificate. Per le configurazioni aftermarket, verificare misure e tolleranze prima dell'acquisto.

\*\*\*DISCHI FRENO COMPATIBILI: consultare la sezione Componenti dell'Impianto Elettrico per le opzioni di compatibilità dei dischi freno

## SPECIFICHE TECNICHE SHIMANO EP801 ED EP600

### AVVISO

Come regola generale, i componenti Shimano montati sulla Rise 2025 e marcati Gen2 non sono compatibili con i componenti di prima generazione. Verificare i dati sulla compatibilità nella documentazione del produttore [qui](#). Consultare il manuale sui sistemi Shimano EP801/EP6 [qui](#). Ricordare che le batterie Orbea Ebike System Gen2 e il firmware motore RS motor sono esclusivi Orbea.

UNITÀ MOTORE	SHIMANO DU-EP801 RS	SHIMANO DU-EP6-RS
POTENZA NOMINALE	250 W	
TENSIONE	36 V	
TIPO	Brushless DC	
COPPIA MASSIMA	85 N m	
VEL. MAX	UE: 25 Km/h US E-Bikes Class 1: 20 Mph	
PESO	2,7 kg	3,0 kg
PROFILI DI SERVOASSISTENZA	2 (RS/RS+) Selezionabile mediante l'app E Tube Project o il display Modificabile con l'app Etube Project	
LIVELLI DI SERVOASSISTENZA (PER CIASCUN PROFILO)	MODALITÀ BASIC: 3 (ECO, TRAIL, BOOST) Modificabile con l'app Etube Project MODALITÀ FINE TUNE: Fino a 15 (ECO, TRAIL, BOOST) Si può modificare con l'app Etube Project	
CAMMINATA SERVOASSISTITA (WALK ASSIST)	Sì	
STANDARD CAVO STEPS/DI2	EW-SD300	
COLLEGAMENTO LUCI	Non sulla Rise Consultare la sezione sul collegamento a Etube Professional	
ANGOLO DI MONTAGGIO SULLA RISE	13°	
INTERRUTTORE SERVOASSISTENZA	SHIMANO SW-EN600-L Gen2	
FUNZIONI	Accendere e spegnere la bici	
	Modifica livello servoassistenza	
	Attivazione camminata servoassistita (Walk Assist)	
	Navigazione nelle schermate dei display Shimano (opzione configurazione)	
MONTAGGIO	Manubrio (Diametro fascetta 22,2 mm)	
STANDARD CAVO STEPS/DI2	EW-SD300	
CONNETTIVITÀ	Bluetooth LE (Shimano Etube Project/Shimano Ride apps) ANT Private	
ACCENSIONE E SPEGNIMENTO DELLE LUCI	Non attivo sulla Rise	
MANUALE DEL PRODUTTORE	<a href="https://si.shimano.com/es/dm/SCSW002">https://si.shimano.com/es/dm/SCSW002</a>	



<b>DISPLAY (opzionale)</b>	<b>SHIMANO SC-EN600</b>
<b>FUNZIONI</b>	Vd. informazioni del produttore: <a href="https://bike.shimano.com/en-EU/product/component/ep6-ep600/SC-EN600.html">https://bike.shimano.com/en-EU/product/component/ep6-ep600/SC-EN600.html</a>
<b>MONTAGGIO</b>	Sul manubrio (fascetta 35 mm) Sull'attacco manubrio OC MC11: Supporto specifico
<b>STANDARD CAVO STEPS/DI2</b>	EW-SD300
<b>MANUALE DEL PRODUTTORE</b>	<a href="https://si.shimano.com/es/um/7JD0A">https://si.shimano.com/es/um/7JD0A</a>
<b>CABLAGGIO</b>	<b>SHIMANO EW-SD300</b>
<b>SENSORE</b>	EW-SS301 760 mm Montato sul foderò basso sx. Cablaggio interno
<b>MAGNETE</b>	Sul disco freno post.
<b>CONNETTORI</b>	EW-JC302/EWJC304 A seconda del montaggio All'interno del manubrio
<b>STANDARD CAVO STEPS/DI2</b>	EW-SD300

## SPECIFICHE TECNICHE ORBEA E-BIKE SYSTEM GEN2

### AVVISO

Vd. [qui](#) per la compatibilità dei componenti Orbea Ebike System con i modelli di bici Orbea.

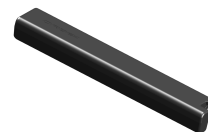
#### BATTERIA INTERNA ORBEA 420 Wh GEN2

TENSIONE	36 V
CAPACITÀ	420 Wh
PESO	1,96 kg circa
CELLE	Ioni di litio. LG INR21700M58T
TEMPO DI RICARICA 100% (4A) Con caricabatterie Smart Charger RS Gen2	3,5 ore
TEMPO DI RICARICA 80% (4A) Con caricabatterie Smart Charger RS Gen2	2 ore
MONTAGGIO	Interno. All'interno del tubo obliquo. Non rimovibile dall'utente.
COLLEGAMENTO	Cablaggio per motore e porta di ricarica
GUARNIZIONI DI TENUTA	IPX6
CERTIFICAZIONI	ISO13849 > ISO13849-1:2015 IEC62133 > IEC62133:2017 UN 38.3 Corea: KC XU103387-24002 US (UL) SGS 802543
COMPATIBILITÀ	Compatibile con Orbea Ebike System Gen2 Nei sistemi installati sui modelli Orbea con motore Shimano EP801/EP6. <a href="#">Vd. tabella compatibilità</a>



#### BATTERIA INTERNA ORBEA RS 630 Wh GEN2

TENSIONE	36 V
CAPACITÀ	630 Wh
PESO	2,88 Kg circa
CELLE	Ioni di litio. LG INR21700M58T
TEMPO DI RICARICA 100% (4A) Con caricabatterie Smart Charger RS Gen2	5 ore
TEMPO DI RICARICA 80% (4A) Con caricabatterie Smart Charger RS Gen2	3 ore
MONTAGGIO	Interno. All'interno del tubo obliquo. Non rimovibile dall'utente.
COLLEGAMENTO	Cablaggio per motore e porta di ricarica
GUARNIZIONI DI TENUTA	IPX6



**BATTERIA INTERNA ORBEA RS 630 Wh GEN2**

<b>CERTIFICAZIONI</b>	ISO13849 > ISO13849-1:2015
	IEC62133 > IEC62133:2017
	UN 38.3
	Corea: KC XU103387-24001 US (UL) SGS 802543

<b>COMPATIBILITÀ</b>	Compatibile con Orbea Ebike System Gen2
	Nei sistemi installati sui modelli Orbea con motore Shimano EP801/EP6.
	<a href="#">Vd. tabella compatibilità</a>

**BATTERIA ESTERNA RS 210 Wh GEN2 RANGE EXTENDER**

<b>TENSIONE</b>	36 V
<b>CAPACITÀ</b>	210 Wh
<b>PESO</b>	1,03 kg circa
<b>CELLE</b>	Ioni di litio. LG INR21700M58T
<b>TEMPO DI RICARICA 100% (2A)</b> Con caricabatterie RS Smart Charger Gen2	3 ore
<b>TEMPO DI RICARICA 80% (2A)</b> Con caricabatterie RS Smart Charger Gen2	2 ore



<b>MONTAGGIO</b>	Portaborraccia specifico sul tubo obliquo
<b>COLLEGAMENTO</b>	Cavo Rise specifico 120 mm
<b>GUARNIZIONI DI TENUTA</b>	IPX6

<b>CERTIFICAZIONI</b>	ISO13849 > ISO13849-1:2015
	IEC62133 > IEC62133:2017
	UN 38.3
	Corea: KC XU103387-24003 US (UL) SGS 802543

<b>COMPATIBILITÀ</b>	Compatibile con sistemi Orbea Ebike Systems Gen2 MC
	Solo Rise e Urrun da MY2025
	<a href="#">Vd. tabella compatibilità</a>

**CARICABATTERIE SMART CHARGER RS 2A-4A GEN2**

<b>INGRESSO</b>	100-240V. 50-60Hz. CA
<b>USCITA</b>	42V 4A CC
<b>CORRENTE DI CARICA BATTERIA INTERNA</b>	4 A
<b>CORRENTE DI CARICA RANGE EXTENDER RS 210 Wh</b>	2A Lo Smart Charger RS riconosce a quale batteria è collegato e adatta la corrente di carica.
<b>INTERVALLO DI TEMPERATURA PER LA RICARICA</b>	0°C-40°C
<b>VISUALIZZAZIONE PROCESSO DI CARICA</b>	Display LED per processo di carica ed errori



**CARICABATTERIE SMART CHARGER RS 2A-4A GEN2****CERTIFICAZIONI**

CB: IEC60335-1, IEC60335-2-29 EC: EN60335-1, EN60335-2-29  
RCM, SAA: AS/NZS 60335.2.29  
UKCA: BS/EN60335-1, BS/EN60335-2-29  
FCC: FCC PART 15B  
IC: ICES-003-Issue 7  
CE: UKCA: EN55014-1/2, EN610003-3/2  
C-TICK: AS/NZS CISPR 14.1

**COMPATIBILITÀ**

Compatibile con i sistemi Orbea Ebike System Gen2 sui modelli Orbea con motore Shimano EP801/EP6 a partire dalla gamma 2023  
[Vd. tabella compatibilità](#)

**CABLAGGIO ORBEA RS GEN2****CABLAGGIO RISE 2025**

Batteria interna-porta di ricarica-collegamento al motore  
Protocollo di Comunicazione: Shimano STEPS Gen2  
Guarnizione: IP66  
Compatibilità: Rise a partire da MY2025  
[Vd. tabella compatibilità](#)

## 08 UTILIZZO DELLA RISE

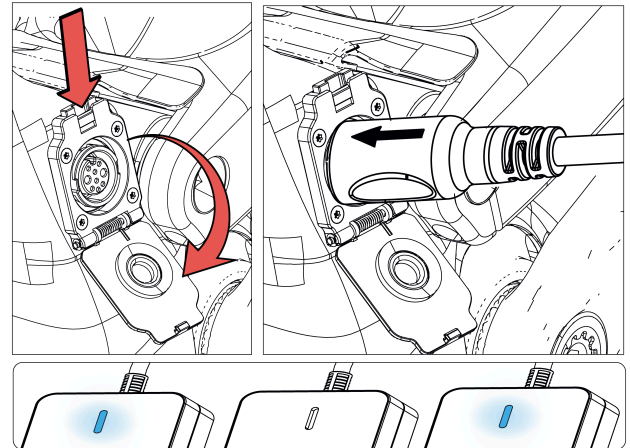
La presente sezione descrive il funzionamento di base dei sistemi Shimano STEPS EP801/EP6 sulla bici Rise e le caratteristiche esclusive del sistema STEPS EP801RS/EP6 di Orbea.

Consultare anche il manuale per utenti per il sistema Shimano EP801 qui: [\[Missing cross reference text\] https://si.shimano.com/es/um/7K70A](https://si.shimano.com/es/um/7K70A)

### AVVISO

I manuali per utenti e per rivenditori per i componenti Shimano possono essere consultati su: <https://si.shimano.com/es/>

Digita il nome del componente nel campo di ricerca per accedere al manuale d'uso, al manuale del rivenditore, ai ricambi, ecc.



Quando il caricabatterie è collegato alla bici, la bicicletta non può essere accesa.

Per conoscere l'esatta percentuale di carica residua, scollegare il caricabatterie dalla porta di ricarica, accendere la bici e controllare il livello di carica sul comando SW-EN600-L o sul display, oppure collegare la bici alle applicazioni Orbea RS Toolbox (Garmin) o Shimano Etube Project Cyclist (smartphone) per conoscere il livello di carica della batteria

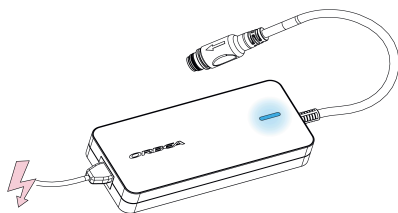
## RICARICA DELLA BATTERIA INTERNA

### AVVISO

Prima di utilizzare la batteria interna o il Range Extender al primo utilizzo della bici, dovranno essere caricati completamente.

## BATTERIE INTERNE ORBEA RS 630 WH GEN2 E 420 WH GEN2

Per caricare la batteria interna, collegare il caricatore a una presa di corrente. Il LED del caricabatteria lampeggia nel colore blu quando il dispositivo non è collegato alla bicicletta.



Aprire lo sportellino della porta di ricarica della Rise e collegare il caricabatterie allineando correttamente il connettore con la porta.

Allineare nel modo corretto i pin della porta di ricarica con quelli del connettore del caricabatterie.

Il LED del caricabatterie si accende nel colore blu fisso per 2 secondi, quindi inizia ad accendersi e a spegnersi sfumando ciclicamente fino a quando la batteria è completamente carica.

### AVVISO

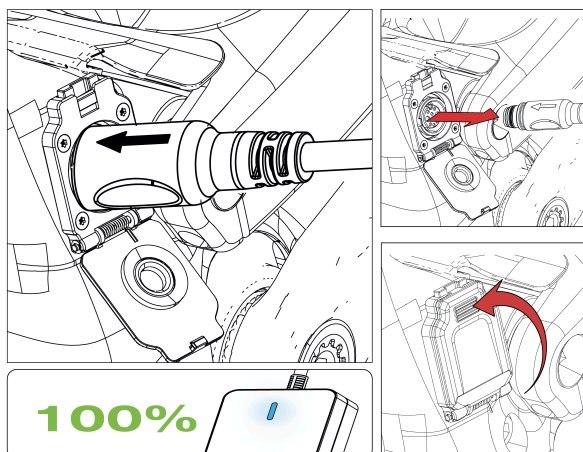
Se il LED del caricabatterie si accende nella colorazione rossa quando il caricabatterie è collegato a una presa di corrente o durante la ricarica, questo indica la presenza di un problema.

Scollegare immediatamente il caricabatterie e consultare la sezione dei metodi per la risoluzione dei problemi del caricabatterie nel presente manuale. Se il problema persiste, contattare un rivenditore autorizzato Orbea.



Quando la batteria è completamente carica, il LED del caricabatterie si accende di nuovo nella colorazione blu fissa.

Scollegare il caricabatterie dalla porta di ricarica con attenzione, estraendo delicatamente il connettore. Verificare che lo sportellino della porta di carica sia chiuso correttamente

**AVVISO**

Non lasciare che il livello di carica scenda frequentemente sotto il 10%

Evitare di lasciare il caricabatterie costantemente collegato alla batteria per lunghi periodi di tempo e controllare il processo di ricarica per poter scollegare il caricabatterie in caso di anomalie quali fumo, odore di bruciato o fiamme.

Il caricabatterie smart charger è progettato per interrompere il processo di ricarica quando la batteria è completamente carica. In questo modo si eviteranno possibili danni alle celle e sarà possibile caricare la batteria senza inconvenienti. Comunque, è sempre consigliabile supervisionare il processo di ricarica per evitare danni in caso di malfunzionamenti del caricabatterie

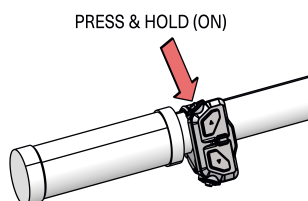
Le batterie agli ioni di litio sono sensibili alla temperatura durante il processo di ricarica. Rispettare sempre gli intervalli di temperatura descritti nel presente manuale per l'uso, la ricarica e lo stoccaggio delle batterie.

**BATTERIA ESTERNA RANGE EXTENDER 210 WH GEN2**

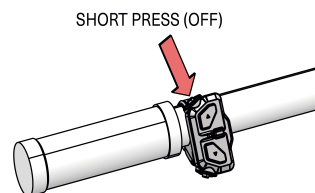
Per informazioni dettagliate sulla procedura di ricarica e sulla visualizzazione del livello di carica del Range Extender, consultare la sezione specifica sulla batteria esterna Range Extender 210 Wh RS Gen2.

**ACCENSIONE/SPEGNIMENTO DELLA RISE**

Per accendere la bici, premere il pulsante superiore dell'interruttore Shimano SW-EN600-L per 2 secondi, finché il livello di carica della batteria non viene visualizzato dal LED superiore



Per spegnere la bici, premere il pulsante superiore dell'interruttore a distanza Shimano SW-EN600-L per 0,5 secondi, fino allo spegnimento dei LED dell'interruttore.

**VISUALIZZAZIONE DEL LIVELLO DI CARICA DELLA BATTERIA**

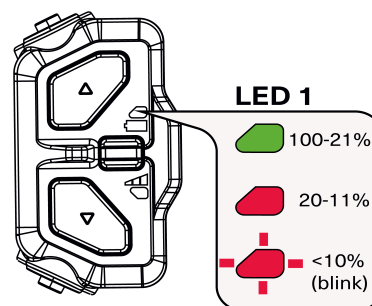
Il livello di carica della batteria della bici può essere visualizzato in diversi modi, a seconda dell'opzione di configurazione scelta.

**AVVISO**

Quando un Range Extender è collegato alla bici, il sistema calcolerà la capacità combinata della batteria interna e del Range Extender. Il livello di carica indicato secondo i criteri descritti qui di seguito corrisponderà al livello di carica residua combinata di entrambe le batterie, rapportato alla capacità totale del sistema. Per informazioni sul comportamento del Range Extender e sulla visualizzazione del livello di carica complessivo, consultare la sezione specifica Range Extender di questo manuale.

**TELECOMANDO SW-EN600-L**

Con la bicicletta accesa, il LED 1 del comando SW-EN600-L indica il livello di carica della/e batteria/e.



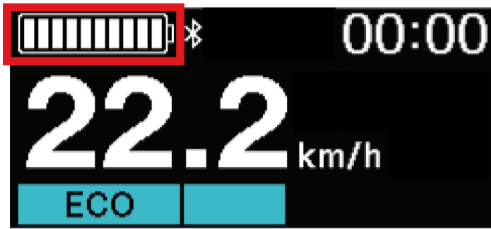
Il manuale del comando SW-EN600-L è consultabile qui:

<https://si.shimano.com/es/um/0NM0A>

**DISPLAY SC-EN600**

Nelle configurazioni con display SC-EN600, il livello di carica della/e batteria/e viene visualizzato sullo schermo.

Sono visualizzati 10 livelli di carica della(e) batteria(e). Quando il livello è pari o inferiore al 10%, viene visualizzato in rosso.



Il manuale del display Shimano SC-EN600 può essere consultato qui:

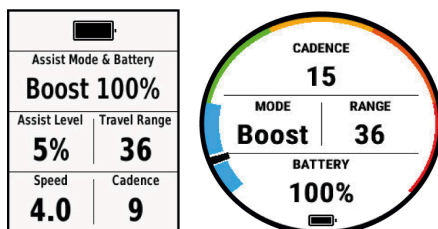
[https://si.shimano.com/es/manual/search?input\\_model=sc-en600](https://si.shimano.com/es/manual/search?input_model=sc-en600)

## DISPOSITIVI GARMIN COMPATIBILI. ORBEA RS TOOLBOX

L'app Orbea RS Toolbox consente di visualizzare i dati di interesse per le bici Orbea con motori Shimano EP8/EP801/EP6 sul proprio dispositivo Garmin compatibile, compreso il livello di carica della/e batteria/e espresso in percentuale.

Consultare il manuale dell'applicazione Orbea RS Toolbox per dispositivi Garmin al seguente link:

[Manuale utente Orbea RS Toolbox](#)



## BATTERIE ORBEA RS GEN2

### • Batteria interna

La batteria interna non è dotata di LED per indicare il livello di carica. Per conoscere il livello di carica della batteria interna, è necessario collegarla al sistema di servoassistenza elettrica per poterne verificare il livello di carica con i metodi descritti sopra.

### • Range Extender 210 Wh

Per conoscere il livello di carica corrente, premere una volta il pulsante principale della batteria Range Extender. Le luci LED mostreranno il livello di carica corrente per incrementi del 25% da destra a sinistra, accendendosi per 5 secondi.

### AVVISO

Per informazioni dettagliate sulla procedura di ricarica e sulla visualizzazione del livello di carica del Range Extender, consultare la sezione specifica sulla batteria esterna Range Extender 210 Wh RS Gen2.

## MODIFICA DEL LIVELLO DI SERVOASSISTENZA

### TELECOMANDO SW-EN600-L

Per modificare la modalità di servoassistenza con il comando SW-EN600-L, premere il pulsante X per aumentare il livello di servoassistenza fino al massimo disponibile (Boost).

Premere il pulsante Y per abbassare il livello di servoassistenza al livello che non eroga servoassistenza.

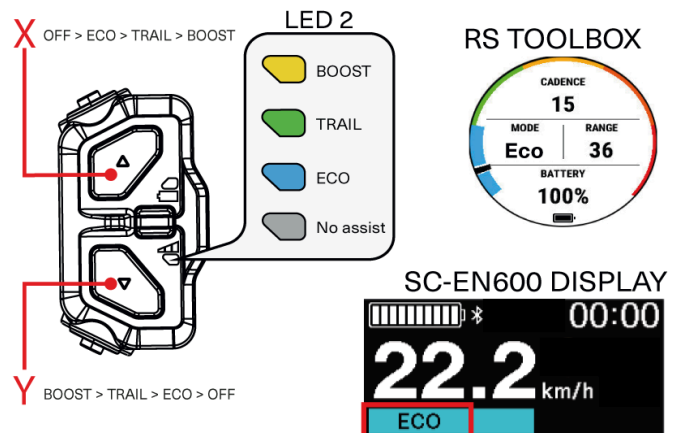
Le modalità di servoassistenza disponibili sono:

- OFF (nessuna servoassistenza elettrica)
- ECO
- TRAIL
- BOOST

Quando si modifica la modalità di servoassistenza, il LED2 sul comando cambia colore per indicare il livello di servoassistenza corrente. Nelle configurazioni dotate di display, la denominazione del livello corrente viene visualizzata sul display.

La app Garmin Orbea RS Toolbox visualizzerà anche il livello di servoassistenza selezionato sullo schermo. Consultare il manuale dell'applicazione Orbea RS Toolbox per dispositivi Garmin al seguente link:

[Manuale utente Orbea RS Toolbox](#)

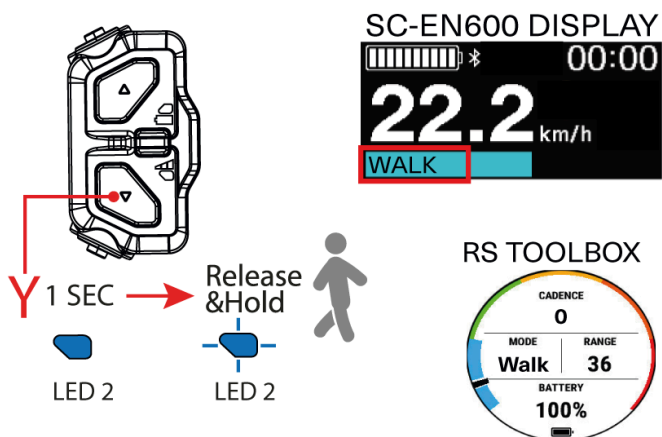


### CAMMINATA SERVOASSISTITA (WALK ASSIST)

Per attivare la modalità di camminata servoassistita, tenere premuto il pulsante Y sull'interruttore SW-EN600-L per 1 secondo fino a quando il LED 2 si accende sul telecomando nella colorazione blu.

Rilasciare il pulsante Y del comando e premerlo nuovamente per attivare la modalità di camminata servoassistita (Walk Assist). Il sistema manterrà questa modalità attivata finché si manterrà premuto il pulsante Y sul comando. Quando la modalità di Camminata servoassistita (Walk Assist) è attivata, il LED sul telecomando lampeggerà nella colorazione blu.

Per annullare la modalità di Camminata servoassistita WALK, premere il pulsante X sul comando.



Il manuale del comando SW-EN600-L è consultabile qui:

<https://si.shimano.com/es/manual/search?model=SW-EN600-L>

Il manuale del display Shimano SC-EN600 può essere consultato qui:

[https://si.shimano.com/es/manual/search?input\\_model=sc-en600](https://si.shimano.com/es/manual/search?input_model=sc-en600)

## PROFILI DI SERVOASSISTENZA. RS/RS+

I motori EP801RS ed EP6RS offrono 2 profili di servoassistenza per garantirti di ottenere il massimo dalla Rise in qualsiasi circostanza.

Il profilo RS (profilo 1) offre un'assistenza elastica nella fascia di cadenza di pedalata nella quale il corpo lavora in modo ottimale e una coppia fino a 56 N m per avventure epiche.

Il profilo RS+ (profilo 2) è progettato per le salite tecniche e i sentieri, dove la cadenza di pedalata è più bassa, e porta la coppia erogata fino a 85 N m.

## SELEZIONE DEI PROFILI DI SERVOASSISTENZA

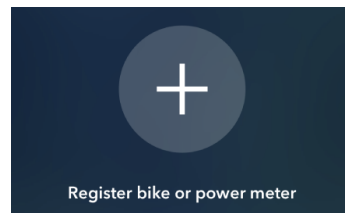
È possibile passare dal profilo di servoassistenza RS (profilo 1) al profilo RS+ (profilo 2) utilizzando l'applicazione per smartphone Shimano Etube Project Cyclist o il display SC-EN600 (sui modelli con questa opzione).

### APP ETUBE PROJECT CYCLIST

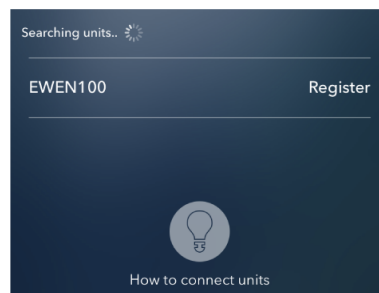


Scarica e installa Etube Project Cyclist sul tuo martphone da Google Play o Apple Store.

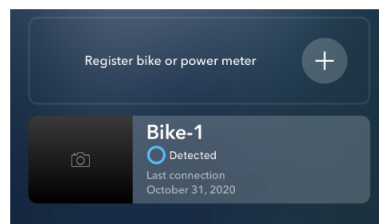
- 1. Apri Etube Project sullo smartphone.**  
Accendi la bici e apri l'applicazione sul tuo telefono.
- 2. Seleziona "Registra la tua E-bike"**



- 3. Seleziona l'unità da abbinare.** Se l'unità non è visibile sullo schermo dopo alcuni secondi, premere uno dei pulsanti per la servoassistenza sul manubrio per attivare la connessione.



- 4. Registra la tua bicicletta su Etube Project.** È possibile scegliere una password in modo che solo tu potrai apportare modifiche alla tua bici. Se non si desidera modificare la password, procedere con il passo successivo.

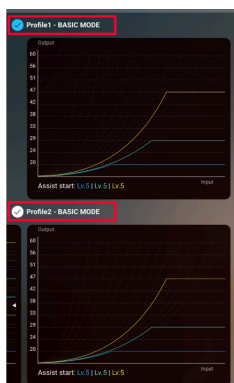


- 5. Seleziona l'opzione "Servoassistenza" ("Assist") nel tab Personalizza ("Customise").**

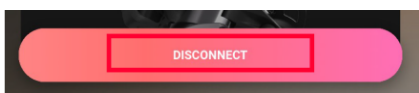


- 6. Selezionare il profilo che si desidera attivare sulla bicicletta: Profilo 1 (RS) o Profilo 2 (RS+).**





7. Selezionare applica (Apply) per salvare le modifiche.
8. Scollegare la bici dalla app facendo tap su Disconnect. Il profilo selezionato prima della disconnessione sarà quello attivo alla riaccensione della bici.



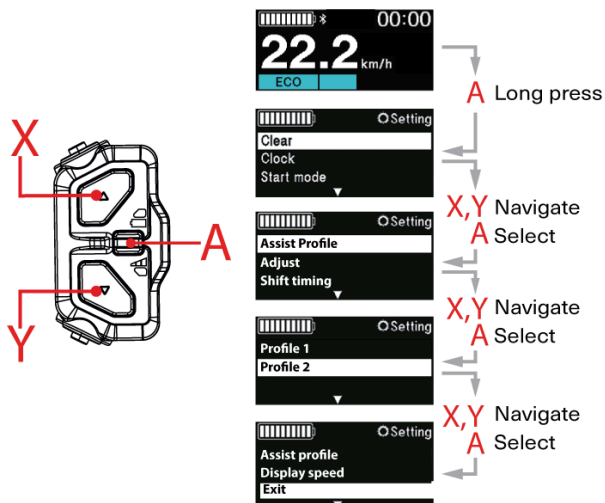
Consultare il manuale completo per l'app Etube Project Cyclist qui:

<https://si.shimano.com/es/um/7J4MA>

### DISPLAY SC-EN600

Sui modelli dotati di display Shimano è possibile selezionare il profilo di servoassistenza tramite il display.

1. Tenere premuto il pulsante A sul comando SW-EN-600-L per accedere alle Impostazioni del Display.
2. Utilizzare i pulsanti X,Y del comando per navigare nel menu Profilo di Servoassistenza (Assist Profile). Premere il pulsante A per selezionare il profilo.
3. Utilizzare i pulsanti X,Y per scegliere il profilo di servoassistenza (Profilo 1=RS, Profilo 2=RS +) e selezionarlo premendo A.
4. Utilizzare i pulsanti X,Y per navigare fino a Uscita (Exit) e selezionare premendo A. Il profilo di servoassistenza selezionato è ora attivo sulla bici.



Consultare il manuale completo del display SC-EN600 qui:

[https://si.shimano.com/es/manual/search?input\\_model=sc-en600](https://si.shimano.com/es/manual/search?input_model=sc-en600)

## PERSONALIZZAZIONE DEI LIVELLI DI SERVOASSISTENZA

I livelli di potenza erogati per ciascun livello di servoassistenza possono essere personalizzati tramite l'app Shimano Etube Project Cyclist.

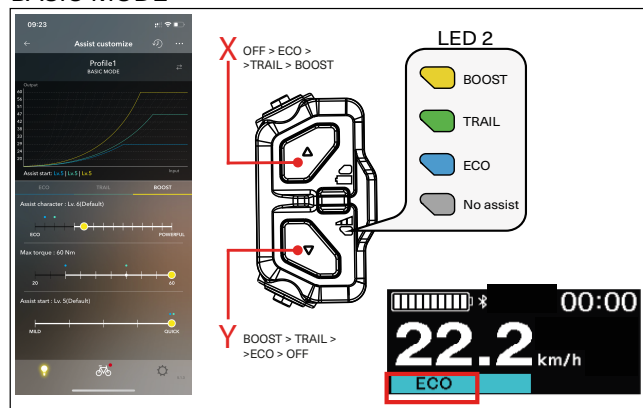
### PROFILI “MODALITÀ BASIC” E “FINE TUNE”

Ciascuno dei 2 profili di servoassistenza disponibili può essere attivato come profilo BASIC o FINE TUNE:

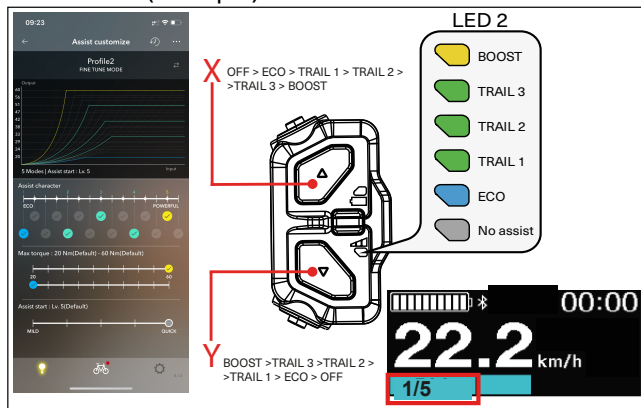
**MODALITÀ BASIC:** All'interno del profilo è possibile selezionare solo tre livelli di servoassistenza (ECO, TRAIL e BOOST). Le caratteristiche della servoassistenza e della coppia massima per ciascun livello possono essere modificate separatamente.

**FINE TUNE:** È possibile selezionare fino a 15 livelli di servoassistenza dal telecomando e attivarli all'interno del profilo. Ciascun livello viene attivato all'interno di un profilo di servoassistenza preimpostato e la coppia massima e minima del motore potranno essere modificate. Tutti i livelli intermedi attivati a partire dai primi due saranno visualizzati come TRAIL sul telecomando (luce verde sul LED 2). In questa modalità, il livello di servoassistenza selezionato apparirà sul display (nei modelli dotati di display) nella sua posizione all'interno della gamma di livelli attivi, fino a un massimo di 15.

### BASIC MODE



**FINE TUNE (example)**



**PERSONALIZZAZIONE DEI LIVELLI DI SERVOASSISTENZA E SCELTA DEL PROFILO**



**1. Collegare la bici all'app Etube Project Cyclist.**

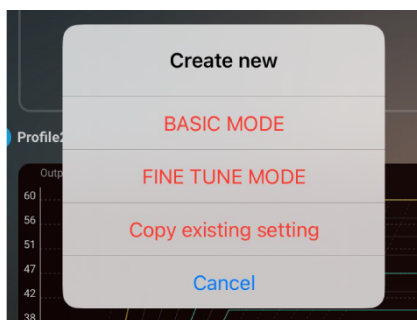
**AVVISO**

Consultare la precedente sezione Selezione dei profili di assistenza per il metodo di connessione della bicicletta all'applicazione mobile Shimano Etube Project Cyclist.

**2. Seleziona l'opzione "Servoassistenza" ("Assist") nel tab Personalizza ("Customise").**



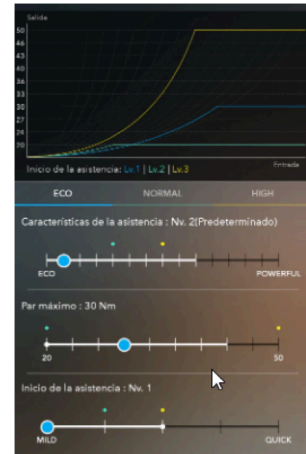
**3. Modificare i profili di servoassistenza tra MODALITÀ BASIC e FINE TUNE** Per default, entrambi i profili di servoassistenza sono impostati sulla MODALITÀ BASIC; per aggiungere una impostazione FINE TUNE, selezionare Aggiungi un'impostazione in uno dei profili e scegliere l'impostazione.



**MODIFICA DEI PARAMETRI DEI LIVELLI DI SERVOASSISTENZA (MODALITÀ BASIC)**

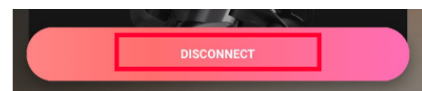
**1. In MODALITÀ BASIC, choose the assist level (ECO, TRAIL, BOOST) and modify its maximum torque,**

character of assistance and start of assist parameters. Per tornare ai valori di default, posizionare i marcatori nella posizione lungo la scala con un punto bianco (Default).



**2. Selezionare applica (Apply) per salvare le modifiche.**

Scollegare la bici dalla app facendo tap su Disconnect.



Consultare il manuale completo per l'app Etube Project Cyclist qui:

<https://si.shimano.com/es/um/7J4MA>

**AVVERTENZE/ERRORI IN RELAZIONE ALL'USO DEL SISTEMA DI SERVOASSISTENZA ELETTRICA**

Quando viene rilevato un errore o un avviso nel sistema, il LED 1 del telecomando lampeggia nel colore rosso. Nelle configurazioni dotate di display SC-EN600, il codice errore o di avvertenza verrà visualizzato sul display.

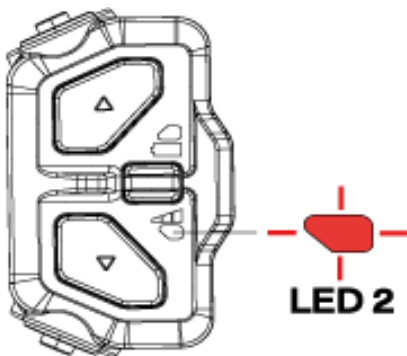
Riavviare la bici e collegarla all'app Shimano Etube Project Cyclist. L'errore identificato e la relativa soluzione saranno visibili nella sezione Manutenzione>Registro errori (Maintenance>Error Log).

E' inoltre possibile consultare il manuale del sistema Shimano EP801/EP6 per conoscere i codici di errore e le rispettive soluzioni. Consultare l'elenco dei codici di errore e degli avvisi del sistema Shimano STEPS e i relativi metodi di risoluzione al seguente link:

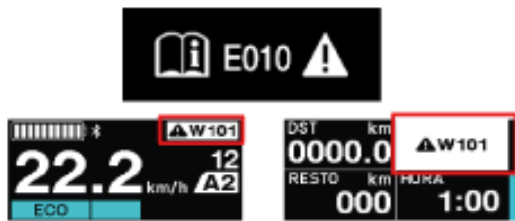
<https://si.shimano.com/es/error>

**AVVISO**

Verificare come collegare la bici all'applicazione Etube Project nella sezione precedente, Selezione dei profili di assistenza.



LED 2



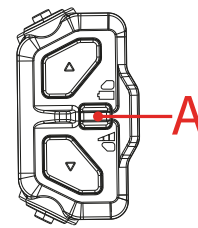
## UTILIZZO DEL DISPLAY CON L'INTERRUTTORE SW-EN600-L

Utilizzando il telecomando SW-EN600-L è possibile navigare nel display SC-EN600 (per i modelli dotati di display). Premere il pulsante A sul comando per spostarsi tra le varie schermate del display e accedere alle informazioni sulla bicicletta, come odometro, distanza, frequenza, ecc. Le schermate secondarie possono essere modificate utilizzando l'app per dispositivi mobili Etube Project Cyclist.

Tenere premuto il tasto A del telecomando per accedere al menu del display e utilizzare i tasti X, Y e A del comando per navigare e selezionare le opzioni del menu.

I profili di servoassistenza 1 e 2 possono essere selezionati tramite il display (per informazioni sulla procedura di selezione del profilo tramite il display, consultare la sezione specifica di questo manuale).

Consultare il manuale del display Shimano SC-EN600 qui: [https://si.shimano.com/es/manual/search?input\\_model=sc-en600](https://si.shimano.com/es/manual/search?input_model=sc-en600)

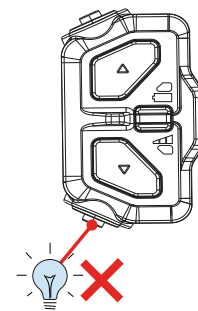


## COLLEGAMENTO LUCI SULLA RISE

### AVVISO

La Rise non è progettata per il collegamento di luci al motore EP801RS/EP6RS, pertanto le porte di collegamento delle luci del motore e il pulsante di accensione/spegnimento delle luci sul telecomando SW-EN600-L sono disabilitati.

Consultare la sezione sul collegamento a Etube Professional nel presente manuale.

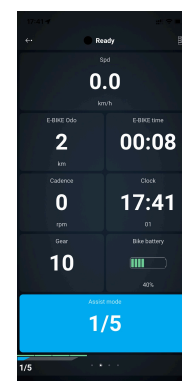


## APP E-TUBE RIDE

L'applicazione per smartphone Shimano Etube Ride consente di collegare la bici con Bluetooth per visualizzare i dati rilevanti come l'odometro, il livello di carica della batteria e così via, soprattutto nelle configurazioni prive di display.

Scarica l'app dall'Apple Store o da Google Play per installarla sul tuo telefono.

Per maggiori informazioni sull'app Etube Rise e sul manuale d'uso, cliccare qui: <https://bike.shimano.com/es-ES/e-tube/ride.html>



## ORBEA RS TOOLBOX. CAMPO DATI PER DISPOSITIVI GARMIN

Orbea RS Toolbox è un'applicazione per dispositivi Garmin che consente di collegare le biciclette elettriche con motori Shimano EP8, EP801 ed EP6 e di aggiungerle all'unità Garmin compatibile come campo dati, consentendo di visualizzare le informazioni rilevanti sulla bici durante il percorso e di

registrare i dati nell'ambito di un'attività in Garmin Connect per visualizzarli in seguito.

Scarica e installa Orbea RS Toolbox sul tuo dispositivo compatibile Garmin dal [Garmin Connect IQ store](#).

Consultare il manuale sui campi dati Orbea RS Toolbox al seguente link:

[Manuale utente Orbea RS Toolbox](#)

## REGOLAZIONE AMMORTIZZATORE

### REGOLAZIONE FORCELLA AMMORTIZZATA

#### FORCELLE FOX 34 (RISE SL)

Per le forcelle ammortizzate montate sui singoli modelli, consultare il manuale d'uso del produttore.

Fare clic sui seguenti link per accedere alla documentazione:

[Pagina principale manuali Fox](#)

[Forcella Fox 34 Float Performance Grip 140 mm](#)

[Forcella Fox 34 Float AWL Sport RAIL 140 mm](#)

Le tabelle seguenti forniscono valori indicativi. I valori potranno variare in base allo stile di guida e alle caratteristiche del terreno.

#### PRESSIONE ARIA INIZIALE CONSIGLIATA PER LA REGOLAZIONE DEL SAG PER LE FORCELLE FOX 34 FLOAT PERFORMANCE E AWL SPORT

Peso del ciclista		Pressione dell'aria (psi)	
(libbre)	(kg)	34 Float Performance GRIP	34 Float AWL Sport RAIL
120-130	54-59	64	65
130-140	59-64	69	70
140-150	64-68	74	74
150-160	68-73	78	80
160-170	73-77	83	85
170-180	77-82	88	90
180-190	82-86	92	96
190-200	86-91	97	101
200-210	91-95	102	106
210-220	95-100	106	111
220-230	100-104	111	116
230-240	104-109	116	121
240-250	109-113	120	126

#### VALORI SAG CONSIGLIATI

Escursione	SAG 15% (Rigida)	SAG 20% (morbida)
140 mm / 5,5 pollici	21 mm / 0,8 pollici	28 mm / 1,1 pollici

### REGOLAZIONE DEL REBOUND CONSIGLIATA PER LE FORCELLE FOX 34 FLOAT PERFORMANCE E AWL SPORT

La regolazione del rebound dipende dalla pressione dell'aria nell'ammortizzatore. Quanto più aumenta la pressione dell'aria, tanto più chiuso dovrà essere il circuito di rebound.

Utilizzare la pressione finale dell'aria della forcella per trovare la regolazione del rebound. Ruotare il registro per il rebound sulla posizione chiusa (senso orario). Quindi contare i "clic" fino al numero indicato nella tabella, ruotando in senso antiorario.

Peso del ciclista		Regolazione Rebound ("Clic")	
(libbre)	(kg)	34 Float Performance GRIP	34 Float AWL Sport RAIL
120-130	54-59	13	10
130-140	59-64	12	9
140-150	64-68	11	9
150-160	68-73	10	8
160-170	73-77	9	8
170-180	77-82	8	7
180-190	82-86	7	7
190-200	86-91	6	6
200-210	91-95	5	5
210-220	95-100	4	3
220-230	100-104	3	2
230-240	104-109	2	1
240-250	109-113	1	1

### REGOLAZIONE DELLA COMPRESSIONE (34 PERFORMANCE GRIP)

**Microregolazione a 3 posizioni:** La microregolazione a 3 posizioni è utile per effettuare regolazioni rapide e controllare le prestazioni della forcella in presenza di condizioni del terreno variabili. La leva per la compressione viene utilizzata per effettuare le regolazioni durante l'utilizzo della bici. Ruotando la leva completamente in senso antiorario, la compressione rimane in modalità Open. Lasciando la leva in posizione centrale, la forcella rimane in modalità Media. Ruotando la leva completamente in senso orario, la compressione rimane in modalità Firm (Rigida). Le posizioni intermedie tra le 3 modalità possono essere utilizzate per regolare la compressione per incrementi minori. FOX consiglia di iniziare con la leva in modalità Open.

### REGOLAZIONE DELLA COMPRESSIONE (34 AWL SPORT RAIL)

La forcella Fox 34 AWL Sport montata sulla Rise SL non offre la regolazione della compressione.

### RIDUTTORI VOLUME ARIA

Modificando il numero di riduttori del volume d'aria della forcella è possibile regolare ulteriormente la sensibilità della forcella.

#### Configurazione dei riduttori sulla forcella Fox 34 Float Performance

Escursione	Riduttori volume installati in fabbrica	N.ro Max riduttori 10 cc
140 mm	1	5

#### Configurazione dei riduttori sulla forcella Fox 34 AWL Sport

Escursione	Riduttori volume installati in fabbrica	N.ro max riduttori
140 mm	3	4

### FORCELLE FOX 36 FLOAT (RISE LT)

Per le forcelle ammortizzate montate sui singoli modelli, consultare il manuale d'uso del produttore.

Fare clic sui seguenti link per accedere alla documentazione:

[Pagina principale manuali Fox](#)

[Forcella Fox 36 Float Performance Grip 160 mm](#)

[Forcella Fox 36 Float Factory Grip X 160 mm](#)

[Forcella Fox 36 Float AWL HD Sport RAIL 160 mm](#)

Le tabelle seguenti forniscono valori indicativi. I valori potranno variare in base allo stile di guida e alle caratteristiche del terreno.

### PRESSIONE ARIA INIZIALE CONSIGLIATA PER LA REGOLAZIONE DEL SAG PER LE FORCELLE FOX 36

Peso del ciclista		Pressione dell'aria (psi)	
(libbre)	(kg)	36 Float Performance GRIP/ Factory GRIP X	36 Float AWL HD Sport RAIL
120-130	54-59	66	71
130-140	59-64	70	76
140-150	64-68	74	81
150-160	68-73	78	85
160-170	73-77	82	90
170-180	77-82	86	95
180-190	82-86	89	99
190-200	86-91	94	104
200-210	91-95	99	109
210-220	95-100	105	113
220-230	100-104	109	115
230-240	104-109	113	117
240-250	109-113	117	120

### VALORI SAG CONSIGLIATI

Escursione	SAG 15% (Rigida)	SAG 20% (morbida)
160 mm/5,5 pollici	24 mm/0,9 pollici	32 mm/1,3 pollici

### REGOLAZIONE CONSIGLIATA DEL REBOUND PER LE FORCELLE FOX 36 FLOAT

La regolazione del rebound dipende dalla pressione dell'aria nell'ammortizzatore. Quanto più aumenta la pressione dell'aria, tanto più chiuso dovrà essere il circuito di rebound.

Utilizzare la pressione finale dell'aria della forcella per trovare la regolazione del rebound. Ruotare il registro per il rebound sulla posizione chiusa (senso orario). Quindi contare i "clic" fino al numero indicato nella tabella, ruotando in senso antiorario.

Peso del ciclista		Regolazione Rebound ("Clic")		
(libbre)	(kg)	36 Float Perf. GRIP	36 Float Fact. GRIP X (LSR)	36 Float AWL HD Sport RAIL
120-130	54-59	13	16	10
130-140	59-64	12	14	9
140-150	64-68	11	12	9
150-160	68-73	10	10	8
160-170	73-77	9	9	8
170-180	77-82	8	8	7
180-190	82-86	7	7	7
190-200	86-91	6	6	6
200-210	91-95	5	5	5
210-220	95-100	4	4	3
220-230	100-104	3	3	2
230-240	104-109	2	2	1
240-250	109-113	1	1	1

### REGOLARE LA COMPRESSIONE (36 GRIP)

**Microregolazione a 3 posizioni:** La microregolazione a 3 posizioni è utile per effettuare regolazioni rapide e controllare le prestazioni della forcella in presenza di condizioni del terreno variabili. La leva per la compressione viene utilizzata per effettuare le regolazioni durante l'utilizzo della bici. Ruotando la leva completamente in senso antiorario, la compressione rimane in modalità Open. Lasciando la leva in posizione centrale, la forcella rimane in modalità Media. Ruotando la leva completamente in senso orario, la compressione rimane in modalità Firm (Rigida). Le posizioni intermedie tra le 3 modalità possono essere utilizzate per regolare la compressione per incrementi minori. FOX consiglia di iniziare con la leva in modalità Open.

### REGOLARE LA COMPRESSIONE (36 GRIP X)

Utilizzare le impostazioni riportate nella seguente tabella come impostazioni di partenza. Impostare i registri della compressione sulla posizione Closed (ruotati a fondo in senso orario). Quindi contare i "clic" fino al numero indicato nella tabella, ruotando in senso antiorario.

Dalla posizione di partenza consigliata, l'apertura del circuito di compressione (in senso antiorario) renderà la forcella più morbida, mentre la sua chiusura (in senso orario) la renderà più rigida.

### Posizione di regolazione iniziale della compressione consigliata ("Clic")

#### High Speed Compression (HSC)

Controlla il comportamento degli ammortizzatori in caso di impatti violenti, atterraggi e ostacoli a spigolo vivo.

10

#### Low Speed Compression (LSC)

Controlla il comportamento degli ammortizzatori durante la pedalata, i cambi di peso, i fine corsa e i cambi marcia lenti

10

### REGOLAZIONE DELLA COMPRESSIONE (36 AWL HD SPORT RAIL)

La forcella Fox 34 AWL Sport montata sulla Rise SL non offre la regolazione della compressione.

### RIDUTTORI VOLUME ARIA:

Modificando il numero di riduttori del volume d'aria della forcella è possibile regolare ulteriormente la sensibilità della forcella.

#### Configurazione dei riduttori sulla forcella FOX Float 36

Escursione	Riduttori volume installati in fabbrica	N.ro Max riduttori 10 cc
160 mm	2	6

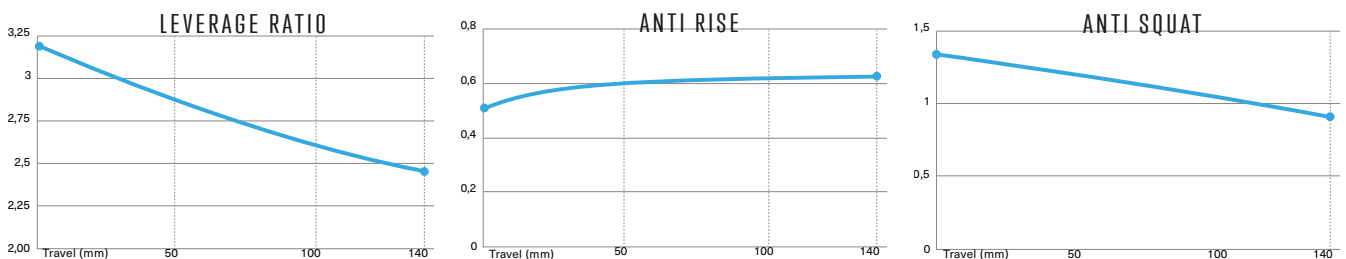
#### Configurazione dei riduttori sulla forcella Fox 36 AWL HD Sport

Escursione	Riduttori volume installati in fabbrica	N.ro max riduttori
140 mm	3	6

## REGOLAZIONE AMMORTIZZATORI

### REGOLAZIONE AMMORTIZZATORI RISE SL

#### CURVE CINEMATICHE SOSPENSIONI PER LA RISE SL



Per le forcelle ammortizzate montate sui vari modelli, consultare il manuale d'uso del produttore.

Fare clic sui seguenti link per accedere alla documentazione:

[Pagina principale manuali Fox](#)

[2025 Fox Float Performance](#)



## SPECIFICHE AMMORTIZZATORI FOX SULLA RISE SL

FOX FLOAT PERFORMANCE 210x50	2025, FLOAT, P-S, A, 2pos, Evol LV, Orbea, Rise SL, 210, 50, Distanziale 0,6, CM1.1, SCLRM5, CML
------------------------------	--

## SUGGERIMENTI PER LA REGOLAZIONE DELLA PRESSIONE DELL'ARIA PER GLI AMMORTIZZATORI FOX FLOAT X SULLA RISE SL

Regolare la pressione dell'aria dell'ammortizzatore fino a raggiungere il SAG desiderato. Misurare sempre il SAG con il registro per la regolazione della compressione impostato su Open.

Le tabelle che seguono riportano valori indicativi che potranno variare a seconda dello stile di guida e delle condizioni del terreno.

Misura del SAG consigliato	25–30%
Equivalente in mm di SAG 25% nell'ammortizzatore 210x50	13 mm.
Equivalente in mm di SAG 30% nell'ammortizzatore 210x50	15 mm.

Regolare la pressione dell'aria dell'ammortizzatore fino a raggiungere il SAG desiderato. Un SAG del 25% garantirà una sensazione di rigidità con maggiore sostegno, mentre un SAG del 30% offrirà una guida più morbida.

## SUGGERIMENTI PER LA REGOLAZIONE DEL REBOUND DEGLI AMMORTIZZATORI FOX SULLA RISE SL

Una volta raggiunto il sag desiderato, regolare il rebound (ritorno) in base alla pressione dell'aria nella sospensione.

Utilizzare la pressione finale dell'aria dell'ammortizzatore per trovare la regolazione del rebound (ritorno). Ruotare il registro per il rebound o la compressione sulla posizione chiusa (Closed, a fondo in senso orario). Quindi contare i "clic" ruotando in senso antiorario come indicato qui sotto.

Pressione dell'aria (psi)	Impostazione rebound consigliata (clic)
< 100	10
100–120	10
120–140	9
140–160	8
160–180	7
180–200	6
200–220	5
220–240	4
240–260	3
260–280	2
280–300	1

## REGOLAZIONE COMPRESSIONE AMMORTIZZATORI FOX FLOAT SULLA RISE SL

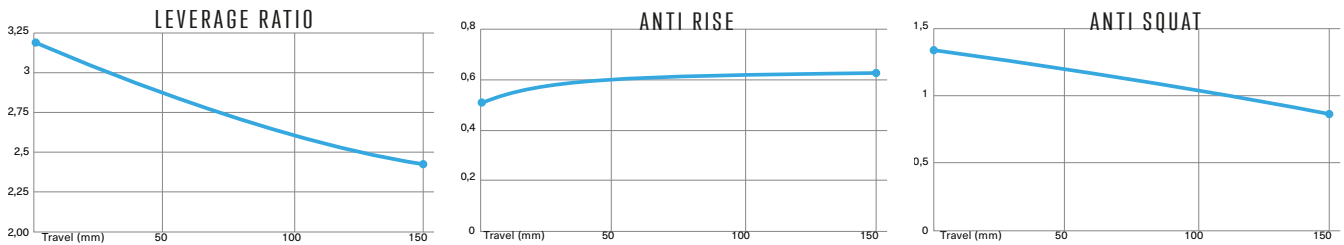
**Leva a 2 posizioni:** la leva a 2 posizioni è utile per effettuare regolazioni in corsa, per controllare il comportamento dell'ammortizzatore in caso di significative variazioni del terreno affrontato. La modalità Open può essere utilizzata per le discese tecniche e la modalità Firm per affrontare salite con pendenze relativamente costanti. Fox consiglia di iniziare con la posizione Open.

## RIDUTTORI VOLUME SUGLI AMMORTIZZATORI FOX FLOAT

È possibile regolare la progressività dell'ammortizzatore installando dei riduttori del volume dell'aria, acquistabili presso un rivenditore autorizzato Fox.

## REGOLAZIONE AMMORTIZZATORI RISE LT

### CURVE CINEMATICHE SOSPENSIONI PER RISE LT



Per le forcelle ammortizzate montate sui vari modelli, consultare il manuale d'uso del produttore.

Fare clic sui seguenti link per accedere alla documentazione:

[Pagina principale manuali Fox](#)

[2025 Fox Float Performance/Factory](#)

[2025 Fox Float X Performance/Factory](#)

[2025 Fox DHX Factory](#)

### SPECIFICHE AMMORTIZZATORI FOX SULLA RISE LT

FOX FLOAT PERFORMANCE 210x55	2025, FLOAT, P-S, A, 2pos, Evol LV, Orbea, Rise LT, 210, 55, Distanziale 0,6, CM1.1, SCLRM5, CML.
FOX FLOAT X PERFORMANCE 210x55	2025, FLOAT X, P-S, A, 2 pos., Evol LV, Orbea, Rise LT, 210, 55, Distanziale 0,5, CS30, RL60, LML, Rezi B40
FOX FLOAT X FACTORY 210x55	2025, FLOAT X, F-S, K, reg. 2 pos., Evol LV, Orbea, Rise LT, 210, 55, Distanziale 0,5, CS30, RL60, LML, Rezi B40
FOX DHX FACTORY 210x55	2025, DHX, F-S, Cr, reg. 2 pos., Orbea, Rise LT, 210, 55, 400 lbs/in, SLS, CS40, RL60, LMM, Rezi B60

### SUGGERIMENTI PER LA REGOLAZIONE DELLA PRESSIONE DELL'ARIA PER GLI AMMORTIZZATORI FOX FLOAT/FLOAT X

Regolare la pressione dell'aria dell'ammortizzatore fino a raggiungere il SAG desiderato. Misurare sempre il SAG con il registro per la regolazione della compressione impostato su Open.

Le tabelle che seguono riportano valori indicativi che potranno variare a seconda dello stile di guida e delle condizioni del terreno.

<b>Misura del SAG consigliato</b>	<b>25-30%</b>
Equivalentente in mm di SAG 25% nell'ammortizzatore 210x55	14 mm.
Valore in mm equivalentente a un valore di SAG del 30% nell'ammortizzatore 210x55	17 mm.

Regolare la pressione dell'aria dell'ammortizzatore fino a raggiungere il SAG desiderato. Un SAG del 25% garantirà una sensazione di rigidità con maggiore sostegno, mentre un SAG del 30% offrirà una guida più morbida.

### SUGGERIMENTI PER LA REGOLAZIONE DEL REBOUND DEGLI AMMORTIZZATORI FOX FLOAT Y E FLOAT X SULLA RISE LT

Una volta raggiunto il sag desiderato, regolare il rebound (ritorno) in base alla pressione dell'aria nella sospensione.

Utilizzare la pressione finale dell'aria dell'ammortizzatore per trovare la regolazione del rebound (ritorno). Ruotare il registro per il rebound o la compressione sulla posizione chiusa (Closed, a fondo in senso orario). Quindi contare i "clic" ruotando in senso antiorario come indicato qui sotto.

Pressione dell'aria (psi)	Impostazione rebound consigliata (clic)
< 100	10
100-120	10
120-140	9
140-160	8
160-180	7
180-200	6
200-220	5
220-240	4
240-260	3
260-280	2
280-300	1

### REGOLAZIONE COMPRESSIONE AMMORTIZZATORI FOX FLOAT SULLA RISE LT

**Leva a 2 posizioni:** la leva a 2 posizioni è utile per effettuare regolazioni in corsa, per controllare il comportamento dell'ammortizzatore in caso di significative variazioni del terreno affrontato. La modalità Open può essere utilizzata per le discese tecniche e la modalità Firm per affrontare salite con pendenze relativamente costanti. Fox consiglia di iniziare con la posizione Open.

**Regolazione della modalità Open (Factory Float):** questa impostazione è utile per regolare gli ammortizzatori in caso di variazioni di peso del ciclista, di frequenti fine corsa dell'ammortizzatore e di cambiamenti progressivi del terreno. Sollevare il registro di regolazione in posizione Open, impostarlo su una delle posizioni disponibili (1, 2, 3), e premere il registro per registrare l'impostazione. Fox consiglia di iniziare con la posizione 1.

### REGOLAZIONE COMPRESSIONE AMMORTIZZATORI FOX FLOAT X

**Leva a 2 posizioni:** la leva a 2 posizioni è utile per effettuare regolazioni in corsa, per controllare il comportamento dell'ammortizzatore in caso di significative variazioni del terreno affrontato. La modalità Open può essere utilizzata per le discese tecniche e la modalità Firm per affrontare salite con pendenze relativamente costanti. Fox consiglia di iniziare con la posizione Open. La posizione Open utilizzerà le impostazioni LSC (Low Speed Compression).

**LSC (LOW SPEED COMPRESSION):** Il registro LSC consente le regolazioni LSC. Ruotare il registro in senso orario per aumentare la compressione e in senso antiorario per ridurre la compressione. Fox consiglia di iniziare con il registro nella posizione Open (ruotato a fondo in senso orario).

Le regolazioni della compressione LSC (bassa velocità) avranno effetto solo se la leva a due posizioni sarà impostata su Open.

### RIDUTTORI VOLUME SUGLI AMMORTIZZATORI FOX FLOAT X

È possibile regolare la progressività dell'ammortizzatore installando dei riduttori del volume dell'aria, acquistabili presso un rivenditore autorizzato Fox.

Misura	Riduttori volume installati in fabbrica	Volume massimo dei riduttori
210x55	0,5	1,0

### SUGGERIMENTI REGOLAZIONE PRECARICO PER AMMORTIZZATORI DHX

Le tabelle che seguono riportano valori indicativi che potranno variare a seconda dello stile di guida e delle condizioni del terreno.

<b>Misura del SAG consigliato</b>	<b>30%</b>
Valore in mm equivalente a un valore di SAG del 30% nell'ammortizzatore 210x55	16,5 mm.

## REGOLAZIONE COMPRESSIONE AMMORTIZZATORI FOX DHX

**Leva a 2 posizioni:** la leva a 2 posizioni è utile per effettuare regolazioni in corsa, per controllare il comportamento dell'ammortizzatore in caso di significative variazioni del terreno affrontato. La modalità Open può essere utilizzata per le discese tecniche e la modalità Firm per affrontare salite con pendenze relativamente costanti. Fox consiglia di iniziare con la posizione Open. La posizione Open utilizzerà le impostazioni LSC (Low Speed Compression).

**LSC (LOW SPEED COMPRESSION):** Il registro LSC consente le regolazioni LSC. Ruotare il registro in senso orario per aumentare la compressione e in senso antiorario per ridurre la compressione. Fox consiglia di iniziare con il registro nella posizione Open (ruotato a fondo in senso orario).

Le regolazioni della compressione LSC (bassa velocità) avranno effetto solo se la leva a due posizioni sarà impostata su Open.

## REGOLAZIONE REBOUND AMMORTIZZATORI FOX DHX

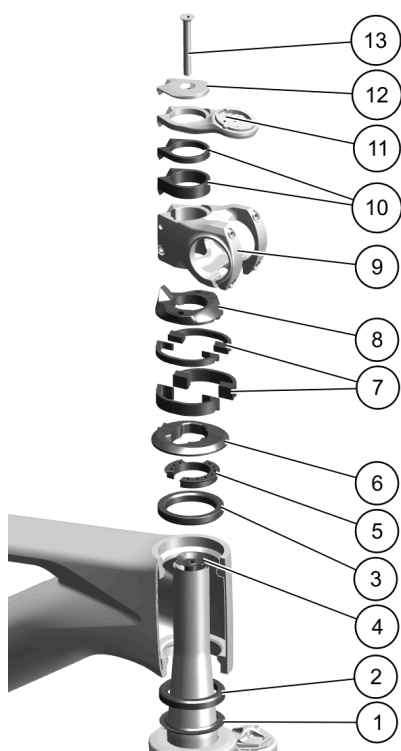
Il registro del rebound (ritorno) regola la velocità con cui l'ammortizzatore si estende dopo essere stato compresso. Ruotando il registro del rebound in senso orario si rallenta l'estensione dell'ammortizzatore, mentre ruotandolo in senso antiorario la si accelera. Fox consiglia di iniziare con il registro nella posizione centrale.

## 09 SERIE STERZO HS02

### AVVISO

Questa sezione illustra le modalità di montaggio della serie sterzo ICR HS02 sulla Rise. Per una panoramica su questi standard Orbea per le serie sterzo, e per le istruzioni di montaggio, gli accessori e così via, consultare il manuale specifico [Standard Orbea per le serie sterzo ICR](#) sul nostro sito: ([Assistenza > Manuali > Tecnologie](#)).

### ELEMENTI SERIE STERZO HS02 SULLA RISE HYDRO



1. Pista di scorrimento della forcella 1-1/2"
2. Cuscinetto inferiore 1-1/2"
3. Cuscinetto superiore 1-1/2"
4. Dado a stella canotto forcella in alluminio
5. Anello di compressione HS02-01
6. Tappo serie sterzo HS02-14 per telaio
7. Distanziali spaccati serie sterzo HS02-03/04 5/10 mm
8. Collettore SIC Stack Normale HS02-05
9. Serie sterzo OC Mountain Control (vd. sezione Attacchi manubrio di questo manuale)
10. Distanziali serie sterzo HS02-07/08 5/10 mm
11. OC CM-05 Supporto GPS (vd. sezione specifica di questo manuale)
12. Tappo attacco manubrio MC HS02-31
13. Bullone di prearico della serie sterzo

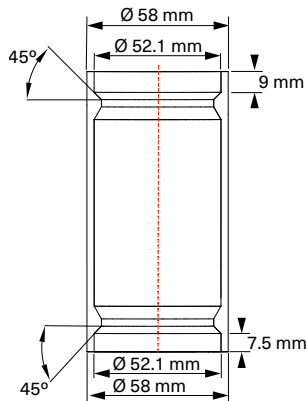
### AVVISO

Consultare la sezione ricambi di questo manuale per trovare i codici dei ricambi.



## SPECIFICHE SERIE STERZO HS02 PER LA RISE

### DIMENSIONI DEL TUBO STERZO



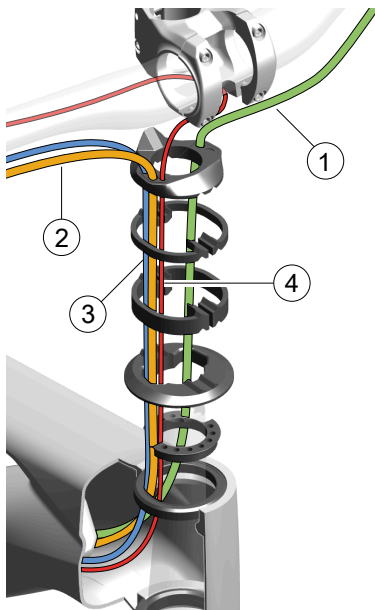
### SPECIFICHE DELLA SERIE STERZO. RISE 2025

	TOP	INFERIORE
<b>TIPO</b>	Cuscinetto integrato 1-1/8" 1-1/2" con adattatore SIC 1-1/8"	1-1/2" Integrato
<b>ID*</b>	52,1 mm	52,1 mm
<b>OD**</b>	58 mm	58 mm
<b>Angolo pista di scorrimento</b>	45°	45°
<b>Angolo anello compressione / pista forcella</b>	45°	45°
<b>CODICE SHIS</b>	IS52/40	IS52/40
<b>Dimensioni dei cuscinetti</b>	Cuscinetto a contatto angolare 52x40x7 mm	Cuscinetto a contatto angolare 52x40x7 mm
<b>OPZIONE COLLETORE "STACK BASSO"</b>	No	—
<b>FUNZIONE SPINBLOCK (Limitatore di rotazione)</b>	No	—

\* ID: Diametro interno tubo sterzo. \*

\*\* OD: Diametro esterno tubo sterzo.

## PASSAGGIO DEI CAVI NELLA SERIE STERZO HS02 SULLA RISE

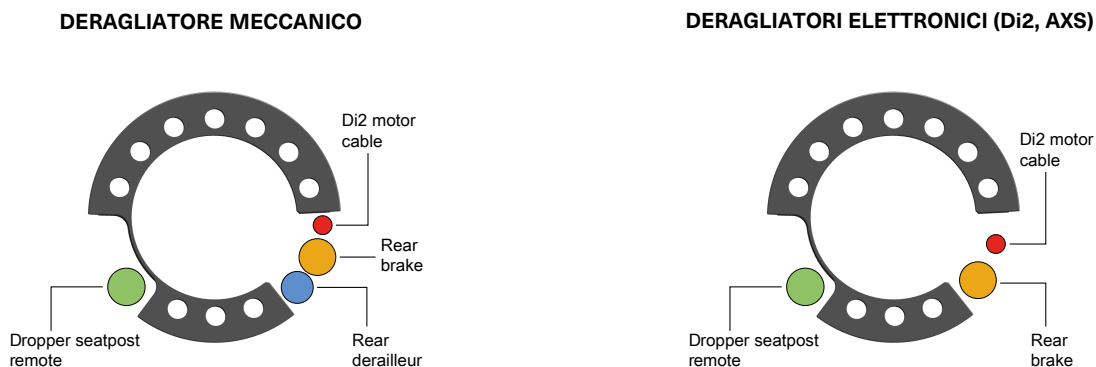


1. Comando reggisella telescopico
2. Freno posteriore\*
3. Deragliatore posteriore (meccanico)
4. Cavo motore Di2 \*\*

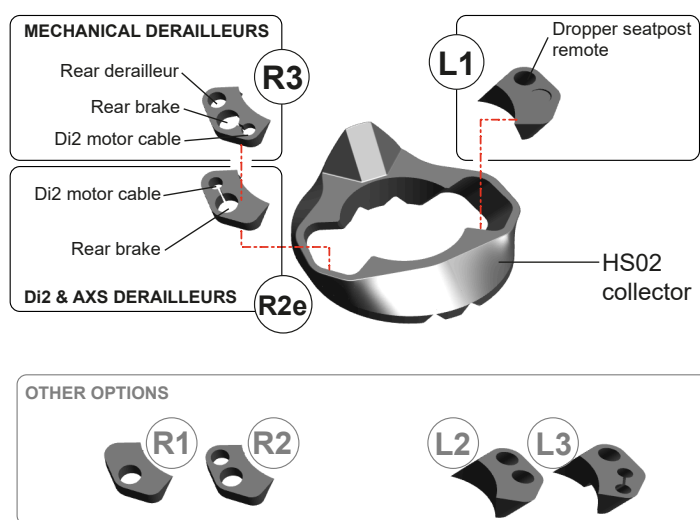
\*Nelle configurazioni con freno posteriore cablato sx, il tubo del freno entra nella serie sterzo sul lato destro del collettore.

\*\*Per ulteriori dettagli sul cablaggio dei componenti Shimano attraverso l'attacco manubrio e il manubrio, consultare la sezione sull'impianto elettrico in questo manuale.

## POSIZIONE DEI CAVI NELL'ANELLO DI COMPRESSIONE DELLA SERIE STERZO



## GUARNIZIONI SIC PER L'INGRESSO DEI CAVI NEL COLLETTORE HS02



Vd. il manuale [Standard Orbea per Serie sterzo ICR](#) per ulteriori dettagli sulle opzioni per le guarnizioni SIC non utilizzate nelle configurazioni standard.

## INSTALLAZIONE DELLA SERIE STERZO HS02

### AVVISO

La posizione dei cavi nella serie sterzo e i componenti specifici per il montaggio sulla Rise sono illustrati nelle sezioni precedenti di questo manuale tecnico.

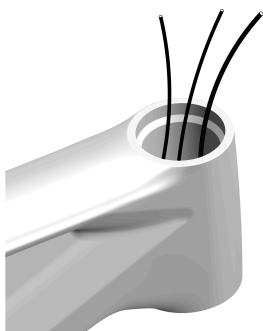
### AVVISO

Si forniscono linee guida generali per il montaggio delle serie sterzo HS02. L'installazione della serie sterzo HS02 comporta l'installazione delle linee dei freni e dei deragliatori fino alle leve ed eventualmente lo spurgo dei tubi dei freni idraulici. Se l'utente non dispone delle competenze meccaniche necessarie per eseguire queste operazioni e garantire un'installazione sicura, consigliamo di affidare la bici a un rivenditore autorizzato per eseguire l'installazione. I danni ai componenti causati da installazioni non corrette non sono coperti dalle condizioni di garanzia.

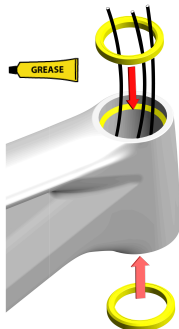


L'installazione non corretta della serie sterzo e/o delle linee dei freni e dei deragliatori può causare incidenti e lesioni gravi e potenzialmente letali.

1



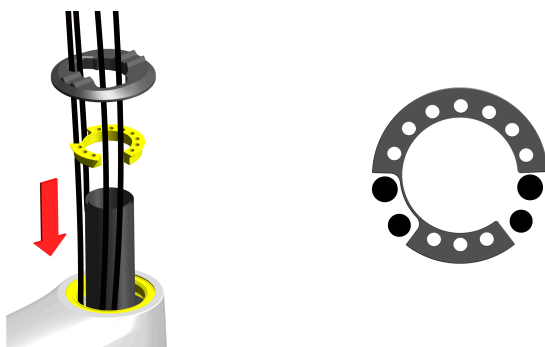
2



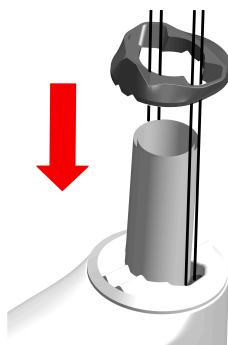
3



4



5



1. Far passare le linee del freno posteriore, del reggisella telescopico, dell'ammortizzatore e dei deragliatori (se si utilizzano trasmissioni meccaniche) e farle uscire attraverso la parte superiore del tubo di sterzo.

I componenti cablati attraverso la serie sterzo variano a seconda della configurazione specifica. Per informazioni dettagliate sui componenti cablati attraverso la serie sterzo HS02, consultare le sezioni precedenti di questo manuale.

2. Applicare il grasso di montaggio spalmandolo sulle guaine a telaio e i cuscinetti del tubo di sterzo superiore e inferiore e installarli nel telaio, facendo passare le linee di freni e deragliatori attraverso di essi.

3. Inserire la forcella. Con la pista di scorrimento inferiore già installata nel canotto forcella e dopo aver precedentemente installato o dado a stella (o l'expander nelle forcelle con canotto in carbonio) e fissato la vite di precarico dell'attacco manubrio nel canotto forcella

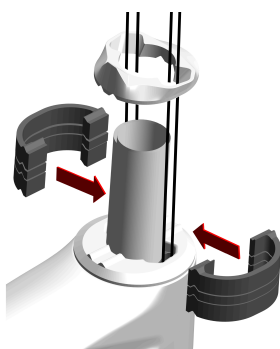
4. Installare l'anello di compressione facendo passare le linee dei freni e le guaine dei deragliatori, ecc., attraverso i canali di cablaggio e dirigendoli verso la loro posizione di montaggio sul manubrio. Quindi installare il coperchio della serie sterzo.

I componenti cablati attraverso la serie sterzo variano a seconda della configurazione specifica. Per informazioni dettagliate sui componenti cablati attraverso la serie sterzo HS02, consultare le sezioni precedenti di questo manuale.

5. Installare il collettore SIC. Se si utilizzano attacchi manubrio specifici OC, dovrà essere installato il collettore HS02-05 con profilo specifico. Per installare attacchi manubrio standard, dovrà essere utilizzato il collettore HS02-06 universale (vd. la sezione Accessori del presente manuale).

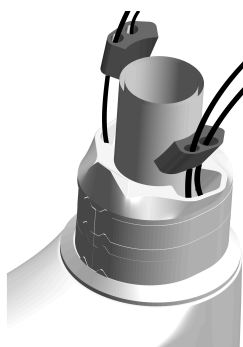


6



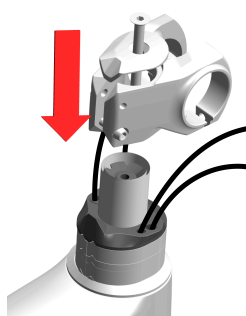
6. Installare i distanziali spaccati HS02 da 5 o 10 mm necessari (verificare nella tabella delle specifiche tecniche l'altezza massima consentita dei distanziali per la serie sterzo sotto l'attacco manubrio per il modello di bici in uso).

7



7. Installare i gommini per cablaggio specifici per il montaggio della bici (vd. sezione cablaggio serie sterzo HS02).

8



8. Installare l'attacco manubrio OC compatibile con la serie sterzo HS02. Consultare la sezione sugli attacchi manubrio di questo manuale per le istruzioni di installazione specifiche per ciascun modello di attacco manubrio OC.

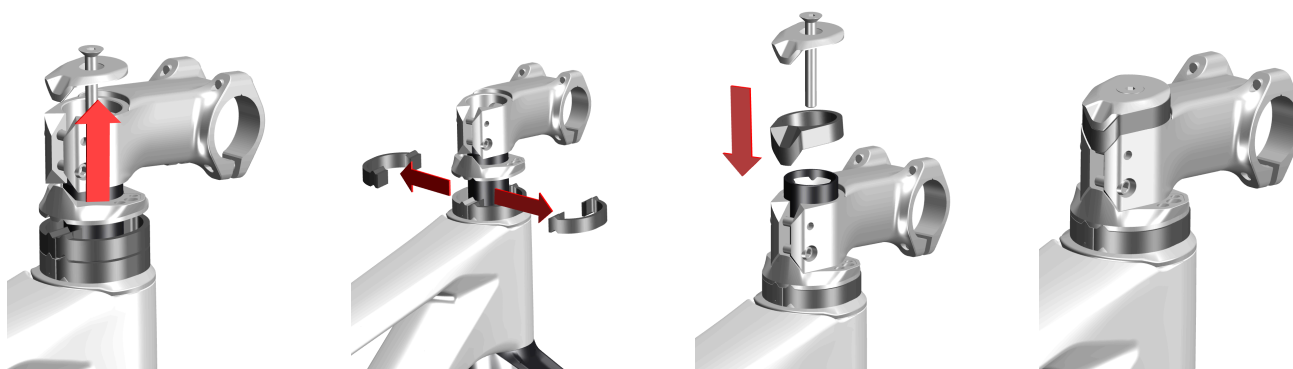
## AGGIUNTA E RIMOZIONE DI DISTANZIALI PER SERIE STERZO.

Nelle configurazioni con serie sterzo HS02 è possibile regolare l'altezza dell'attacco manubrio aggiungendo o togliendo i distanziali della serie sterzo. I distanziali da 5 e 10 mm HS02-03 e 04 possono essere divisi in due metà per consentirne la rimozione senza interferire con il cablaggio.

In caso di rimozione di distanziali della serie sterzo al di sotto dell'attacco manubrio, se il canotto forcella non è stato tagliato per adattarlo alla nuova posizione dell'attacco, sarà necessario installare sopra l'attacco distanziali della serie sterzo per uno spessore in millimetri pari a quello dei distanziali rimossi al di sotto dell'attacco manubrio. Gli attacchi manubrio HS02 OC sono dotati di distanziali specifici per l'installazione sulla parte superiore dell'attacco, si tratta dei distanziali HS02-07 e 08 per la serie sterzo.

### AVVISO

In caso di rimozione di distanziali della serie sterzo al di sotto dell'attacco manubrio, se il canotto forcella non è stato tagliato per adattarlo alla nuova posizione dell'attacco, sarà necessario installare sopra l'attacco distanziali della serie sterzo per uno spessore in millimetri pari a quello dei distanziali rimossi al di sotto dell'attacco manubrio. Gli attacchi manubrio HS02 OC sono dotati di distanziali specifici per l'installazione sopra l'attacco, si tratta dei distanziali HS02-07 e 08 per la serie sterzo.

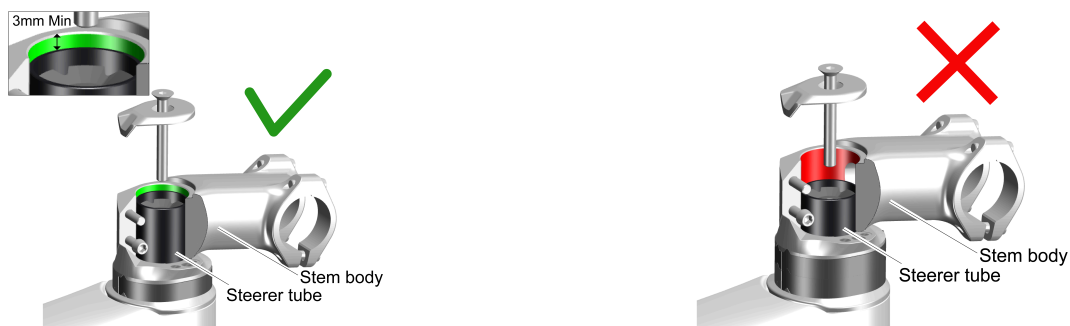


### Numero massimo di distanziali per la serie sterzo.

Verificare il numero massimo di distanziali per la serie sterzo consentito dal modello Orbea con serie sterzo HS02. Non installare più distanziali di quelli specificati per il modello in oggetto.

Quando si installano i distanziali, verificare che la lunghezza del canotto forcella sia sufficiente a consentire il montaggio corretto e sicuro dell'attacco manubrio e che la lunghezza dei cavi lo consenta. Il margine superiore del canotto forcella dovrebbe trovarsi sopra il bullone di fissaggio superiore dell'attacco manubrio. Quando si installano i distanziali della serie sterzo sopra l'attacco manubrio, il margine superiore del canotto forcella dovrà essere il più vicino possibile al margine superiore del distanziale della serie sterzo più alto, consentendo comunque la corretta installazione del tappo superiore dell'attacco manubrio per precaricare correttamente la serie sterzo.

Per consentire il corretto precarico della serie sterzo, la distanza tra la parte superiore del canotto forcella e la superficie di installazione del tappo di precarico dell'attacco manubrio dovrà essere di almeno 3 mm.



### AVVISO

Per aggiungere o rimuovere distanziali per la serie sterzo sarà necessario allentare e reinstallare l'attacco manubrio. Consultare le istruzioni di montaggio e verificare le coppie di serraggio degli attacchi manubrio OC nel manuale specifico per gli attacchi OC MTB.

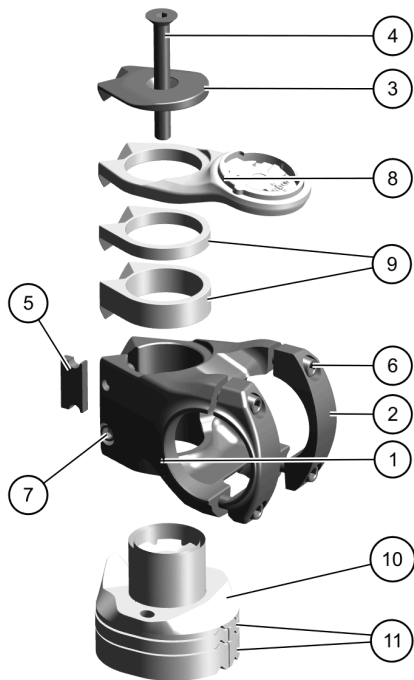


### Uso del dado a stella o dell'expander nel canotto forcella

Per fissare la vite di precarico dell'attacco manubrio è necessario installare un expander o un dado a stella all'interno del canotto forcella. Utilizzare esclusivamente un expander per le forcelle con canotto in carbonio e un dado a stella per le forcelle con canotto in alluminio. L'utilizzo di componenti diversi da quelli indicati per ciascuna specifica installazione può causare danni ai materiali che potrebbero comportare rotture o incidenti. I danni ai materiali dovuti all'uso di componenti non adeguati non saranno coperti dalla garanzia.

# 10 ATTACCHI MANUBRIO

## ATTACCHI MANUBRIO OC ST-MC10 / ST-MC20. ELEMENTI



1. Corpo dell'attacco manubrio
2. Piastra anteriore
3. Tappo attacco manubrio MC
4. Vite precarico serie sterzo
5. Limitatore di serraggio area serraggio forcella
6. Bulloni fissaggio piastra anteriore
7. Bulloni morsetto forcella
8. Supporto GPS OC CM-05\*
9. Distanziali serie sterzo\*\* HS02-07/08 (5/10 mm)
10. Collettore SIC
11. Distanziali spaccati serie sterzo\*\* HS02-03/04 5/10 mm

\*Vd. sezione supporto GPS di questo manuale

\*\*Vd. [Sezione Serie Sterzodi](#) questo manuale

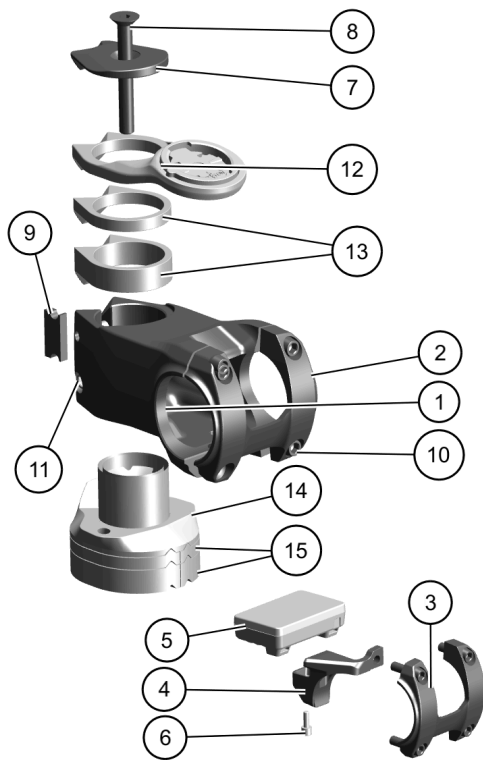
### AVVISO

Consultare la sezione ricambi di questo manuale per trovare i codici dei ricambi.



## ATTACCO MANUBRIO OC ST-MC11. ELEMENTI

L'attacco manubrio OC MC11 non è montato di serie e non è compreso tra le opzioni con l'acquisto una Rise Hydro, ma è compatibile con il telaio e può essere acquistato come componente aftermarket sul sito web di Orbea.



1. Corpo dell'attacco manubrio
2. Piastra anteriore standard (configurazioni senza supporto per display Shimano)
3. Piastra anteriore D-EN600 (configurazioni con supporto per display SC-EN600 Shimano)
4. Supporto per display SC-EN600 Shimano (con piastra specifica)
5. Display Shimano SC-EN600
6. Bullone display Shimano SC-EN600
7. Tappo attacco manubrio MC
8. Vite precarico serie sterzo
9. Limitatore di serraggio area serraggio forcella
10. Bulloni fissaggio piastra anteriore
11. Bulloni morsetto forcella
12. Supporto GPS OC CM-05\*
13. Distanziali serie sterzo\*\* HS02-07/08 (5/10 mm)
14. Collettore SIC
15. Distanziali spaccati serie sterzo\*\* HS02-03/04 5/10 mm

\*Vd. sezione supporto GPS di questo manuale

\*\*Vd. [Sezione Serie Sterzodi](#) questo manuale

### AVVISO

La piastra anteriore D-EN600 (3) e il supporto per display SC-EN600 (4) dell'attacco manubrio ST-MC11 non sono compatibili con l'installazione negli attacchi manubrio OC ST-MC-10 e 20. La piastra anteriore e il supporto del display devono essere utilizzati congiuntamente, non è possibile installare il supporto del display insieme alla piastra anteriore standard dell'attacco manubrio ST-MC11.

Consultare la sezione ricambi di questo manuale per trovare i codici dei ricambi.

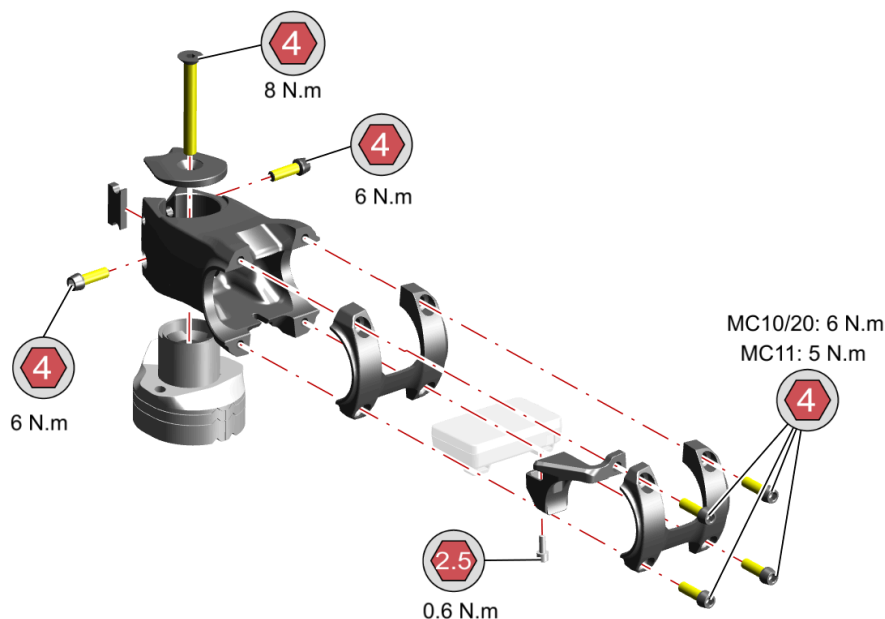
## ATTACCHI MANUBRIO OC MC10/MC11/MC20. SPECIFICHE TECNICHE

<b>GAMMA OC</b>	Mountain Control
<b>MATERIALE</b>	Alluminio CNC
<b>SERIE STERZO ORBEA STANDARD</b>	Serie sterzo HS02 e standard 1-1/8" con tappo HS02-17
<b>Ø FORCELLA</b>	1" 1/8
<b>Ø MANUBRIO</b>	35 mm

[Continues next page >](#)

<b>ALTEZZA DI MONTAGGIO NEL CANOTTO FORCELLA</b>	40 mm
<b>TILT (ANGOLO)</b>	0°
<b>LUNGHEZZE DISPONIBILI</b>	MC10/MC20: 35, 40, 50 mm MC11: 35, 40, 50, 60 mm
<b>CABLAGGIO</b>	Compatibile esclusivamente con passaggio interno per i cavi elettrici.
<b>COMPATIBILE CON FUNZIONE SPINBLOCK</b>	Sì. Solo su telai con funzione Spinblock
<b>COMPATIBILE CON SISTEMA SIC</b>	Sì. Solo su telai Orbea con serie sterzo HS02
<b>PESO</b>	ST-MC10: 150 g (40 mm) ST-MC20: 160 g (40 mm) ST-MC11: 192 g (40 mm)
<b>COPERTURA ATTACCO MANUBRIO</b>	Coperchio specifico HS02-31 (MC10/20/11)
<b>DISTANZIALI SERIE STERZO COMPATIBILI</b>	Telai Orbea con serie sterzo HS02: Sotto l'attacco manubrio: distanziali spaccati Spinblock HS02-03/04 (5 e 10 mm). Sotto il collettore SIC HS02 Sopra l'attacco manubrio: distanziali circolari Spinblock HS02-07/08 (5 e 10 mm) Telai con serie sterzo 1-1/8" Sopra e sotto l'attacco manubrio: distanziali circolari Spinblock HS02-07/08 (5 e 10 mm)
<b>SUPPORTO CICLOCOMPUTER</b>	OC CM-05. Sopra l'attacco manubrio. (5 mm)

## OC ST-MC10, ST-MC20 E ST-MC11. COMPOSTI PER MONTAGGIO E COPPIE DI SERRAGGIO



COLORE	TIPO DI COMPOSTO	DESCRIZIONE
	LUBRIFICAZIONE	GRASSO: grasso per montaggio di alta qualità per evitare stridii e grippaggi. Compatibile con superfici in carbonio e alluminio.

**AVVISO**

La piastra anteriore D-EN600 e il supporto per display SC-EN600 dell'attacco manubrio ST-MC11 non sono compatibili con l'installazione negli attacchi manubrio OC ST-MC-10 e 20. La piastra anteriore e il supporto del display devono essere utilizzati congiuntamente, non è possibile installare il supporto del display insieme alla piastra anteriore standard dell'attacco manubrio ST-MC11.

## INSTALLAZIONE DEGLI ATTACCHI MANUBRIO OC MOUNTAIN CONTROL

**AVVISO**

Per individuare il corretto passaggio dei cavi attraverso la serie sterzo, consultare la sezione sull'installazione delle serie sterzo HS02 in questo manuale

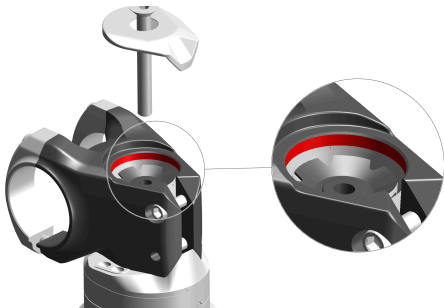
**AVVISO**

Questa è una guida generale all'installazione degli attacchi manubrio OC MC (Mountain Control). Per conoscere le coppie di serraggio specifiche e i relativi componenti, consultare la sezione relativa allo specifico modello di attacco manubrio.

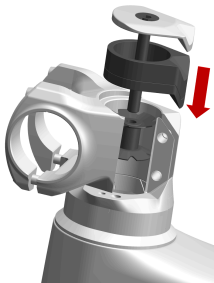
1



2

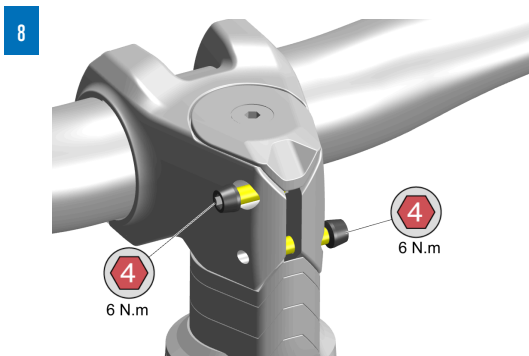
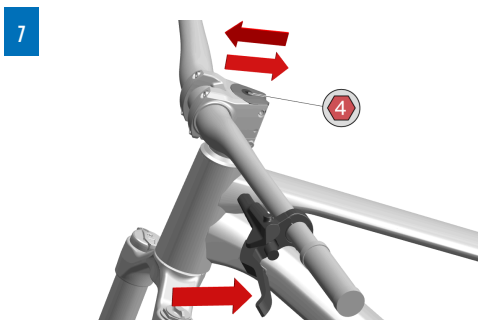
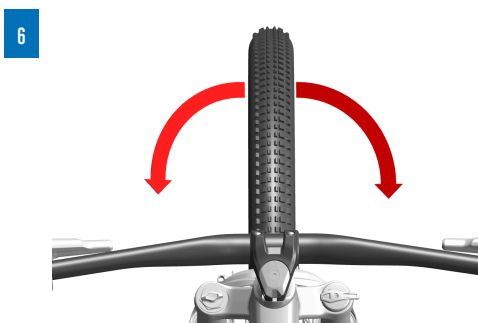
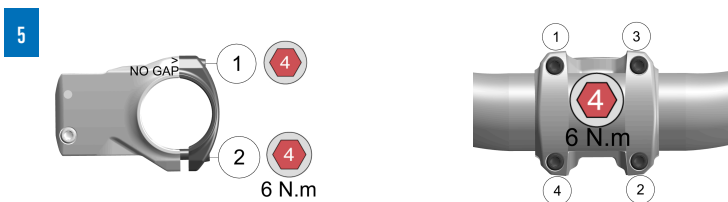
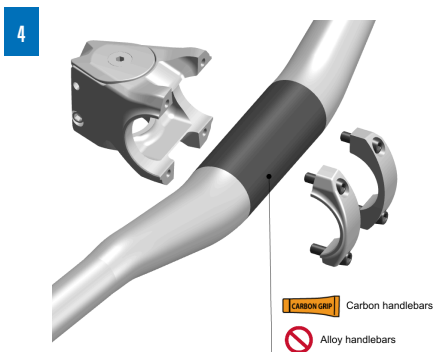


3



1. Gli attacchi manubrio (Mountain Control) sono dotati di un limitatore nell'area in cui l'attacco è fissato al tubo di sterzo della forcella per garantire che non venga superata la coppia di serraggio consigliata. Durante il montaggio dell'attacco manubrio, verificare la corretta installazione del limitatore. Il limitatore non è essenziale, ma se non se ne dispone, seguire le istruzioni sulla coppia di serraggio dei bulloni dell'attacco manubrio per ciascun specifico modello di attacco manubrio OC.
2. Con la serie sterzo HS02 già installata (vd. la sezione dedicata all'installazione della serie sterzo), inserire l'attacco manubrio MC nel canotto della forcella, facendo combaciare il suo profilo posteriore con quello del collettore specifico HS02-05. Controllare che il canotto forcella sia posizionato sopra il bullone del morsetto superiore dell'attacco manubrio. Per consentire il corretto precarico della serie sterzo, la distanza tra la parte superiore del canotto forcella e la superficie di installazione del tappo di precarico dell'attacco manubrio dovrà essere di almeno 3 mm.
3. È possibile installare i distanziali profilati a corpo unico HS02-07 (5 mm) o HS02-08 (10 mm) sopra l'attacco manubrio, verificando sempre che il bullone superiore del tappo dell'attacco manubrio si inserisca correttamente nel ragnetto del canotto forcella per consentire la corretta compressione della serie sterzo. Sui modelli di bicicletta non dotati di funzione Spinblock, è possibile utilizzare questi distanziali anche tra l'attacco manubrio e il collettore SIC HS02.

Continues next page >



4. Se si installano manubri in carbonio, applicare un leggero strato di pasta per carbonio sulla superficie di contatto tra il manubrio e l'attacco manubrio. Per i manubri in alluminio non occorre applicare alcun composto tra l'attacco manubrio e il manubrio.

5. Sugli attacchi manubrio contrassegnati come "NO GAP", i bulloni del punto di fissaggio contrassegnati come "NO GAP" devono essere prima serrati fino al contatto tra la piastra e il corpo dell'attacco manubrio. Quindi serrare i bulloni opposti alla coppia indicata per il modello. Infine, serrare le 4 viti della piastra anteriore con uno schema a croce, fino a raggiungere la coppia di serraggio consigliata.

6. Con il manubrio e l'attacco manubrio montati, l'attacco manubrio va centrato in relazione alla ruota anteriore.

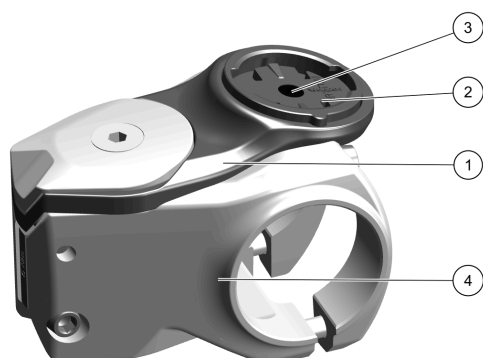
7. Stringere il tappo superiore dell'attacco manubrio alla coppia di serraggio specificata. Verificare che la serie sterzo sia priva di gioco azionando il freno anteriore e spostando leggermente la bicicletta avanti e indietro. In modo analogo, verificare che il manubrio ruoti agevolmente su entrambi i lati.

8. Applicare del grasso di montaggio sui bulloni del morsetto dell'attacco manubrio e serrare alla coppia consigliata.

# 11 SUPPORTO GPS OC CM-05

Il supporto GPS OC CM-05 è specifico per gli attacchi manubrio OC Mountain Control standard HS02 compatibili con la funzione Spinblock (anche se il telaio non è dotato della funzione Spinblock).

Le configurazioni Orbea che includono i supporti per ciclocomputer OC comprendono solo l'adattatore per le unità Garmin/Sigma. Se si desidera utilizzare un dispositivo di un altro marchio, sarà necessario acquistare il kit adattatori Garmin/Sigma, Wahoo, Bryton CT-02.

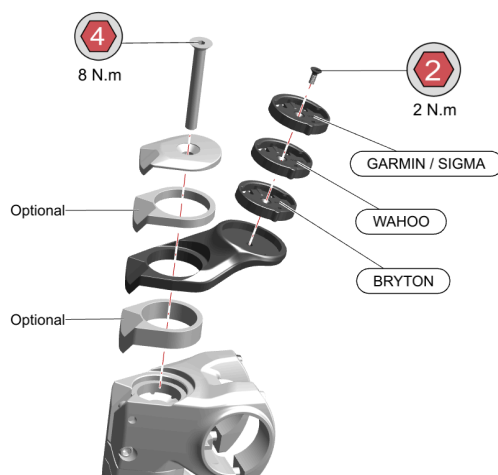


1. Corpo supporto per ciclocomputer CM-05
2. Adattatore per Garmin - Sigma, Wahoo, Bryton
3. Perno fissaggio morsetto adattatore
4. Attacco manubrio Mountain Control

## SPECIFICHE TECNICHE

MATERIALE	Polimero
MISURA (mm)	83x44x40 mm.
PESO (g)	13 g
COLORE	Nero
ATTACCHI MANUBRIO OC COMPATIBILI	OC Mountain Control HS02
COMPATIBILITÀ DISPOSITIVI	Garmin / Sigma / Bryton / Wahoo

## ESPLOSO E COPPIE DI SERRAGGIO



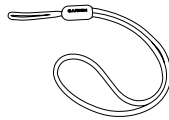


**AVVISO**

Con il supporto GPS installato sopra l'attacco manubrio, l'altezza del canotto forcella deve essere adeguata all'altezza dell'attacco manubrio e dei distanziali della serie sterzo e/o del supporto GPS installato. Per ulteriori informazioni sull'altezza consigliata del tubo di sterzo sull'attacco manubrio, consultare la sezione Attacchi manubrio del presente manuale.

**AVVISO**

Orbea ricorda la raccomandazione dei produttori di dispositivi GPS di passare il laccetto di sicurezza fornito con i ciclocomputer attorno al manubrio per evitare di danneggiare l'unità o di perderla in caso di incidente o caduta.



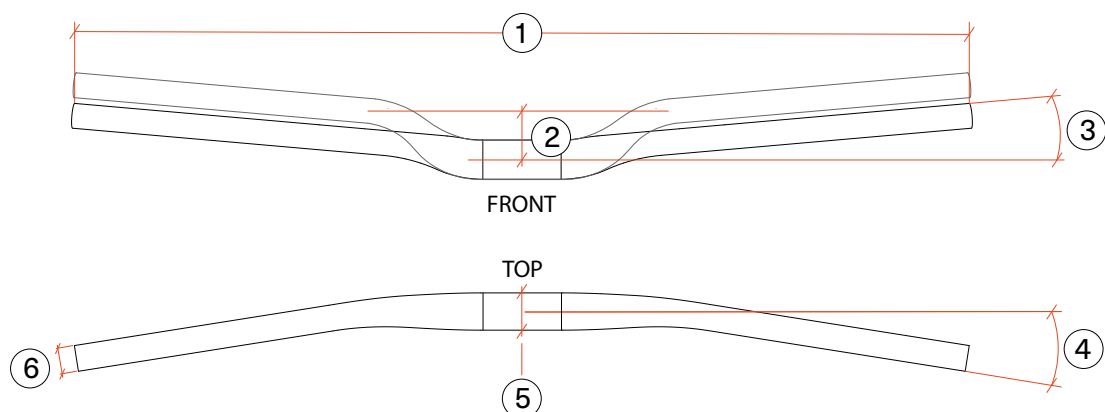
# 12 MANUBRIO

## SPECIFICHE MANUBRI OC

Scopri l'intera gamma di manubri OC sul nostro sito web: [Equipaggiamento > Componenti OC > Manubri \(Equipment > OC Components > Handlebars\)](#)

### SPECIFICHE MANUBRI OC SULLA RISE

	MATERIALE	LARGHEZZA (1)	RISE (2)	UPSWEEP (3)	BACK-SWEEP (4)	Ø MORSETTO ATTACCO MANUBRIO (5)	Ø ESTREMITÀ (6)	PESO	USO PREVISTO
<b>HB-MC10</b>	Carbonio	800 mm	20/35 mm	5°	8°	35 mm	22,2 mm	225 g circa	Trail/Enduro. ASTM5
<b>HB-MC21</b>	AL7050	800 mm	20 mm	5°	8°	35 mm	22,2 mm	325 g circa	Trail/Enduro. ASTM5
<b>HB-MC31</b>	AL6069	800 mm	20 mm	3°	9°	35 mm	22,2 mm	385 g circa	Trail/Enduro. ASTM5

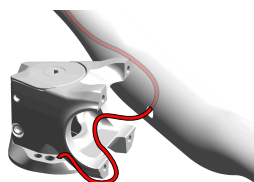


## CABLAGGIO INTERNO DEI COMPONENTI ELETTRONICI

I manubri OC specificati consentono, insieme agli attacchi OC Mountain Control, il passaggio interno dei cavi dei componenti del sistema elettrico, come per il pulsante SW-EN600. Per informazioni sull'assemblaggio e il cablaggio di ciascuna opzione, consultare la sezione Cablaggio del manubrio e dell'Attacco manubrio per i componenti Shimano in questo manuale.

### AVVISO

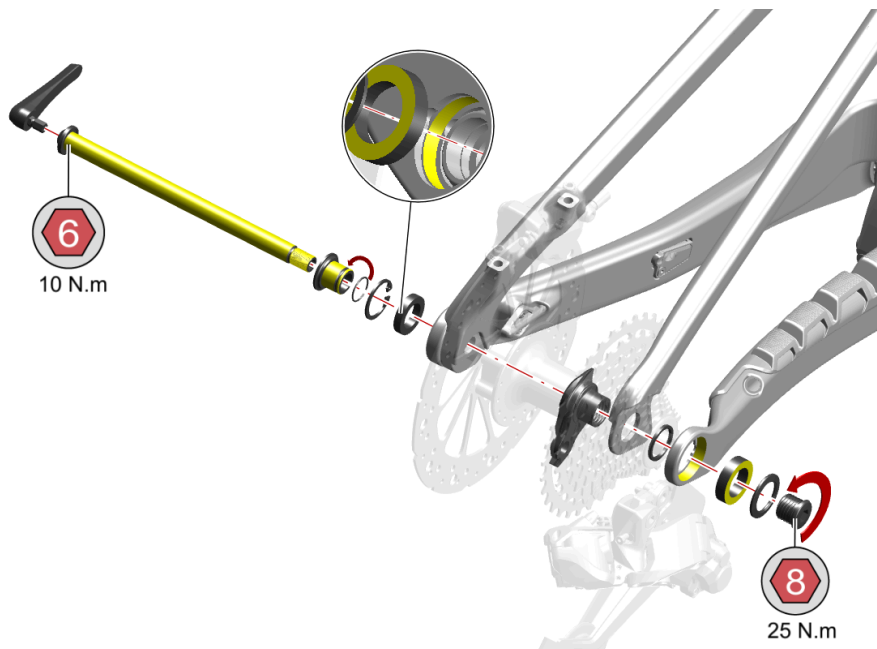
Se il manubrio OC montato originariamente sulla bicicletta viene sostituito, il nuovo manubrio dovrà consentire il passaggio interno dei cavi dei componenti elettronici. In caso contrario, i cavi di questi componenti dovranno essere fatti passare all'esterno del manubrio e dell'attacco manubrio.




# 13 ASSI POSTERIORI E FORCELLINO

## COMPOSTI PER MONTAGGIO E COPPIE DI SERRAGGIO

### ASSE POSTERIORE



COLORE	TIPO DI COMPOSTO	DESCRIZIONE
	LUBRIFICAZIONE	GRASSO: grasso per montaggio di alta qualità per evitare stridii e grippaggi. Compatibile con superfici in carbonio e alluminio.

### AVVISO

Consultare la sezione ricambi di questo manuale per trovare i codici dei ricambi.

**AVVISO**

**COMPATIBILITÀ CON IL DERAGLIATORE SRAM TIPO T:** La Rise utilizza il forcellino Sram UDH, pertanto è compatibile con i deragliatori Sram Tipo T con montaggio diretto sul telaio (senza forcellino).

**AVVISO**

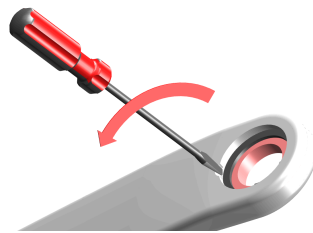
**ASSE ANTERIORE:** Le istruzioni specifiche per il montaggio dell'asse passante anteriore sulle forcelle ammortizzate sono fornite dal produttore della forcella. Consultare le istruzioni d'uso nella documentazione del produttore.

[Asse Fox 15QR](#)

[Fox Kabolt](#)

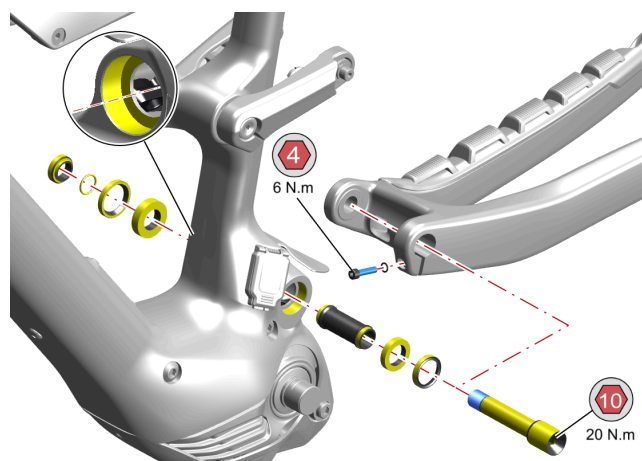
## RIMOZIONE DELL'ANELLO DI SICUREZZA DEL CUSCINETTO DEL FORCELLINO SINISTRO

Per rimuovere il cuscinetto del punto di articolazione sx occorre rimuovere l'anello di sicurezza del cuscinetto. Inserire un piccolo cacciavite piatto nell'apposita tacca dell'alloggiamento del cuscinetto e fare leva per rimuovere l'anello di sicurezza, dopo aver posizionato la parte aperta dell'anello di sicurezza a 90° rispetto alla posizione della tacca. Procedere con cura e utilizzare nastro adesivo o altro tipo di materiale per evitare di segnare o danneggiare il fodero basso con il cacciavite nel rimuovere l'anello di sicurezza.



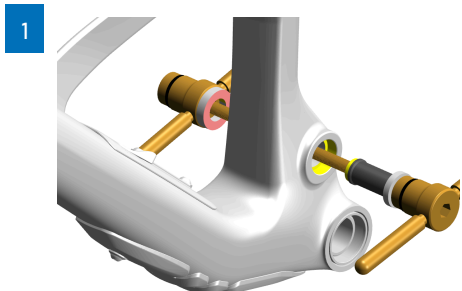
# 14 PUNTO DI ARTICOLAZIONE PRINCIPALE DEL FORCELLONE

## COMPOSTI PER MONTAGGIO E COPPIE DI SERRAGGIO

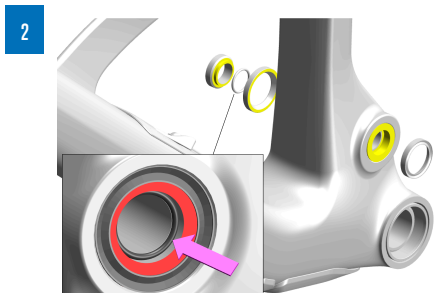


COLORE	TIPO DI COMPOSTO	DESCRIZIONE
■	LUBRIFICAZIONE	GRASSO: grasso per montaggio di alta qualità per evitare stridii e grippaggi. Compatibile con superfici in carbonio e alluminio.
■	BLOCCAGGIO	FRENAFILETTI: forza media. Loctite tipo 243.

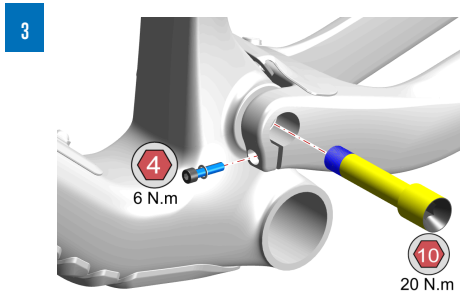
## PROCEDURA DI INSTALLAZIONE



1. Applicare il grasso di montaggio agli alloggiamenti dei cuscinetti sul telaio e al distanziale. Inserire uno dei cuscinetti nell'alloggiamento del distanziale. Utilizzando una pressa per cuscinetti, inserire distanziale e cuscinetto assemblati dal lato sinistro e l'altro cuscinetto dal lato destro.



2. Applicare il grasso all'esterno di entrambi i cuscinetti e posizionare le guarnizioni, verificando che la parte piatta della guarnizione sia a contatto con il cuscinetto. Sul lato destro, posizionare l'O-ring come mostrato nella vista dettagliata e inserire la boccola.



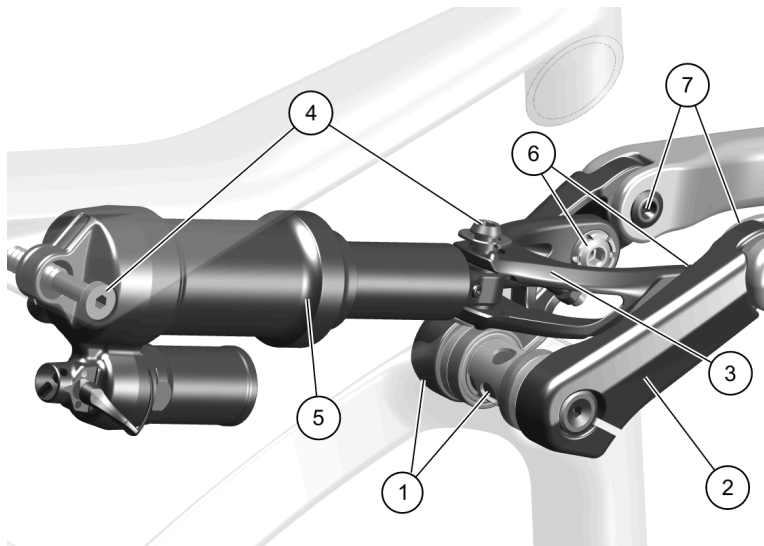
3. Applicare del grasso di montaggio sul corpo e sulla testa dell'asse passante e del frenafili a media resistenza sulle filettature. Inserirlo e serrare alla coppia indicata (20 N m). Quindi, applicare del frenafili di media resistenza sul bullone di fissaggio sul fodero basso sx e serrarlo a 6 Nm.

## 15 AREA LEVERAGGIO E AMMORTIZZATORE

Le Rise SL ed LT hanno in comune il medesimo leveraggio in due pezzi con uno specifico adattatore per l'ammortizzatore per ciascuno dei modelli, che conferisce caratteristiche diverse ai due modelli. Il sistema di ammortizzazione della Rise Hydro SL prevede un raccordo in alluminio per ottenere 140 mm di escursione posteriore, per conferire una geometria e un sistema di sospensioni per il trail riding veloce.

La Rise LT si avvale di una prolunga in alluminio per ottenere un'escursione posteriore di 150 mm (ammortizzatore ad aria o a molla), e creare una geometria audace per affrontare i tracciati più difficili. Inoltre, per la Rise LT, il Quick Flip installato sul fissaggio della prolunga dell'ammortizzatore permette di passare in pochi secondi dalla geometria High a quella Low, per adattare la bicicletta al percorso. Consultare la sezione "Geometria" per verificare le modifiche della geometria ottenibili con le due opzioni.

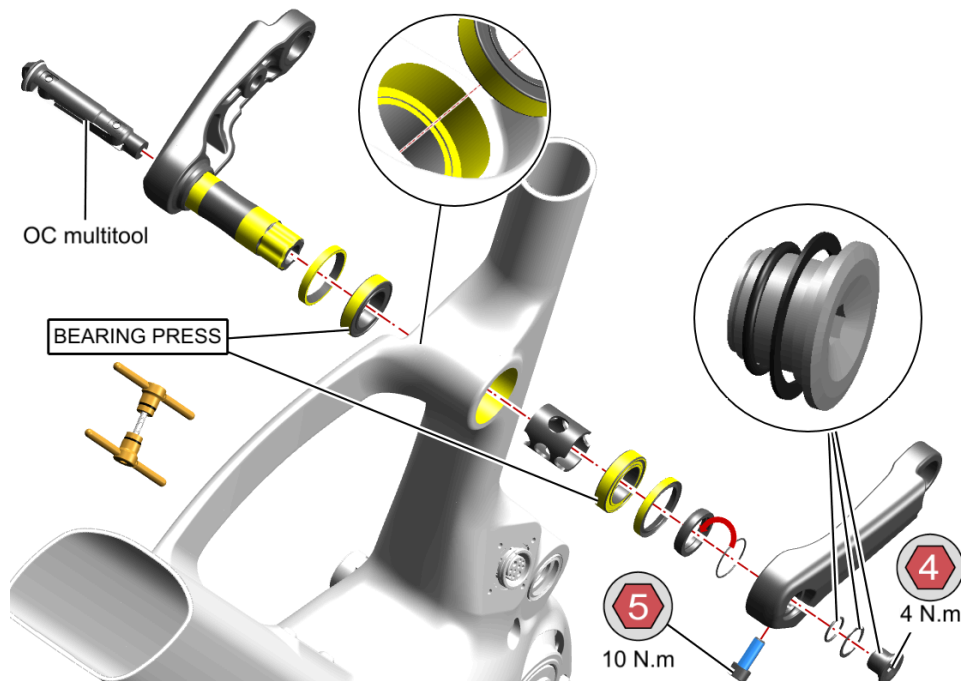
## ELEMENTI



1. Leveraggio + asse dx (1 pz.)
2. Leveraggio sx
3. Prolunga: (SL o LT)
4. Ferramenta fissaggio ammortizzatore (con Flip Chip su LT)
5. Ammortizzatore (molla o aria)  
SL: 210x50 mm / LT: 210x55 mm
6. Ferramenta prolunga-leveraggio
7. Ferramenta leveraggio-foderi alti.

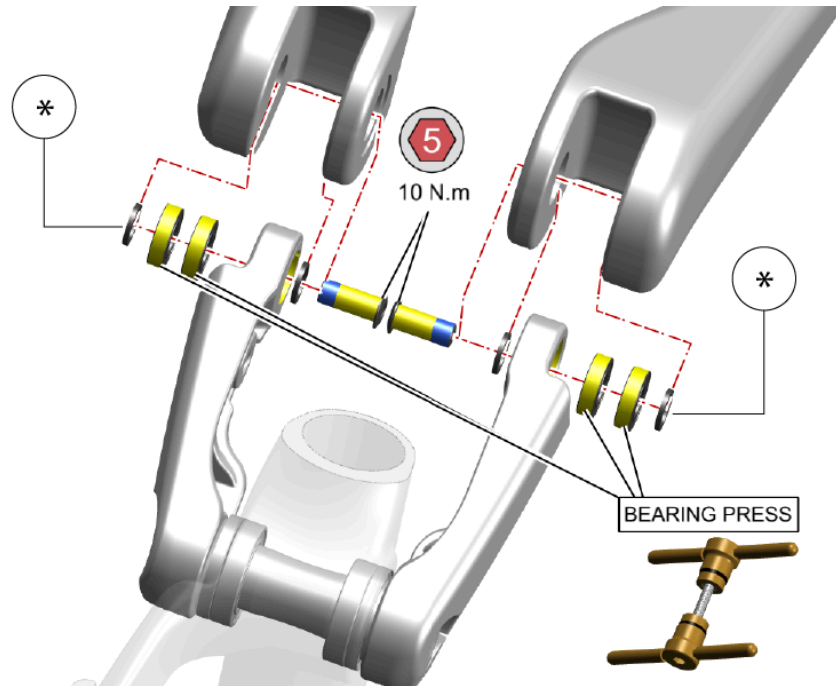
## COMPOSTI PER MONTAGGIO E COPPIE DI SERRAGGIO

### PUNTO DI ARTICOLAZIONE TELAIO-LEVERAGGIO. COMPOSTI PER MONTAGGIO E COPPIE DI SERRAGGIO



COLORE	TIPO DI COMPOSTO	DESCRIZIONE
	LUBRIFICAZIONE	GRASSO: grasso per montaggio di alta qualità per evitare stridii e grippaggi. Compatibile con superfici in carbonio e alluminio.
	BLOCCAGGIO	FRENAFILETTI: forza media. Loctite tipo 243.

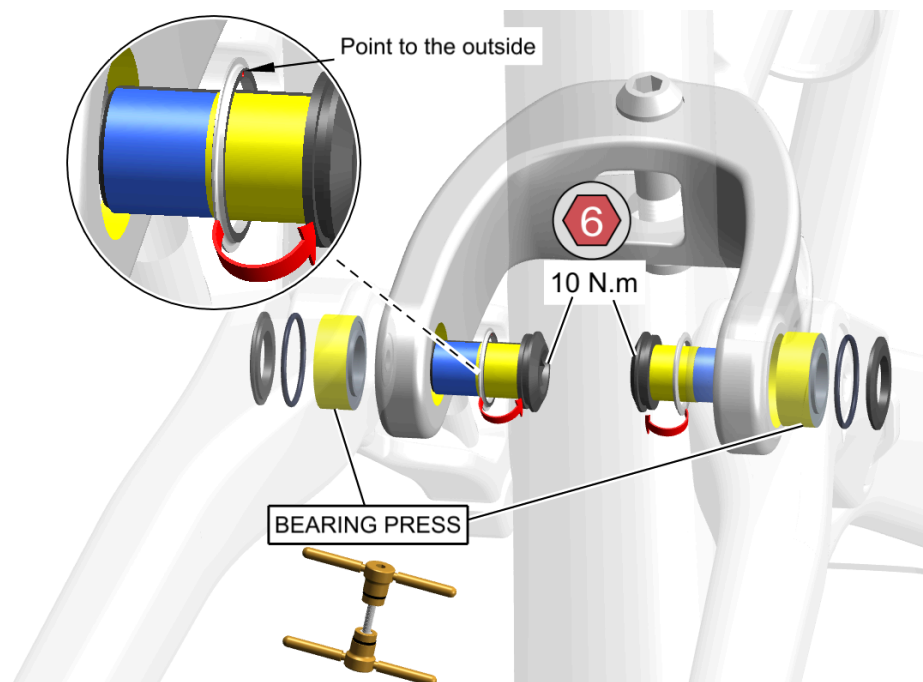
## PUNTO DI ARTICOLAZIONE LEVERAGGIO-FODERI ALTI. COMPOSTI PER MONTAGGIO E COPPIE DI SERRAGGIO



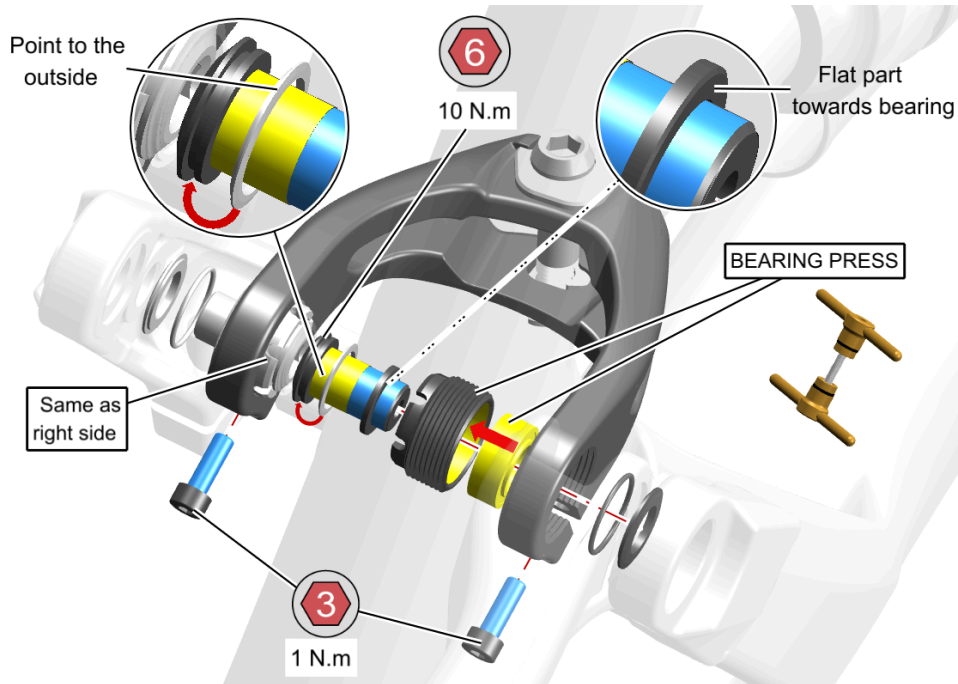
\* Posizionare il distanziale piccolo all'esterno e il distanziale grande all'interno del leveraggio.



COLORE	TIPO DI COMPOSTO	DESCRIZIONE
■	LUBRIFICAZIONE	GRASSO: grasso per montaggio di alta qualità per evitare stridii e grippaggi. Compatibile con superfici in carbonio e alluminio.
■	BLOCCAGGIO	FRENAFILETTI: forza media. Loctite tipo 243.

## PROLUNGA SL. COMPOSTI PER MONTAGGIO E COPPIE DI SERRAGGIO



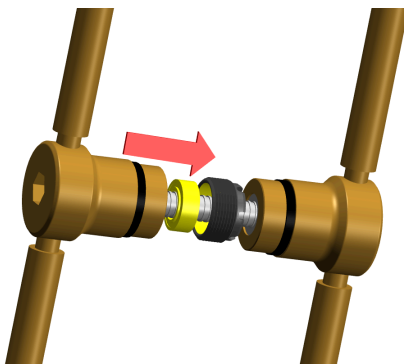
## PROLUNGA LT. COMPOSTI PER MONTAGGIO E COPPIE DI SERRAGGIO



COLORE	TIPO DI COMPOSTO	DESCRIZIONE
	LUBRIFICAZIONE	GRASSO: grasso per montaggio di alta qualità per evitare stridii e grippaggi. Compatibile con superfici in carbonio e alluminio.
	BLOCCAGGIO	FRENAFILETTI: forza media. Loctite tipo 243.

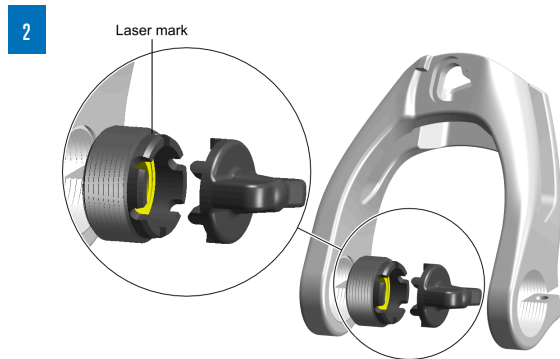
## INSTALLAZIONE DELLA PROLUNGA LT

1

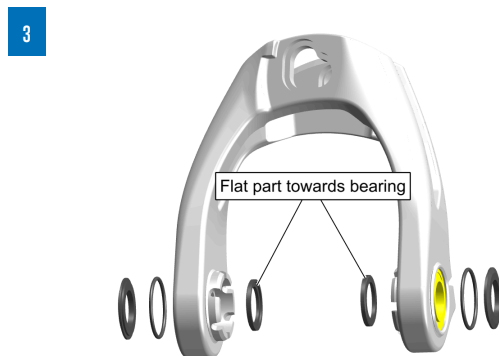


1. Utilizzando una pressa per cuscinetti, installare i cuscinetti nelle coppe dal lato delle coppe senza calettatura. Prima dell'installazione, applicare del grasso per montaggio all'interno delle coppe e delle piste dei cuscinetti.

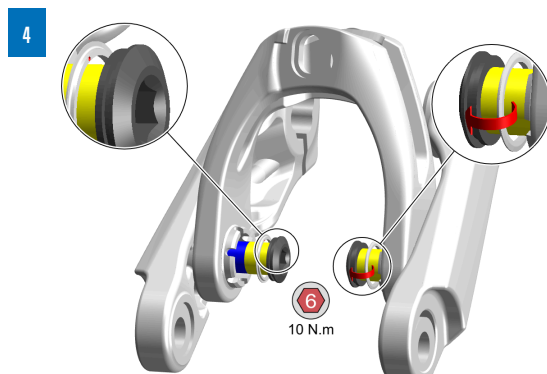
[Continues next page >](#)



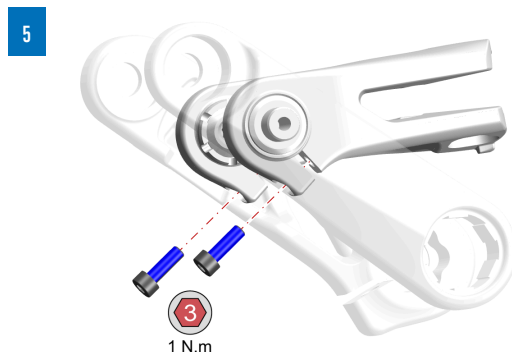
2. Con i cuscinetti già montati nelle coppe, installarli sulla prolunga, utilizzando l'utensile specifico, fino al segno laser (mostrato nella vista di dettaglio).



3. Applicare il grasso all'esterno di entrambi i cuscinetti e posizionare le guarnizioni, verificando che la parte piatta della guarnizione sia a contatto con il cuscinetto.



4. Posizionare gli anelli parapolvere nella scanalatura dell'asse, con la punta rivolta verso la faccia esterna come mostrato nella vista di dettaglio (ingrassare l'anello per facilitare il montaggio). Applicare del grasso di montaggio sul corpo e sulla testa dell'asse passante e del frenafili a media resistenza sulle filettature. Inserire e serrare alla coppia indicata (10 N m).



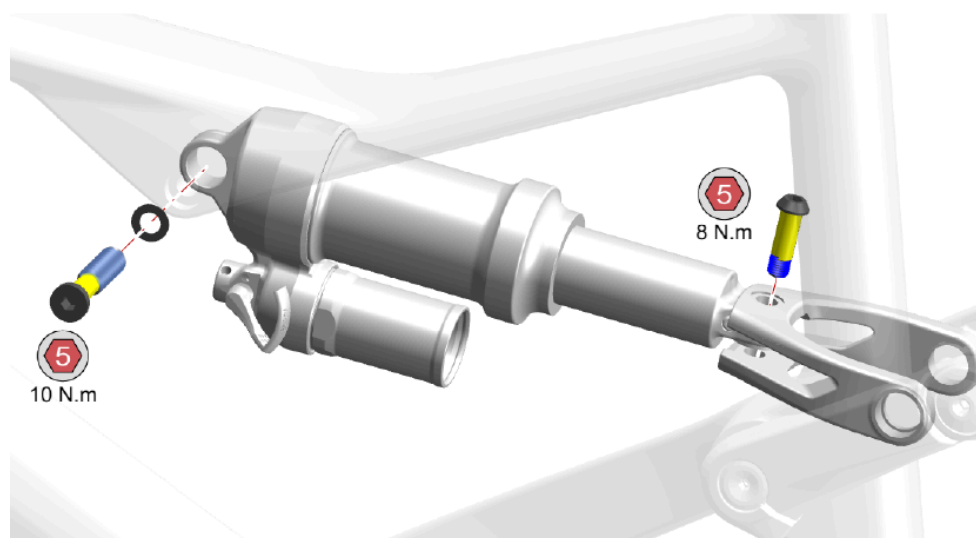
5. Applicare del frenafili di media resistenza sulle filettature del bullone di bloccaggio e serrare a 1 N m.

## INSTALLAZIONE DELLA PROLUNGA SL

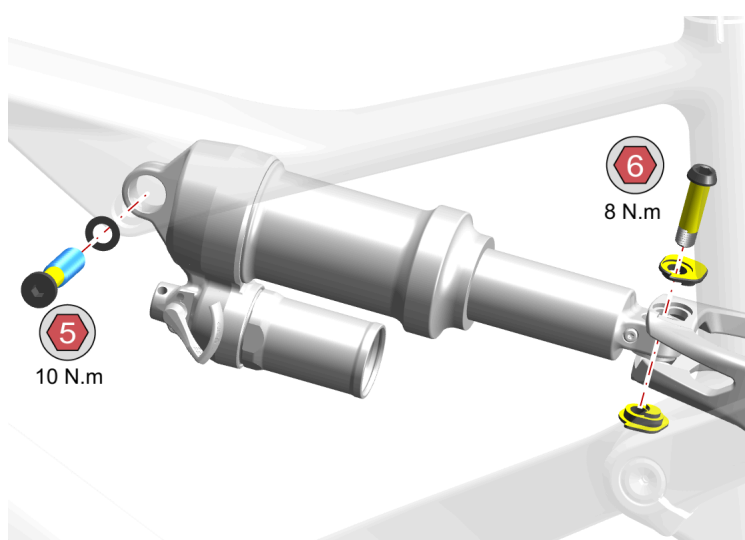
Nella prolunga dell'ammortizzatore in carbonio della Rise SL, i cuscinetti sono inseriti direttamente nelle rispettive sedi, eliminando la necessità di coppe. Installati i cuscinetti, seguire i passi 2 e 3 della procedura di installazione della prolunga LT sopra descritta per completare il montaggio.





## FISSAGGIO AMMORTIZZATORE SL



## FISSAGGIO AMMORTIZZATORE LT



COLORE	TIPO DI COMPOSTO	DESCRIZIONE
	LUBRIFICAZIONE	GRASSO: grasso per montaggio di alta qualità per evitare stridii e grippaggi. Compatibile con superfici in carbonio e alluminio.
	BLOCCAGGIO	FRENAFILETTI: forza media. Loctite tipo 243.

## ATTITUDE ADJUST. VARIAZIONI GEOMETRIA SUI MODELLI LT MODELS

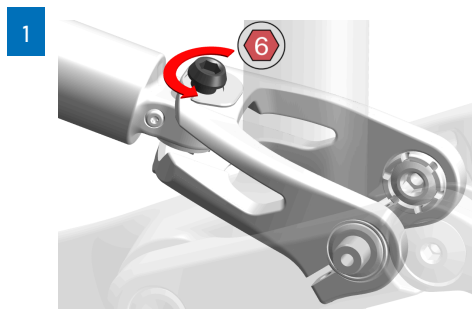
La Rise LT consente di avere due opzioni di geometria sulla stessa bicicletta cambiando la posizione del Quick Flip dell'ammortizzatore. La posizione Low consente una posizione in sella più rilassata per i trail più impegnativi, mentre la posizione High aumenta gli angoli del tubo di sterzo e del tubo piantone di mezzo grado, rendendo la bici più reattiva. Per informazioni complete su entrambe le opzioni, consultare la sezione geometria.

## ISTRUZIONI PER MODIFICARE LE GEOMETRIE HIGH E LOW

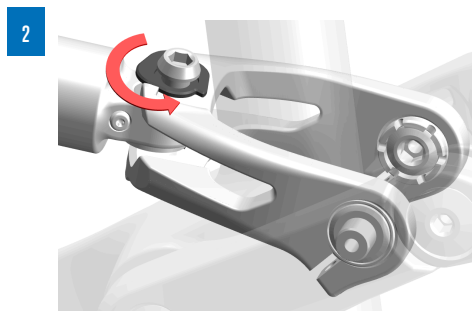
### AVVISO

Questa procedura descrive il passaggio dalla posizione "High" alla posizione "Low". Eseguire la stessa procedura, ma spostando il pickup superiore nella posizione mostrata nella prima immagine per eseguire la procedura inversa.

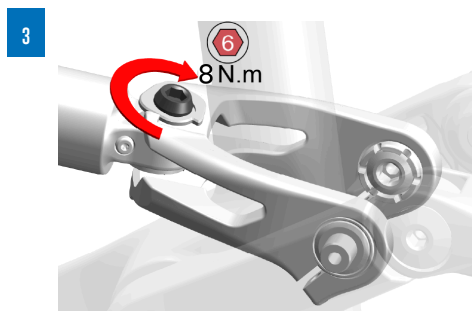
Vd. il video tutorial [qui](#) per scoprire come utilizzare la tecnologia Attitude Adjust.



1. Allentare il bullone che fissa l'ammortizzatore alla forcella con una chiave a brugola da 6 (per farlo, si può usare la camma dell'asse posteriore).



2. Sollevare il tubo orizzontale fino a quando il pickup superiore del Quick Flip si posiziona come mostrato nell'immagine.



3. Serrare nuovamente il bullone del morsetto a 8 N m (si potrà utilizzare provvisoriamente la camma dell'assale posteriore se si è su strada).

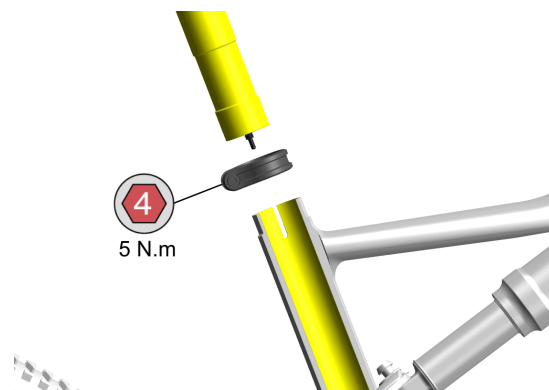
# 16 INSTALLAZIONE MORSETTO REGGISELLA


## AVVISO

Consultare i manuali per reggisella telescopici OC Components sul nostro sito web:

[www.orbea.com/gb-en/](http://www.orbea.com/gb-en/) > Assistenza > Manuali > Prodotto

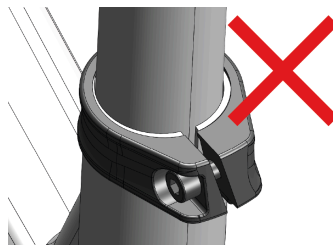
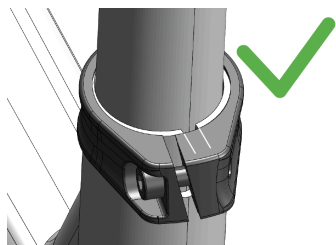
Per le istruzioni di installazione dei reggisella di produttori terzi, consultare la documentazione del produttore.



COLORE	TIPO DI COMPOSTO	DESCRIZIONE
	LUBRIFICAZIONE	GRASSO: grasso per montaggio di alta qualità per evitare stridii e grippaggi.

## AVVISO

Il morsetto del reggisella va posizionato sempre facendo in modo che le marcature corrispondano alla scanalatura nel tubo del telaio. La scanalatura del morsetto non dovrà essere posizionata in corrispondenza di quella del tubo del telaio.

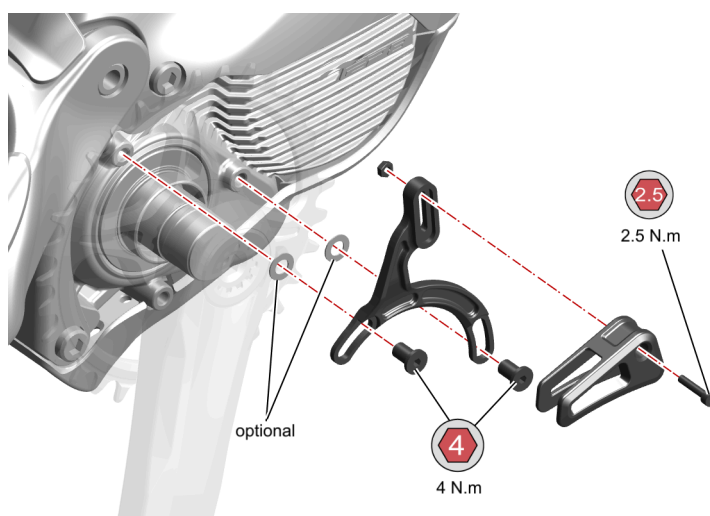


# 17 GUIDACATENA

## AVVISO

Se non è possibile accedere ai bulloni di fissaggio del guidacatena attraverso lo spider della corona quando è montata, occorrerà smontare la pedivella destra e la corona per rimuovere il guidacatena. Per il metodo di rimozione della pedivella e della corona, consultare la sezione sulla rimozione della batteria interna.

Il guidacatena installato sulla Rise è esclusivamente per le corone con linea di catena di 55 mm.



# 18 LOCKR. ALLOGGIAMENTO ATTREZZI NEL TELAIO

## MULTI-TOOL E CAMMA ASSE POST. OC FLP MT-20

Per evitare di trasportare carichi in eccesso, la Rise include una camma da 6 mm sull'asse posteriore che consente di rimuovere la ruota posteriore e di passare dalla geometria High a quella Low nelle versioni LT.

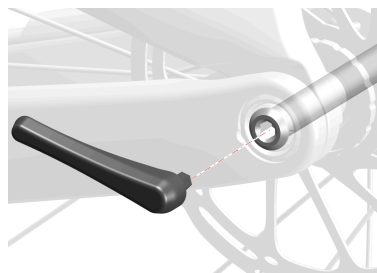
L'asse cavo del leveraggio offre la possibilità di inserire un multi-tool OC FLP MT-20 con chiavi a brugola da 2, 3, 4 e 5 mm. Questi utensili sono inclusi con alcuni modelli, ma per gli altri sono opzionali.

Entrambi gli utensili sono disponibili sul sito web Orbea come componenti aftermarket. Consultare la sezione ricambi di questo manuale per trovare i codici dei ricambi.

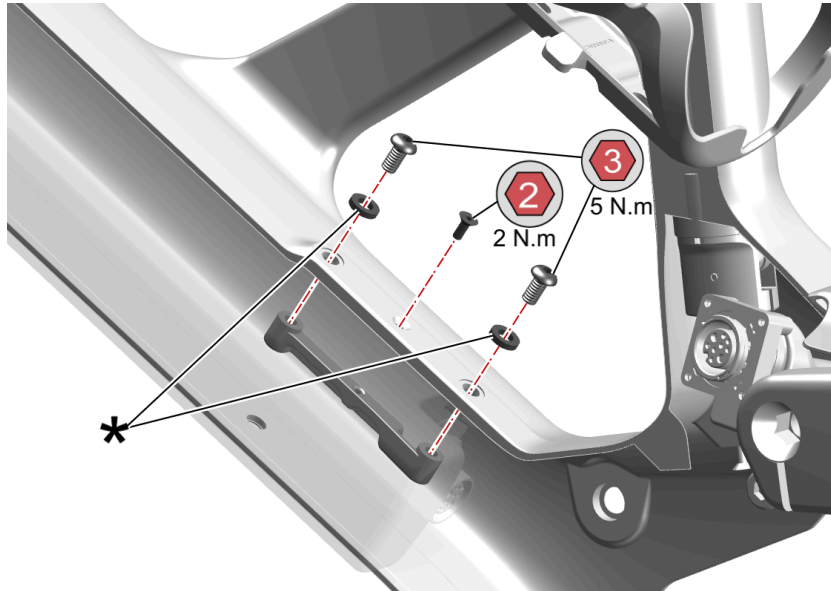
MULTI-TOOL OC FLP MT-20



CAMMA ASSE POSTERIORE



## 19 PIASTRA PORTABORRACCIA



### AVVISO

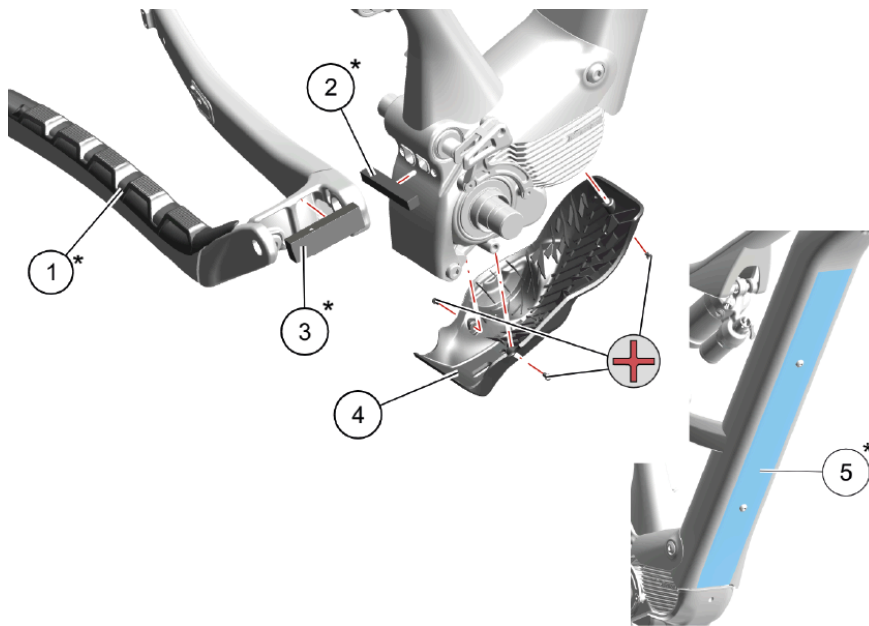
Per sostituire la piastra di fissaggio interna del portaborraccia è necessario rimuovere il motore e la batteria interna dal telaio. Per la procedura di rimozione della batteria interna, consultare la sezione specifica di questo manuale.

### AVVISO

\* La Rise monta di serie il supporto per la batteria esterna Range Extender 210 Wh, compatibile con l'uso di borracce standard quando non si utilizza la batteria esterna. Il supporto per il Range Extender non richiede l'installazione delle rondelle indicate nell'illustrazione per l'installazione sul telaio. Tuttavia, se in luogo del supporto per il Range Extender viene montato un portaborraccia standard che non aderisce correttamente al telaio, sarà possibile utilizzare delle rondelle per compensare lo spazio tra la parte inferiore del portaborraccia e il telaio. Queste rondelle non vengono fornite con la bici, ma sono disponibili con la piastra di fissaggio del portaborraccia sostitutivo. Consultare la sezione ricambi di questo manuale per trovare i codici dei ricambi.

# 20 PROTEZIONI

## PARACORONA E PROTEZIONI MOTORE



1. Protezione in gomma adesiva per foderò basso
2. Protezione inferiore adesiva in schiuma FT
3. Protezione superiore adesiva a cerniera in schiuma
4. Protezione motore EP801/EP6
5. Protezione adesiva trasparente tubo obliquo

### AVVISO

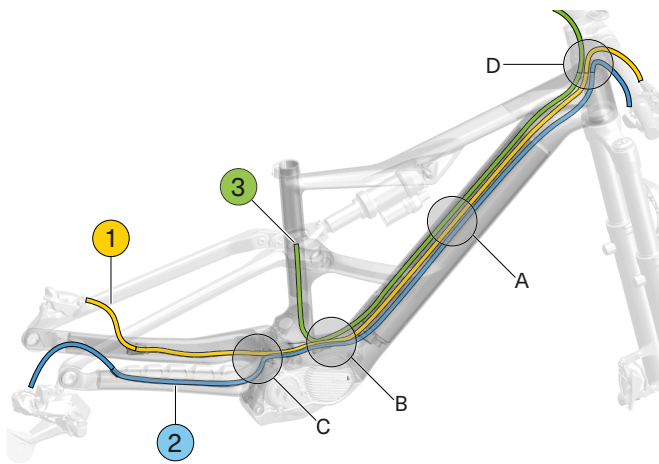
**\* INSTALLAZIONE DELLE PROTEZIONI ADESIVE:** Per una corretta installazione delle protezioni adesive sul telaio, pulire prima l'area di installazione con alcool isopropilico (concentrazione massima del 70%), per rimuovere lo sporco e i residui della protezione precedente. Rimuovere quindi la pellicola dalla nuova protezione e installarla nell'area appropriata, premendo sull'intera superficie per assicurarsi che si adatti e aderisca bene al contorno del telaio.

**INSTALLAZIONE DELLA PROTEZIONE IN GOMMA SUL FODERO BASSO DX:** se occorre sostituire la protezione in gomma sul foderò basso dx, occorrerà rimuovere il tubo Cable Pass dal foderò basso dx, perché il tubo è incollato all'esterno del foro di uscita del cavo sulla protezione in gomma. Per la procedura di installazione, consultare la sezione sull'installazione del tubo Cable Pass in questo manuale.

# 21 CABLAGGIO

## PANORAMICA DEL CABLAGGIO DEI COMPONENTI NEL TELAIO

### COMPONENTI MECCANICI



1. Comando reggisella telescopico

2. Cambio (meccanico)

3. Freno posteriore

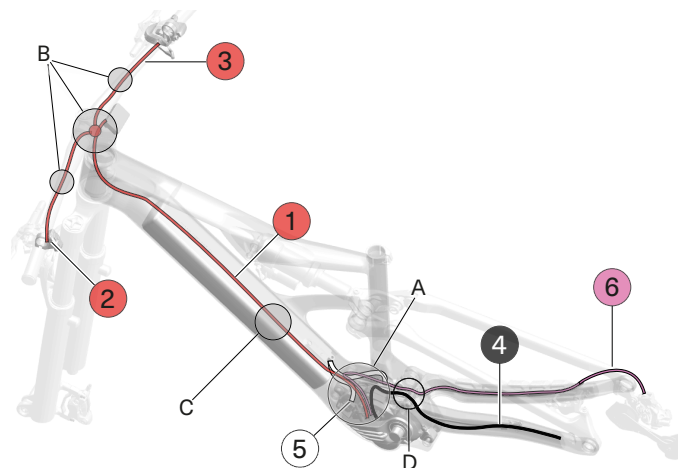
A. Guaine sopra la batteria senza incroci

B. Consultare la sezione relativa al cablaggio del vano motore

C. Vd. Sezione Cable Pass

D. Vd. sezione Serie Sterzo

### COMPONENTI DEL SISTEMA ELETTRICO



1. Cavo Shimano EW-SD300 1200 mm (per collegamento alla giunzione o al display)

2. Cavo Shimano EW-SD300 700 mm (per comando SW-EN600)

3. Cavo Shimano EW-SD300 700 mm (con leva XT Di2 -configurazioni aftermarket-)

4. Sensore velocità EW-SS301

5. Cablaggio Orbea RS Gen2 (batteria-motore-punto di ricarica)

6. Cavo Shimano EW-SD300 700 mm cable (with Di2 cam - aftermarket assemblies -)

A. Vd. sezioni Cablaggio del vano motore Motor e Connessioni motore

B. Vd. sezione Cablaggio Di2 su manubrio e attacco manubrio

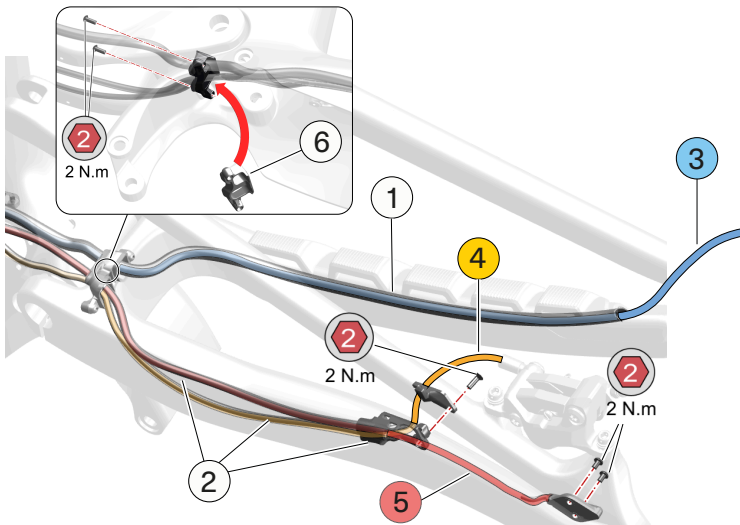
C. Cavo sopra la batteria senza incroci

D. Vd. Sezione Cable Pass

## SISTEMA CABLE PASS. CABLAGGIO TRA IL TRIANGOLO PRINCIPALE E IL FORCELLONE.

Il sistema Cable Pass protegge i cavi e le guaine tra il triangolo principale del telaio e il forcellone e facilita il cablaggio al motore e nella serie sterzo.

Sulla Rise, il sistema Cable Pass è composto da 3 elementi: un tubo di guida per la guaina del deragliatore posteriore, il set di tubi e la porta di uscita sul fodero basso sx per collegare il freno posteriore e il sensore di velocità, e il guidacavo Cable Pass nella parte posteriore del vano motore del triangolo principale del telaio.



1. Tubo Cable Pass fodero basso dx
2. Tubi Cable Pass fodero sinistro e porta di uscita (1 pz.)
3. Guaina cambio
4. Linea freno posteriore
5. Sensore velocità EW-SS301
6. Guidacavo Cable Pass

**AVVISO**

Consultare la sezione ricambi di questo manuale per trovare i codici dei ricambi.

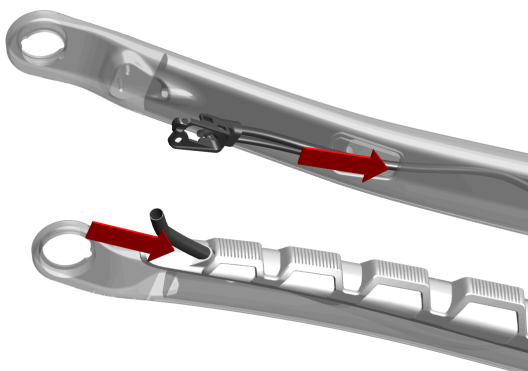
## INSTALLAZIONE DEI TUBI CABLE PASS

**AVVISO**

L'installazione dei tubi Cable Pass richiede conoscenze meccaniche avanzate in quanto richiede la rimozione del motore e a volte anche la rimozione del forcellone dal triangolo principale del telaio. Per questo tipo di riparazioni e manutenzioni affidare la bici a un rivenditore autorizzato. I danni ai componenti causati da installazioni non corrette non sono coperti dalle condizioni di garanzia.

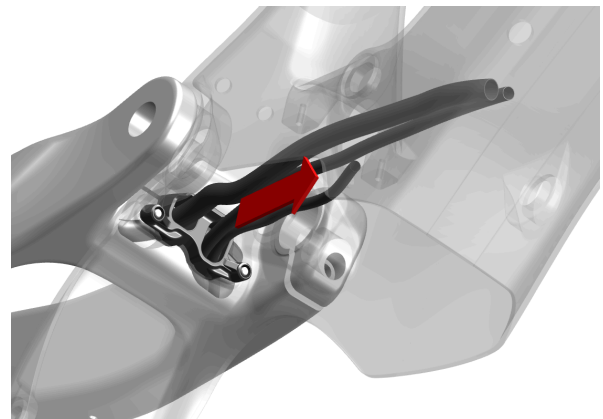
Per la procedura di rimozione del motore per accedere alla guaina, consultare la sezione sullo smontaggio della batteria interna nel presente manuale.

1



Inserire il tubo per il fodero basso dx e il set di tubi e guidacavi del fodero basso sx attraverso i fori di entrambi i foderi. La protezione in gomma del fodero basso deve essere preinstallata sul fodero, e il tubo Cable Pass viene guidato attraverso il foro della protezione.

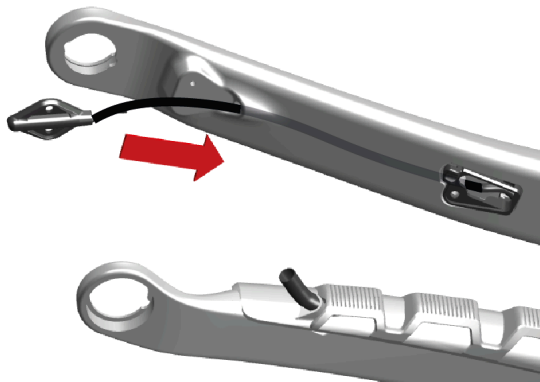
2



Guidare i tubi fino alla rispettiva uscita (medesimo lato) sul forcellone e su vano motore.

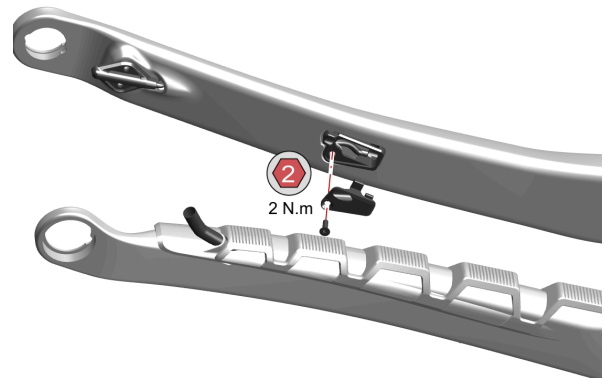


3



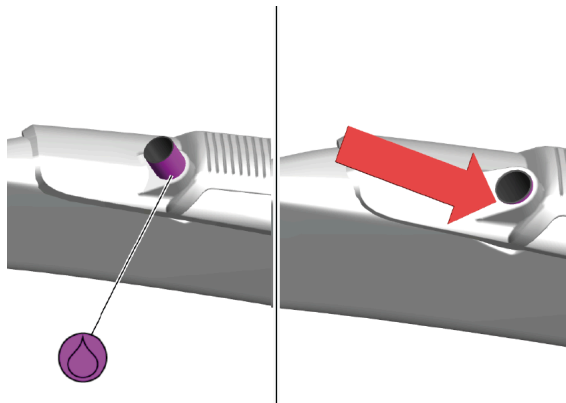
Inserire il cavo del sensore di velocità attraverso il foro corrispondente e guidarlo attraverso il tubo Cable Pass fino al vano motore.

4



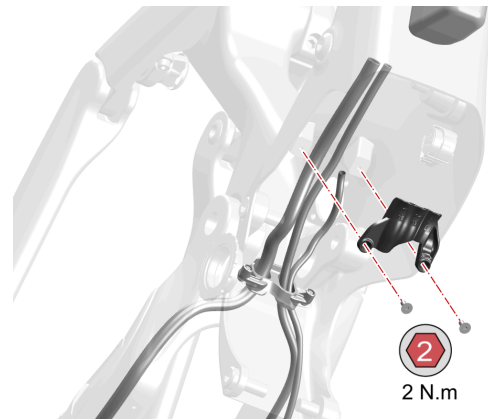
Installare lo sportellino della porta del fodero sx.

5



Applicare una piccola quantità di bicomponente delicato o di adesivo istantaneo sulla parte del tubo a contatto con il foro nella protezione del fodero basso dx e completare l'installazione nel foro della protezione. Eliminare immediatamente l'adesivo in eccesso con alcool isopropilico (concentrazione massima 70%) e lasciare asciugare seguendo le istruzioni del produttore dell'adesivo.

6

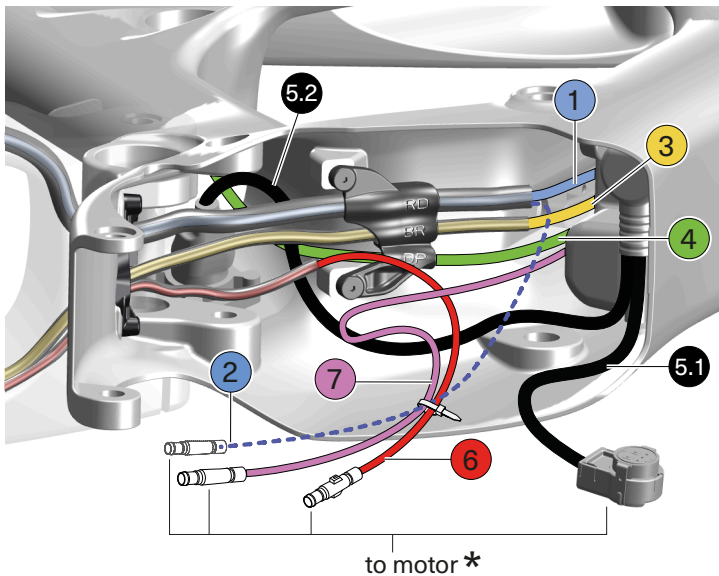


Installare il guidacavi nello scomparto del motore. Per conoscere la posizione di tutte le guaine e dei cavi in quest'area, consultare la sezione Cablaggi nel vano motore.

## CABLAGGIO MOTORE

### AVVISO

Per ulteriori informazioni sul sistema Pedelec, consultare la sezione Componenti del Sistema di Servoassistenza Elettrica.



1. Guaina cambio (meccanico)
2. Deragliatore XT Di2 (configurazioni aftermarket)
3. Linea freno posteriore
4. Comando reggisella telescopico
- 5.1. Cablaggio RS Gen2. Connessione motore EP801/EP6
- 5.2. Cablaggio RS Gen2. Porta di ricarica
6. Sensore velocità EW-SS301
7. Cavo Shimano EW-SD300 1200 mm (per collegamento alla giunzione o al display)

\*Vd. Sezione Collegamenti motore

\*\* Vd. sezione Cablaggio Di2 su manubrio e attacco manubrio

## PASSAGGIO DEI CAVI DEI COMPONENTI SHIMANO NELL'ATTACCO MANUBRIO E NEL MANUBRIO.

La Rise monta i manubri della gamma OC Components Mountain Control che presentano un foro nella parte posteriore dell'area di fissaggio dell'attacco manubrio e un foro a ciascuna estremità del manubrio per consentire il passaggio interno dei cavi del comando del sistema elettrico e del comando cambio Di2 (configurazioni aftermarket).

È possibile montare manubri non-OC senza opzione di cablaggio interno al manubrio. In questo caso, i cavi del telecomando dell'impianto elettrico e del comando cambio Di2 verranno fatti passare all'esterno del manubrio montato.

Gli attacchi manubrio della gamma Mountain Control installati consentono ai cavi dell'impianto elettrico di passare attraverso una fessura nella parte inferiore dell'attacco manubrio per poi passare all'interno del manubrio OC. A seconda della configurazione specifica, un connettore Shimano Di2 potrà essere stato installato all'interno dell'attacco manubrio OC (vedere le immagini seguenti per le diverse opzioni di assemblaggio).

### AVVISO

Se il manubrio OC montato originariamente sulla bicicletta viene sostituito, il nuovo manubrio dovrà consentire il passaggio interno dei cavi dei componenti elettronici. In caso contrario, i cavi di questi componenti dovranno essere fatti passare all'esterno del manubrio e dell'attacco manubrio.

Se si monta un attacco manubrio non-OC utilizzando il collettore universale per la serie sterzo HS02 (consultare il manuale specifico [Standard Attacchi Manubrio ICR Orbea](#)), potrebbe essere necessario far passare il cablaggio dell'impianto elettrico e il connettore Di2 all'esterno dell'attacco manubrio se l'attacco di nuova installazione non dispone di un'opzione per il cablaggio interno.

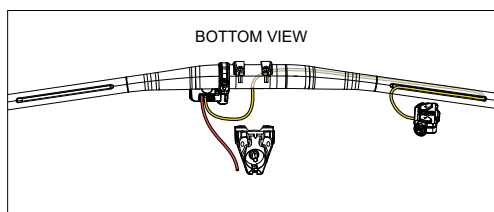
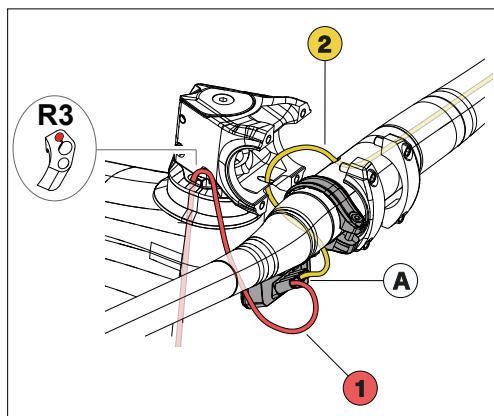
Orbea non garantisce la compatibilità di attacchi manubrio non specificati nelle configurazioni originali Orbea. Verificare la fattibilità del montaggio di nuovi componenti prima di installarli. Le eventuali lesioni personali e i danni materiali ascrivibili all'uso di componenti non compatibili e/o a un'installazione non corretta non sono coperti dalle condizioni di garanzia.

### AVVISO

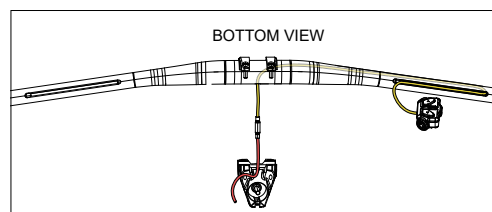
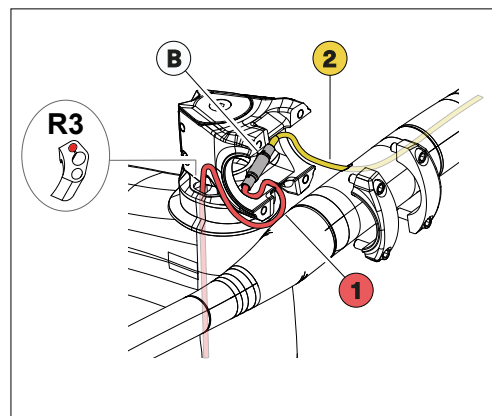
Per ulteriori informazioni sul sistema Pedelec, consultare la sezione Componenti del Sistema di Servoassistenza Elettrica.

**CABLAGGIO ATTACCO MANUBRIO OC MOUNTAIN CONTROL HS02 E MANUBRIO OC MOUNTAIN CONTROL**

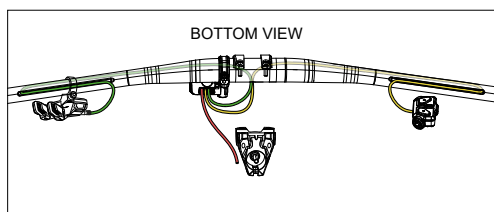
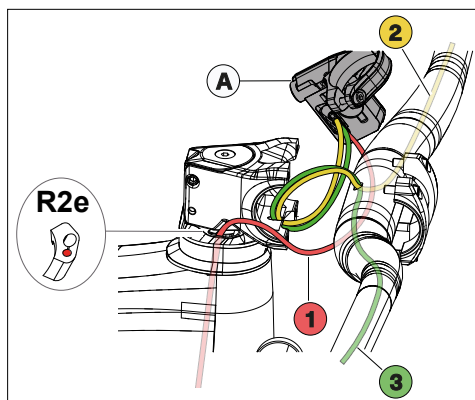
**OPZIONE 1** Con display Shimano SC-EN600. Sistema di trasmissione meccanico



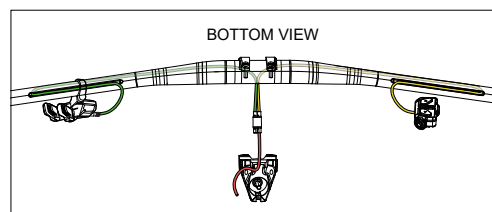
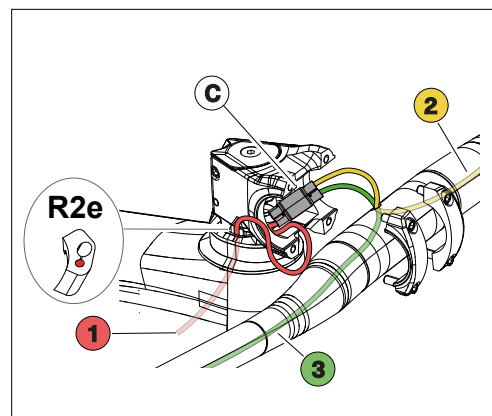
**OPZIONE 2** Senza display Shimano SC-EN600. Sistema di trasmissione meccanico



**OPZIONE 3** Con display Shimano SC-EN600. Sistema di trasmissione Di2



**OPZIONE 4** Senza display Shimano SC-EN600. Sistema di trasmissione Di2



1. Cavo Shimano EW-SD300 1200 mm (collegato al motore)

2. Cavo Shimano EW-SD300 700 mm (per comando SW-EN600)

3. Cavo Shimano EW-SD300 700 mm (con comando Di2 SW-M8150-IR - configurazioni aftermarket-)

A. Display Shimano SC-EN600

B. Giunzione EW-JC302

C. Giunzione EW-JC304 (configurazioni aftermarket)

## 22 COMPONENTI DEL SISTEMA DI SERVOASSISTENZA ELETTRICA

### AVVISO

L'installazione dei componenti del sistema di servoassistenza elettrica richiede conoscenze avanzate che potrebbero andare oltre le capacità della maggior parte degli utenti.

Rivolgersi sempre a un rivenditore ufficiale per la diagnosi, la riparazione e l'installazione dei componenti dell'impianto elettrico.

I danni ai componenti causati da un'installazione non corretta potrebbero far decadere la garanzia su tali componenti

### AVVISO

**AVVERTENZA COMPATIBILITÀ. COMPONENTI SISTEMA ELETTRICO GEN2:** Consultare il documento sulla compatibilità incrociata per i componenti dei sistemi Orbea Ebike cliccando [qui](#) o sul nostro sito web: **Assistenza > Manuali > Componenti Ebike**

## DIAGRAMMA COLLEGAMENTO COMPONENTI

La configurazione del cablaggio sul manubrio e all'interno dell'attacco manubrio varia a seconda dell'opzione di montaggio con o senza display Shimano e con trasmissione meccanica o elettronica (vd. sezione Cablaggio di questo manuale). Tutte le configurazioni utilizzano un cavo EW-SD300 da 1200 mm dal motore Shimano EP801. Il motore Shimano EP801 utilizza lo standard di cablaggio Di2/STEPS EW-SD300. Per i componenti utilizzati e il cablaggio di ciascun componente per ciascun tipo di opzione, vedere le immagini di questa sezione. Per individuare il percorso dei cavi dell'impianto elettrico nel telaio, nell'attacco manubrio e nel manubrio, consultare la sezione relativa al cablaggio di questo manuale.

### AVVISO

Consultare la sezione ricambi di questo manuale per trovare i codici dei ricambi.

<b>A.</b>	Con display Shimano SC-EN600. Sistema di trasmissione meccanico	<b>C.</b>	Con display Shimano SC-EN600. Sistema di trasmissione Di2. Configurazioni aftermarket
<b>B.</b>	Senza display Shimano SC-EN600. Sistema di trasmissione meccanico	<b>D.</b>	Senza display Shimano SC-EN600. Sistema di trasmissione Di2. Configurazioni aftermarket

COMPONENTI ORBEA EBIKE SYSTEMS		COMPONENTI SHIMANO*	
1.	Batteria 420 Wh Gen2	8.	Motore EP801/EP6
2.	Batteria 630 Wh Gen2	9.	Telecomando SW-EN600-L
3.	Range Extender RS 210 Wh Gen2	10.	Display SC-EN600 (opzionale)
4.	Smart Charger Gen2	11.	Comando XT Di2 SW-M8150-IR (configurazioni aftermarket)
5.	Sportellino punto di ricarica Rise 2025	12.	Deragliatore XT Di2 RD-M8150-12 (configurazioni aftermarket)
6.	Cablaggio batteria-motore-punto di ricarica Rise 2025 Gen2	13.	Giunzione EW-JC302 (nel manubrio)
7.	Cavo Range Extender 210 Wh RS 120 mm	14.	Giunzione EW-JC304 (nel manubrio)
		15.	Sensore velocità EW-SS301 (nel fodero basso sx)
		16.	Cavo EW-SD300 1200 mm
		17.	Cavo EW-SD300 1200 mm
		18.	Magnete del sensore di velocità (vd. tabella compatibilità dischi)



**COMPONENTI SHIMANO\***

1. Sensore velocità EW-SS301
2. Cavo EW-SD300 1200 mm al deragliatore XT Di2 (configurazioni aftermarket)
3. Cavo da EW-SD300 al cockpit 1200 mm

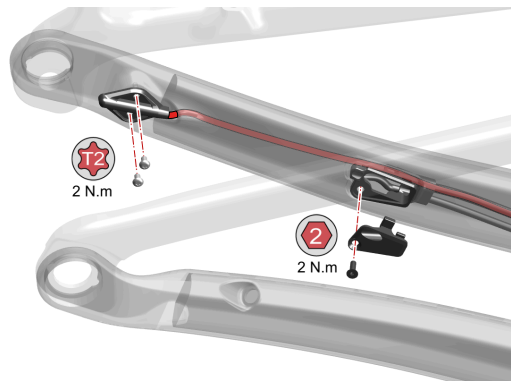
**COMPONENTI ORBEA EBIKE SYSTEMS**

- 4.1. Cablaggio RS Gen2. Connessione motore EP801/EP6
- 4.2. Cablaggio RS Gen2. Porta di ricarica

## SENSORE DI VELOCITÀ. DISCHI FRENO E MAGNETI COMPATIBILI

**AVVISO**

Per sostituire il sensore di velocità non occorre smontare il forcellone. Sarà necessario rimuovere il motore per accedere ai collegamenti e scollegare/collegare il sensore di velocità (consultare le sezioni Montaggio del motore e Cablaggio dell'alloggiamento del motore di questo manuale). Aprire la porta Cable Pass sul fodero basso sx per far passare il nuovo cavo del sensore attraverso il tubo Cable Pass fino all'area del motore.



### COMPATIBILITÀ DEI FRENI A DISCO POSTERIORI

Il sensore di velocità EW-SS301 montato sulla Rise è progettato per l'utilizzo di dischi freno posteriori con magnete integrato nello spider del disco.

**DISCHI A 6 BULLONI:** La maggior parte dei dischi a 6 bulloni senza magnete integrato è compatibile con l'uso del magnete Orbea X240. I dischi a 6 bulloni con magnete integrato nello spider sono compatibili.

**ROTORI CENTERLOCK:** Il sensore di velocità EW-SS301 è compatibile solo con i dischi con il magnete integrato nello spider. I dischi freno senza il magnete integrato nello spider, e quindi con magnete integrato nel dado di fissaggio Centerlock, non sono compatibili.

**OPZIONI COMPATIBILI****CENTERLOCK****MAGNETE**

Integrato nello spider

**DISCHI CENTERLOCK:**  
(180-203 mm)

**6 BULLONI****MAGNETE**

Magnete Orbea a 6 bulloni  
**X240**

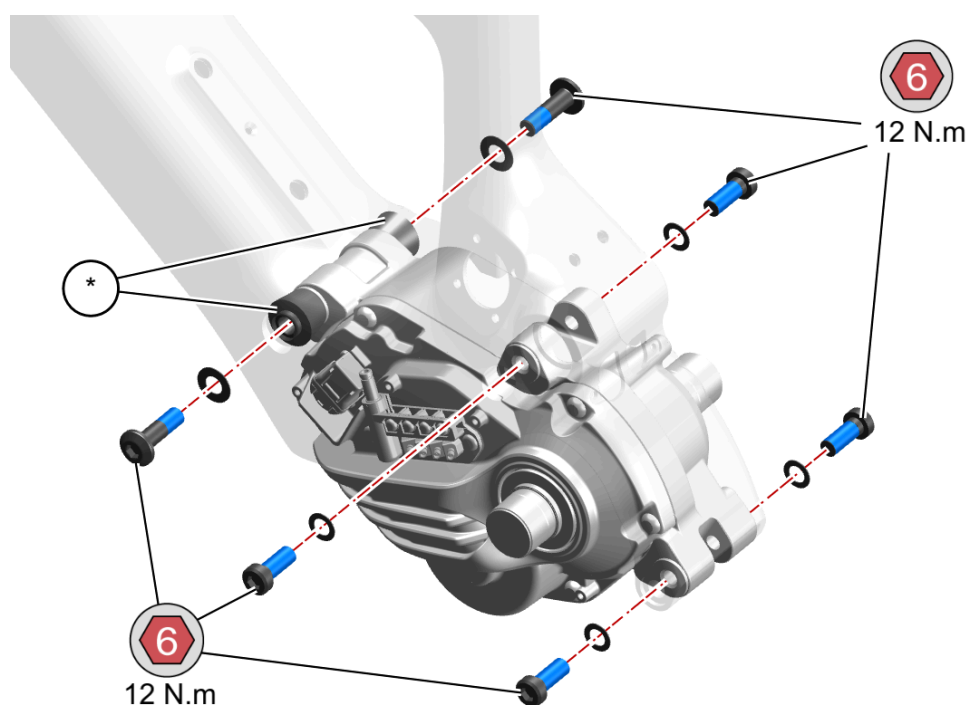
Integrato nello spider



OPZIONI NON COMPATIBILI			
CENTERLOCK		6 BULLONI	
DISCHI	MAGNETE	DISCHI	MAGNETE
DISCHI CENTERLOCK: (Senza magnete integrato nello spider)	Magnete Orbea Centerlock <b>X095</b>	DISCHI A 6 BULLONI (Senza magnete integrato nello spider)	Magnete Orbea a 6 bulloni <b>XA90</b>
	Magnete Orbea Centerlock <b>XB18</b>		Magnete Orbea a 6 bulloni <b>XA91</b>
	Nel dado Centerlock		



## FISSAGGIO DEL MOTORE SUL TELAIO



COLORE	TIPO DI COMPOSTO	DESCRIZIONE
	BLOCCAGGIO	FRENAFILETTI: forza media. Loctite tipo 243.

\* I distanziali sono installati all'interno, tra il motore e il telaio.

## BATTERIA INTERNA

### SPECIFICHE TECNICHE BATTERIA INTERNA

#### AVVISO

Consultare le specifiche tecniche delle batterie interne Orbea Gen 2 montate sulla Rise nella sezione Specifiche tecniche dei sistemi Ebike Gen 2 di questo manuale.

Verificare le avvertenze e le raccomandazioni relative alla carica, all'uso e allo stoccaggio della batteria interna riportate nelle sezioni Uso della Rise e Avvertenze sull'uso del Sistema di Servoassistenza Elettrica in questo manuale.

## FISSAGGIO DELLA BATTERIA INTERNA AL TELAIO

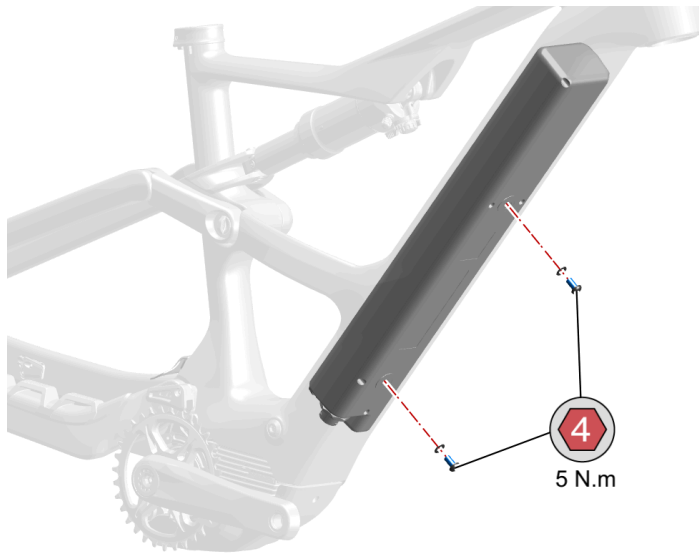
### AVVISO

Il metodo per fissare batteria interna al telaio è lo stesso per tutti i modelli di batteria interna Orbea Gen2 compatibili con i modelli Rise.

Per la procedura di montaggio completa, consultare la sezione sulla rimozione e installazione della batteria interna.



Per fissare la batteria interna al telaio della Rise, utilizzare unicamente bulloni originali Orbea.



COLORE	TIPO DI COMPOSTO	DESCRIZIONE
	BLOCCAGGIO	Frenafretilti: forza media. Loctite tipo 243.

## COLLEGAMENTO DEL CABLAGGIO ALLA BATTERIA INTERNA

Per collegare il cablaggio alla batteria interna (dopo aver preventivamente smontato il motore EP801/EP6 Shimano), occorre verificare che i pin e la linguetta del cavo e della porta della batteria siano correttamente posizionati.

Quando i connettori del cavo e della batteria avranno fatto contatto, ruotare l'anello di bloccaggio del cavo in senso antiorario e spingere il connettore del cavo nel connettore della batteria.

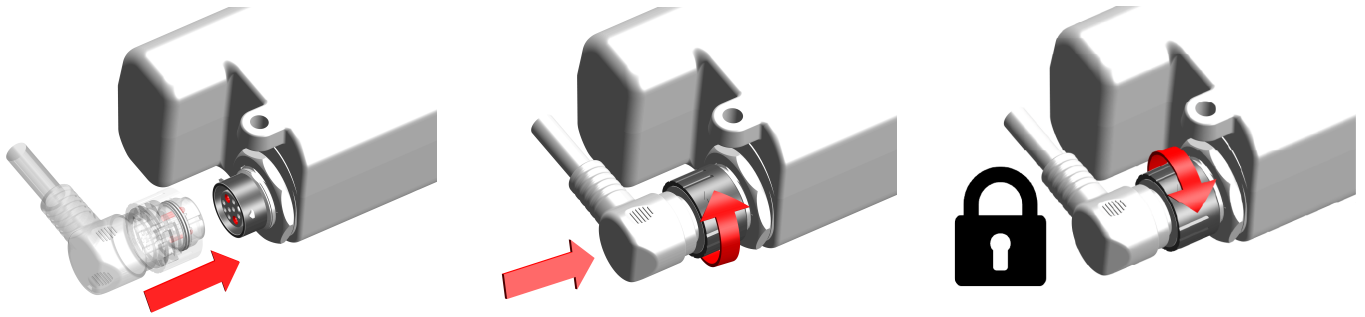
Dopo aver completato il collegamento tra il cavo e la batteria, rilasciare l'anello di bloccaggio in modo che ritorni nella posizione originale e assicuri il collegamento.

Se l'anello di bloccaggio non ritorna nella sua posizione originale dopo averlo rilasciato, il collegamento non sarà sicuro.

È possibile tirare delicatamente il connettore del cablaggio per verificare che sia saldamente connesso alla batteria interna.

Consultare la procedura di estrazione e di installazione della batteria interna riportata nel presente manuale.





## RISOLUZIONE DEI PROBLEMI DELLA BATTERIA INTERNA (INFORMAZIONI PER I DISTRIBUTORI)

Le batterie interne Orbea Ebike Systems Gen2 non sono dotate di LED per visualizzare i codici di errore della batteria e la risoluzione dei problemi non può essere eseguita con l'app E-Tube Professional. Se si verifica un problema nel sistema elettrico della Rise, utilizzare l'app Etube Professional per verificare che il problema non risieda in altri componenti Shimano del sistema elettrico.

Contattare Shimano per fornire un rapporto sul sistema nell'ambito di una segnalazione specifica. Se Shimano dovesse rispondere che il problema riguarda la batteria interna, contattare Orbea attraverso una segnalazione specifica.

### AVVISO

Per il metodo di connessione allo strumento di diagnostica, consultare la sezione Collegamento all'app Etube Professional di questo manuale.

## RIMOZIONE DELLA BATTERIA INTERNA (INFORMAZIONI PER I RIVENDITORI)

### AVVISO

L'installazione e la rimozione dei componenti del sistema di servoassistenza elettrica richiede conoscenze meccaniche avanzate che potrebbero andare oltre le capacità della maggior parte degli utenti. Rivolgersi sempre a un rivenditore ufficiale per la diagnosi, la riparazione e l'installazione dei componenti dell'impianto elettrico. I danni ai componenti causati da operazioni non corrette potrebbero far decadere la garanzia su tali componenti.

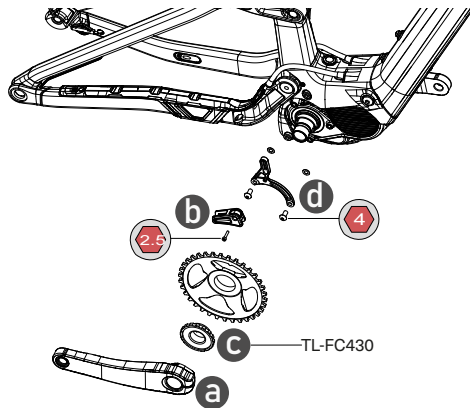


Orbea consiglia di far effettuare la sostituzione delle batterie interne solo dai concessionari Orbea autorizzati, in quanto l'operazione richiede lo smontaggio dei componenti principali della bicicletta e dell'impianto elettrico. Se si intende viaggiare con la bici al seguito e occorre rimuovere la batteria, affidarsi sempre a un rivenditore Orbea per evitare danni ai materiali e per garantire che tutti i componenti continuino a funzionare in modo corretto e sicuro. L'errata installazione dei componenti può causarne il malfunzionamento, con il rischio di gravi incidenti e lesioni

### AVVISO

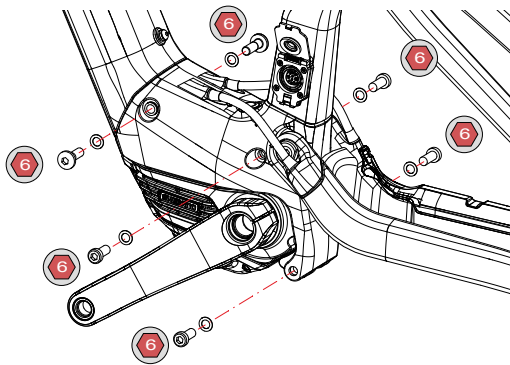
Il metodo per la rimozione della batteria interna al telaio è lo stesso per tutti i modelli di batteria interna Orbea Gen2 compatibili con i modelli Rise.

1



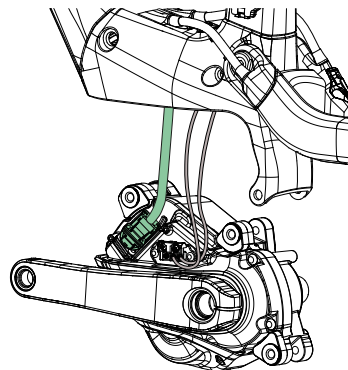
- a. Rimuovere la pedivella dx seguendo la procedura consigliata dal produttore:  
[https://si.shimano.com/dm/DUE001/install\\_chainring\\_crank\\_arms](https://si.shimano.com/dm/DUE001/install_chainring_crank_arms)
- b. Rimuovere la parte superiore del guidacatena per poter smontare la corona.
- c. Rimuovere la ghiera di bloccaggio Shimano dalla corona per consentirne la rimozione. La ghiera di bloccaggio si allenta ruotandola verso destra. Per poter bloccare la rotazione della corona fermando la ruota posteriore, per consentire l'allentamento della ghiera, la ruota posteriore e la cinghia/catena dovranno essere montate sulla bici. Utilizzare gli utensili Shimano TL-FC430 unitamente agli utensili TL-FC36, TL-FC33 o TL-FC32 (sono tutti e tre compatibili) per la rimozione della ghiera di bloccaggio.
- d. Rimuovere il corpo del guidacatena per avere accesso ai bulloni di fissaggio del motore.

2



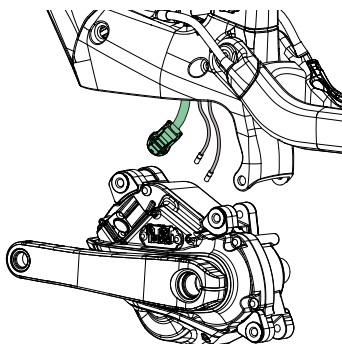
Rimuovere i bulloni e le rondelle che fissano il motore al telaio utilizzando una chiave a brugola da 6 mm.

3



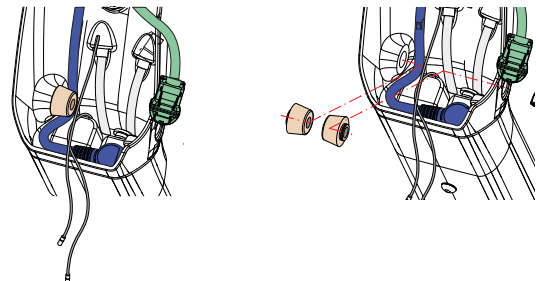
Rimuovere il motore dal telaio con delicatezza, per evitare di danneggiare i cavi.

4



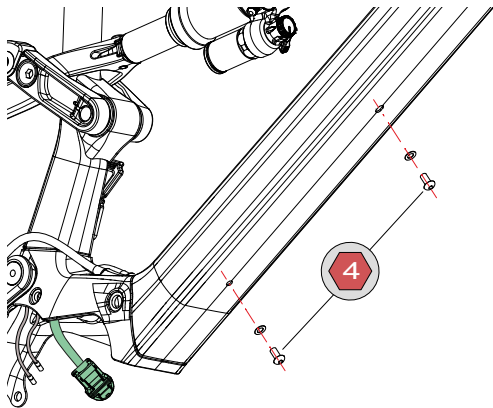
Scollegare il cavo dalla batteria al motore e i cavi del sensore di velocità, quello che parte dal cockpit e quello che parte dal deragliatore Di2 (nelle configurazioni con deragliatore elettronico).

5



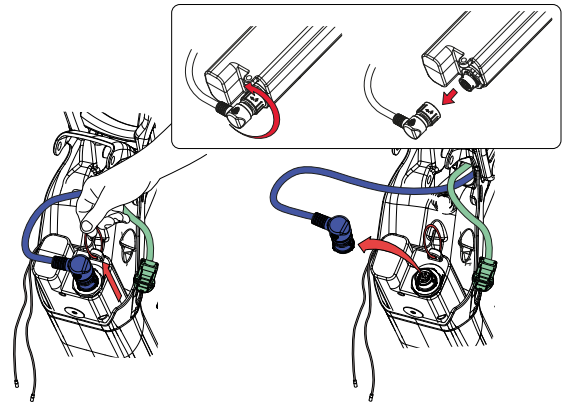
Rimuovere le boccole superiori di fissaggio del motore. Nell'installare nuovamente le boccole al momento dell'installazione del motore, ricordare che il cavo di collegamento alla batteria deve essere fatto passare sopra la boccola sinistra, per consentire l'installazione del motore.

6



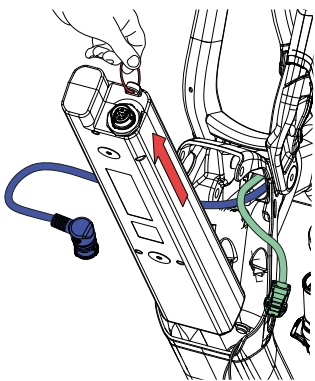
Rimuovere i bulloni e le rondelle che fissano la batteria interna al tubo obliquo.

7



Tirare il cavo della batteria per rimuoverla dal tubo obliquo, fino a quando il connettore del cavo della batteria risulta facilmente accessibile. Scollegare il cavo della batteria ruotando la ghiera di bloccaggio verso sinistra e tirando il connettore.

8



Rimuovere la batteria interna dal tubo obliquo.

## INSTALLAZIONE DELLA BATTERIA INTERNA

Per reinstallare la batteria interna, seguire la procedura inversa a quella di rimozione.

Verificare le istruzioni per il passaggio dei cavi e le coppie di serraggio di ciascun componente nella sezione specifica del presente manuale.

Per la corretta installazione della ghiera di fissaggio Shimano sulla corona e sulle pedivelle, consultare la documentazione del produttore.

[https://si.shimano.com/dm/DUE001/install\\_chainring\\_crank\\_arms](https://si.shimano.com/dm/DUE001/install_chainring_crank_arms)

## RANGE EXTENDER RS 210 WH GEN2

La batteria esterna Orbea Range Extender si collega al sistema di servoassistenza erogando 210 Wh di capacità aggiuntiva.

### AVVISO SULLA COMPATIBILITÀ

#### AVVISO

La batteria esterna RS 210 Wh Gen2 Range Extender è compatibile esclusivamente con le bici elettriche Orbea dotate del sistema di servoassistenza elettrica Orbea Ebike Systems Gen2 con motori Shimano EP801/EP8 e firmware RS Mountain Control.

Vd. [qui](#) per la compatibilità dei componenti Orbea Ebike System con i modelli di bici Orbea.

### SPECIFICHE TECNICHE

#### BATTERIA ESTERNA RS 210 Wh GEN2 RANGE EXTENDER

<b>TENSIONE</b>	36 V
<b>CAPACITÀ</b>	210 Wh
<b>PESO</b>	1,03 kg circa
<b>CELLE</b>	Ioni di litio. LG INR21700M58T
<b>TEMPO DI RICARICA 100% (2A)</b> Con caricabatterie RS Smart Charger Gen2	3 ore
<b>TEMPO DI RICARICA 80% (2A)</b> Con caricabatterie RS Smart Charger Gen2	2 ore
<b>INTERVALLI TEMPERATURA D'ESERCIZIO</b>	Carica: 0°C — 40°C Scarica (utilizzo): -10°C — 40°C Stoccaggio: 0°C — 35°C (umidità 5% — 65%)
<b>MONTAGGIO</b>	Portaborraccia specifico sul tubo obliquo
<b>COLLEGAMENTO</b>	Cavo Rise specifico 120 mm
<b>GUARNIZIONI DI TENUTA</b>	IPX6
<b>CERTIFICAZIONI</b>	ISO13849 > ISO13849-1:2015 IEC62133 > IEC62133:2017 UN 38.3 Corea: KC XU103387-24003 US (UL) SGS 802543
<b>COMPATIBILITÀ</b>	Compatibile con sistemi Orbea Ebike Systems Gen2 MC <a href="#">Vd. tabella compatibilità</a>



## RICARICA DEL RANGE EXTENDER

### AVVISO

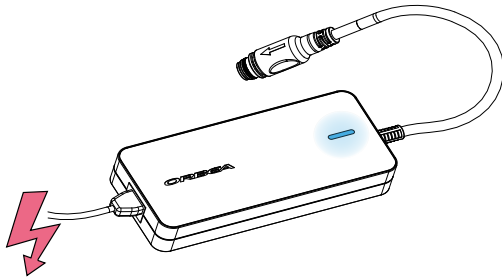
Prima di utilizzare il Range Extender per la prima volta, dovrà essere caricato completamente.

Per prolungare la durata della batteria, ricaricare il Range Extender non appena possibile, dopo l'uso.

Evitare di lasciare il caricabatterie costantemente collegato alla batteria per lunghi periodi di tempo e controllare il processo di ricarica per poter scollegare il caricabatterie in caso di anomalie quali fumo, odore di bruciato o fiamme. Il caricabatterie RS smart charger è progettato per interrompere il processo di ricarica quando la batteria è completamente carica. In questo modo si eviteranno possibili danni alle celle e sarà possibile caricare la batteria senza inconvenienti. Tuttavia, è sempre consigliabile supervisionare il processo di ricarica per evitare danni se il caricabatterie non dovesse funzionare correttamente.

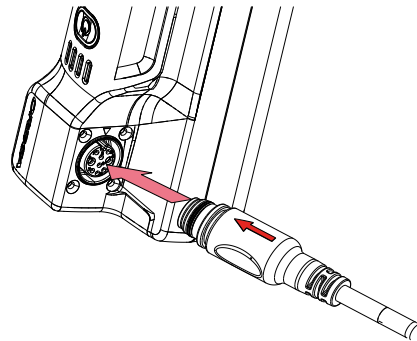
Le batterie agli ioni di litio sono sensibili alla temperatura durante il processo di ricarica. Rispettare sempre gli intervalli delle temperature di carica, scarica e conservazione indicati nella tabella delle specifiche tecniche del Range Extender.

1



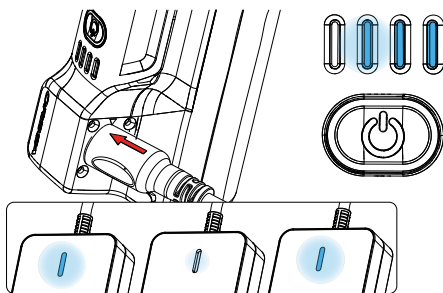
Collegare il caricabatterie Smart Charger Gen2 a una presa elettrica. Il LED del caricabatterie lampeggia nel colore blu quando non è collegato alla batteria

2



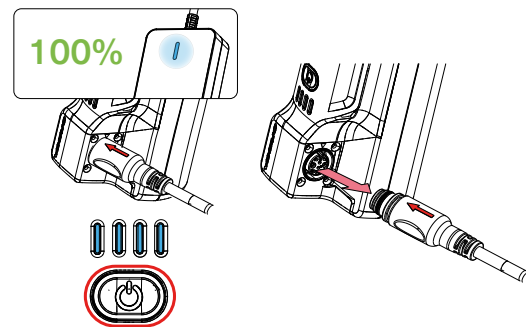
Collegare il caricabatterie al Range Extender, allineando nel modo corretto i pin della porta di ricarica con quelli del connettore del caricabatterie.

3



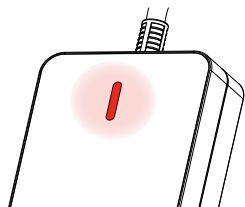
Il LED del caricabatterie si accende nel colore blu fisso per 2 secondi, quindi inizia ad accendersi e a spegnersi sfumando ciclicamente fino a quando la batteria è completamente carica. Mentre il Range Extender è in ricarica, i LED che indicano la carica mostreranno il livello di carica corrente raggiunto dalla batteria. Il LED lampeggiante indica la percentuale di carica raggiunta (in segmenti pari al 25%).

4



Quando la batteria è completamente carica, il LED del caricabatterie si accende di nuovo nella colorazione blu fissa. È possibile verificare il livello di carica del Range Extender premendo il pulsante di accensione. Scollegare il caricabatterie dalla porta di ricarica con attenzione, estraendo delicatamente il connettore.

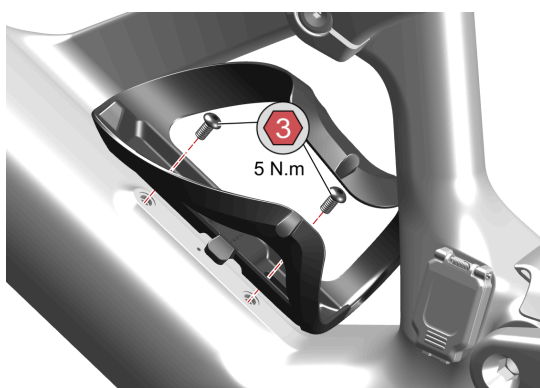
Continues next page >

**ERROR!**

Se il LED del caricabatterie si accende nella colorazione rossa quando il caricabatterie è collegato a una presa di corrente o durante la ricarica, questo indica la presenza di un problema. Scollegare immediatamente il caricabatterie e consultare la sezione dei metodi per la risoluzione dei problemi del caricabatterie nel presente manuale. Se il problema persiste, contattare un rivenditore autorizzato Orbea.

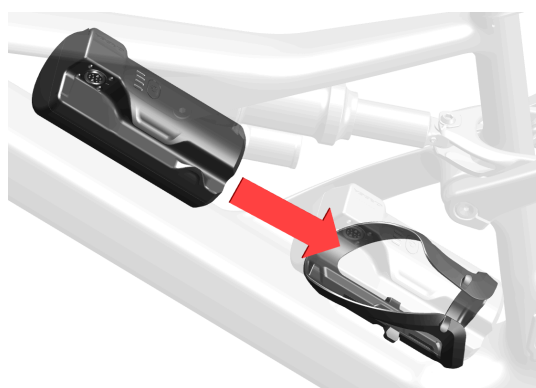
## MONTAGGIO DEL RANGE EXTENDER

1



Se il supporto specifico per il Range Extender RS 210 Wh viene montato su una bici non compatibile, effettuare il montaggio con i bulloni originali installati sul telaio (senza utilizzare le rondelle tra il supporto del Range Extender e il telaio).

2



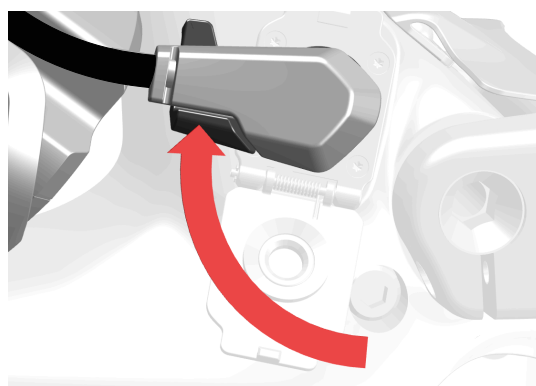
Inserire la batteria del Range Extender sul supporto dal lato sinistro della bicicletta.

3



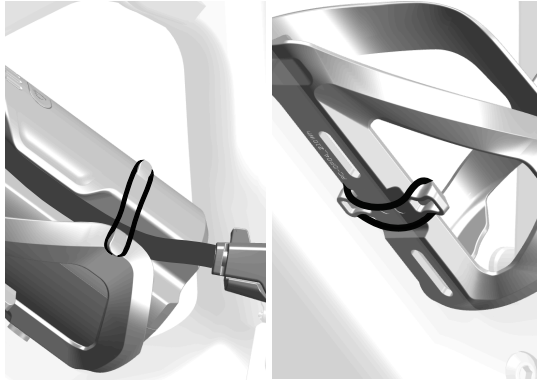
Installare l'estremità senza linguetta del cavo di collegamento specifico del Range Extender RS 210 Wh alla batteria esterna. Aprire il coperchio del punto di ricarica della bicicletta per collegare l'altra estremità del cavo del Range Extender. Aprire la linguetta di sicurezza sul connettore del cavo prima di effettuare il collegamento e collegare il cavo al punto di ricarica.

4



Dopo aver collegato il cavo al punto di ricarica, chiudere la linguetta di sicurezza sul connettore per stabilizzare il collegamento.

5



Fissare la batteria al supporto e assicurarla con la fascetta di sicurezza in gomma. Quando il Range Extender non è in uso, l'elastico può rimanere nella parte inferiore del supporto.

## FUNZIONAMENTO DEL RANGE EXTENDER

### EROGAZIONE DELL'ALIMENTAZIONE AL MOTORE

Il Range Extender alimenta direttamente i motori Shimano EP801 ed EP6. Quando si utilizza una bici Orbea compatibile con il Range Extender collegato, il motore sarà alimentato esclusivamente dal Range Extender fino all'esaurimento della sua carica.

Dopo aver esaurito la carica del Range Extender, la batteria interna, se contiene una carica residua, inizierà ad erogare energia al motore. A partire da questo momento, il campo dati del display, del comando o dell'app Orbea RS Toolbox inizieranno visualizzare esclusivamente il livello di carica della batteria interna.

### COLLEGAMENTO ALLA BICICLETTA

Se il Range Extender è stato collegato alla bicicletta e la bici è spenta, quando si accenderà la bicicletta, il sistema di servoassistenza riconoscerà la batteria esterna come suo componente e solo il Range Extender fornirà energia al motore. Per accendere il Range Extender non occorre premere il pulsante sulla batteria.

Se la bici era già accesa quando il Range Extender è stato collegato, il sistema di servoassistenza riconoscerà la batteria esterna come suo componente e solo il Range Extender fornirà energia al motore. Per accendere il Range Extender non occorre premere il pulsante sulla batteria.

**SPEGNERE IL RANGE EXTENDER COLLEGATO ALLA BICI:** Quando il Range Extender è collegato alla bici e la bici è accesa, sarà possibile spegnere il Range Extender premendo il pulsante principale del Range Extender per 3 secondi. In questo caso, la bicicletta rimarrà accesa e il sistema sarà alimentato esclusivamente dalla batteria interna.

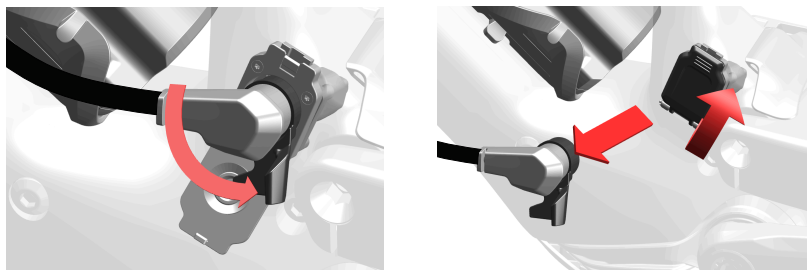
Non è possibile riaccendere il Range Extender premendo il pulsante principale sul Range Extender mentre questo è collegato alla bici accesa. In questo caso è necessario spegnere la bicicletta (con il Range Extender ancora collegato) e riaccenderla affinché il sistema riconosca nuovamente la batteria esterna.

Se il Range Extender viene scollegato dalla bici accesa (avendo precedentemente spento il Range Extender) e si ricollega il Range Extender alla bici accesa, il sistema non riconoscerà il Range Extender. Sarà necessario spegnere e riaccendere la bicicletta perché il sistema possa riconoscere il Range Extender.

### SCOLLEGARE IL RANGE EXTENDER

Per scollegare il Range Extender dalla bici, ruotare la linguetta di bloccaggio sul cavo di collegamento del Range Extender e tirare delicatamente il connettore del cavo del Range Extender. Una volta scollegato il cavo, chiudere lo sportello del punto di ricarica della bicicletta.

Se il Range Extender viene scollegato dal punto di ricarica della bicicletta mentre è acceso, la bici si spegne e sarà necessario riaccenderla per far sì che il sistema sia alimentato esclusivamente dalla batteria interna.



## FUNZIONE DI LIMITAZIONE DELL'EROGAZIONE DELLA POTENZA

### AVVISO

Quando il Range Extender è collegato alla bicicletta, il motore limita l'erogazione di potenza per adattarla alle caratteristiche di erogazione di corrente del Range Extender e prolungare la durata della batteria. Le caratteristiche della servoassistenza per ciascun livello e la possibilità di cambiare il livello di servoassistenza si manterranno entro il nuovo limite di potenza. Questo limite di erogazione della potenza del motore potrebbe risultare più evidente per i livelli di servoassistenza più elevati.

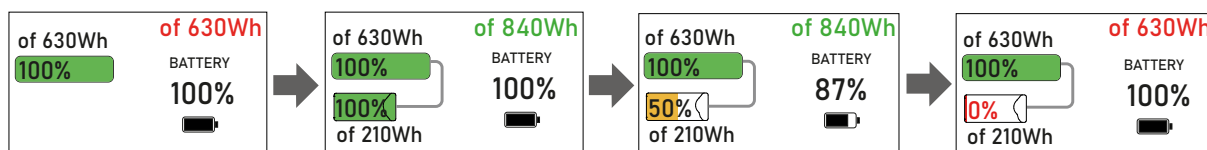
Orbea consiglia di non modificare le caratteristiche di servoassistenza e coppia dei livelli di servoassistenza aumentandole con l'applicazione Shimano Etube. Le impostazioni del motore sulle bici compatibili con il Range Extender sono ottimizzate per l'uso con la batteria interna e il Range Extender.

## VISUALIZZAZIONE LIVELLO DI CARICA

### LIVELLO DI CARICA COMPLESSIVO

Con il Range Extender collegato alla bici (consultare la sezione Connessioni), il sistema calcolerà la capacità totale di entrambe le batterie e i dati sulla carica residua del sistema corrisponderanno alla somma dei livelli di carica in relazione alla capacità di entrambe le batterie. Il livello di carica combinato sarà visibile sul telecomando o i display Shimano e/o nel campo dati Orbea RS Toolbox per i dispositivi Garmin.

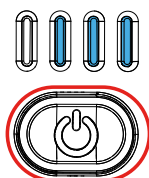
Quando il Range Extender è collegato alla bicicletta e la sua carica si esaurisce, il sistema visualizzerà nuovamente tramite i dispositivi disponibili (display, interruttore o RS Toolbox), solo la carica residua disponibile della batteria interna tenendo conto della capacità totale della batteria interna, e non la capacità totale combinata della batteria interna e del Range Extender.



\* Questo grafico illustra le prestazioni del Range Extender installato unitamente alla batteria interna Orbea RS da 630 Wh. Batterie interne con capacità diverse genereranno risultati diversi in termini di capacità complessiva.

### LIVELLO DI CARICA DEL RANGE EXTENDER, SEPARATAMENTE

Per conoscere il livello di carica corrente, premere una volta il pulsante principale della batteria Range Extender. Le luci LED mostreranno il livello di carica corrente per incrementi del 25% da destra a sinistra, accendendosi per 5 secondi.





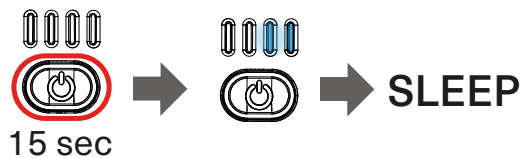
## STOCCAGGIO DEL RANGE EXTENDER

### AVVISO

Se si prevede di lasciare il Range Extender inutilizzato per un lungo periodo di tempo, ricaricarlo fino al 50% della sua capacità e verificare il livello di carica ogni 3 mesi (ricaricare fino al 50%). Per evitare danni alle celle, non lasciare mai che il livello di carica scenda sotto il 10%.

### MODALITÀ SLEEP

Se si prevede di lasciare il Range Extender inutilizzato per un lungo periodo di tempo, Orbea consiglia di mettere il Range Extender in Modalità Sleep per proteggere la batteria. Tenere premuto il pulsante principale del Range Extender per 15 secondi. I LED 1 e 2 si accenderanno alternativamente per poi spegnersi. Il Range Extender è in modalità sleep. Per riattivarlo, collegare lo Smart Charger Gen2 al Range Extender (con il caricabatterie collegato alla presa). Si riattiverà immediatamente e inizierà la ricarica.



**MODALITÀ SLEEP AUTOMATICA:** Se la tensione del Range Extender (in carica) rimane al di sotto di 31 V per 7 giorni o di 35 V per 3 mesi consecutivi, il Range Extender entrerà automaticamente in modalità Sleep. Per riattivare il Range Extender, collegare lo Smart Charger Gen2 al Range Extender (con il caricabatterie collegato alla presa). Si riattiverà immediatamente e inizierà la ricarica.

### AVVISO

Prima di utilizzare il Range Extender, soprattutto se non è stato usato di recente, è consigliabile premere il pulsante principale del Range Extender per verificarne lo stato. Se quando si preme il pulsante principale i LED si accendono indicando il livello di carica, il Range Extender è operativo. Se i LED non si accendono, la batteria del Range Extender potrebbe essere scarica o il Range Extender potrebbe essere entrato in modalità Sleep. Collegare lo Smart Charger Gen2 al Range Extender (con il caricabatterie collegato alla presa). Si riattiverà immediatamente e inizierà la ricarica.

## VERIFICA DELLO STATO DI SALUTE DEL RANGE EXTENDER

Lo stato di salute (vita utile) delle batterie agli ioni di litio si riduce progressivamente in relazione ai cicli di ricarica e alle condizioni di utilizzo della batteria.

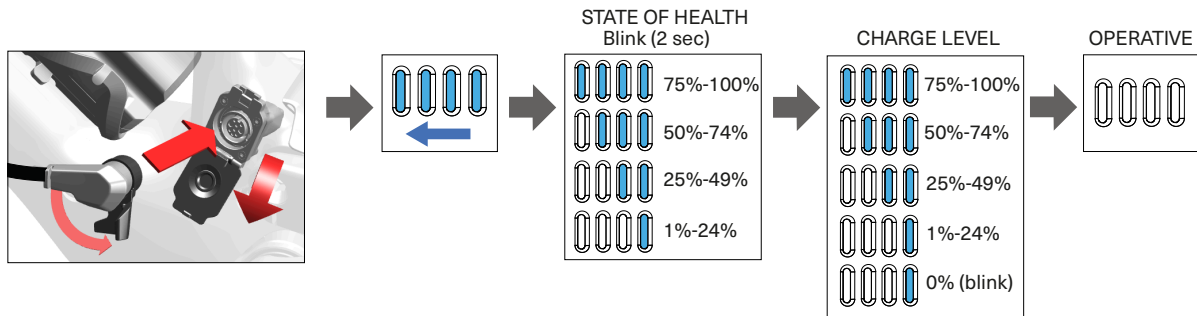
In situazioni d'uso normali, rispettando le condizioni e gli intervalli di temperatura per l'utilizzo, la ricarica e lo stoccaggio la vita utile delle batterie Orbea Ebike Systems si ridurrà di circa il 20% dopo 500 cicli di ricarica completi

### AVVISO

I dati sullo stato di salute della batteria si riferiscono a condizioni di utilizzo ideali. Su ciò possono influire l'uso, lo stoccaggio e la ricarica con temperature molto basse, lo stoccaggio delle batterie per lunghi periodi di tempo senza ripristinare il livello di carica, l'uso ripetuto delle batterie con livelli di carica molto bassi, ecc.

Per conoscere lo stato di salute del Range Extender, collegare la batteria a una bicicletta compatibile e accendere la bici con il Range Extender collegato.

Per indicare lo stato di salute della batteria i quattro LED del Range Extender si accenderanno spostandosi verso sinistra e lampeggeranno per 2 secondi. Poi rimarranno accesi fissi per indicare il livello di carica attuale della batteria, e infine si spegneranno.



## SOLUZIONE DEI PROBLEMI

Se il Range Extender non si ricarica o non alimenta il motore, premere una volta il pulsante principale del Range Extender. Se viene rilevato un errore nella batteria, i LED visualizzeranno il relativo codice di errore. Consultare la tabella seguente per informazioni sull'errore e sui metodi per risolverlo:

### AVVISO

Quando nella tabella seguente si suggerisce di "contattare Orbea", questo vale se la diagnostica della batteria viene eseguita da un rivenditore.

Se l'utente finale non è in grado di risolvere un errore o un malfunzionamento seguendo le istruzioni della tabella seguente, dovrà rivolgersi a un rivenditore autorizzato Orbea, che provvederà a gestire il problema con Orbea.

CONDIZIONE	POSSIBILE CAUSA	SOLUZIONE
Nessuna alimentazione al motore	Il cavo non è collegato correttamente	Collegare il cavo correttamente come descritto nel manuale d'uso
La batteria non si ricarica	Problemi al collegamento del caricabatterie o problemi con la presa di rete	Verificare il collegamento del caricabatterie Vd. soluzioni ai problemi del caricabatterie
	Ricarica 100%	La batteria funziona

LAMPEGGI	LED	COMPORTEMENTO DEI LED	ERRORE	SOLUZIONE
		Flash	Tensione/livello di carica troppo basso. Il Range Extender si spegne.	Caricare la batteria con il caricabatterie Smart Charger RS Gen2
		Flash	Protezione termica. Il Range Extender si spegne.	Attendere che la temperatura rientri nell'intervallo di esercizio.
		Lampeggia una volta al secondo	Protezione da sovracorrente. La bici si spegne.	Attendere 30 secondi prima di utilizzare nuovamente la batteria
		Lampeggia 5 volte al secondo	Protezione da sovracorrenti o cortocircuiti gravi. La bici si spegne.	Scollegare la batteria esterna. Ispezionare i connettori. Collegare l'interruttore della batteria esterna al sistema.
		Flash	Errore della cella o altro errore hardware	Contattare Orbea

Se il problema persiste, contattare Orbea

## SMART CHARGER 2A-4A GEN2

### AVVISO

Consultare le specifiche tecniche dello Smart Charger Gen2 nella sezione Specifiche tecniche dei sistemi Ebike Gen 2 di questo manuale.

Consultare le avvertenze e le raccomandazioni d'uso sul caricabatterie nella sezione Avvertenze sull'uso del sistema di servoaumento di questo manuale.

Vd. [qui](#) per la compatibilità dei componenti Orbea Ebike System con i modelli di bici Orbea.

### CORRENTE DI CARICA VARIABILE

Il caricabatterie Smart Charger RS riconosce a quale batteria è collegato (batteria interna o Range Extender), e adatta di conseguenza la corrente di ricarica.

La corrente di ricarica della batteria interna è 4A (100-240V). La corrente di carica del Range Extender è 2A (100-240V). La velocità di ricarica della batteria interna fino a un livello di carica dell'80% è più elevata, poi rallenta fino al raggiungimento del 100%.

### USO DEL CARICABATTERIE SMART CHARGER RS GEN2

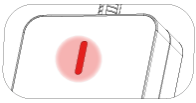
#### AVVISO

Per il metodo di utilizzo dello Smart Charger Gen2, consultare la sezione di questo manuale dedicata alla ricarica della batteria.

#### INTERPRETAZIONE DEL LED DELLO SMART CHARGER

LED	COMPORAMENTO	STATO
	LED blu lampeggiante	Il caricabatterie è collegato all'alimentazione, ma non è collegato alla batteria
	Il LED Blu si accende e spegne a intermittenza	Il caricabatterie sta caricando la batteria
	LED blu fisso	Carica completata
	LED rosso fisso	Errore. Vd. tabella per la risoluzione degli errori

## RISOLUZIONE DEI PROBLEMI DEL CARICABATTERIE SMART CHARGER RS GEN2

LED	POSSIBILE ERRORE Applicare le soluzioni in ordine decrescente	SOLUZIONE
	Protezione per tensione eccessiva	<p>Scollegare la batteria.</p> <ul style="list-style-type: none"> <li>· Ispezionare il cavo e la porta di ricarica alla ricerca di polvere, umidità o corpi estranei.</li> <li>- Se il problema persiste, contattare un rivenditore autorizzato Orbea.</li> </ul>
	Protezione dai cortocircuiti	<ul style="list-style-type: none"> <li>- Scollegare la batteria.</li> <li>· Ispezionare il cavo e la porta di ricarica alla ricerca di polvere, umidità o corpi estranei.</li> <li>- Se il problema persiste, contattare un rivenditore autorizzato Orbea.</li> </ul>
	Protezione termica	<p>Attendere che la temperatura rientri nell'intervallo per la ricarica.</p> <ul style="list-style-type: none"> <li>- Se il problema persiste, contattare un rivenditore autorizzato Orbea.</li> </ul>
	Protezione per inattività	<ul style="list-style-type: none"> <li>- Il tempo di collegamento all'alimentazione o alla batteria senza effettuare la ricarica supera di gran lunga il limite impostato.</li> </ul>
	Protezione da comunicazioni anomale	<ul style="list-style-type: none"> <li>- Rivolgersi a un rivenditore Orbea.</li> </ul>
	Protezione per tensione eccessiva.	<p>La tensione della batteria è troppo alta.</p> <ul style="list-style-type: none"> <li>- Rivolgersi a un rivenditore Orbea.</li> </ul>

## CONNESSIONE A ETUBE PROFESSIONAL. INFORMAZIONI PER I DISTRIBUTORI.

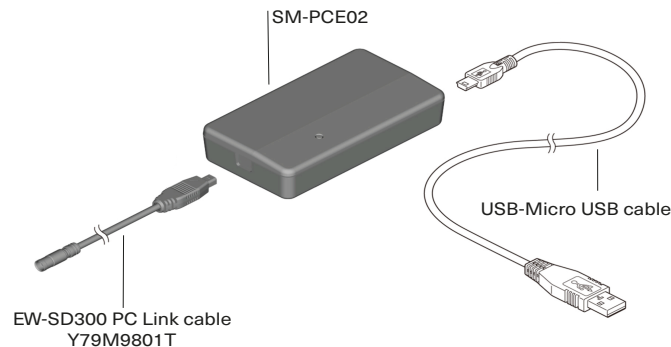


### AVVISO

La procedura di connessione e risoluzione dei problemi del sistema Shimano STEPS utilizzando il tool Etube Professional dovrà essere eseguita da rivenditori autorizzati. L'utente potrà utilizzare l'applicazione Etube Project Cyclist per collegare la bici, personalizzare il sistema ed eseguire alcune procedure per la risoluzione dei problemi.

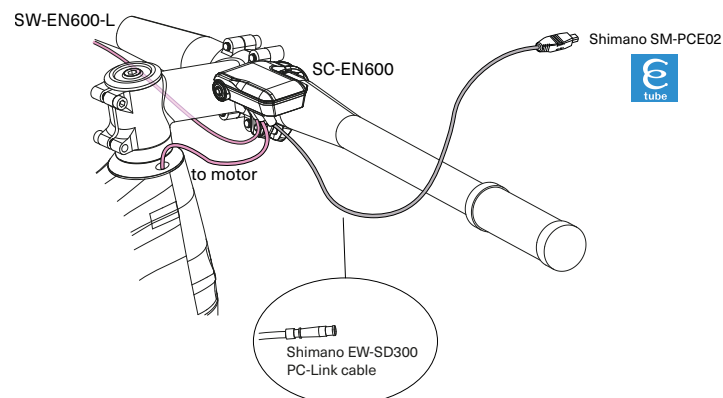
Per accedere a tutte le informazioni sul sistema Shimano EP801 su Etube, aggiornare il software Etube Project 5 alla versione più recente: <https://bike.shimano.com/en-EU/e-tube/project/forwindows.html>

Per collegare il sistema EP801/EP6 a Etube Professional, è necessaria un'interfaccia Shimano SM-PCE02. È inoltre possibile effettuare il collegamento e risolvere i problemi dei singoli componenti. Consultare il manuale del tool E-Tube Professional: <https://si.shimano.com/en/um/7J4WA>



## COLLEGAMENTO PER LE CONFIGURAZIONI CON DISPLAY SC-EN600 E SISTEMA DI TRASMISSIONE MECCANICO

Nell'opzione di configurazione con SC-EN600 e trasmissione meccanica (senza Di2), è possibile collegare il cavo PC-Link standard EW-SD300 direttamente alla porta libera del display e collegare il cavo PC-Link all'interfaccia SM-PCE02.

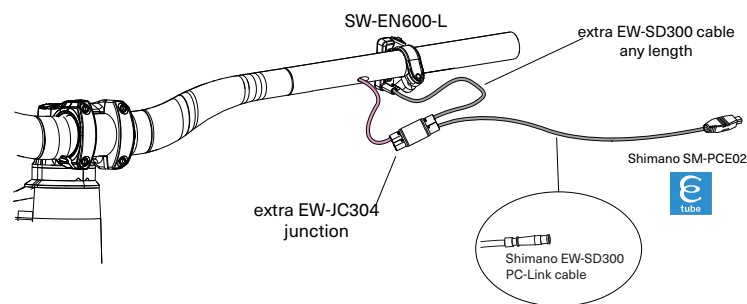


## COLLEGAMENTO NELLE ALTRE OPZIONI DI CONFIGURAZIONE

- Configurazioni con display SC-EN600 e trasmissione elettronica Di2
- Configurazioni senza display SC-EN600 e trasmissione elettronica Di2
- Configurazioni senza display e trasmissione meccanica (non-Di2)

Per queste opzioni di configurazione è necessario creare un punto di connessione libero per collegare l'intero sistema all'interfaccia SM-PCE2.

A tal fine, scollegare il cavo Di2 SD300 dal comando SW-EN600-L e utilizzare un connettore a quattro porte Shimano EW-JC304 e un cavo SD300 extra di qualsiasi lunghezza per creare una porta libera nel sistema. Collegare il cavo EW-SD300 PC-Link alla porta libera del connettore EW-JC304 e quest'ultimo connettore all'interfaccia SM-PCE2.



## INSTALLAZIONE DI TRASMISSIONI ELETTRICHE E BICICLETTE CON CONFIGURAZIONE MECCANICA DI SERIE

Se su una bici elettrica con motore EP801/EP6 originariamente equipaggiata da Orbea con una trasmissione meccanica il deragliatore viene sostituito con un deragliatore elettronico compatibile Di2, sarà necessario modificare la configurazione della bici per fare in modo che possa riconoscere i nuovi componenti. Se non si modifica la configurazione, il sistema invierà l'avviso di un errore componente all'avvio della bici, e non erogherà la servoassistenza elettrica.

Questa modifica della configurazione non potrà essere effettuata da un utente o da un distributore che colleghino la bici, rispettivamente, a Etube Cyclist o Etube Professional. Il distributore dovrà contattare Orbea o Shimano per l'effettuazione della modifica della configurazione della bici da remoto.

## LE BATTERIE ORBEA RS GEN2 IN ETUBE PROFESSIONAL

La batteria Orbea RS Gen2 sarà visibile come elemento del sistema Shimano EP801/EP6S quando il sistema è collegato a Etube Professional con il tool diagnostico Shimano SM-PCE02.

È possibile utilizzare il tool di diagnostica SM-PCE02 per accedere a informazioni importanti sulla batteria, come la versione del firmware e i cicli di ricarica, nella scheda Manutenzione.

Le batterie interne Orbea Gen2 non sono diagnosticabili utilizzando Etube Professional. Se si verifica un problema nel sistema elettrico, utilizzare l'app Etube Professional per verificare che il problema non risieda in altri componenti Shimano del sistema elettrico. Contattare Shimano per fornire un rapporto sul sistema nell'ambito di una segnalazione specifica. Se Shimano dovesse rispondere che il problema riguarda la batteria interna, contattare Orbea attraverso una segnalazione specifica.

## COLLEGAMENTO DELLE LUCI AL MOTORE SHIMANO EP801/EP6 RS

---

### AVVISO

La Rise non è stata progettata per montare luci collegate al motore, pertanto l'utente e/o il rivenditore Shimano che desiderino eseguire questa installazione ne saranno responsabili.

**AVVERTENZA:** L'utilizzo di luci collegate al motore può ridurre notevolmente l'autonomia della bici.

Per le opzioni relative alle guarnizioni SIC del collettore della serie sterzo HS02 e per le opzioni relative all'uscita del cavo della luce anteriore, consultare la sezione cablaggio di questo manuale se si desidera installare questa luce. Le configurazioni Rise di Orbea non prevedono il montaggio di luci. Orbea non sarà responsabile della compatibilità delle configurazioni aftermarket create dagli utenti o da un rivenditore. Verificare che i componenti siano compatibili prima di installarli.

Il motore Shimano EP801/EP6 consente il collegamento delle luci alle porte presenti sul motore stesso (cavo spellato).

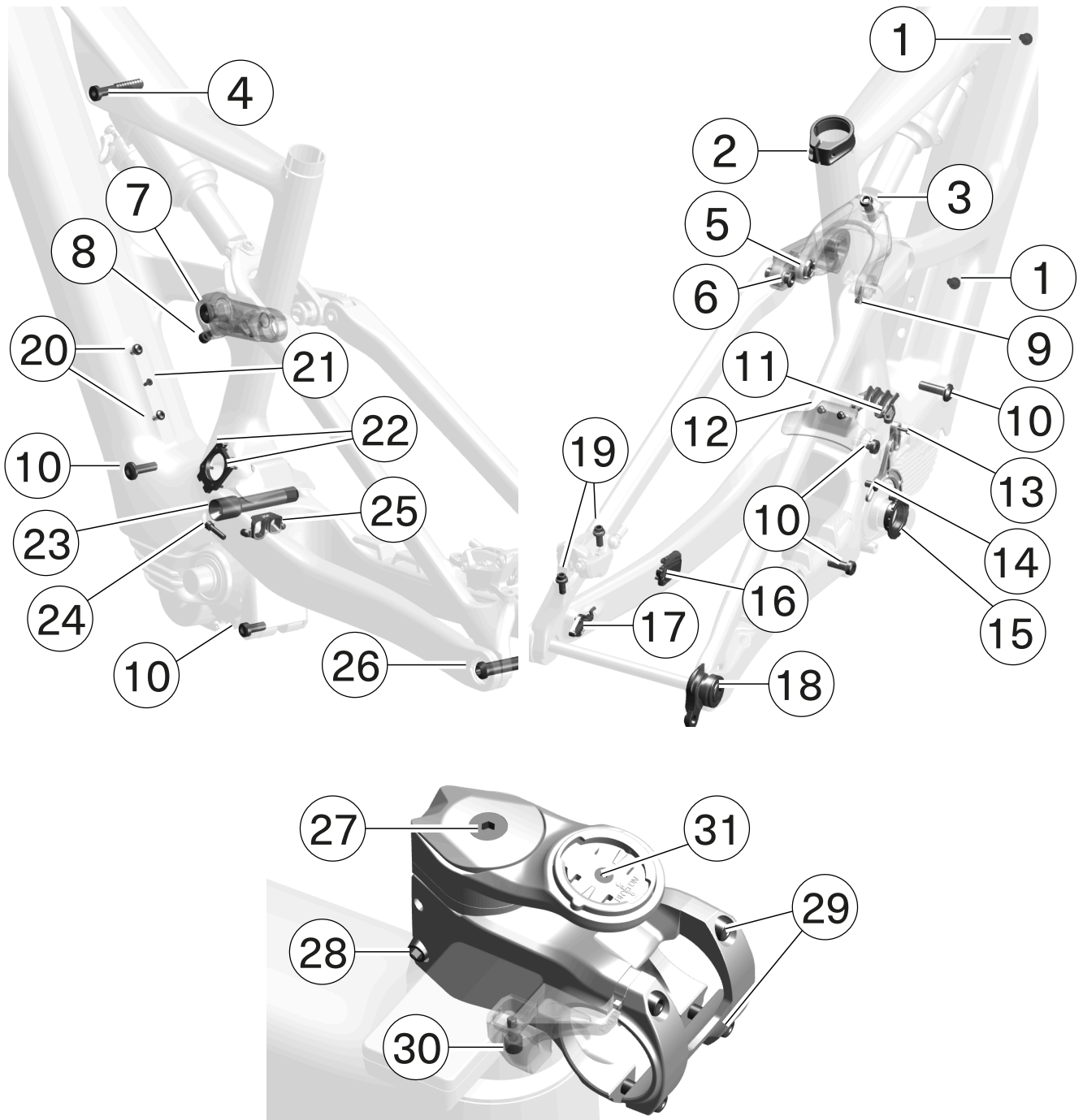
La Rise viene fornita con le porte luci sul motore disabilitate. Tuttavia, un rivenditore autorizzato Shimano potrà abilitare le porte luci tramite Etube Professional collegando la bicicletta all'interfaccia SM-PCE02.

È possibile decidere che le luci saranno sempre accese quando la bicicletta è accesa, oppure potranno essere accese tramite il display.

### AVVISO

**AVVERTENZA:** esistono norme di legge che prevedono che le bici elettriche dotate di luci riservino automaticamente una percentuale della carica della batteria per alimentare le luci, disattivando la servoassistenza, per un determinato periodo di tempo, quando la batteria è quasi scarica. Attenersi sempre alle normative del territorio nel quale si utilizza la bici.

## 23 COPPIE DI SERRAGGIO. PANORAMICA



NUMERO	COMPONENTE	UTENSILE	MISURE	COPPIA DI SERRAGGIO
1	Bulloni di fissaggio della batteria interna	Chiave a brugola	4 mm	5 N m
2	Collarino reggisella	Chiave a brugola	4 mm	5 N m
3	Fissaggio ammortizzatore su prolunga LT	Chiave a brugola	6 mm	8 N m



NUMERO	COMPONENTE	UTENSILE	MISURE	COPPIA DI SERRAGGIO
	Fissaggio dell'ammortizzatore al raccordo (yoke) SL	Chiave a brugola	5 mm	8 N m
4	Fissaggio ammortizzatore al telaio	Chiave a brugola	5 mm	10 N m
5	Assi prolunga-leveraggio ammortizzatore	Chiave a brugola	6 mm	10 N m
6	Leveraggio agli assi sul fodero alto	Chiave a brugola	5 mm	10 N m
7	Bullone di precarico leveraggio sx	Chiave a brugola	4 mm	4 N m
8	Bullone di fissaggio del leveraggio sinistro	Chiave a brugola	5 mm	10 N m
9	Bulloni fissaggio prolunga LT	Chiave a brugola	3 mm	1 Nm
10	Bulloni di fissaggio del motore al telaio	Chiave a brugola	6 mm	12 Nm
11	Bulloni dei guidacavo dell'alloggiamento dle motore	Chiave a brugola	2 mm	2 N m
12	Bulloni protezione spoiler (non sulla Rise Hydro)	—	—	—
13	Dado-bullone guidacatena	Chiave a brugola	2,5 mm	2.5 N m
14	Bulloni motore-guidacatena	Chiave a brugola	4 mm	4 N m
15	Ghiera di arresto della corona	TL-FC430	4 mm	35-45 Nm
16	Bullone porta guidacavo fodero basso sx	Chiave a brugola	2 mm	2 N m
17	Bulloni del sensore di velocità	Torx	T2	2 N m
18	Vite forcellino deragliatore Sram UDH (filettatura invertita)	Chiave a brugola	8 mm	25 N m
19	Bulloni pinza freno	Chiave a brugola	5 mm	6-8 N m
20	Bulloni portaborraccia	Chiave a brugola	3 mm	5 N m
21	Bullone piastra interna per portaborraccia	Chiave a brugola	2 mm	2 N m
22	Bulloni del coperchio del punto di ricarica	Torx	T1,5	0,5 N m
23	Asse di articolazione principale del forcellone	Chiave a brugola	10 mm	20 N m
24	Perno articolazione principale fodero basso sx	Chiave a brugola	4 mm	6 N m
25	Bulloni guidacavo Cable Pass	Chiave a brugola	2 mm	2 N m
26	Asse ruota posteriore	Chiave a brugola	6 mm	10 N m
27	Bullone precarico attacco manubrio MC	Chiave a brugola	4 mm	8 N m
28	Bulloni fissaggio forcella attacco manubrio MC	Chiave a brugola	4 mm	6 N m
29	Bulloni piastrina anteriore attacco manubrio MC10/MC20	Chiave a brugola	4 mm	6 N m
	Bulloni piastrina anteriore attacco manubrio MC11	Chiave a brugola	4 mm	5 N m
30	Bullone di fissaggio piastra attacco manubrio-display MC11	Chiave a brugola	2,5 mm	0,6 Nm
31	Perno adattatore montaggio CM-05 GPS	Chiave a brugola	2 mm	2 N m

# 24 RICAMBI RISE HYDRO 2025

Consultare il catalogo completo dei ricambi Orbea su nostro sito internet:

[www.orbea.com/gb-en/gear/spare-parts/](http://www.orbea.com/gb-en/gear/spare-parts/)

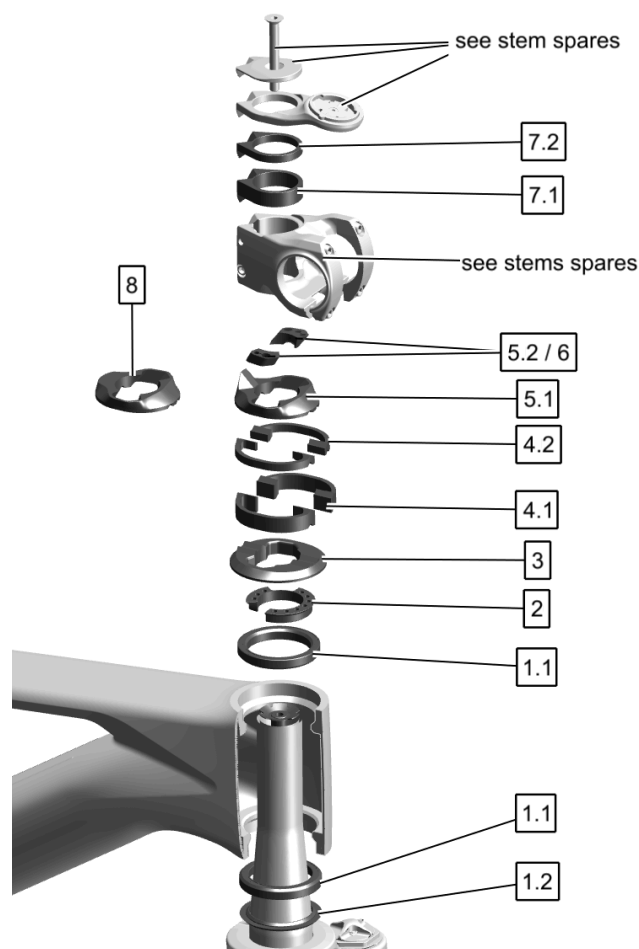
Oppure per trovare direttamente tutti i ricambi Rise Hydro:

[Ricambi Rise Hydro LT 2025](#)

[Ricambi Rise Hydro SL 2025](#)




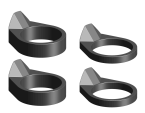



## SERIE STERZO

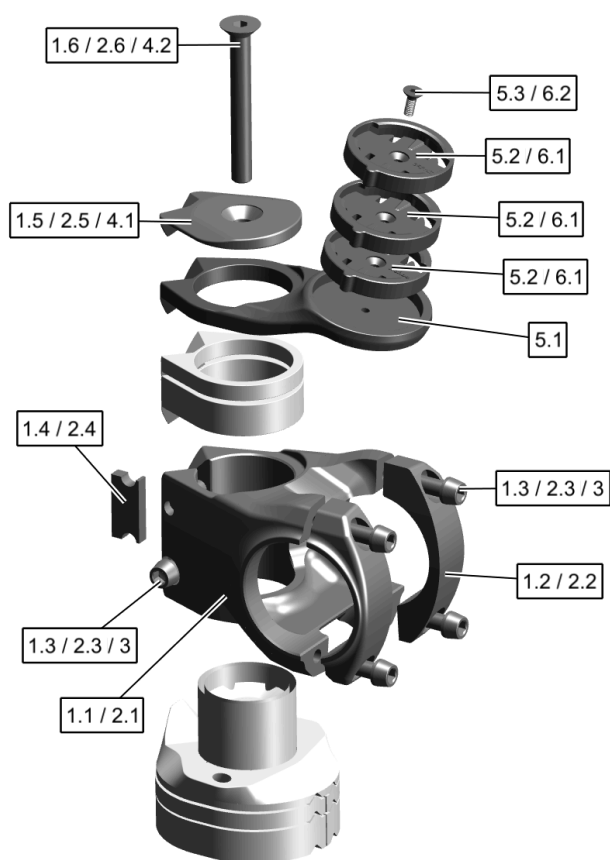


[Cliccare sul codice ricambio per acquistare online](#)



<b>1. CUSCINETTI SERIE STERZO HS02 + RACE</b>		<b>RICAMBIO N.ro:</b> XC50
		<b>Q.TÀ</b>
	<b>1.1.</b> Pista testa forcella 1,5 45°	1
	<b>1.2.</b> Cuscinetto serie sterzo 1,5 (52 x 40 x 7 mm. 45°/45°)	2
<b>2. ANELLO DI COMPRESSIONE IN ALLUMINIO 1-1/8 HS02-01</b>		<b>RICAMBIO N.ro:</b> XC51
		<b>Q.TÀ</b>
	<b>2</b> Anello di compressione in alluminio 1-1/8 HS02-01	1
<b>3. TAPPO SERIE STERZO HS02-14. STACK NORMALE</b>		<b>RICAMBIO N.ro:</b> XC89
		<b>Q.TÀ</b>
	<b>3</b> Tappo serie sterzo HS02-14	1





<b>4. KIT DISTANZIALI SERIE STERZO SPACCATI IN ALLUMINIO HS02 ALU</b>		<b>RICAMBIO N.ro:</b> <b>XC55</b>
		<b>Q.TÀ</b>
	<b>4.1</b> Distanziale spaccato attacco manubrio HS02-04 10 mm	2
	<b>4.2</b> Distanziale attacco manubrio split HS02-03 5 mm	2
<b>5. COLLETTORE SIC SPB HS02-05. STACK NORMALE</b>		<b>RICAMBIO N.ro:</b> <b>XC56</b>
		<b>Q.TÀ</b>
	<b>5.1</b> Collettore SIC HS02-05. Stack Normale.	1
	<b>5.2</b> Kit gommini collettore SIC HS02 (L1, L2, L3, R1, R2, R2e, R3)	1
<b>6. KIT GOMMINI COLLETTORE SIC HS02</b>		<b>RICAMBIO N.ro:</b> <b>XC57</b>
		<b>Q.TÀ</b>
	<b>6.1</b> Gommino SIC L1 HS02-42. 4 mm + 4 mm cieco	1
	<b>6.2</b> Gommino SIC L2 HS02-43. 4 mm + 4 mm	1
	<b>6.3</b> Gommino SIC L3 HS02-44. 4 mm + 4 mm + 3 mm	1
	<b>6.4</b> Gommino SIC R1 HS02-45. 5 mm	1
	<b>6.5</b> Gommino SIC R2 HS02-46. 4 mm + 5 mm	1
	<b>6.6</b> Gommino SIC R2e HS02-47. 3 mm + 5 mm	1
	<b>6.7</b> Gommino SIC R3 HS02-48. 4 mm + 3 mm + 3 mm	1
<b>7. KIT DISTANZIALI SERIE STERZO HS02. CIRCOLARE</b>		<b>RICAMBIO N.ro:</b> <b>XC58</b>
		<b>Q.TÀ</b>
	<b>7.1</b> Distanziale serie sterzo HS02-8 (10 mm)	2
	<b>7.2</b> Distanziale serie sterzo HS02-7 (5 mm)	2
<b>8. COLLETTORE SIC NO-SPB HS02-06. UNIVERSALE</b>		<b>RICAMBIO N.ro:</b> <b>XC60</b>
Per l'utilizzo di attacchi manubrio standard MC HS02 non OC nella serie sterzo HS02		<b>Q.TÀ</b>
	<b>8.1</b> Collettore universale SIC HS02-06. Stack Normale.	1
	<b>8.2</b> Kit gommini collettore SIC HS02 (L1, L2, L3, R1, R2, R2e, R3)	1

## ATTACCHI MANUBRIO OC MC10/MC20



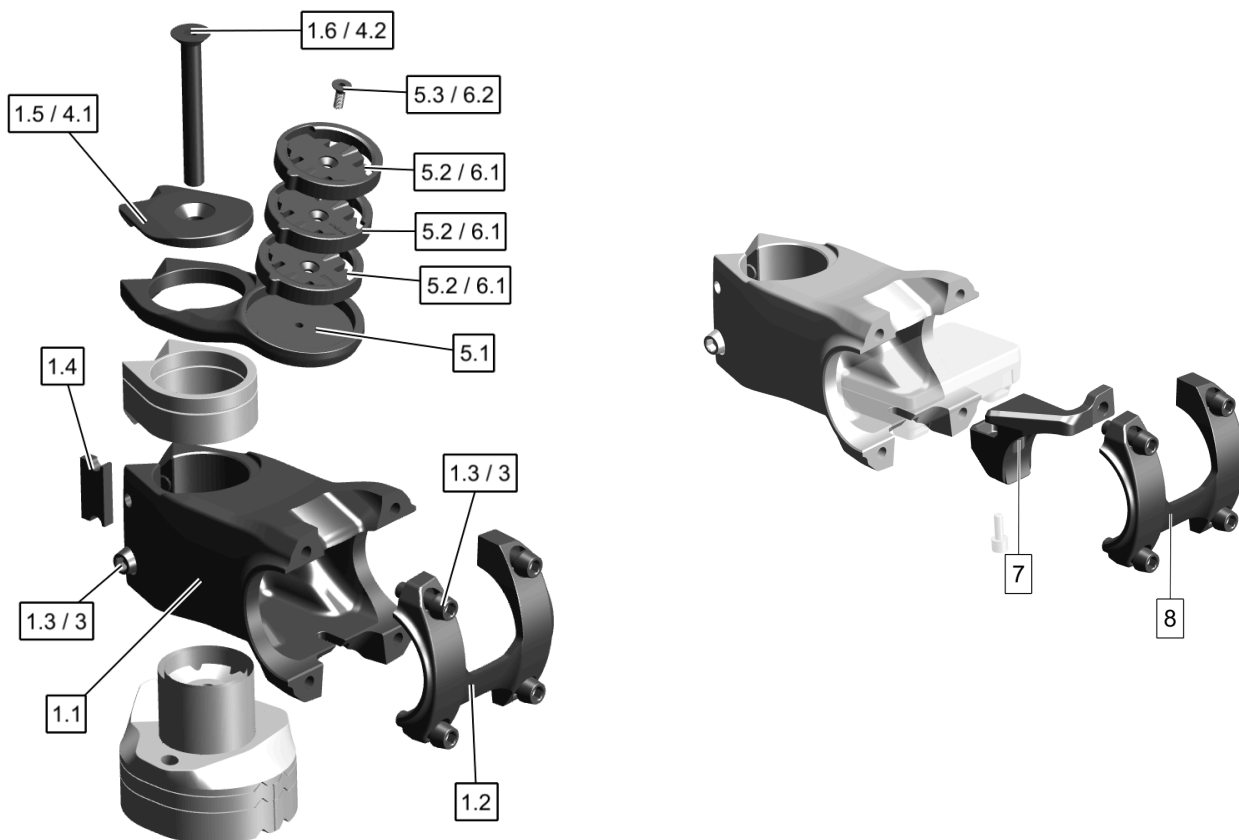
Cliccare sul codice ricambio per acquistare online

1. ATTACCO MANUBRIO OC ST-MC10		RICAMBIO N.ro: C025
		Q.TÀ
	1.1. Attacco manubrio OC ST-MC10 (35 mm - 40 mm - 50 mm)	1
	1.2. Piastra attacco manubrio OC ST-MC10	1
	1.3. Bullone svasato M5x15 R8. CrMo	6
	1.4. Limite morsetto tubo sterzo ST-MC10-11. 20 mm x 3,75 mm	1
	1.5. Topcap HS02-31. ST-MC10/20	1
	1.6. Bullone M6x50 DIN 7991	1
2. ATTACCO MANUBRIO OC ST-MC20		RICAMBIO N.ro: C026
		Q.TÀ
	2.1. ATTACCO MANUBRIO OC ST-MC20 (35 mm - 40 mm - 50 mm)	1
	2.2. Piastra attacco manubrio OC ST-MC20	1
	2.3. Bullone svasato M5x15 R8. CrMo	6
	2.4. Limite morsetto tubo sterzo ST-MC10-11. 20 mm x 3,75 mm	1
	2.5. Topcap HS02-31. ST-MC10/20	1
	2.6. Bullone M6x50 DIN 7991	1



<b>3. KIT BULLONE ATTACCO MANUBRIO OC</b>		<b>RICAMBIO N.ro: XC78</b>
Compatibile con tutti gli attacchi manubrio OC eccetto ST-RP21		<b>Q.TÀ</b>
	<b>3</b> Bullone svasato M5x15 R8. CrMo	6
<b>4. TOPCAP ST-MC10/20. HS02-31</b>		<b>RICAMBIO N.ro: XC79</b>
		<b>Q.TÀ</b>
	<b>4.1</b> Topcap HS02-31. ST-MC10/20	1
	<b>4.2</b> Bullone M6x50 DIN 7991	1
<b>5. SUPPORTO CICLOCOMPUTER OC CM-05</b>		<b>RICAMBIO N.ro: C052</b>
Per attacchi manubrio OC ST-MC (Mountain Control)		<b>Q.TÀ</b>
	<b>5.1</b> Corpo supporto per ciclocomputer OC CM-05	1
	<b>5.2</b> Kit adattatori CT-02 per Garmin/Sigma, Wahoo, Bryton	3
	<b>5.3</b> Bullone M3x8 DIN 7991	1
<b>6. KIT GOMMINI COLLETTORE SIC HS02</b>		<b>RICAMBIO N.ro: C054</b>
		<b>Q.TÀ</b>
	<b>6.1</b> Kit adattatori CT-02 per Garmin/Sigma, Wahoo, Bryton	3
	<b>6.2</b> Bullone M3x8 DIN 7991	1






## ATTACCO MANUBRIO OC MC11

L'attacco manubrio OC ST-MC11 non viene offerto sui supporti della gamma Rise Hydro, ma è compatibile con questo modello.



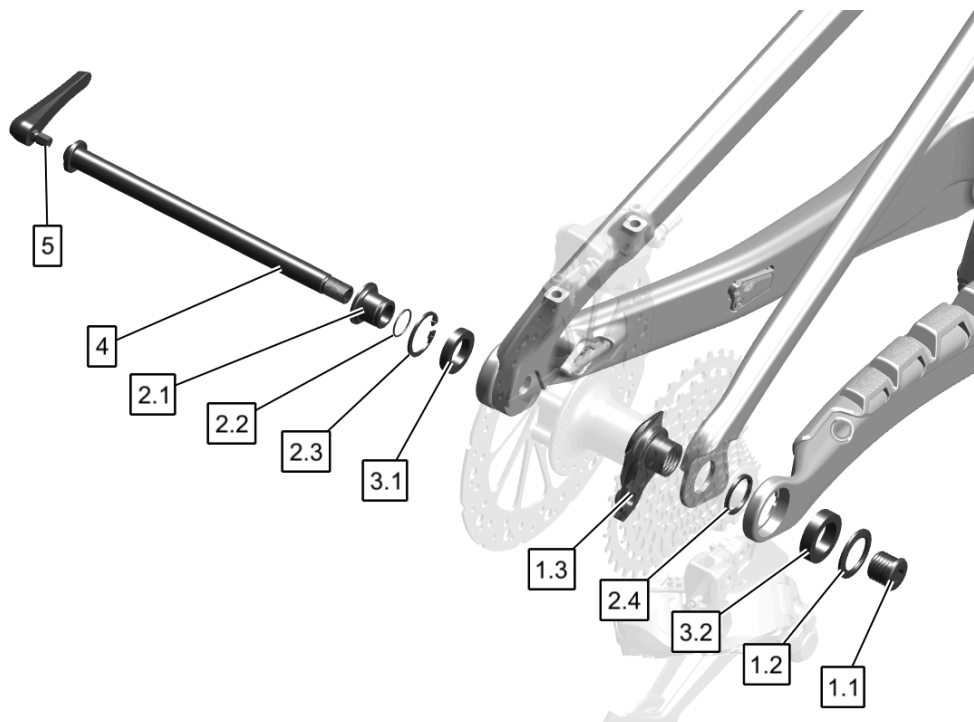
[Cliccare sul codice ricambio per acquistare online](#)

<b>1. ATTACCO MANUBRIO OC ST-MC11</b>		<b>RICAMBIO N.ro: C074</b>
		<b>Q.TÀ</b>
	<b>1.1.</b> Attacco manubrio OC ST-MC11 (35 mm - 40 mm - 50 mm, 60 mm)	1
	<b>1.2.</b> Piastrina attacco manubrio OC ST-MC11 (non compatibile con supporto display)	1
	<b>1.3.</b> Bullone svasato M5x15 R8. CrMo	6
	<b>1.4.</b> Limite morsetto tubo sterzo ST-MC10-11. 20 mm x 3,75 mm	1
	<b>1.5.</b> Topcap HS02-31. ST-MC10/20	1
	<b>1.6.</b> Bullone M6x50 DIN 7991	1
<b>3. KIT BULLONE ATTACCO MANUBRIO OC</b>		<b>RICAMBIO N.ro: XC78</b>
Compatibile con tutti gli attacchi manubrio OC eccetto ST-RP21		<b>Q.TÀ</b>
	<b>3</b> Bullone svasato M5x15 R8. CrMo	6




<b>4. TOPCAP ST-MC10/20. HS02-31</b>		<b>RICAMBIO N.ro:</b> XC79
		<b>Q.TÀ</b>
	<b>4.1</b> Topcap HS02-31. ST-MC10/20	1
	<b>4.2</b> Bullone M6x50 DIN 7991	1
<b>5. SUPPORTO CICLOCOMPUTER OC CM-05</b>		<b>RICAMBIO N.ro:</b> C052
Per attacchi manubrio OC ST-MC (Mountain Control)		<b>Q.TÀ</b>
	<b>5.1</b> Corpo supporto per ciclocomputer OC CM-05	1
	<b>5.2</b> Kit adattatori CT-02 per Garmin/Sigma, Wahoo, Bryton	3
	<b>5.3</b> Bullone M3x8 DIN 7991	1
<b>6. KIT GOMMINI COLLETTORE SIC HS02</b>		<b>RICAMBIO N.ro:</b> C054
		<b>Q.TÀ</b>
	<b>6.1</b> Kit adattatori CT-02 per Garmin/Sigma, Wahoo, Bryton	3
	<b>6.2</b> Bullone M3x8 DIN 7991	1
<b>7. SUPPORTO DISPLAY SC-EN600 ATTACCO MANUBRIO ST-MC11</b>		<b>RICAMBIO N.ro:</b> XF83
		<b>Q.TÀ</b>
	<b>7</b> Supporto display SC-EN600 attacco manubrio ST-MC11	1
<b>8. PIASTRA ANTERIORE ST-MC11 SC-EN600</b>		<b>RICAMBIO N.ro:</b> XF84
Per montare il supporto display SC-EN600 (XF83)		<b>Q.TÀ</b>
	<b>8</b> Piastra anteriore ST-MC11 SC-EN600	1




## ASSE POSTERIORE




Cliccare sul codice ricambio per acquistare online

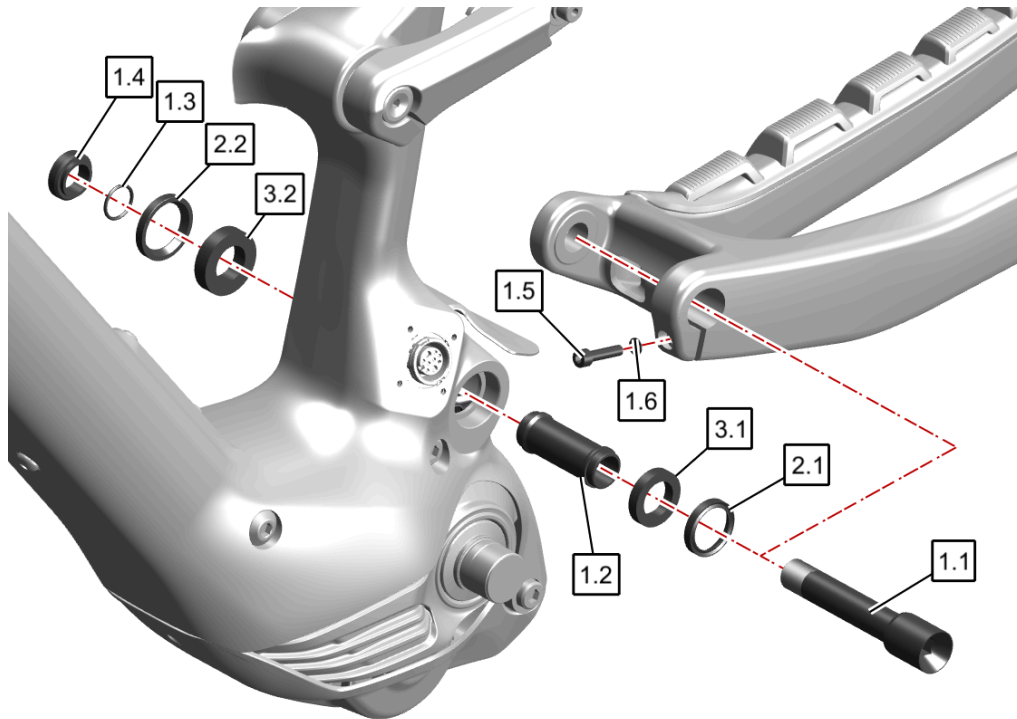
<b>1. FORCELLINO SRAM UDH X12 OPZIONE FS</b>		<b>RICAMBIO N.ro:</b> <b>X004</b>
		<b>Q.TÀ</b>
	<b>1.1.</b> Bullone forcellino cambio Sram UDH	1
	<b>1.2.</b> Rondella forcellino cambio Sram UDH Opzione FS	1
	<b>1.3.</b> Forcellino Sram UDH X12	1
<b>2. KIT FERRAMENTA ASSE POSTERIORE</b>		<b>RICAMBIO N.ro:</b> <b>XA50</b>
		<b>Q.TÀ</b>
	<b>2.1</b> Inserto fodero basso-leveraggi Occam 24	1
	<b>2.2</b> O ring 15 x 1	1
	<b>2.3</b> Anello SB 26	1
	<b>2.4</b> Distanziale UDH	1
<b>3. KIT CUSCINETTI ASSE POSTERIORE</b>		<b>N.ro ricambio:</b> <b>XA16</b>
		<b>Q.TÀ</b>
	<b>3.1</b> Cuscinetto Enduro Max 20307	1
	<b>3.2</b> Cuscinetto Enduro Max 6803	1

<b>4. ASSE RUOTA 12x184 (1,0X15) CAVO</b>			<b>RICAMBIO N.ro: XA38</b>
			<b>Q.TÀ</b>
	<b>4</b>	Ruota con asse passante 12x171 mm (filettatura 1,0x13 mm). Cavo	<b>1</b>




  

<b>5. CAMMA ASSE POSTERIORE</b>			<b>RICAMBIO N.ro: XD83</b>
			<b>Q.TÀ</b>
	<b>5</b>	Camma asse sposteriore brugola 6 mm	<b>1</b>

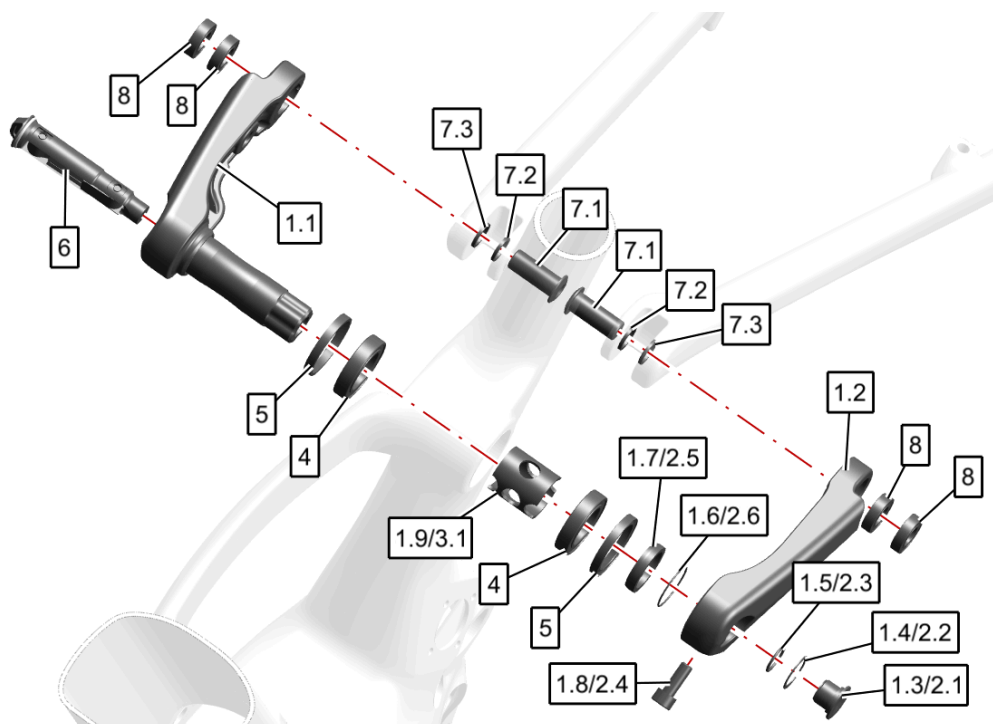
## PUNTO DI ARTICOLAZIONE PRINCIPALE DEL FORCELLONE





Cliccare sul codice ricambio per acquistare online







<b>1. KIT FERRAMENTA DEL PUNTO DI ARTICOLAZIONE PRINCIPALE RISE 25</b>		<b>RICAMBIO N.ro:</b> <b>XF86</b>
		<b>Q.TÀ</b>
	<b>1.1.</b> Asse articolazione principale Rise 25	1
	<b>1.2.</b> Distanziale cuscinetto asse Rise 25	1
	<b>1.3.</b> O ring 14 x 1,5 mm	1
	<b>1.4.</b> Boccola del punto di articolazione principale	1
	<b>1.5.</b> Bullone inox M5x20 DIN912	1
	<b>1.6.</b> Rondella 5x8x0,5	1
<b>2. KIT GUARNIZIONI DEL PUNTO DI ARTICOLAZIONE PRINCIPALE</b>		<b>RICAMBIO N.ro:</b> <b>XA20</b>
		<b>Q.TÀ</b>
	<b>2.1.</b> Guarnizione Enduro SE 20x26x4VG seal	1
	<b>2.2.</b> Guarnizione Enduro SE 20x26x4VG seal	1
<b>3. KIT CUSCINETTI DEL PUNTO DI ARTICOLAZIONE PRINCIPALE</b>		<b>RICAMBIO N.ro:</b> <b>XA19</b>
		<b>Q.TÀ</b>
	<b>3.1.</b> Cuscinetto 17x26x5 Enduro Max 6803	1
	<b>3.2.</b> Cuscinetto 17x26x5 Enduro Max 6803	1

## LEVERAGGIO

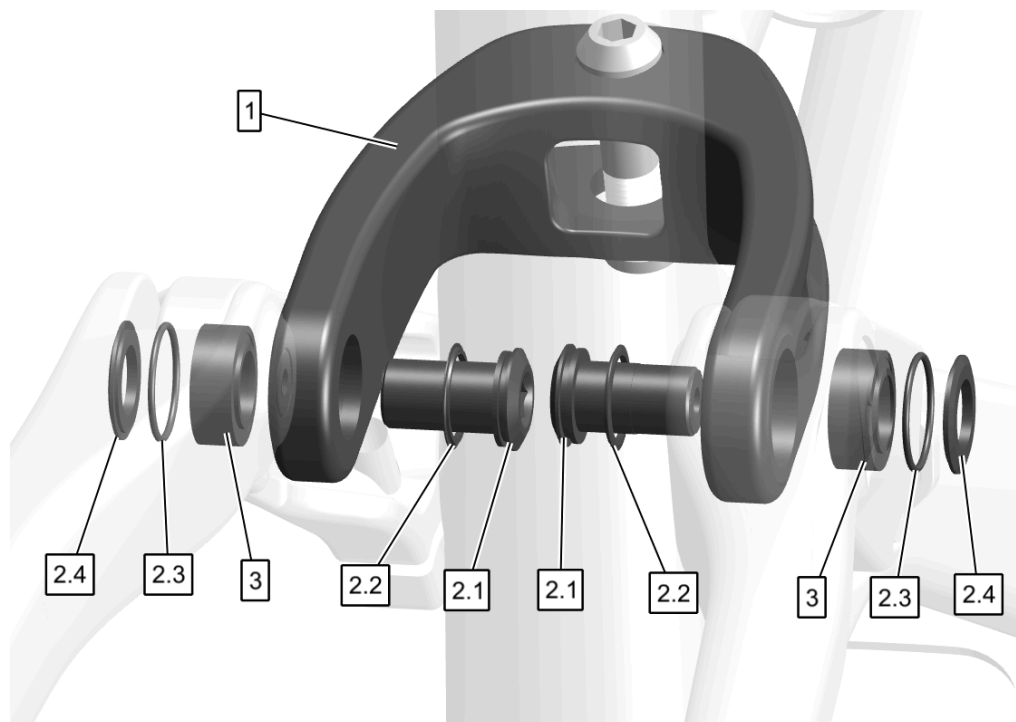


Cliccare sul codice ricambio per acquistare online




<b>1. LEVERAGGIO RISE 25</b>		<b>RICAMBIO N.ro: XF87</b>
Cuscinetti non inclusi		<b>Q.TÀ</b>
	<b>1.1</b> Leveraggio+asse dx Rise 2025	1
	<b>1.2</b> Leveraggio dx Rise 2025.	1
	<b>1.3</b> Bullone di precarico del leveraggio con magnete	1
	<b>1.4</b> Rondella inox 14,5x18x0,5	1
	<b>1.5</b> O ring 12x1 mm	1
	<b>1.6</b> O-ring (incl. in 1.7)	1
	<b>1.7</b> Boccola distanziale leveraggio	1
	<b>1.8</b> Bullone inox M6x16mm DIN 912	1
	<b>1.9</b> Distanziale cuscinetto FT Rise 25	1
<b>2. KIT FERRAMENTA LEVERAGGIO</b>		<b>RICAMBIO N.ro: XC52</b>
		<b>Q.TÀ</b>
	<b>2.1</b> Bullone di precarico del leveraggio con magnete	1
	<b>2.2</b> Rondella inox 14,5x18x0,5	1
	<b>2.3</b> O ring 12x1 mm	1
	<b>2.4</b> Bullone inox M6x16mm DIN 912	1
	<b>2.5</b> Boccola distanziale leveraggio	1
	<b>2.6</b> O-ring (incl. in 2.5)	1

<b>3. DISTANZIALE CUSCINETTO FT</b>		<b>RICAMBIO N.ro:</b> XG15
		<b>Q.TÀ</b>
	<b>3.1</b> Distanziale cuscinetto FT Rise 2025	1
<b>4. KIT CUSCINETTI PUNTO DI ARTICOLAZIONE LEVERAGGI-TELAIO</b>		<b>RICAMBIO N.ro:</b> XA25
		<b>Q.TÀ</b>
	<b>4</b> Cuscinetto Enduro Max 6804 20x32x7	2
<b>5. KIT FERRAMENTA LEVERAGGI-TELAIO</b>		<b>RICAMBIO N.ro:</b> XA26
		<b>Q.TÀ</b>
	<b>5</b> Guarnizione Enduro SE 25x32x4VG	2
<b>6. Multitool OC FLP MT-20, Brugola 2, 3, 4, 5</b>		<b>RICAMBIO N.ro:</b> XA14
		<b>Q.TÀ</b>
	<b>6</b> Multitool OC FLP MT-20, Brugola 2, 3, 4, 5	1
<b>7. KIT FERRAMENTA LEVERAGGI-FODERO ALTO RISE H 25</b>		<b>RICAMBIO N.ro:</b> XG10
Posizionare il distanziale piccolo all'esterno e il distanziale grande all'interno del leveraggio.		<b>Q.TÀ</b>
	<b>7.1</b> Asse leveraggio-fodero alto Rise 25	2
	<b>7.2</b> Distanziale interno	2
	<b>7.3</b> Rondella 10x13x1,5 mm AL6082	2
<b>8. KIT CUSCINETTI LEVERAGGI-FODERO ALTO</b>		<b>RICAMBIO N.ro:</b> XA24
		<b>Q.TÀ</b>
	<b>8</b> Cuscinetto Enduro Max 6800 10x19x5	4

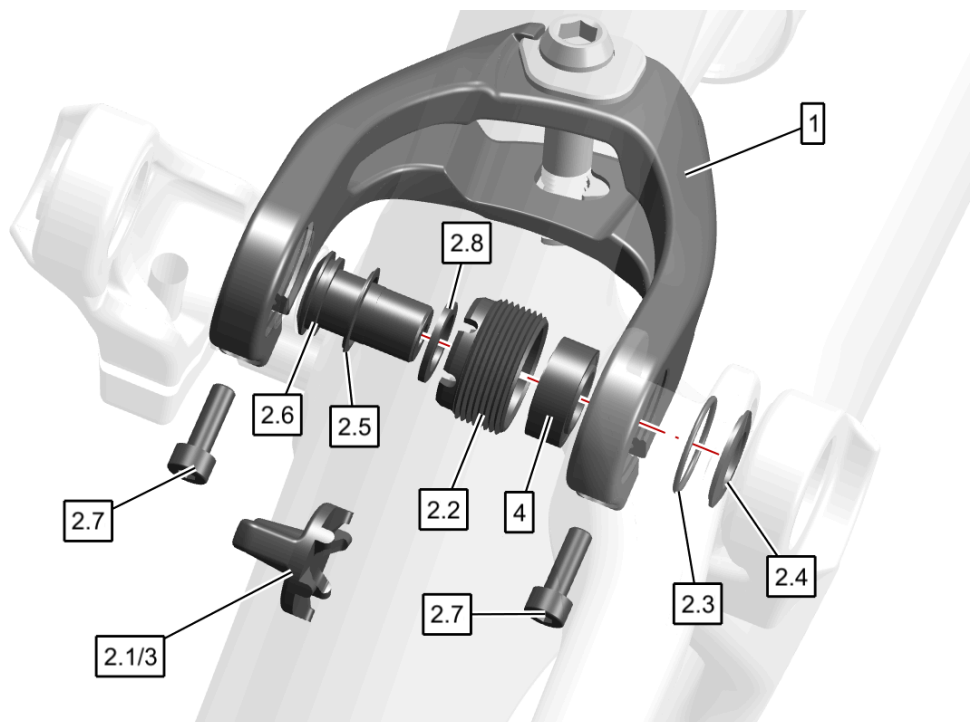
## PROLUNGA AMMORTIZZATORE SL





Cliccare sul codice ricambio per acquistare online


<b>1. RACCORDO RISE H SL 25</b>		<b>RICAMBIO N.ro:</b> XG14
Cuscinetti non inclusi		<b>Q.TÀ</b>
	<b>1</b> Raccordo alluminio (yoke) Rise H SL	<b>1</b>
<b>2. KIT FERRAMENTA PROLUNGA-LEVERAGGIO SL</b>		<b>RICAMBIO N.ro:</b> XC83
		<b>Q.TÀ</b>
	<b>2.1</b> Asse prolunga-leveraggio	<b>2</b>
	<b>2.2</b> Anello asse prolunga-leveraggio 15x12x0,9	<b>2</b>
	<b>2.3</b> O ring 15 x 1 mm	<b>2</b>
	<b>2.4</b> Distanziale prolunga-leveraggio	<b>2</b>
<b>3. KIT CUSCINETTI PROLUNGA AMMORTIZZATORE</b>		<b>RICAMBIO N.ro:</b> X983
		<b>Q.TÀ</b>
	<b>3</b> Cuscinetti: Enduro Double Raw Max 10177 10x17x6/7	<b>1</b>

## ADATTATORE AMMORTIZZATORE LT




Cliccare sul codice ricambio per acquistare online

<b>1. PROLUNGA RISE LT 25</b>		<b>RICAMBIO N.ro:</b> XF89
Cuscinetti non inclusi		<b>Q.TÀ</b>
	<b>1</b> Prolunga Alu Rise LT 25	<b>1</b>
<b>2. KIT FERRAMENTA PROLUNGA-LEVERAGGIO LT</b>		<b>RICAMBIO N.ro:</b> XC85
		<b>Q.TÀ</b>
	<b>2.1</b> Utensile cuneo cuscinetto prolunga LT	<b>1</b>
	<b>2.2</b> Cuneo cuscinetto prolunga LT	<b>2</b>
	<b>2.3</b> O ring 15 x 1 mm	<b>2</b>
	<b>2.4</b> Distanziale prolunga-leveraggio	<b>2</b>
	<b>2.5</b> Anello asse prolunga-leveraggio 15x12x0,9	<b>2</b>
	<b>2.6</b> Asse prolunga-leveraggio	<b>2</b>
	<b>2.7</b> Bullone M4x12 DIN912	<b>2</b>
	<b>2.8</b> Axle seat washer	<b>2</b>

<b>3. UTENSILE CUNEO CUSCINETTO PROLUNGA LT</b>		<b>RICAMBIO N.ro: XD53</b>
		<b>Q.TÀ</b>
	<b>3</b> Utensile precarico cuneo cuscinetti prolunga LT	<b>1</b>

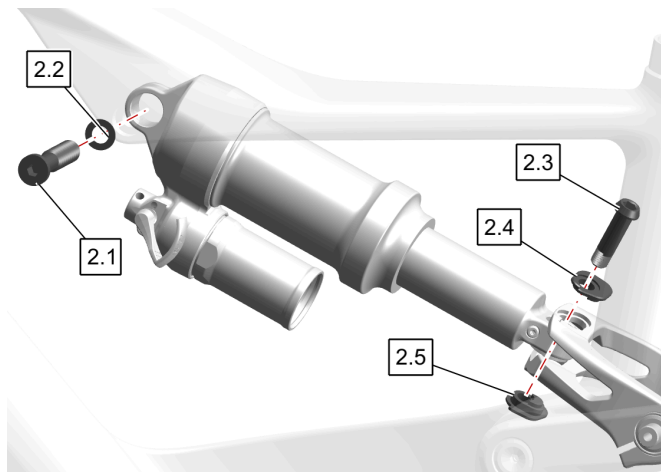
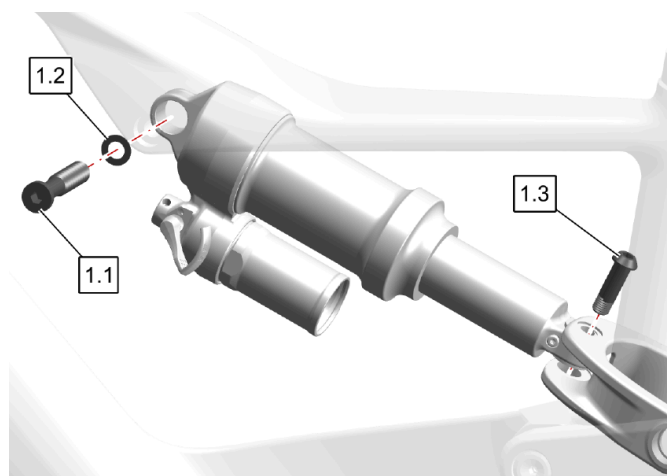
<b>4. KIT CUSCINETTI PROLUNGA AMMORTIZZATORE</b>		<b>RICAMBIO N.ro: 983</b>
		<b>Q.TÀ</b>
	<b>4</b> Cuscinetti: Enduro Double Raw Max 10177 10x17x6/7	<b>2</b>





## FISSAGGIO AMMORTIZZATORE

RISE H SL

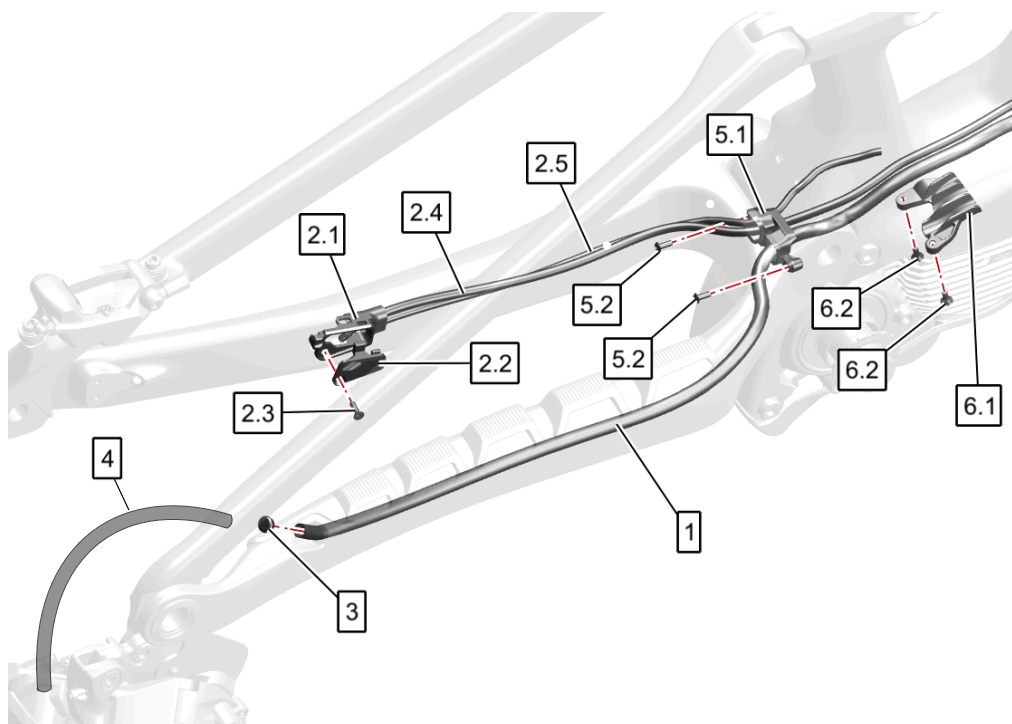
RISE H LT






Clickare sul codice ricambio per acquistare online

<b>1. KIT FISSAGGIO AMMORTIZZATORE HYDRO S</b>		<b>RICAMBIO N.ro: XD89</b>
		<b>Q.TÀ</b>
	<b>1.1.</b> Bullone alluminio ammortizzatore-telaio	1
	<b>1.2.</b> Rondella 8x14x0,5	1
	<b>1.3.</b> Bullone prolunga ammortizzatore SL	1
<b>2. KIT FISSAGGIO AMMORTIZZATORE HYDRO LT</b>		<b>RICAMBIO N.ro: XD76</b>
		<b>Q.TÀ</b>
	<b>2.1.</b> Bullone alluminio ammortizzatore-telaio	1
	<b>2.2.</b> Rondella 8x14x0,5	1
	<b>2.3.</b> Bullone prolunga ammortizzatore LT	1
	<b>2.4.</b> Inserto superiore prolunga Quick Flip LT	1
	<b>2.5.</b> Inserto inferiore prolunga Quick Flip LT	1

## CABLAGGIO



Cliccare sul codice ricambio per acquistare online

<b>1. INSTALLAZIONE DEL TUBO CABLE PASS DX</b>		<b>RICAMBIO N.ro:</b> <b>XC75</b>
		<b>Q.TÀ</b>
	<b>1</b> Tubo Cable Pass fodero basso dx	1
<b>2. KIT CABLE PASS SX RISE 25</b>		<b>RICAMBIO N.ro:</b> <b>XF97</b>
		<b>Q.TÀ</b>
	<b>2.1</b> Corpo guidacavi Cable Pass fodero basso sx	1
	<b>2.2</b> Copertura guidacavi Cable Pass fodero basso sx	1
	<b>2.3</b> Bullone guidacavi Cable Pass fodero basso sx	1
	<b>2.4</b> Tuno sensore velocità Cable Pass	1
	<b>2.5</b> Tubo freno posteriore Cable Pass	1
<b>3. TAPPO CIECO DERAGLIATORE POSTERIORE AXS</b>		<b>RICAMBIO N.ro:</b> <b>X522</b>
		<b>Q.TÀ</b>
	<b>3</b> Tappo cieco deragliatore posteriore Sram AXS 6 mm	1

<b>4. TUBO DI PROTEZIONE DEL CAVO DEL CAMBIO Di2</b>		<b>RICAMBIO N.ro: X989</b>
		<b>Q.TÀ</b>
	<b>4</b> tubo di protezione del cavo del cambio Di2	2

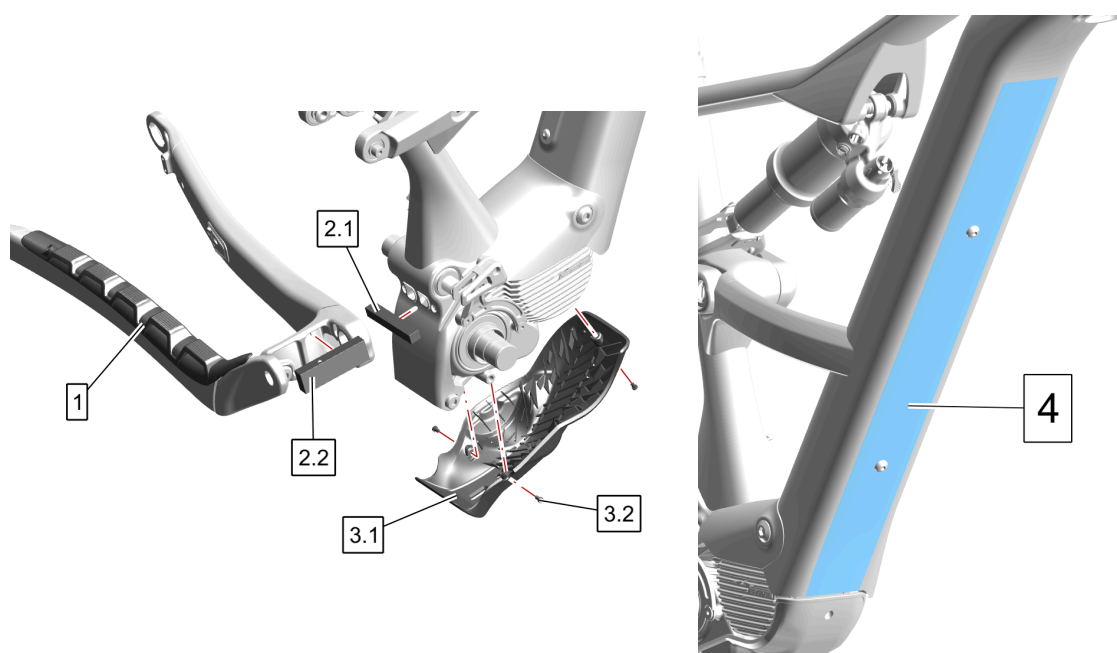
  

<b>5. GUIDACAVO CABLE PASS FT-FORCELLONE</b>		<b>RICAMBIO N.ro: XF95</b>
		<b>Q.TÀ</b>
	<b>5.1</b> Guidacavo FT-forcellone	1
	<b>5.2</b> Bullone inox M3x8mm ISO7380	2

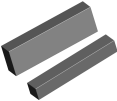
  

<b>6. GUIDACAVO INVOLUCRO MOTORE</b>		<b>RICAMBIO N.ro: XF96</b>
		<b>Q.TÀ</b>
	<b>6.1</b> Guidacavo dell'alloggiamento del motore	1
	<b>6.2</b> Bullone inox M3x10 DIN7991	2

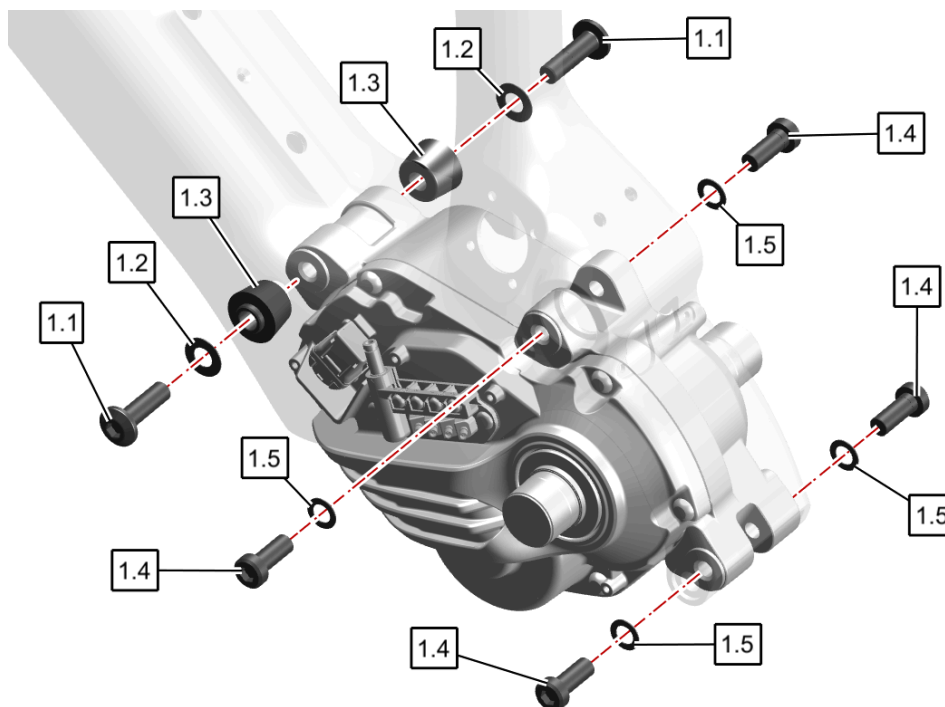
## PROTEZIONI




[Cliccare sul codice ricambio per acquistare online](#)

<b>1. PROTEZIONE IN GOMMA PER FODERO BASSO DX RISE H 25</b>		<b>RICAMBIO N.ro:</b> XG11
		<b>Q.TÀ</b>
	1 Protezione adesiva in gomma per fodero basso dx Rise H 25	1
<b>2. PROTEZIONE IN SCHIUMA SWINGARM-FT</b>		<b>RICAMBIO N.ro:</b> XG12
		<b>Q.TÀ</b>
	2.1 Protezione inferiore adesiva in schiuma FT	1
	2.2 Protezione superiore adesiva a cerniera in schiuma	1
<b>3. PROTEZIONE MOTORE EP801/EP6 RISE 25</b>		<b>RICAMBIO N.ro:</b> XF93
		<b>Q.TÀ</b>
	3.1 Protezione motore EP801/EP6 Rise 2025	1
	3.2 Bullone protezione motore	3
<b>4. PROTEZIONE ADESIVA TRASPARENTE TUBO OBLIQUO</b>		<b>RICAMBIO N.ro:</b> XG13
		<b>Q.TÀ</b>
	4 Protezione adesiva trasparente tubo obliquo	1

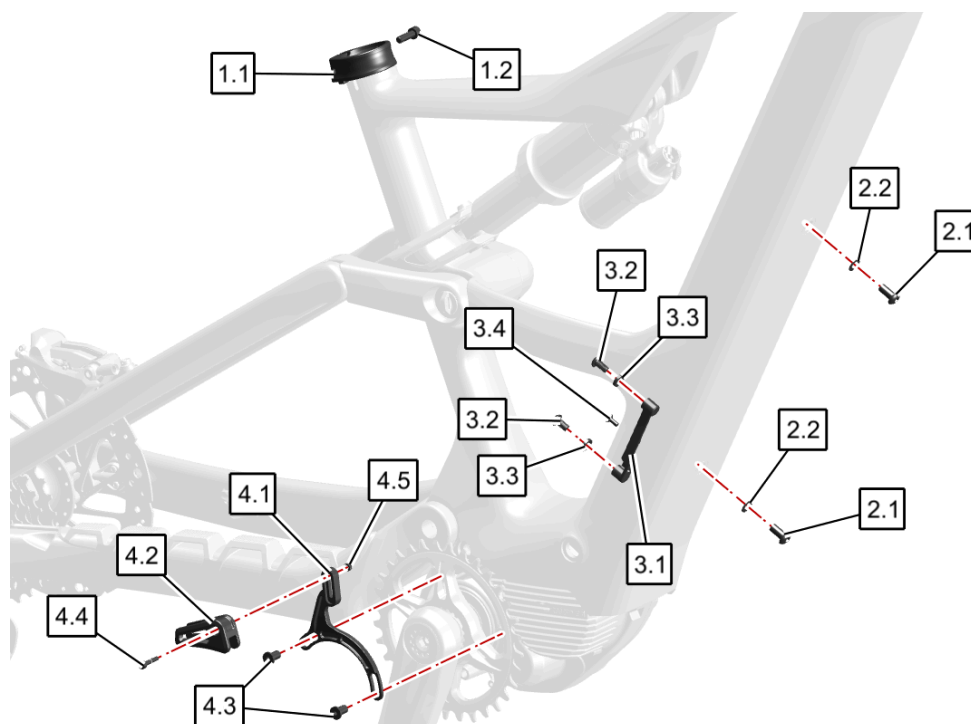
## FISSAGGIO MOTORE



[Cliccare sul codice ricambio per acquistare online](#)


<b>1. KIT FISSAGGIO MOTORE RISE 2025</b>		<b>RICAMBIO N.ro: XF99</b>
		<b>Q.TÀ</b>
	<b>1.1</b> Bullone M8x27,6 C16,5	2
	<b>1.2</b> Rondella inox 8,5x16,5x0,5	2
	<b>1.3</b> Boccia ant. motore 8x22x13,6	2
	<b>1.4</b> Bullone M8xP1,25	4
	<b>1.5</b> Rondella 13 mm	4


## ALTRA FERRAMENTA TELAIO



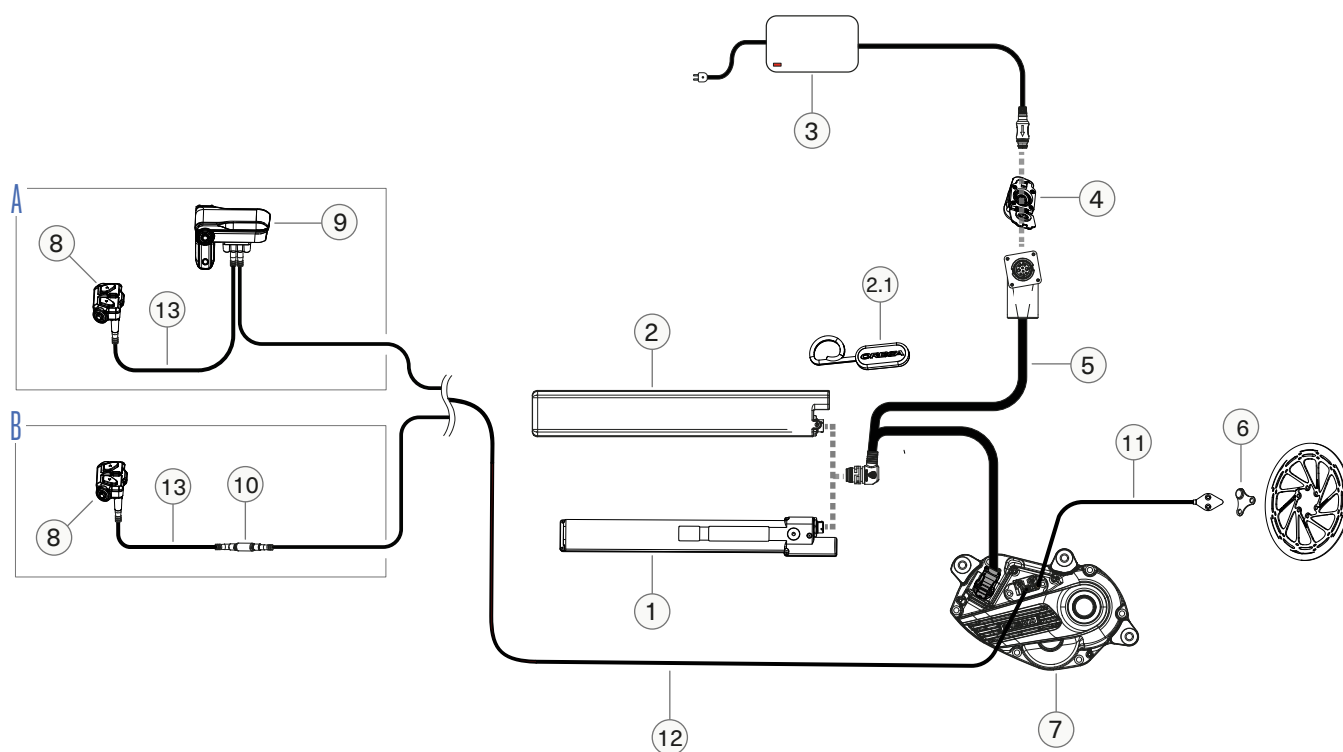
Cliccare sul codice ricambio per acquistare online

<b>1. MORSETTO REGGISELLA 34,9</b>		<b>RICAMBIO N.ro:</b> X202
		<b>Q.TÀ</b>
	1.1 Morsetto reggisella 34,9 mm Nero	1
	1.2 Bullone morsetto	1
<b>2. KIT PER IL FISSAGGIO DELLA BATTERIA INTERNA</b>		<b>N.ro ricambio:</b> XA88
		<b>Q.TÀ</b>
	2.1 Bullone batteria M6x9 mm	2
	2.2 Rondella 6x11x0,5 mm	2
<b>3. KIT PIASTRINA INTERNA PORTABORRACCIA</b>		<b>RICAMBIO N.ro:</b> XF98
		<b>Q.TÀ</b>
	3.1 Piastra interna per portaborraccia	1
	3.2 Bullone M5x10 mm	2
	3.3 Rondella 5,5x10x2, nera	2
	3.4 Bullone M3x6mm DIN 7991	1

<b>3.a. KIT PORTABORRACCIA RISE</b>			<b>N.ro ricambio: XA80</b>
			<b>Q.TÀ</b>
	<b>3.a.1</b>	Rondella 5,5x10x2, nera	4
	<b>3.a.2</b>	Bullone M5x10 mm	1

<b>4. KIT GUIDACATENA RISE 25 LINEA CATENA 55</b>			<b>RICAMBIO N.ro: XF90</b>
			<b>Q.TÀ</b>
	<b>4.1</b>	Supporto guidacatena Rise 25 linea di catena 55 mm	1
	<b>4.2</b>	Corpo Guidacatena	1
	<b>4.3</b>	Bulloni motore-guidacatena	2
	<b>4.4</b>	Bullone M3x15 DIN 912	1
	<b>4.5</b>	Dado M3 DIN934	1

## COMPONENTI DEL SISTEMA ELETTRICO


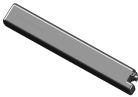



Cliccare sul codice ricambio per acquistare online (ricambi Orbea)








A. Con display Shimano SC-EN600





B. Senza display Shimano SC-EN600

### COMPONENTI ORBEA EBIKE SYSTEMS

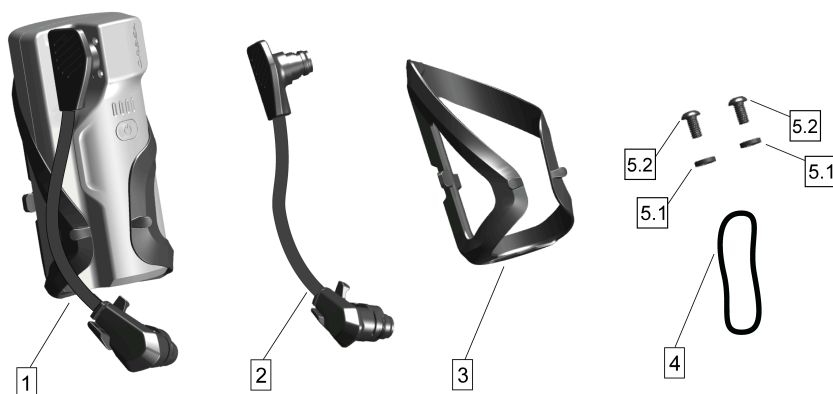
<b>1. BATTERIA ORBEA 420 Wh GEN2</b>		<b>RICAMBIO N.ro:</b> XG03
Disp. presso i rivenditori Orbea		<b>Q.TÀ</b>
	1. Batteria Orbea 420 Wh Gen2	1
<b>2. BATTERIA ORBEA 630 Wh GEN2</b>		<b>RICAMBIO N.ro:</b> XF39
Disp. presso i rivenditori Orbea		<b>Q.TÀ</b>
	1. Batteria Orbea 630 Wh Gen2	1
<b>2.1. ANELLO BATTERIA ORBEA</b>		<b>RICAMBIO N.ro:</b> XF80
		<b>Q.TÀ</b>
	2.1. Anello batteria Orbea	1






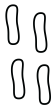


<b>3. ORBEA SMART CHARGER GEN2</b>		<b>RICAMBIO N.ro:</b> X977
		<b>Q.TÀ</b>
	<b>3.</b> Caricabatterie Smart Charger Orbea Gen2	1
<b>4. SPORTELLINO PUNTO DI RICARICA RISE 25</b>		<b>RICAMBIO N.ro:</b> XG01
Bulloni di fissaggio inclusi		<b>Q.TÀ</b>
	<b>4..</b> Sportellino punto di ricarica Rise 25	1
<b>5. CABLAGGIO RISE 25 GEN2</b>		<b>RICAMBIO N.ro:</b> XG02
		<b>Q.TÀ</b>
	<b>5..</b> Cablaggio batteria-motore-punto di ricarica Rise 2025 Gen2	1
<b>6. MAGNETE SENSORE DI VELOCITÀ A 6 BULLONI</b>		<b>RICAMBIO N.ro:</b> X240
		<b>Q.TÀ</b>
	<b>6.</b> Magnete sensore velocità a 6 bulloni	1
<b>COMPONENTI SHIMANO</b> (disponibili presso il distributore Shimano)		
<b>7. MOTORE EP801/EP6</b>		<b>DU-EP801 / DU-EP6</b>
		<b>Q.TÀ</b>
	<b>7.</b> Motore Shimano EP801/EP6	1
<b>8. TELECOMANDO SW-EN600-L</b>		<b>SW-EN600-L</b>
		<b>Q.TÀ</b>
	<b>8.</b> Telecomando SW-EN600-L	1
<b>9. DISPLAY SC-EN600</b>		<b>SC-EN600</b>
		<b>Q.TÀ</b>
	<b>9.</b> Display SC-EN600	1

<b>10. GIUNZIONE EW-JC302</b>		<b>EW-JC302</b>
		<b>Q.TÀ</b>
	<b>10.</b> Giunzione EW-JC302	1
<b>11. SENSORE DI VELOCITÀ EW-SS301</b>		<b>EW-SS301</b>
Bulloni di fissaggio inclusi		<b>Q.TÀ</b>
	<b>11.</b> Sensore velocità EW-SS301	1
<b>12. CAVO EW-SD300 1200 mm</b>		<b>EW-SD300 700</b>
		<b>Q.TÀ</b>
	<b>12.</b> Cavo EW-SD300 1200 mm	1
<b>13. CAVO EW-SD300 700 mm</b>		<b>EW-SD300 700</b>
		<b>Q.TÀ</b>
	<b>13.</b> Cavo EW-SD300 1200 mm	1

## RANGE EXTENDER RS 210 WH GEN2



Cliccare sul codice ricambio per acquistare online

<b>1. RANGE EXTENDER RS 210 Wh GEN2</b>		<b>N.RO RICAMBIO:</b> <b>N.D.</b>
Incl. cavo collegamento 120 mm, supporto portaborraccia e fascetta di fissaggio in gomma		<b>Q.TÀ</b>
	<b>1</b> Range Extender RS 210 completa	<b>1</b>
<b>2. CAVO COLLEGAMENTO RANGE EXTENDER RS 210 Wh 120 mm</b>		<b>RICAMBIO N.ro:</b> <b>XG04</b>
		<b>Q.TÀ</b>
	<b>2</b> Cavo di collegamento Range Extender RS 210 Wh Gen2 120 mm	<b>1</b>
<b>3. SUPPORTO RANGE EXTENDER RS 210 Wh GEN2</b>		<b>RICAMBIO N.ro:</b> <b>XG05</b>
		<b>Q.TÀ</b>
	<b>3</b> Supporto portaborraccia Range Extender RS 210 Wh Gen2	<b>1</b>
<b>4. KIT FASCETTA DI FISSAGGIO IN GOMMA RANGE EXTENDER RS 210 Wh</b>		<b>RICAMBIO N.ro:</b> <b>XG06</b>
		<b>Q.TÀ</b>
	<b>4</b> Kit fascetta di fissaggio in gomma Range Extender	
<b>5. KIT PORTABORRACCIA RISE</b>		<b>N.ro ricambio:</b> <b>XA80</b>
		<b>Q.TÀ</b>
	<b>5.1</b> Rondella 5,5x10x2, nera	<b>4</b>
	<b>5.2</b> Bullone M5x10	<b>2</b>

# 25 INFORMAZIONI AGGIUNTIVE

UTrova ulteriori informazioni su Orbea possono essere trovate sui social media:

## FACEBOOK

[www.facebook.com/orbeabicycles](http://www.facebook.com/orbeabicycles)

## INSTAGRAM

[www.instagram.com/orbeabicycles](http://www.instagram.com/orbeabicycles)

## LINKEDIN

[www.linkedin.com/company/orbea-s-coop](http://www.linkedin.com/company/orbea-s-coop)

## YOUTUBE

[www.youtube.com/user/OrbeaBicycles](http://www.youtube.com/user/OrbeaBicycles)

## MANUALI

Scarica l'ultima versione di questo manuale e di tutti gli altri prodotti Orbea o OC qui:

[www.orbea.com/gb-en/support/manuals/](http://www.orbea.com/gb-en/support/manuals/)

## CONTATTI

Per porre domande sui nostri prodotti, visita il sito:

[www.orbea.com/gb-en/contact/](http://www.orbea.com/gb-en/contact/)

## BLOG ORBEA

[www.orbea.com/blog](http://www.orbea.com/blog)

---

Orbea S. Coop. 2024  
Goitondo Kalea, 2, 48269 Mallabia, Bizkaia. Spagna

T. 0034 943 17 19 50

Tutti i diritti riservati. La modifica del presente documento è vietata. I contenuti del presente manuale sono soggetti a variazioni delle specifiche senza preavviso.

Per la versione più aggiornata, consultare: [www.orbea.com](http://www.orbea.com)

# INDEX

<b>01 ÜBER DIESES HANDBUCH .....</b>	<b>505</b>
<b>02 ERLÄUTERUNG DER SYMBOLE .....</b>	<b>506</b>
<b>03 ORBEA GARANTIE .....</b>	<b>507</b>
Gesetzliche Gewährleistung .....	507
Lebenslange Orbea Garantie .....	507
Registriere dein Fahrrad .....	507
Gewährleistung auf Komponenten des elektrischen Unterstützungssystems .....	508
Shimano Steps Komponenten .....	508
Exklusive Orbea RS-Komponenten .....	508
Inanspruchnahme der Gewährleistung .....	508
<b>04 WARTUNG .....</b>	<b>509</b>
Fahrrad reinigen .....	509
Schmierstoffe des Antriebs .....	509
Überprüfung vor jeder Fahrt .....	509
Wartungsintervalle .....	510
Ersatzteile .....	511
Nach einem Sturz oder Aufprall .....	512
<b>05 WARNHINWEISE ZUM GEBRAUCH DES RISE .....</b>	<b>513</b>
Maximale Reifenbreite .....	513
Mindesteinschubtiefe der Sattelstütze .....	513
Maximale Länge der Gabel (Achse bis Krone) .....	513
Maximale Anzahl der Steuersatz-Spacer .....	513
Mindestabstand zwischen Laufrad und Sattel bei voller Einfederung .....	514
Vorgesehener Einsatzzweck .....	514
<b>06 WARNHINWEISE ZUM GEBRAUCH DES ELEKTRISCHEN UNTERSTÜTZUNGSSYSTEMS .....</b>	<b>515</b>
Befolge stets die Anwendungsempfehlungen zu den elektrischen Komponenten und Akkus .....	515
Weitere wichtige Informationen zu Orbea Ebike System Li-Ionen-Akkus .....	516
Reichweite .....	518
Transport von E-Bike-Akkus .....	518
Transport von E-Bikes .....	518
<b>07 TECHNISCHE DATEN .....</b>	<b>519</b>
Geometrie .....	519
Ergonomie .....	520
Maximale und minimale Sitzhöhe bei Variostützen .....	520
Technische Daten des Rahmens .....	522

Technische Daten Shimano Ep801 und Ep600 .....	525
Technische Daten des Orbea E-Bike Systems Gen2 .....	527
<b>08 VERWENDUNG DES RISE .....</b>	<b>530</b>
Aufladen des integrierten Akkus .....	530
Integrierte Akkus Orbea RS 630 Wh Gen2 und 420 Wh Gen2 .....	530
Externer Akku Range Extender 210 Wh Gen2 .....	531
Ein-/Ausschalten des Rise .....	531
Anzeigen des Akkuladestands .....	531
Bedieneinheit SW-EN600-L .....	531
Display SC-EN600 .....	531
Kompatible Garmin Geräte. Orbea RS Toolbox .....	532
Orbea Akkus RS Gen2 .....	532
Wechseln der Unterstützungsstufe .....	532
Unterstützungsprofile. RS/RS+ .....	533
Auswahl der Unterstützungsprofile .....	533
Anpassen der Unterstützungsstufen .....	534
Warnhinweise/Fehlermeldungen des elektrischen Unterstützungssystems .....	535
Bedienen des Displays über die Schaltereinheit SW-EN600-L .....	536
Anschluss von Beleuchtung am Rise .....	536
E-TUBE RIDE App. ....	536
Orbea RS Toolbox Datenfeld für Garmin Geräte .....	537
Einstellung der Federung .....	537
Einstellung der Federgabel .....	537
Einstellen der Dämpfer .....	542
<b>09 STEUERSATZ HS02 .....</b>	<b>546</b>
HS02-Steuersatzelemente am Rise Hydro .....	546
Technische Daten zum HS02-Steuersatz des Rise .....	547
Kabelführung im HS02-Steuersatz am Rise .....	547
Montage des Steuersatzes HS02 .....	548
Steuersatz-Spacer hinzufügen oder abnehmen .....	550
<b>10 VORBAUTEN .....</b>	<b>552</b>
OC ST-MC10 / ST-MC20 Vorbauten. Bestandteile .....	552
VORBAU OC ST-MC11. Bestandteile .....	553
Vorbauten OC MC10/MC11/MC20. Technische Daten .....	553
OC ST-MC10, ST-MC20 und ST-MC11. Montagehilfsmittel und Anzugsdrehmomente .....	554
Montage von OC Mountain Control Vorbauten .....	555
<b>11 GPS-HALTERUNG OC CM-05 .....</b>	<b>557</b>
<b>12 LENKER .....</b>	<b>558</b>
Technische Daten zu OC-Lenkern .....	558
<b>13 RADACHSEN UND SCHALTAUGE .....</b>	<b>559</b>
Montagehilfsmittel und Anzugsdrehmomente .....	559

<b>14 HAUPTDREHPUNKT DES HINTERBAUS</b> .....	<b>561</b>
Montagehilfsmittel und Anzugsdrehmomente .....	561
Montage.....	561
<b>15 DÄMPFERWIPPEN- UND DÄMPFERBEREICH</b> .....	<b>562</b>
Bestandteile .....	562
Montagehilfsmittel und Anzugsdrehmomente .....	563
Drehpunkt Rahmen-Hinterbau. Montagehilfsmittel und Anzugsdrehmomente .....	563
Drehpunkt Sitzstrebe-Dämpferwippe Montagehilfsmittel und Anzugsdrehmomente.....	564
SL-Dämpferverlängerung. Montagehilfsmittel und Anzugsdrehmomente .....	565
LT-Dämpferverlängerung. Montagehilfsmittel und Anzugsdrehmomente .....	565
Befestigung des SL-Dämpfers .....	567
Befestigung des LT-Dämpfers .....	568
Attitude Adjust. Geometrieangepassung bei LT-Modellen .....	568
<b>16 MONTAGE DER SATTELSTÜTZENSCHELLE</b> .....	<b>570</b>
<b>17 KETTENFÜHRUNG</b> .....	<b>571</b>
<b>18 LOCKR. WERKZEUGAUFBEWAHRUNG IM RAHMEN</b> .....	<b>571</b>
OC FLP MT-20 Multitool und Hinterachsenhebel .....	571
<b>19 FLASCHENHALTER</b> .....	<b>572</b>
<b>20 PROTEKTOREN</b> .....	<b>573</b>
Kettenstreben- und Motorschutz .....	573
<b>21 KABELFÜHRUNG</b> .....	<b>574</b>
Übersicht über die Kabelführung im Rahmen.....	574
Cable Pass. Kabelführung zwischen Hauptdreieck und Hinterbau.....	574
Einpassen der Kabelhüllen für den Cable Pass.....	575
Kabelführung im Motorgehäuse .....	577
Kabelführung für Shimano-Komponenten an Vorbau und Lenker .....	577
<b>22 KOMPONENTEN DES ELEKTRISCHEN UNTERSTÜTZUNGSSYSTEMS</b> .....	<b>579</b>
Anschlusschema der Komponenten.....	579
Anschluss der Motorkomponenten .....	580
Geschwindigkeitssensor. Kompatible Bremscheiben und Magnete .....	581
Montage des Motors am Rahmen.....	582
Integrierter Akku.....	582
Technische Daten des integrierten Akkus.....	582
Montage des integrierten Akkus im Rahmen .....	583
Verbinden des Kabelbaums mit dem integrierten Akku .....	583
Störungsbeseitigung am integrierten Akku (Händlerinformationen) .....	584
Ausbau des integrierten Akkus (Information für Händler).....	584
Range Extender RS 210 Wh Gen2.....	587
Kompatibilitätshinweis.....	587
Technische Daten .....	587

Aufladen des Range Extenders .....	588
Montage des Range Extenders .....	589
Funktionsweise des Range Extenders .....	590
Anzeige des Ladestands .....	591
Aufbewahrung des Range Extenders .....	592
Prüfen des Akkuzustands des Range Extenders .....	592
Fehlerbeseitigung .....	593
Smart Charger 2A-4A Gen2 .....	594
Verbindung mit E-Tube Professional. Händlerinformationen .....	596
<b>23 ANZUGSDREHMOMENTE. ÜBERSICHT .....</b>	<b>599</b>
<b>24 ERSATZTEILE RISE HYDRO 2025 .....</b>	<b>601</b>
Steuersatz .....	602
Vorbauten OC MC10/MC20 .....	604
Vorbau OC ST-MC11 .....	606
Hinterradachse .....	608
Hauptdrehpunkt des Hinterbaus .....	610
Dämpferwippe .....	611
Dämpferverlängerung SL .....	613
Dämpferverlängerung LT .....	614
Dämpferbefestigung .....	616
Kabelführung .....	617
Protektoren .....	619
Motorbefestigung .....	620
Sonstige Rahmenteile .....	621
Komponenten des elektrischen Antriebssystems .....	623
Range Extender RS 210 Wh Gen2 .....	626
<b>25 ZUSÄTZLICHE INFORMATIONEN .....</b>	<b>627</b>



# 01 ÜBER DIESES HANDBUCH

Dieses technische Handbuch enthält wichtige Informationen zu deinem Fahrrad, seiner Verwendung, seiner Wartung und seinen Ersatzteilen. Bitte aufmerksam durchlesen.

Dieses Dokument bildet eine Ergänzung der allgemeinen Bedienungsanleitung zu Orbea Fahrrädern und Komponenten, welche detaillierter auf die korrekte Nutzung und Einstellung der wichtigsten Bestandteile der Fahrräder eingeht, um eine sichere Fahrt und Bedienung zu ermöglichen. Diese Bedienungsanleitung sowie die weiteren technischen Handbücher zu den Orbea Produkten findest du zur Ansicht und zum Download auf unserer Website:

[www.orbea.com/de-de/support/manuals](http://www.orbea.com/de-de/support/manuals)

Wichtige Informationen zu Einsatz, Wartung und Eigenschaften von Komponenten anderer Hersteller, die an unseren Fahrrädern verbaut sind, findest du auf der Website des betreffenden Herstellers oder über dessen Vertrieb in deinem Land. Bei den Komponenten kann es sich zum Beispiel um Laufräder, Lenker, Motoren, Federgabeln und weitere handeln.

## **WARNHINWEIS FÜR BENUTZER**

---

Die Montage und/oder Wartung der in diesem Handbuch beschriebenen Komponenten setzt besondere mechanische Kenntnisse und Fertigkeiten über das üblicherweise bei Verbrauchern vorhandene Maß voraus. Wenn du als Nutzer nicht über die nötigen Kenntnisse und Fertigkeiten zur sicheren Montage dieser Komponenten verfügst, lasse die Montage, den Austausch und die Wartung der Komponenten deines Fahrrads aus Sicherheitsgründen immer von einem Orbea-Händler durchführen.

Schäden an Komponenten, die infolge unsachgemäßer Montage oder Wartung entstehen, sind nicht durch die Gewährleistung abgedeckt.

## 02 ERLÄUTERUNG DER SYMBOLE

In diesem Handbuch werden verschiedene Symbole verwendet, um Anleitungen, Warnhinweise und wichtige Informationen zu Gebrauch, Wartung und Montage zu verdeutlichen. Achte auf diese Symbole, um Gefahrensituationen zu vermeiden und die korrekte Montage und Nutzung sämtlicher Bauteile zu gewährleisten.

Im Folgenden erklären wir die Bedeutung der einzelnen Symbole. In diesem Handbuch wird das Symbol jeweils zusammen mit der für das betroffene Bauteil relevanten Anweisung genutzt. Lies die folgenden Erklärungen aufmerksam durch, um ihre Bedeutung zu verstehen.

### SICHERHEITSSANWEISUNGEN



**GEFAHR:** Eine gefährliche Situation, die schwere oder tödliche Verletzungen zur Folge hat, wenn sie nicht vermieden wird.



**WARNUNG:** Eine gefährliche Situation, die schwere oder tödliche Verletzungen nach sich ziehen kann, wenn sie nicht vermieden wird.



**VORSICHT:** Eine gefährliche Situation, die zu leichten bis mittelschweren Verletzungen führen kann, wenn sie nicht gemieden wird.

#### WARNUNG

Situation, die nicht mit körperlicher Verletzung zusammenhängt. Wichtige Information.



**GEFAHR. STROMSCHLAGGEFAHR:** Gefahrensituation, die zu schweren Verletzungen oder Tod durch Stromschlag führen kann, wenn sie nicht gemieden wird.



**WARNUNG. KURZSCHLUSSGEFAHR:** Die Nichtbeachtung der Anweisungen kann zu Kurzschlüssen an den elektrischen Bauteilen führen. Dadurch können die Komponenten beschädigt werden und in Brand geraten.

Die Symbole GEFAHR und WARNUNG weisen auf die Gefahr eines Unfalls hin, wenn nicht entsprechende Maßnahmen ergriffen werden, um die beschriebene Situation zu vermeiden. Ein Fahrradunfall birgt immer das Risiko schwererer oder gar tödlicher Verletzungen. In diesem Handbuch wird in Zusammenhang mit diesen Symbolen nicht jedes Mal auf die Gefahr tödlicher Verletzungen hingewiesen, da diese hier ausführlich beschrieben wird.

### WERKZEUGE



GABELSCHLÜSSEL



TORX-SCHLÜSSEL



INNENSECHSKANTSCHLÜSSEL



KREUZSCHLITZSCHRAUBENDREHER



Die zu verwendende Werkzeuggröße wird im Symbol angegeben



10 N.m

Das richtige Drehmoment in Newtonmetern ist jeweils unter dem Symbol für das zu verwendende Werkzeug angegeben.

Wichtig ist, dass stets die richtigen Werkzeuge und Produkte für die jeweilige Wartung oder Reparatur verwendet werden. Ungeeignete oder schlecht gepflegte Werkzeuge, aber auch die Verwendung von Allzweckprodukten, können Schäden an Komponenten verursachen, die dann nicht unter die Gewährleistung fallen.

### MONTAGEHILFSMITTEL

In diesem Handbuch ist die Legende für die in einem bestimmten Bauteil oder Bereich zu verwendenden Montagehilfsmittel in jedem Bild zur Montage des betreffenden Bauteils angegeben.

## 03 ORBEA GARANTIE

Dank des unermüdlischen Einsatzes zur Fertigung von Fahrrädern höchster Qualität kann Orbea folgende Konditionen zu Garantie und Gewährleistung anbieten:

### GESETZLICHE GEWÄHRLEISTUNG

Orbea bietet der Erstkäuferin oder dem Erstkäufer dieses Orbea Fahrrads, der Starrgabel und OC-Komponenten eine gesetzliche Gewährleistung von drei Jahren ab Kauf des Artikels, beziehungsweise über die Dauer der im Land des Kaufs gesetzlich vorgeschriebenen Gewährleistungsfrist.

Diese Gewährleistung deckt Herstellungsfehler und/oder Nichtkonformität an sämtlichen Orbea Produkten ab und garantiert Reparatur oder Austausch des beschädigten Produktes ohne zusätzliche Kosten für die betroffene Kundin oder den Kunden. Zudem deckt diese Gewährleistung Farb-, Lack- und Korrosionsschäden an sämtlichen von uns in unseren Fahrrädern verbauten Rahmen und Starrgabeln für den im vorigen Abschnitt genannten Zeitraum ab.

Die Bearbeitung von Gewährleistungsansprüchen für Komponenten von Lieferanten außerhalb von Orbea muss über einen Vertragshändler des Lieferanten der betreffenden Komponente abgewickelt werden.

Keinesfalls deckt diese Gewährleistung Schäden ab, die auf unsachgemäßen Gebrauch, Stürze, Unfälle oder fehlende Wartung sowie die übliche Abnutzung von Verschleißteilen wie insbesondere Dichtungen, Lager, Lenkerband, Speichen, Reifen oder Sättel zurückzuführen sind.

Für die vollständige Beschreibung der Deckungsbedingungen und der gesetzlichen Gewährleistung siehe:

[www.orbea.com/de-de/warranty](http://www.orbea.com/de-de/warranty)

### LEBENSLANGE ORBEA GARANTIE

Über die gesetzliche Gewährleistung hinaus bietet Orbea der Erstkäuferin oder dem Erstkäufer des Fahrrads nach Registrierung des Fahrrads über die Orbea Website innerhalb von 30 Tagen nach dem Kauf eine gewerbliche, lebenslange Orbea Garantie. Diese deckt Herstellungs- und Konformitätsfehler der von uns in unseren Fahrrädern verbauten Rahmen und Starrgabeln ohne zeitliche Befristung ab.

Diese Garantie verlängert zudem den Zeitraum der Deckung von Farb-, Lack- oder Korrosionsschäden an Rahmen und Starrgabeln um ein Jahr nach Ablauf der gesetzlichen Gewährleistung.

Die gewerbliche, lebenslange Orbea Garantie gilt nur für Rahmen und Starrgabeln, nicht für OC-Komponenten.

Die vollständige Beschreibung der Bedingungen der lebenslangen Garantie gibt es unter:

[www.orbea.com/gb-en/warranty/#orbea-lifetime-warrant](http://www.orbea.com/gb-en/warranty/#orbea-lifetime-warrant)

## REGISTRIERE DEIN FAHRRAD

Um die lebenslange Orbea Garantie nutzen zu können, musst du dein Fahrrad innerhalb von 30 Tagen nach dem Kauf unter folgendem Link registrieren:

[www.orbea.com/gb-en/acceso-registro?from=register-plate/](http://www.orbea.com/gb-en/acceso-registro?from=register-plate/)

### 1. REGISTRIERE DEIN KONTO

The screenshot shows the 'REGISTRATE EN ORBEA' section of the website. It includes a form with fields for 'EMAIL\*' and 'CONTRASEÑA\*'. Below the form is a 'REGISTRAR' button. To the right, there is a list of benefits: 'GARANTÍA ORBEA', 'PERSONALIZACIÓN', 'NEWSLETTER', 'COMPRA ONLINE', and 'DEMO'. At the bottom, there are checkboxes for accepting terms and conditions and a 'REGISTRAR' button.

### 2. REGISTRIERE DEINE RAHMENNUMMER

The screenshot shows the 'REGISTRO DE GARANTÍA' section. It includes a form with fields for 'MATRÍCULA\*' and 'FECHA DE COMPRA\*'. Below the form, there are two dropdown menus for 'MI NIVEL DE SATISFACCIÓN CON EL PROCESO DE COMPRA ES...' and 'MI NIVEL DE SATISFACCIÓN CON EL PRODUCTO ES...'. At the bottom, there are checkboxes for accepting terms and conditions and a 'REGISTRAR MATRÍCULA' button.

### 3. HIER FINDEST DU DEINE RAHMENNUMMER



## GEWÄHRLEISTUNG AUF KOMPONENTEN DES ELEKTRISCHEN UNTERSTÜTZUNGSSYSTEMS

### SHIMANO STEPS KOMPONENTEN

Für die Komponenten des Shimano STEPS Antriebssystems (Motor, Geschwindigkeitssensor, Schalter zum Wechsel der Unterstützungsstufe, Display und Di2-Verkabelung) gilt eine gesetzliche Gewährleistung von 3 Jahren ab Kauf des Artikels oder des Fahrrads beziehungsweise die im Land des Kaufs gesetzlich vorgeschriebene Gewährleistungsfrist.

Alle Gewährleistungsanfragen müssen über Shimano oder einen autorisierten Händler der Marke abgewickelt werden.

### EXKLUSIVE ORBEA RS-KOMPONENTEN

Für die Komponenten des exklusiven elektrischen Antriebssystems RS von Orbea (integrierter Akku, Range Extender, Kabelbaum zum Anschluss an Akku, Motor und Ladebuchse) gilt eine gesetzliche Gewährleistung für einen Zeitraum von 3 Jahren oder für den im Land des Kaufs gesetzlich vorgeschriebenen Gewährleistungszeitraum ab dem Kauf des Artikels oder Fahrrads.

Alle Gewährleistungsanfragen müssen über einen unserer autorisierten Händler an Orbea gerichtet werden.

Diese Gewährleistung deckt Herstellungsfehler und/oder Nichtkonformität an sämtlichen Produkten von Shimano und Orbea ab und garantiert die Reparatur oder den Austausch des fehlerhaften Produktes ohne zusätzliche Kosten für die betroffene Kundin oder den Kunden.

Keinesfalls deckt diese Gewährleistung Schäden ab, die auf unsachgemäßen Gebrauch, Stürze, Unfälle, fehlerhafte Installation oder fehlende Wartung oder Nichtbeachtung der Hinweise zu Nutzung, Aufbewahrung, Aufladen etc. in diesem Handbuch zurückzuführen sind.

Der Kapazitätsverlust der RS Akkus (integrierter Akku und Range Extender) aufgrund der natürlichen Alterung der Zellen durch Nutzung, Aufladung und Aufbewahrung ist nicht durch die Gewährleistung abgedeckt.

## INANSPRUCHNAHME DER GEWÄHRLEISTUNG

Alle Gewährleistungsfälle müssen über einen autorisierten Orbea Händler abgewickelt werden, der eine erste Prüfung durchführt und sämtliche für die vollständige Prüfung des Falls benötigten Unterlagen an Orbea, Shimano oder den Hersteller der beanstandeten Komponente weiterleitet. Der Händler informiert die Kundin oder den Kunden über den Bearbeitungsstatus sowie die von Orbea, Shimano oder dem Hersteller der betreffenden Komponente bezüglich des Gewährleistungsfalls getroffene Entscheidung.

### GEWÄHRLEISTUNGSANSPRÜCHE UND REPARATUREN VON KOMPONENTEN DES ANTRIEBSSYSTEMS

**SHIMANO:** Die Abwicklung von Gewährleistungsfällen oder Reparaturen der folgenden Bestandteile des Antriebssystems erfolgt über Shimano:

- Shimano-Motoren EP801 RS und EP6 RS.
- Geschwindigkeitssensor.
- Spezifische STEPS/Di2-Verkabelung.
- Unterstützungsschalter SW-EN600-L.
- Display SC-EN600

**ORBEA:** Die Abwicklung von Gewährleistungsfällen oder Reparaturen der folgenden Bestandteile des Antriebssystems erfolgt über Orbea:

- Externer Akku Range Extender 210 Wh Gen2.
- Orbea E-Bike System integrierte Akkus 540 Wh Gen2/630 Wh Gen2/420 Wh Gen2.
- Kabelbaum zum Anschluss am integrierten Akku, am Motor und an der Gen 2 Ladebuchse.
- RS Gen2 Smart Charger.

Wir empfehlen, zur Geltendmachung eines Gewährleistungsfalles stets den Händler aufzusuchen, bei dem das Fahrrad gekauft wurde. Bei Direktlieferung des Fahrrads nach Hause wende dich an den beim Kauf gewählten Händler. Solltest du dich nicht an den ursprünglichen Händler wenden können, findest du eine Übersicht der autorisierten Händler auf unserer Webseite. Du kannst auch direkt Kontakt mit Orbea aufnehmen, damit wir dir den Händler nennen können, an den du dich wenden solltest.

[www.orbea.com/gb-en/distribuidores/?country](http://www.orbea.com/gb-en/distribuidores/?country)

[www.orbea.com/gb-en/contact/](http://www.orbea.com/gb-en/contact/)

## 04 WARTUNG

Orbea Produkte werden mit besonderem Fokus auf Haltbarkeit, Effizienz und einfache Wartung entwickelt. Zudem sind unsere Rahmen und Gabeln aus Carbon und Aluminium besonders korrosionsbeständig.

Dennoch müssen sämtliche Teile deines Rades regelmäßig gewartet werden. So stellst du sicher, dass dein Fahrrad ordnungsgemäß funktioniert, sicher ist und du lange Spaß damit hast.

### FAHRRAD REINIGEN

Reinige dein Fahrrad regelmäßig mit mildem Seifenwasser. So bleibt es wie neu. Bei der regelmäßigen Pflege merkst du zudem schnell, ob Rahmen und Komponenten noch in einwandfreiem Zustand sind. Keine Hochdruckreiniger verwenden! Der hohe Wasserdruck könnte Komponenten wie die Lager oder auch die Rahmenrohre beschädigen.

Zum Entfetten von Antrieb und Kette empfehlen sich fettlösende, biologisch abbaubare Reiniger auf Zitrusbasis.



Schmutzablagerungen an deinem Fahrrad können die Überprüfung der Komponenten erschweren und dazu führen, dass Schäden und Defekte unentdeckt bleiben und so zu Problemen oder gar Unfällen führen.

#### WARNUNG

Außerdem führt angesammelter Schmutz zu vorzeitigem Verschleiß der Komponenten und kann sogar zu Beschädigungen des Rahmens führen, besonders im Bereich der Lager und beweglicher Teile. Auf fehlende Pflege und Wartung zurückzuführende Schäden sind nicht durch die Gewährleistung abgedeckt.

### SCHMIEREN DES ANTRIEBS

Nach der Reinigung deines Fahrrads solltest du den gesamten Antrieb und insbesondere die Kette schmieren. Verwende so wenig Schmiermittel wie möglich zur Behandlung der Kettenlieder und nimm überschüssiges Schmiermittel wieder auf. So vermeidest du eine vermehrte Ablagerung von Schmutz, die nicht nur die Funktion der Schaltung, sondern auch die Lebensdauer der Komponenten beeinträchtigen könnte.



Verzichte auf Schmiermittel in Form von Sprays. Diese könnten auf die Bremsflächen gelangen. Entsprechend solltest du die Bremsen nach jedem Schmiervorgang überprüfen.

### ÜBERPRÜFUNG VOR JEDER FAHRT

Überprüfe vor jeder Fahrt kurz dein Rad und stelle sicher, dass es sich in einem einwandfreien Zustand befindet. Unter Umständen fallen dir hierbei Kleinigkeiten auf, die während der Fahrt zu großen Problemen werden können.

**RAHMEN:** Überprüfe Rahmen und Gabel auf Risse oder sonstige Schäden. Es sollten keine ungewöhnlichen Geräusche auftreten. Falls du irgendwelche Beschädigungen am Rahmen feststellst, das Fahrrad nicht mehr verwenden und Kontakt mit deinem Orbea Händler aufnehmen, um das Fahrrad überprüfen zu lassen.

**KETTE:** Stelle sicher, dass sie sauber und geschmiert ist. Der Antrieb sollte keine ungewöhnlichen Geräusche entwickeln.

**BREMSEN:** Vergewissere dich, dass die Bremsen ordnungsgemäß und sicher funktionieren. Überprüfe zudem den festen Sitz der Schrauben.

**REIFEN:** Überprüfe die Reifen auf Verschleiß und Schnitte in der Lauffläche sowie den Seitenwänden. Tausche den Reifen aus, falls du Beschädigungen entdeckst. Kontrolliere vor der Fahrt zudem den Reifendruck.

**LAUFRÄDER:** Vergewissere dich, dass sich die Laufräder leichtgängig drehen und keine Seitwärtsbewegung auftritt. Ziehe die Laufräder leicht zur Seite und vergewissere dich, dass die Lager kein Seitenspiel aufweisen. Überprüfe das Laufrad auf gebrochene oder lose Speichen. Stelle sicher, dass die Achsen und Schnellspanner fest und mit dem richtigen Anzugsdrehmoment angezogen sind.

**STEUERSATZ:** Ziehe die Vorderradbremse und bewege das Fahrrad leicht vor und zurück, während du Druck auf den Lenker ausübst und das Vorderrad auf dem Boden hältst. Vergewissere dich, dass weder ungewöhnliche Geräusche noch Spiel im Steuersatz auftreten. Andernfalls könnte es sein, dass die Lager verschlissen oder nicht korrekt eingestellt sind. Ist der Steuersatz korrekt eingestellt, überprüfe, ob die Lenkung sauber und problemlos funktioniert.

**DREHPUNKTE DES HINTERBAUS:** Überprüfe bei vollgefederten Fahrrädern, ob sich die Drehpunkte des Hinterbaus sauber drehen und kein Lagerspiel aufweisen. Ziehe den Hinterbau erst zur einen und dann zur anderen Seite des Fahrrads und achte dabei auf ungewöhnliche Geräusche und Spiel an den Drehpunkten. Falls der Hinterbau nicht sauber arbeitet oder Spiel aufweist, die Anzugsdrehmomente der Schrauben überprüfen. Zudem könnte es sein, dass die Lager verschlissen oder beschädigt sind.

**LAGER:** Bei den Lagern eines Fahrrads (Tretlager, Drehpunkte des Hinterbaus, Steuersatz, Laufradnaben etc.) handelt es sich um Verschleißteile, die regelmäßig überprüft werden müssen, um ihre ordnungsgemäße Funktion zu gewährleisten. Verschlissene Lager können die Komponenten beschädigen, in die sie eingebaut sind. Der Verschleiß von Lagern wird durch ungünstige Witterungsverhältnisse beschleunigt. Lager, die übermäßiges Spiel aufweisen oder nicht sauber laufen,

müssen umgehend ersetzt werden. Wende dich im Zweifelsfall an deine Verkaufsstelle.

#### WARNUNG

Schäden an Teilen deines Fahrrads, wie etwa dem Rahmen oder den Laufrädern etc., die sich auf fehlende Wartung und Austausch der Lager zurückführen lassen, sind nicht durch die Gewährleistung abgedeckt.

**ELEKTRISCHES ANTRIEBSSYSTEM:** Schalte das Fahrrad ein und überprüfe die ordnungsgemäße Funktion des Antriebssystems. Überprüfe, dass das System Unterstützung liefert und sämtliche Komponenten (Motor, Display, Wechsel der Unterstützung und Geschwindigkeitssensor) funktionieren.

Sollte das Antriebssystem keine Unterstützung liefern, überprüfe sämtliche Verbindungen zwischen den einzelnen Komponenten sowie den Zustand der Komponenten und Kabel. (Beschädigte Kabel oder Komponenten müssen ersetzt werden.)

Überprüfe, ob Fehler im elektrischen Antriebssystem vorliegen. Das Shimano Display SC-EN600 zeigt gegebenenfalls den jeweiligen Fehlercode an. Die Schaltereinheit SW-EN600-L zeigt einen Fehler im System durch eine rot blinkende untere LED an. Zur Ermittlung des Fehlercodes musst du das Fahrrad mit der Shimano Etube App verbinden.

Wenn du den Fehlercode kennst, befolge die Ratschläge der App zur Behebung des Fehlers. Hinweise findest du auch im Handbuch des Shimano STEPS Systems. Falls das elektrische Antriebssystem auch nach Durchführung der beschriebenen Abhilfemaßnahmen nicht funktioniert, oder die Maßnahmen nicht selbst durchführbar sind, bringe dein Fahrrad bitte zur Überprüfung und Reparatur zu einem autorisierten Fachhandel.

Eine Auflistung der Fehlercodes und Warnungen zum Shimano STEPS System sowie die jeweilige Vorgehensweise zur Fehlerbehebung findest du unter folgendem Link:

<https://si.shimano.com/de/error>



Die Missachtung der hier geschilderten Anweisungen und die Nutzung eines Fahrrads, das die hier beschriebenen Probleme aufweist, kann Unfälle und schwere Verletzungen nach sich ziehen.



**ANZUGSDREHMOMENTE.** Überprüfe stets die Anzugsdrehmomente und montiere die Komponenten gemäß der in diesem Handbuch angegebenen Anzugsdrehmomente. Folge den empfohlenen Anzugsdrehmomenten für Komponenten anderer Hersteller, die an deinem Orbea Fahrrad verbaut sind. Die Missachtung dieser Hinweise kann zum Ausfall der Komponenten, Unfällen und zum Tod führen.

## WARTUNGSINTERVALLE

#### WARNUNG

Die im Folgenden für die Komponenten angegebenen Wartungsintervalle dienen der Einordnung und hängen stark von folgenden Faktoren ab: den Wetterbedingungen (widrige Wetterbedingungen können die Lebensdauer der Komponenten und die Wartungsintervalle wesentlich beeinflussen), der Pflege des Fahrrads und seiner Komponenten (Schmutzansammlungen sorgen für verstärkten Verschleiß der Komponenten), Einsatz des Fahrrads (wird das Fahrrad besonders stark beansprucht, verkürzen sich die Wartungsintervalle).

Die empfohlenen oder vorgeschriebenen Wartungsintervalle zu Komponenten anderer Hersteller, die an deinem Orbea Fahrrad verbaut sind, erfährst du auf der Website des Herstellers oder bei dem Händler der jeweiligen Marke in deinem Land.

#### WARNUNG

Die Nichteinhaltung der empfohlenen Wartungsintervalle kann zu Schäden an den Komponenten führen, die nicht über die Gewährleistung von Orbea oder des Komponentenherstellers abgedeckt sind.



Die Nichteinhaltung der Wartungsintervalle kann Schäden an den Komponenten zur Folge haben und zu Funktionsstörungen und Unfällen führen.

#### STEUERSATZ:

- Funktionsprüfung vor jeder Fahrt.
- Manueller Ausbau und Überprüfung der Lager alle sechs Monate, die das Fahrrad genutzt wird.

#### TRETLAGER:

- Funktionsprüfung vor jeder Fahrt.
- Manueller Ausbau und Überprüfung der Lager alle sechs Monate, die das Fahrrad genutzt wird.

#### ANTRIEB:

- Funktionsprüfung vor jeder Fahrt.
- Regelmäßige Überprüfung der Abnutzung der Kette alle 500 Kilometer. Eine über die Herstellerempfehlungen hinaus abgenutzte Kette muss zur Vermeidung von Schäden an den weiteren Antriebskomponenten ausgetauscht werden. Die Missachtung der Herstellerempfehlungen zur Abnutzung der Kette kann dazu führen, dass die weiteren Antriebskomponenten ausgetauscht werden müssen.

#### LAUFRÄDER:

- Funktionsprüfung vor jeder Fahrt.

- Ausbau und manuelle Überprüfung der Lager und aller Bauteile alle vier bis sechs Monate.

#### DÄMPFER UND FEDERGABEL:

- Funktionsprüfung vor jeder Fahrt.
- Überprüfung und komplette Wartung alle 125 Stunden oder jährlich (je nachdem, welcher Fall früher eintritt) durch den autorisierten Händler des Herstellers.

#### VARIOSTÜTZE:

- Funktionsprüfung vor jeder Fahrt.
- Überprüfung und komplette Wartung alle 125 Stunden oder jährlich (je nachdem, welcher Fall früher eintritt) durch den autorisierten Händler des Herstellers.

#### DREHPUNKTE IN RAHMEN VOLLGEFEDERTER FAHRRÄDER:

- Funktionsprüfung vor jeder Fahrt.
- Ausbau und manuelle Überprüfung sämtlicher Lager alle 125 Stunden oder jährlich (je nachdem, welcher Fall früher eintritt). Je nachdem, unter welchen Bedingungen das Fahrrad genutzt wird, können sich diese Zeiträume verkürzen. Starke Beanspruchung des Fahrrads oder der Einsatz unter widrigen Wetterbedingungen oder im Schlamm erfordert den Ausbau und die Überprüfung des Rahmens alle 75 Betriebsstunden oder alle sechs Monate (je nachdem, welcher Fall früher eintritt). Läuft ein Lager nicht sauber oder weist Spiel auf, muss es umgehend ersetzt werden.

#### SCHALTZÜGE UND ZUGHÜLLEN:

- Funktionsprüfung vor jeder Fahrt.
- Je nach Nutzungsbedingungen des Fahrrads Austausch der Schaltzüge alle 6 bis 12 Monate.

#### BREMSEN:

- Funktionsprüfung und Verschleißprüfung der Bremsbeläge bzw. -backen vor jeder Fahrt.
- Überprüfung der Abnutzung der Bremscheiben und der Bremszüge oder Hydraulikleitungen alle 6 bis 12 Monate, je nachdem, unter welchen Bedingungen das Fahrrad genutzt wird. Jährliches Entlüften der Bremsleitungen.

#### ANTRIEBSSYSTEMKOMPONENTEN:

Regelmäßige Überprüfung der Anschlüsse und Kabel von Antriebssystemkomponenten am Fahrrad. Die Anschlüsse müssen sauber und frei von Fremdkörpern sein. Die Kabel müssen in gutem Zustand sein und dürfen keine Schnitte oder Knicke aufweisen, die zu Kurzschlüssen und Ausfall des Antriebssystems führen könnten.

Komponenten wie Remote-Bedieneinheiten und Akkus dürfen keine Schäden am Gehäuse aufweisen, über die Wasser oder Fremdkörper eindringen könnten.

Wende dich bei jedweder Beschädigung der elektrischen Komponenten zwecks Überprüfung und/oder Austausch an deine Orbea Verkaufsstelle.

#### WARNUNG

Hinweise zur ordnungsgemäßen Pflege der entsprechenden Komponenten findest du bei den Warnhinweisen zum elektrischen Unterstützungssystem in diesem Handbuch.

#### UPDATES FÜR DAS ELEKTRISCHE ANTRIEBSSYSTEM:

Für E-Bike-Antriebssysteme kann es Upgrades oder Updates geben, durch die die Funktionsweise des Systems verbessert wird. Einige Updates des Shimano STEPS Systems werden per Bluetooth® ausgeführt, wenn du dein Fahrrad mit der Smartphone-App Shimano Etube Project Cyclist verbindest.

#### WARNUNG

Bei der Durchführung eines Systemupdates per Bluetooth® mit der Smartphone-App Etube Project wird grundsätzlich empfohlen, die Mobilnetz- und WLAN-Verbindung auf dem Handy zu deaktivieren, um eine Unterbrechung des Updates durch eingehende Anrufe oder Nachrichten zu vermeiden. Im Falle einer Unterbrechung des Updates und daraus resultierender Systemstörung bringe dein Fahrrad zu einem autorisierten Orbea Händler, um das Update über das für den Händler konzipierte Interface SM-PCE02 von Shimano durchführen zu lassen.

Hier findest du die Anleitung zur Shimano-App Etube Project Cyclist:

<https://si.shimano.com/de/um/7J4MA>

Weitere Updates müssen gegebenenfalls von einem autorisierten Fachhandel aufgespielt werden. Bitte deinen Händler, das System auf mögliche Updates zu prüfen, wenn du dein E-Bike zur Wartung oder zur Reparatur bringst.



Einige der hier beschriebenen Prüfungen und Wartungsarbeiten übersteigen die Kenntnisse und Fertigkeiten der meisten Radfahrer: innen. Wende dich zur Wartung deines Fahrrads und seiner Komponenten stets an einen Orbea Händler, falls du nicht selbst über die notwendige Qualifikation zur Durchführung der Wartungsarbeiten verfügst. Unsachgemäß durchgeführte Wartungsarbeiten können zu Verletzungen oder Unfällen mit schweren Folgen führen.

#### WARNUNG

Unsachgemäß durchgeführte Wartungsarbeiten können zu Beschädigungen an den Komponenten führen, die nicht durch die Gewährleistung abgedeckt sind.

## ERSATZTEILE

Verwende stets Originalersatzteile von Orbea oder dem Hersteller der entsprechenden Komponenten.



Die Verwendung nicht originaler Ersatzteile kann zu Schäden führen, die Verletzungen oder Unfälle mit schweren Folgen nach sich ziehen können.



Die Montage einiger der in diesem Handbuch beschriebenen Ersatzteile übersteigt die Kenntnisse und Fertigkeiten der meisten Radfahrer:innen. Wende dich zur Montage solcher Teile stets an einen Orbea Händler, falls du nicht selbst die notwendige Qualifikation für diese Wartungsarbeiten besitzt. Eine unsachgemäß durchgeführte Montage der Ersatzteile kann zu Verletzungen oder Unfällen mit schweren Folgen führen.

**WARNUNG**

Die Montage nicht originaler Ersatzteile kann zu Beschädigungen am Fahrrad führen, die nicht durch die Gewährleistung abgedeckt sind.

Den vollständigen Orbea Ersatzteilkatalog findest du auf unserer Website:

[www.orbea.com/gb-en/gear/spare-parts/](http://www.orbea.com/gb-en/gear/spare-parts/)

## NACH EINEM STURZ ODER AUFPRALL

Bei jeder Fahrradfahrt besteht die Gefahr eines Sturzes. Falls du mit deinem Rad einen Unfall hast, musst du zunächst sicherstellen, dass es dir gut geht und dich gegebenenfalls in ärztliche Behandlung begeben. Wenn du dich nicht verletzt hast, musst du den Zustand deines Fahrrads überprüfen, bevor du deine Fahrt fortsetzt.

### UNTERSUCHE DEN RAHMEN UND DIE KOMPONENTEN DEINES FAHRRADS AUF SCHÄDEN

Setze deine Fahrt nicht fort, falls du eine Beschädigung feststellst.

#### ZU ÜBERPRÜFENDE ELEMENTE

Untersuche, ob Rahmen oder Gabel gebrochen oder verbogen sind. Solltest du einen Bruch oder einen Riss finden, darfst du das Fahrrad nicht weiter benutzen. Prüfe Carbonrahmen auf Risse oder weiche Stellen im Carbon. Wenn du solche Schäden feststellst, darfst du das Fahrrad nicht weiter benutzen.



Rahmen und Gabeln aus Carbon sind besonders steif und belastbar. Bei Überlastung oder Stößen auf das Material verbiegen sich die Carbonfasern jedoch nicht, sondern brechen. Bei ausreichend starken Stößen kann es zu Schäden am Material kommen, die nicht sofort erkennbar sind, aber in der Folge zu Materialversagen führen können. Bei Zweifeln über den Zustand des Materials nach einem Sturz oder Unfall wende dich an deinen Orbea Händler und lasse das Material sachgerecht untersuchen.

Überprüfe die Schaltung und die Laufräder und stelle sicher, dass sie ordnungsgemäß funktionieren. Fahre auf keinen Fall weiter, falls du eine Beschädigung dieser Komponenten erkennen solltest.

Auch wenn du keinerlei Beschädigungen feststellen kannst, achte auf deiner weiteren Fahrt sehr genau auf ungewöhnliche Geräusche deines Fahrrads. Diese könnten auf Schäden oder sonstige Probleme hinweisen. Fahre auf keinen Fall weiter, falls du solch ungewöhnliche Geräusche feststellen solltest. Kontaktiere deinen Orbea Händler, damit er eine entsprechende Überprüfung vornehmen kann.

### BRINGE DEIN FAHRRAD ZU EINEM AUTORISIERTEN HÄNDLER, UM EINE PROFESSIONELLE INSPEKTION DURCHFÜHREN ZU LASSEN

Manche Folgen eines Sturzes oder Unfalls lassen sich nur erkennen, wenn das Fahrrad vollständig auseinanderggebaut und auf Risse oder andere Anzeichen einer Beschädigung untersucht wird.



Ein Sturz oder Schlag kann Ihr Fahrrad oder einzelne Komponenten stark beschädigen und zu Materialversagen oder vorzeitigem Verschleiß führen. Ein Materialversagen kann plötzlich und ohne Vorzeichen auftreten und den Kontrollverlust über das Fahrrad, schwere oder sogar tödliche Verletzungen nach sich ziehen.



# 05 WARNHINWEISE ZUM GEBRAUCH DES RISE

## MAXIMALE REIFENBREITE

Dieses technische Handbuch führt die maximalen Maße der Reifen auf, die in diesem Rahmen montiert werden dürfen. Diese Angaben sind bei der Montage eines Reifens an deinem Fahrrad unbedingt zu beachten.

Informationen zu den maximal zulässigen Reifenmaßen findest du in der Tabelle „Technische Daten“ in diesem Handbuch.

Die Außenmaße unterschiedlicher Reifen können unabhängig von den vom Hersteller angegebenen Maßen Schwankungen unterliegen. Der radiale Abstand zwischen dem äußersten Punkt des Reifens und dem Sitzrohr sowie der Unterseite der Sitzstreben muss mindestens 6 mm betragen. Der radiale Abstand zwischen dem äußersten Punkt des Reifens und der Unterseite der Gabelbrücke sowie den Gabeltauchrohren muss mindestens 6 bis 8 mm betragen.

Überprüfe auch die maximale und minimale Reifenbreite, die je nach Felgeninnenbreite auf der Felge montiert werden kann. Informationen zur Kompatibilität sind in der Dokumentation des Laufradherstellers zu finden.

### WARNUNG

Schäden am Rahmen oder an Komponenten, die auf den Einsatz eines Reifens zurückzuführen sind, der nicht den beschriebenen Abmessungen entspricht, sind nicht durch die Gewährleistung abgedeckt.

## MINDESTSCHUBTIEFE DER SATTELSTÜTZE



Immer die Angaben zur Mindestschubtiefe beachten, die für Sattelstütze oder Rahmen bei Rennrädern mit Orbea-exklusiven Sattelstützen vorgegeben sind.

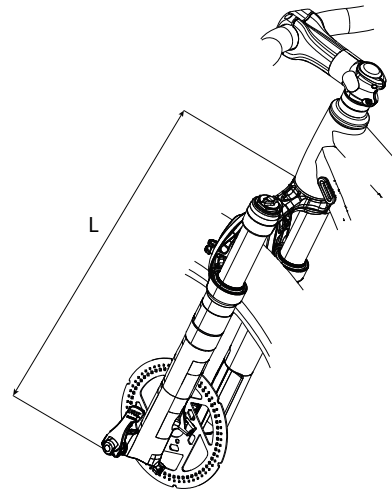
Die Missachtung dieser Angaben kann zu übermäßiger Materialbelastung und dadurch zu Materialversagen führen, das nicht durch die Gewährleistung abgedeckt ist und Unfälle mit schweren Verletzungen nach sich ziehen kann.

## MAXIMALE LÄNGE DER GABEL (ACHSE BIS KRONE)

Beachte immer die Angaben zur maximalen Länge der Gabel, die im Abschnitt „Technische Daten“ in diesem Handbuch aufgeführt werden. Die maximale Länge der Gabel bezieht sich auf den Abstand zwischen der Achse der Gabel und der Unterseite des Steuerrohrs (Achse bis Krone).



Die Missachtung dieser Anforderungen und der Einbau von Gabeln, die länger sind als maximal zugelassen, kann zu übermäßiger Belastung des Rahmens führen. Dies kann Materialversagen zur Folge haben, welches Unfälle und schwere Verletzungen nach sich ziehen kann.



## MAXIMALE ANZAHL DER STEUERSATZ-SPACER



Verwende niemals mehr als die für deinen Rahmen angegebenen Steuersatzspacer unter dem Vorbau. In der Spezifikationstabelle erfährst du, wie viele Steuersatzspacer bzw. welchen Stack der Orbea Rahmen maximal erlaubt. Der Einsatz von mehr als den maximal erlaubten Spacern kann das Material übermäßig belasten und dadurch zu Unfällen und schweren Verletzungen führen.

Auch die in der Spezifikationstabelle angegebene maximale Anzahl der unter dem Vorbau montierbaren Spacer muss beachtet werden.



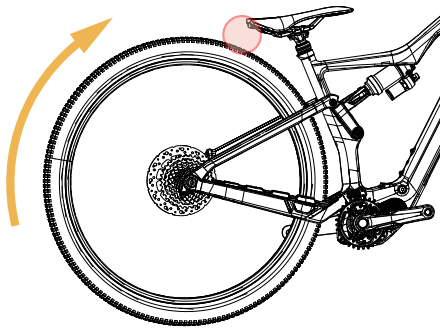
Dabei muss die Länge des Gabelschafts grundsätzlich für die Vorbauhöhe passend sein. Der Vorbau muss immer so am Gabelschaft montiert werden, dass beide Schrauben auf der Rückseite des Vorbaus den Gabelschaft klemmen. Montiere den Vorbau niemals so, dass sich die obere Klemmschraube des Vorbaus oberhalb der Oberkante des Gabelschaftrohrs befindet. Dies beansprucht das Material über die vorgesehenen Belastungsgrenzen, was zu Unfällen und schweren Verletzungen führen kann.

Für die korrekte Einstellbarkeit des Steuersatzes muss der Abstand zwischen der Gabelschaftoberkante und der Montagefläche des Steuersatzdeckels mindestens 3 mm betragen.

## MINDESTABSTAND ZWISCHEN LAUFRAD UND SATTEL BEI VOLLER EINFEDERUNG



Der Mindestabstand zwischen der Sattlrückseite und dem Hinterrad muss mindestens 25 mm betragen, wenn der Hinterbau maximal eingefedert ist und die Sattelstütze sich in ihrer niedrigsten Position befindet. Wird dieser Abstand nicht eingehalten, kann es passieren, dass das Hinterrad den Sattel berührt. Dadurch kann das Hinterrad blockieren, was Unfälle und schwere Verletzungen nach sich ziehen kann. Bei Nichtbeachtung dieser Vorgabe können Schäden an den Komponenten entstehen, die nicht durch die Gewährleistungsbedingungen abgedeckt sind.



## VORGESEHENER EINSATZZWECK

Der vorgesehene Einsatz für alle Modelle ist ASTM Level 4, welcher die Verwendung unter den in Level 1, 2 und 3 zugelassenen Bedingungen umfasst sowie den Einsatz auf technischen, rauen Trails mit vielen Hindernissen, starkem Gefälle und damit auch höheren Geschwindigkeiten. Häufige und moderate Sprünge und Drops.

Diese Modelle müssen aufgrund des Geländes nach jeder Fahrt überprüft werden. Eine Nutzung in solchem Gelände setzt hohes Fahrkönnen voraus und kann bei Anfängern zu Verletzungen führen.

Eine Beschreibung aller ASTM Level findest du in der Bedienungsanleitung.



# 06 WARNHINWEISE ZUM GEBRAUCH DES ELEKTRISCHEN UNTERSTÜTZUNGSSYSTEMS

## BEFOLGE STETS DIE ANWENDUNGSEMPFEHLUNGEN ZU DEN ELEKTRISCHEN KOMPONENTEN UND AKKUS.

### WARNUNG

Im Abschnitt „Wichtige Informationen zu den Orbea Akkus“ findest du nützliche Informationen zu Gebrauch, Pflege und Problembehebung rund um den integrierten Akku und den Range Extender.



Verwende keine (Shimano- oder Orbea-fremden) Drittanbietersysteme, um die Unterstützungsparameter des elektrischen Antriebssystems zu verändern oder zu begrenzen. Dies kann die Komponenten des Fahrrads (mechanische Komponenten und elektrisches Unterstützungssystem) beschädigen und zu Unfällen und zum Tod führen. Außerdem kann es Brandgefahr verursachen. Veränderungen, die nicht autorisiert oder in der Herstellerdokumentation aufgeführt sind, können zum Erlöschen der Gewährleistung für alle Komponenten führen.

- Das Fahrrad nicht mit einem Hochdruckreiniger reinigen und weder das Fahrrad noch die elektrischen Komponenten in Wasser eintauchen. Alle elektrischen Komponenten sind vor Spritzern und Regen geschützt. Durch hohen Wasserdruck können jedoch Komponenten beschädigt und Kurzschlüsse ausgelöst werden.
- Bei extrem widrigen Witterungsverhältnissen sollte das Fahrrad nicht genutzt werden. Alle elektrischen Komponenten sind vor Spritzern und Regen geschützt. Bei sehr schlechtem Wetter können die Komponenten jedoch Schaden nehmen.
- Das Fahrrad sollte bei Regen nicht außen am Fahrzeug transportiert werden. Alle elektrischen Komponenten sind vor Spritzern und Regen geschützt. Durch die Fahrgeschwindigkeit des Fahrzeugs kann sich die schädliche Wirkung des Regens auf die elektrischen Komponenten jedoch noch verstärken.

Wird das Fahrrad auf dem Fahrradträger am Auto transportiert, sollte der Range Extender vom Fahrrad entfernt und der ordnungsgemäße Verschluss der Ladebuchse überprüft werden.

- Das Fahrrad oder den Akku nicht über längere Zeit hohen Temperaturen aussetzen. Durch hohe Temperaturen können die elektrischen Komponenten Schaden nehmen. Temperaturen über 70 °C können zu Flüssigkeitsaustritten und Brandgefahr führen.

- Beachte die Temperaturbereiche für den Betrieb (Entladung), das Aufladen und die Aufbewahrung des integrierten Akkus sowie des Range Extenders. Werden die Akkus außerhalb dieser Temperaturbereiche verwendet, aufgeladen oder aufbewahrt, können die Zellen beschädigt werden, wodurch sich die Lebensdauer und Reichweite verkürzen.
- Die folgende Temperaturtabelle zeigt die vom Hersteller der Akkuzellen angegebenen Obergrenzen in Bezug auf Betrieb, Aufladen und Aufbewahrung.

Generell **verkürzen der Betrieb, das Aufladen und die Aufbewahrung der Akkus bei Temperaturen unter 0 °C die Reichweite pro Ladezyklus und können langfristig die Akkulebensdauer beeinträchtigen.**

### TEMPERATURBEREICHE

Aufladen	0 °C–40 °C
Entladen (Betrieb)	-10 °C — 40 °C
Aufbewahrung	0 °C – 35 °C. Luftfeuchtigkeit 5 % - 65 %

- Das Fahrrad (mit integriertem Akku) sowie Range Extender nicht über längere Zeit lagern, ohne dabei den Akkuladestand zu kontrollieren.

Wird der Akku längere Zeit nicht genutzt, lade ihn vor der Aufbewahrung auf etwa 50 % seiner Kapazität auf. Überprüfe alle drei Monate den Ladestand und lade ihn ggf. wieder auf 50 % auf. Lasse den Ladestand niemals unter 10 % sinken, damit die Zellen nicht beschädigt werden.

### NUTZUNG DES AKKUS BEI EINEM LADESTAND UNTER 10 %:

Vermeide eine vollständige Entladung des Akkus durch Dauereinsatz bei einem Ladestand unter 10 %. Ein Ladestand unter 10 % kann die Lebensdauer der Zellen und den Ladungsausgleich beeinträchtigen.

- Das Ladegerät sollte nicht über längere Zeit ununterbrochen an den Akku angeschlossen bleiben. Zudem sollte der Ladevorgang beaufsichtigt werden, damit das Ladegerät bei Feststellung von Störungen wie Rauchentwicklung, Brandgeruch oder Feuer abgetrennt werden kann.

Der RS Smart Charger ist so konzipiert, dass der Ladevorgang beendet wird, sobald der Akku vollständig aufgeladen ist. Dadurch werden die Akkuzellen vor Beschädigung geschützt und der Akku kann bedenkenlos aufgeladen werden. Es wird jedoch empfohlen, den Ladevorgang zu überwachen, um Schäden im Falle einer Funktionsstörung des Ladegeräts zu vermeiden.

- Vermeide Stöße und Stürze auf den internen Akku und den Range Extender.

Wenn das Akkugehäuse nach einem Unfall oder einer Erschütterung beschädigt scheint, darf der Akku nicht aufgeladen oder verwendet werden. Wende dich an einen autorisierten Fachhandel, um eine Akkudiagnose durchführen zu lassen.

- Schließe Kabel immer richtig herum an. Werden Kabel verkehrt herum eingesteckt, können die Anschlüsse beschädigt werden.

- Vergewissere dich vor jeder Benutzung, dass die Ladebuchse richtig verschlossen ist, damit weder Schmutz noch Wasser eindringen können.

Verwende keine metallischen Werkzeuge zum Entfernen von Schmutz oder Fremdkörpern aus der Ladebuchse.

Die Anschlüsse der Ladebuchse dürfen bei der Reinigung nicht beschädigt werden.

#### WARNUNG

Im Abschnitt „Wichtige Informationen zu den Orbea Akkus“ findest du nützliche Informationen zu Gebrauch, Pflege und Problembehebung rund um den integrierten Akku und den Range Extender.

Die Shimano Begleitdokumentation zum STEPS EP801/EP6 System und seinen Komponenten findest du hier:

Bedienungsanleitung:

<https://si.shimano.com/de/um/7K70A>

Händlerhandbuch:

<https://si.shimano.com/de/dm/DUE001>

## WEITERE WICHTIGE INFORMATIONEN ZU ORBEA EBIKE SYSTEM LI-IONEN-AKKUS



Lies zu deiner eigenen Sicherheit das Benutzerhandbuch vollständig durch, bevor du die Orbea E-Bike System Akkus und das Ladegerät benutzt.



Nimm Kontakt zu Orbea oder einem autorisierten Händler auf, wenn du Informationen zum Einbau oder zur Einstellung von Produkten benötigst, die nicht im Benutzerhandbuch aufgeführt sind. Halte dich stets an die folgenden Hinweise, um Verletzungen sowie Schäden an Ausrüstung und Umgebung zu vermeiden. Die folgenden Informationen gelten sowohl für den integrierten Akku als auch für den Range Extender.

### HINWEIS ZUR KOMPATIBILITÄT. KOMPONENTEN DES GEN2 ELEKTRISCHEN ANTRIEBSSYSTEMS

Die Orbea Ebike Systems Gen2 Komponenten sind auf Kompatibilität mit Gen 2- und EP801-Motoren von Shimano sowie EP6-Komponenten von Shimano ausgelegt. Sowohl die integrierten Akkus als auch der Range Extender und der Smart Charger sind mit dem Gen2-Zeichen gekennzeichnet, um ihre Kompatibilität mit diesen Systemen anzuzeigen.

### SICHERHEITS- UND WARNHINWEISE ZU DEN AKKUS

- Verwende ausschließlich das spezielle Gen2-Ladegerät und befolge die Hinweise zum Aufladen des Akkus. Andernfalls könnte es zur Überhitzung, Explosion oder Entzündung des Akkus kommen.
- Den Akku fern von Hitzequellen wie Heizungen, Autos oder sonstigen gefährlichen Orten halten.
- Den Akku nicht erhitzen oder ins Feuer werfen.
- Den Akku nicht verformen, verändern, auseinanderbauen oder Lötzinn darauf aufbringen.
- Die Anschlüsse (+) und (-) sowie andere Anschlüsse nicht mit metallischen Gegenständen in Berührung bringen. Den Akku nicht gemeinsam mit metallischen Gegenständen wie Halsketten oder Haarspangen transportieren oder aufbewahren. Dadurch kann es zu Kurzschlüssen, Überhitzung, Verbrennungen und anderen Verletzungen kommen.
- Den Akku nicht in Wasser eintauchen und die Anschlüsse frei von Feuchtigkeit halten. Andernfalls könnte es zur Überhitzung, Explosion oder Entzündung des Akkus kommen.
- Den Akku nicht quetschen oder durchstechen.
- Sollte der Akku undicht sein und Batterieflüssigkeit mit Augen, Haut oder Kleidung in Kontakt kommen, die betroffenen Stellen sofort mit reichlich frischem Wasser ausspülen und unverzüglich einen Arzt aufsuchen. Die Batterieflüssigkeit kann Augen und Haut schädigen.
- Sollte der Akku sich innerhalb der vorgesehenen Ladezeit (siehe den Abschnitt zu den technischen Daten der elektrischen Antriebssystemkomponenten) plus 2 weiteren Stunden nicht voll aufladen, trenne den Akku vom Ladegerät und nimm unverzüglich Kontakt mit einem autorisierten Händler auf.
- Den Akku nicht benutzen, wenn er sichtlich beschädigt ist.
- Den Akku nicht benutzen, wenn Flüssigkeit austritt oder er verfärbt oder verformt ist oder sonstige ungewöhnliche Merkmale aufweist.
- Den Akku nicht unter freiem Himmel oder in einer nassen Umgebung oder bei hoher Luftfeuchtigkeit aufladen.
- Den Akku nicht anschließen oder abtrennen, wenn er feucht ist. Es besteht Stromschlaggefahr. Bei austretender Feuchtigkeit aus der Steckdose diese vor dem Einstecken gut trocknen.
- Den Akku nicht an Orten mit direkter Sonneneinstrahlung oder großer Hitze aufbewahren (zum Beispiel im Inneren eines Autos). Halte ihn von Hitze und Flammen fern. Ansonsten könnte Flüssigkeit aus dem Akku austreten.
- Halte den Akku stets mit beiden Händen, um Gefahren und Verletzungen zu vermeiden.
- Sollte während des Entladens oder Aufladens ein Fehler auftreten, ist die Verwendung des Akkus sofort einzustellen und das Handbuch zu Rate zu ziehen. Setze dich im Zweifelsfall mit Orbea oder einem autorisierten Händler in Verbindung.

- Den Akku nicht mit einem Hochdruckreiniger reinigen.
- Den Akku oder das Ladegerät nicht mit Alkohol, Lösungsmitteln oder Scheuermitteln reinigen. Verwende zur Reinigung ein trockenes oder leicht angefeuchtetes Tuch.
- Kinder nicht unbeaufsichtigt lassen, um sicherzustellen, dass sie nicht mit Akku und Ladegerät spielen.
- Bei einer Explosion des Akkus sofort die Feuerwehr benachrichtigen und wenn möglich vorsichtig weitere Akkus entfernen. Sofort alle Personen aus dem Brandbereich evakuieren und den Brand mit reichlich kaltem Wasser (mindestens dem 10-fachen des Gewichts des Akkus) löschen.

### **BEDINGUNGEN FÜR DIE AKKUAUFBEWAHRUNG**

- Bewahre die Akkus an einem sicheren und für Kleinkinder und Haustiere nicht zugänglichen Ort auf.
- Die Aufbewahrung von Akkus außerhalb dieses Temperaturbereichs kann dazu führen, dass sie in Brand geraten oder beschädigt werden.
- **Temperaturbereich für die Aufbewahrung: 0 °C - 35 °C. Vermeide starke Temperaturschwankungen. Luftfeuchtigkeit: 5 % - 65 %.**
- Wird der Akku für längere Zeit nicht genutzt, bewahre ihn bei einem Ladestand von etwa 50 % auf. Lade den Akku alle drei Monate auf 50 % auf, damit er nicht Schaden nimmt.
- Bewahre den Akku beziehungsweise das Fahrrad mit dem montierten Akku an einem kühlen, geschützten Ort (etwa 0 °C - 35 °C) auf, an dem sie weder direktem Sonnenlicht noch Regen ausgesetzt sind. Wird der Akku unter zu kalten oder zu heißen Umgebungstemperaturen aufbewahrt, sinkt die Akkuleistung. Dadurch kann sich die Reichweite pro Akkuladung verringern. Wurde der Akku über einen längeren Zeitraum nicht genutzt, sollte er vor dem Gebrauch aufgeladen werden.
- Temperaturen über 70 °C können zu Flüssigkeitsaustritten und Brandgefahr führen.

### **BEDINGUNGEN FÜR DIE AKKUNUTZUNG**

- Der Temperaturbereich für die Nutzung des Akkus ist nachfolgend angeführt. Verwende den Akku nicht außerhalb dieses Temperaturbereichs.
- Bei Verwendung des Akkus außerhalb dieses Temperaturbereichs besteht Brand-, Verletzungs- und Schadensgefahr.
- **Nutzung (Entladung) des Akkus ausschließlich in einem Temperaturbereich von: -10 °C – 40 °C.**
- **Aufladen des Akkus ausschließlich in einem Temperaturbereich von: 0 °C – 40 °C.**
- Der Akku soll bei Raumtemperatur auf einem trockenen, nicht entzündlichen Untergrund und fern von Hitzequellen, Feuchtigkeit oder entzündlichen Materialien aufgeladen werden.
- Das Aufladen des Akkus bei einer niedrigen Umgebungstemperatur (0 °C oder weniger) verkürzt die pro vollständiger Aufladung verfügbare Reichweite.

- Beachte für den Fall, dass der Akku transportiert werden soll, dass er nach geltenden Vorschriften als Gefahrgut betrachtet wird. Verwende entsprechend zugelassene Verpackungen und Transportunternehmen.

### **BEDINGUNGEN FÜR DIE AKKUMONTAGE**

- Der Akku sollte nicht unmittelbar nach dem Erhalt des Akkus bzw. des Fahrrads verwendet werden. Vor der ersten Nutzung darauf achten, dass der Akku vollständig aufgeladen ist.
- Den Akku und/oder das Fahrrad immer ausschalten, bevor der Akku am Fahrrad eingesetzt oder ausgebaut wird.

### **BEDINGUNGEN UND SICHERHEITSHINWEISE FÜR DAS AUFLADEN**

- Zum Zeitpunkt des Kaufs ist der Akku nicht komplett aufgeladen. Achte darauf, dass du den Akku vor dem Fahren vollständig auflädst.
- Nutze zum Aufladen ausschließlich das originale Gen2-Ladegerät.
- Schalte das Fahrrad bzw. den Akku stets aus, bevor du das Ladegerät mit der Ladebuchse verbindest oder davon trennst.
- Stelle sicher, dass die Ladebuchse am Fahrrad sowie die Stecker sauber und trocken sind, bevor du das Ladegerät anschließt.
- Das Ladegerät nicht verwenden, wenn du eine Beschädigung vermutest oder weißt, dass es defekt ist.
- Das Ladegerät nicht zerlegen oder modifizieren.
- Die Ladebuchsenabdeckung stets verschlossen halten, wenn der Akku nicht geladen wird.
- Keine metallischen Gegenstände in die Ladebuchse des Akkus einführen.
- Das Ladegerät von Nässe fernhalten und nicht verwenden, falls es feucht sein sollte. Das Ladegerät nicht mit feuchten Händen tragen oder halten – es besteht Stromschlaggefahr.
- Das Ladegerät nicht verwenden, wenn es von einem Tuch oder anderem Material bedeckt wird.
- Die metallischen Teile der Akkus oder des Ladegeräts nicht berühren, um einen Stromschlag zu vermeiden.
- Das Ladegerät nicht zum Laden des Akkus unter freiem Himmel oder in Umgebungen mit hoher Luftfeuchtigkeit verwenden und weder Wind noch Regen aussetzen.
- Das Ladegerät nicht zum Tragen am Kabel festhalten oder das Kabel zur Aufbewahrung um das Ladegerät wickeln, um Beschädigungen am Kabel zu vermeiden.
- Während des Ladevorgangs nicht pedalieren oder den Akku auf sonstige Weise entladen.
- Den Range Extender stets entfernen, bevor das Fahrrad mit Wasser oder anderen Flüssigkeiten gereinigt wird.
- Den Akku eine Stunde lang abkühlen lassen, wenn er nach der Nutzung wieder aufgeladen werden soll. Ansonsten könnte die Temperatur des Akkus zu hoch sein.

- Es wird empfohlen, den Akku in einem mit einem Rauchmelder ausgestatteten Raum aufzuladen.
- Um Beschädigungen des Akkus im Falle einer Funktionsstörung der Ladeabschaltung zu vermeiden, wird vom dauerhaften Anschließen des Akkus an das Ladegerät abgeraten.

## RECYCLING

- Akkus, Zubehör und Verpackungen sollten einem umweltgerechten Recycling zugeführt werden.
- Lithium-Ionen-Akkus sind eine wertvolle und recyclebare Ressource. Für Informationen zu Alt-Akkus beachte die in deinem Land geltenden Vorschriften. Setze dich im Zweifelsfall mit Orbea oder einem autorisierten Händler in Verbindung.
- Den Akku nicht im Hausmüll entsorgen. Er wird von der Verkaufsstelle zurückgenommen und ordnungsgemäß entsorgt.

## GEWÄHRLEISTUNGS AUSSCHLUSS

- Lade den Akku mindestens alle drei Monate bis zu etwa 50 % seiner Gesamtkapazität auf, auch wenn das Fahrrad nicht in Gebrauch ist.
- Die Gewährleistung erstreckt sich nicht auf den natürlichen Verschleiß und Abnutzung durch den normalen Gebrauch und Alterung.
- Die Lebensdauer des Akkus hängt von Faktoren wie der richtigen Aufbewahrung, Nutzung, Umgebung sowie den Eigenschaften eines jeden Akkus ab.
- Lade den Akku bei vollständiger Entladung schnellstmöglich wieder auf. Ansonsten könnte er Schaden nehmen und unbrauchbar werden.
- Das Zerlegen des Akkus oder zugehöriger Teile einschließlich dem Entfernen des Etiketts kann zum Verlust der Gewährleistung führen.
- Lies den Abschnitt zum Thema Garantie und Gewährleistung in diesem Handbuch, um mehr zur Gewährleistung für Orbea Produkte und zur Inanspruchnahme zu erfahren.

## REICHWEITE

Die Shimano Motoren EP600 und EP801 sowie die Orbea E-Bike-System-Akkus wurden so ausgelegt, dass sie die bei einem System mit derart reduziertem Gewicht und geringer Baugröße maximal mögliche Reichweite bieten.

Die verfügbare Reichweite pro Akkuladung hängt stark von verschiedenen Faktoren ab, wie zum Beispiel:

- **Unterstützungsstufe:** Bei Nutzung höherer Unterstützungsstufen verringert sich die verfügbare Reichweite.
- **Unterstützungsprofil:** Je nach dem über die Shimano Etube Project App ausgewählten Unterstützungsprofil variiert die verfügbare Reichweite. So hebt die Wahl des Unterstützungsprofils 2 die Leistung aller Unterstützungsmodi an und reduziert entsprechend die Reichweite.

- **Anpassung von Unterstützungsstufen:** Die ungefähren Reichweitenangaben beruhen auf den für jede Unterstützungsstufe ab Werk von Orbea vorgenommenen Original-einstellungen. Wird die Unterstützungsleistung der verschiedenen Modi über die Shimano Etube Project App angepasst, hat dies Einfluss auf die letztendlich erzielte Akkureichweite.
- **Temperatur:** Wird der Akku bei niedrigen Temperaturen aufgeladen und genutzt, verkürzt sich die Reichweite pro Akkuladung.
- **Gewicht von Fahrer:in sowie Ausrüstung/Gepäck.**
- **Erbrachte Pedalierleistung.**
- **Gelände und Steigungen:** Die Nutzung auf unebenem Gelände und bergauf verringert die verfügbare Reichweite pro Akkuladung.
- Häufiges Anhalten und Anfahren kann Einfluss auf die verfügbare Reichweite haben.

## TRANSPORT VON E-BIKE-AKKUS

Der Transport des integrierten Orbea Akkus sowie des externen Range Extender Akkus muss unter Einhaltung der geltenden Vorschriften und mit den für diese Güter zugelassenen Transportmitteln erfolgen. Die Akkus müssen immer in der dafür vorgesehenen Originalverpackung und von einem anerkannten Spediteur transportiert oder verschickt werden. Informiere dich über die Handhabungs- und Transportbedingungen für diese Art von Gütern in deinem Land.

Wenn der Range Extender oder der integrierte Akku zur Reparatur oder Diagnose an Orbea geschickt werden soll, muss dies in der zugelassenen Originalverpackung mit einem auf den Akkutransport spezialisierten Spediteur geschehen. Orbea kann dich über die beste Option informieren.

Wenn du für den Transport ein die Orbea Akkus betreffendes Materialsicherheitsdatenblatt (MSDS) benötigst oder das Transportunternehmen dieses Dokument verlangt, kontaktiere Orbea, damit wir es dir zukommen lassen können.

## TRANSPORT VON E-BIKES

Wenn du planst, mit deinem E-Bike zu reisen, informiere dich über die Beförderungsbedingungen für Akkus oder Elektrofahräder mit eingebautem Akku der Fluggesellschaft, mit der du dein Fahrrad transportieren willst. Die meisten kommerziellen Fluggesellschaften verbieten den Transport von Akkus mit einer Kapazität von mehr als 100 Wh.

Wenn du für den Transport ein die Orbea Akkus betreffendes Materialsicherheitsdatenblatt (MSDS) benötigst oder das Transportunternehmen dieses Dokument verlangt, kontaktiere Orbea, damit wir es dir zukommen lassen können.



## ERGONOMIE

Durch das Steep and Deep-Sitzrohr können bei allen Rahmengrößen Variostützen mit viel Hub verwendet werden. Dadurch hast du eine breitere Auswahl an Rahmengrößen und kannst dir sicher sein, dass die Sitzhöhe immer passt (siehe hierzu die Tabelle mit den maximalen und minimalen Höhen von Variostützen in diesem Abschnitt).

Ein Rahmen mit einem kürzeren Reach ist wendiger und manövrierfähiger, während ein Rahmen mit einem längeren Reach bei hohen Geschwindigkeiten stabiler ist. Wähle die Größe, die deinen Bedürfnissen am besten entspricht.

RIDER HEIGHT	155	160	165	170	175	180	185	190	195	200	205	
S	■											
M		■										
L			■									
XL				■								

Fast
Balanced
Nimble

\* Die Maße in der Ergonomietabelle dienen nur zur Orientierung. Am besten probierst du das Fahrrad bei einem unserer autorisierten Händler aus, um die passende Rahmengröße zu finden.

## MAXIMALE UND MINIMALE SITZHÖHE BEI VARIOSTÜTZEN

In der folgenden Tabelle wird die maximale und minimale Sitzhöhe (in Millimetern) bei ausgefahrener Variostütze für die einzelnen Rahmengrößen angegeben.

Die maximale Sitzhöhe bezieht sich auf die Höhe des Sattels bei Montage der Sattelstütze mit der von der Sattelstütze vorgegebenen minimalen Einschubtiefe.

Die minimale Sitzhöhe bezieht sich auf die Höhe des Sattels bei Montage der Sattelstütze mit der vom Rahmen vorgegebenen maximalen Einschubtiefe.

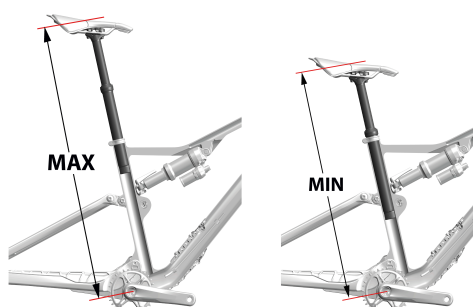
Die maximale und die minimale Sitzhöhe werden nur für die von Orbea bei einem bestimmten Rahmen montierten Kombinationen aus Variostütze und Sattel angegeben. Für Angaben zu den entsprechenden Maßen bei Verwendung anderer Sattelstützen siehe die Herstellerangaben zur Sattelstütze sowie die vorgegebenen Maße für die Einschubtiefen am Rahmen in den technischen Daten dieses Handbuchs.

### WARNUNG

Die Maße in der folgenden Tabelle geben den Abstand zwischen dem Mittelpunkt des Tretlagergehäuses und dem Mittelpunkt der Satteloberkante an (von Orbea montierte Sattelmodelle).

Bei anderen handelsüblichen Sätteln können diese Maße um bis zu +/- 5 mm je nach Bauhöhe des Sattelmodells abweichen. Abweichungen der Sitzhöhe von den gegebenen Maßen im Bereich unterhalb von 5 mm können durch die Wahl eines anderen handelsüblichen Sattels ausgeglichen werden.

Abweichungen der Sitzhöhe von den gegebenen Maßen im Bereich oberhalb von 5 mm sollten durch eine Sattelstütze mit kürzerem oder längerem Hub ausgeglichen werden.





## RAHMEN/GRÖSSE

VARIOSTÜTZEN-MODELL	SITZHÖHE AUSGEZOGEN	RISE H (S)	RISE H (M)	RISE H (L)	RISE H (XL)
OC DP-MC21 31,6 x 390 mm 125 mm Hub	Maximale Sitzhöhe (mm)	760*	770*	780*	815*
	Minimale Sitzhöhe (mm)	630*	640*	650*	685*
OC DP-MC21 31,6 x 440 mm 150 mm Hub	Maximale Sitzhöhe (mm)	805*	820*	830*	860*
	Minimale Sitzhöhe (mm)	655*	670*	675*	710*
OC DP-MC21 31,6 x 480 mm 170 mm Hub	Maximale Sitzhöhe (mm)	850*	865*	870*	905*
	Minimale Sitzhöhe (mm)	675*	690*	695*	730*
OC DP-MC21 31,6 x 550 mm 200 mm Hub	Maximale Sitzhöhe (mm)	885*	900*	820*	940*
	Minimale Sitzhöhe (mm)	720*	715*	725*	755*
OC DP-MC21 31,6 x 610 mm 230 mm Hub	Maximale Sitzhöhe (mm)	900*	910*	850*	955*
	Minimale Sitzhöhe (mm)	780*	775*	770*	790*
Fox Transfer SL 31,6 x 455 mm 125 mm Hub	Maximale Sitzhöhe (mm)	825*	840*	850*	885*
	Minimale Sitzhöhe (mm)	635*	645*	660*	690*
Fox Transfer SL 31,6 x 363 mm 125 mm Hub	Maximale Sitzhöhe (mm)	720*	730*	740*	775*
	Minimale Sitzhöhe (mm)	620*	630*	645*	675*
Fox Transfer 31,6 x 418 mm 150 mm Hub	Maximale Sitzhöhe (mm)	770*	785*	795*	825*
	Minimale Sitzhöhe (mm)	640*	655*	665*	700*
Fox Transfer SL 31,6 x 475 mm 175 mm Hub	Maximale Sitzhöhe (mm)	830*	845*	850*	885*
	Minimale Sitzhöhe (mm)	670*	685*	690*	725*
Fox Transfer 31,6 x 530,7 mm 200 mm Hub	Maximale Sitzhöhe (mm)	835*	850*	855*	890*
	Minimale Sitzhöhe (mm)	715*	710*	715*	750*
Fox Transfer 2025 31,6 x 411 mm – 150 mm Hub	Maximale Sitzhöhe (mm)	765*	775*	790*	820*
	Minimale Sitzhöhe (mm)	645*	655*	670*	700*
Fox Transfer 2025 31,6 x 476 mm – 180 mm Hub	Maximale Sitzhöhe (mm)	830*	840*	855*	885*
	Minimale Sitzhöhe (mm)	670*	680*	695*	730*
Fox Transfer 2025 31,6 x 541 – 210 mm Hub	Maximale Sitzhöhe (mm)	895*	905*	920*	950*
	Minimale Sitzhöhe (mm)	735	735	735	760*
Fox Transfer 2025 31,6 x 611 – 230 mm Hub	Maximale Sitzhöhe (mm)	965*	975*	995*	1020*
	Minimale Sitzhöhe (mm)	805*	805*	785*	805*

\* Die Maße können je nach Bauhöhe des Sattelmodells um +/-5 mm abweichen.

## TECHNISCHE DATEN DES RAHMENS

	RISE H SL	RISE LT
<b>MATERIAL</b>		
Hauptrahmen	Hydrogeformtes Aluminium, zwei- und dreifach konifiziert	
Hinterbau	Hydrogeformtes Aluminium, zwei- und dreifach konifiziert	
Dämpferwippe	Aluminium	
Dämpferverlängerung	Aluminium	Aluminium
<b>EMPFOHLENER EINSATZ</b>		
Trail, All Mountain. ASTM Level 4		
<b>ERHÄLTICHE GRÖSSEN</b>		
S, M, L, XL		
<b>FAHRWERKSSYSTEM</b>		
Orbea Concentric Boost 2 Pivot		
<b>ATTITUDE ADJUST</b>		
	Nein	Ja. Low-High Flip Chip Dämpferverlängerung
<b>FEDERWEG DER GABEL</b>		
	140 mm	160 mm
<b>MAXIMALE LÄNGE DER GABEL (ACHSE BIS KRONE)</b>		
	575 mm	
<b>GABELVORLAUF</b>		
	44 mm	
<b>HINTERER FEDERWEG</b>		
	140 mm	150 mm
<b>DÄMPFERABMESSUNGEN (AUGE ZU AUGE/HUB)</b>		
	Metrisch. 210 x 50 mm	Metrisch. 210 x 55 mm
<b>DÄMPFER-KLEINTEILE</b>		
Vorne (Rahmen)	8 x 24,892 mm	
Hinten (Dämpferverlängerung)	8 x 16,46 mm	
<b>KOMPATIBILITÄT MIT STAHLFEDERDÄMPFERN</b>		
	Ja*	
<b>KOMPATIBILITÄT MIT FOX FLOAT X2 DÄMPFER</b>		
	Nein	
<b>EMPFOHLENER SAG</b>		
	25-30 %	
<b>STEUERSATZSTANDARD</b>		
	Orbea ICR HS02 SIC (Sealed Internal Cabling) Kein Spinblock	
<b>STEUERSATZLAGER</b>		
	Oberseite: 1 1/2 (mit Adapter 1-1/2" auf 1-1/8" für interne Leitungsverlegung)	
	Unterseite: 1 1/2	
<b>STEUERSATZ-SPACER</b>		
	Exklusiv für HS02 Siehe die Abschnitte zu Steuersatz und Vorbau	
<b>MAX. HÖHE STEUERSATZ-SPACER</b>		
	Unter dem Vorbau: 30 mm	
<b>TRETLAGER</b>		
	Shimano EP801/EP6 Motorachse	
<b>KETTENLINIE</b>		
	55 mm	
<b>LAUFRADGRÖSSE</b>		
	29"	
<b>GEEIGNET FÜR MULLET-AUFBAU</b>		
	Nein	
<b>MAXIMALE REIFENGRÖSSE HINTEN</b>		
	29 x 2,5"	

	RISE H SL	RISE LT
<b>MAXIMALE REIFENBREITE VORNE</b>	Abhängig von der Gabel 29 x 2,5" bei den von Orbea spezifizierten Modellen	
<b>SCHALTAUGE</b>	Sram UDH (Universal Derailleur Hanger) 30 mm Unterlegscheibe	
<b>SRAM T-TYPE MÖGLICH</b>	Ja	
<b>STANDARD AUSFALLENDEN HINTEN</b>	Boost 12 x 148 mm	
<b>ABMESSUNGEN HINTERRADACHSE</b>	12 x 184 mm	
<b>GEWINDESTEIGUNG HINTERRADACHSE</b>	1,0 mm	
<b>GEWINDELÄNGE HINTERRADACHSE</b>	15 mm	
<b>VORDERRADACHSE</b>	Abhängig vom Gabelmodell	
<b>DURCHMESSER DER SATTELSTÜTZE</b>	31,6 mm	
<b>DURCHMESSER DER SATTELSTÜTZENKLEMME</b>	34,9 mm	
<b>MAXIMALE EINSTECKTIEFE DER SATTELSTÜTZE</b>	S: 295 mm M: 312 mm L: 320 mm XL: 354 mm	
<b>VARIOSTÜTZE MIT INTERNER ZUGFÜHRUNG KOMPATIBEL</b>	Ja	
<b>UMWERFER</b>	Nein. Nur Einfachkettenblatt	
<b>KOMPATIBLE KETTENBLÄTTER</b>	Mit Shimano EP8/EP801/EP6 Achsverzahnung. Kettenlinie 55 mm	
<b>MAXIMALE KETTENBLATTGRÖSSE</b>	34Z	
<b>MINIMALE KETTENBLATTGRÖSSE</b>	30Z	
<b>OVALE KETTENBLÄTTER MÖGLICH</b>	Nein	
<b>KETTENFÜHRUNG</b>	Ja. Kettenführung für Shimano-Motor E8000-EP8-EP801-EP6 Kettenlinie 55 mm	
<b>ICGS</b>	Nein	
<b>KOMPATIBLE KURBELN</b>	Kurbel für Shimano Motor EP8/EP801/EP6	
<b>Q-FAKTOR</b>	(EP801-EP6) 177 mm	
<b>KURBELARMLÄNGE</b>	165-175 mm	
<b>KOMPATIBLE SCHALTUNGEN</b>	11-fach und 12-fach (1x). MTB Boost. Kettenlinie 55 mm.	
<b>Di2-KOMPATIBEL</b>	Ja. Shimano XT RD-M8150 Verbunden mit dem Motor (Siehe Abschnitt zur Verbindung mit E-Tube Professional)	
<b>KOMPATIBEL MIT SRAM AXS</b>	Ja	
<b>BREMSENTYP</b>	Scheibenbremse. Post Mount**	
<b>MAXIMALE BREMSSCHEIBENGRÖSSE HINTEN</b>	203 mm	
<b>MINIMALE BREMSSCHEIBENGRÖSSE HINTEN</b>	180 mm	
<b>MINIMALE/MAXIMALE BREMSSCHEIBENGRÖSSE VORNE</b>	Depends on the fork model Fox 34: 180-203 mm Fox 34 AWL: 160-203 mm	

	RISE H SL	RISE LT
	Fox 36: 180–230 mm Fox 36 AWL HD: 160–230 mm	
	<b>SIC (Sealed Internal Cabling)</b>	
<b>KABELFÜHRUNG</b>	<b>Schaltwerk und Hinterradbremse:</b> Intern durch Steuersatz, Unterrohr und Kettenstreben. Durchgehende Außenhülle.	
	<b>Vorderradbremse:</b> Außen	
	<b>Variostütze:</b> Intern durch Steuersatz, Unterrohr und Sitzrohr. Durchgehende Außenhülle.	
	<b>E-Bike-System:</b> Vollständig interne Verkabelung	
<b>ZUGVERLEGUNG FÜR HINTERRADBREMSE LINKS MÖGLICH</b>	Ja	
<b>FLASCHENHALTER</b>	1. Alle Rahmengrößen. 210 Wh Range Extender-Halterung oder Standard-Flaschenhalter	
<b>WERKZEUGE</b>	MT-20 tool an der Schwingenachse (optional) 6 mm Sechskant-Hinterachsenhebel	
<b>KOMPATIBLE MOTOREN</b>	Shimano EP801 RS/EP6 RS	
<b>EINBAUWINKEL DES MOTORS</b>	13°	
<b>MIT ORBEA EBIKE SYSTEM KOMPATIBLE INTEGRIERTE AKKUS</b>	420 Wh Gen2 630 Wh Gen2	
<b>MIT ORBEA EBIKE SYSTEM KOMPATIBLE RANGE EXTENDER</b>	210 Wh Gen2	
<b>MONTAGE DES E-BIKE-GESCHWINDIGKEITSENSORMAGNETS</b>	An der hinteren Brems Scheibe***	
<b>KOMPATIBEL MIT POTENTIOMETER</b>	Nein	
<b>GEPÄCKTRÄGERMONTAGE</b>	Nein	
<b>KOMPATIBEL MIT FESTEN SCHUTZBLECHEN</b>	Nein	
<b>KINDERSITZMONTAGE</b>	Nein	
<b>ANHÄNGERMONTAGE</b>	Nein	
<b>EMPFOHLENES MAXIMALGEWICHT (Fahrer:in+Ausrüstung+Gepäck)</b>	Siehe das Dokument zu den empfohlenen Maximalgewichten für unsere Produkte auf unserer Website	

\*Nicht alle Stahlfederdämpfer am Markt sind mit dem Rise-Rahmen kompatibel. Alle von Orbea spezifizierten Kombinationen wurden geprüft. Bei nachträglichen Montagen bitte vor dem Kauf die entsprechenden Abmessungen und Toleranzen überprüfen.

\*\*Nicht alle am Markt erhältlichen Bremsättel und -scheiben sind mit allen Rahmen kompatibel. Alle von Orbea spezifizierten Kombinationen wurden geprüft. Bei nachträglichen Montagen bitte vor dem Kauf die entsprechenden Abmessungen und Toleranzen überprüfen.

\*\*\*KOMPATIBLE BREMSSCHEIBEN: Siehe Abschnitt „Komponenten des elektrischen Antriebssystems“ für nähere Informationen zur Brems Scheibenkompatibilität.

## TECHNISCHE DATEN SHIMANO EP801 UND EP600

### WARNUNG

Generell gilt, dass am Rise Carbon 2025 verbaute Shimano Komponenten mit Gen2-Kennzeichnung nicht mit Komponenten der ersten Generation kompatibel sind. Informationen zur Kompatibilität sind in der Herstellerdokumentation [hier](#) zu finden. Siehe das Systemhandbuch zu Shimano EP801/EP6 [hier](#). Denke daran, dass die Akkus und die RS-Motorsoftware des Orbea Ebike System Gen2 Orbea-exklusiv sind.

ANTRIEBSEINHEIT	SHIMANO DU-EP801 RS	SHIMANO DU-EP6-RS
NENNLEISTUNG	250 W	
SPANNUNG	36 V	
TYP	Bürstenlos Gleichstrom	
MAXIMALES DREHMOMENT	85 Nm	
HÖCHSTGESCHWINDIGKEIT	EU: 25 Km/h 20 Mph - US E-Bikes Klasse 1	
GEWICHT	2,7 kg	3,0 kg
UNTERSTÜTZUNGSPROFILE	2 (RS/RS+) Wählbar über E-Tube Project App oder Display Modifizierbar über E-Tube Project App	
UNTERSTÜTZUNGSSTUFEN (JE PROFIL)	BASIC-MODUS: 3 (ECO, TRAIL, BOOST) Änderbar über E-Tube Project App FINE TUNE-MODUS: Bis zu 15 (ECO, TRAIL, BOOST) Änderbar über E-Tube Project App	
SCHIEBEHILFE	Ja	
STEPS/DI2 KABELSTANDARD	EW-SD300	
ANSCHLUSS VON BELEUCHTUNG	Nicht im Rise Siehe Abschnitt zur Verbindung mit E-Tube Professional	
MONTAGEWINKEL IM RISE	13°	
UNTERSTÜTZUNGSSTUFENSCHALTER	SHIMANO SW-EN600-L Gen2	
FUNKTIONEN	Ein-/Ausschalten des Fahrrads	
	Wechseln der Unterstützungsstufe	
	Aktivierung der Schiebehilfe	
	Shimano Display-Bildschirmnavigation (Montageoption)	
MONTAGE	Am Lenker (Klemmendurchmesser 22,2 mm)	
STEPS/DI2 KABELSTANDARD	EW-SD300	
KONNEKTIVITÄT	Bluetooth LE (Shimano E-Tube Project/Shimano Ride Apps)	
	ANT Private	
Ein- und Ausschalten der Beleuchtung	Im Rise nicht aktiv	
HERSTELLERHANDBUCH	<a href="https://si.shimano.com/de/dm/SCSW002">https://si.shimano.com/de/dm/SCSW002</a>	

<b>DISPLAY (optional)</b>	<b>Shimano Display SC-EN600</b>
<b>FUNKTIONEN</b>	Siehe Informationen des Herstellers: <a href="https://bike.shimano.com/en-EU/product/component/ep6-ep600/SC-EN600.html">https://bike.shimano.com/en-EU/product/component/ep6-ep600/SC-EN600.html</a>
<b>MONTAGE</b>	Am Lenker (35 mm Klemmung) Am Vorbau OC MC11: Spezielle Halterung
<b>STEPS/DI2 KABELSTANDARD</b>	EW-SD300
<b>HERSTELLERHANDBUCH</b>	<a href="https://si.shimano.com/de/um/7JD0A">https://si.shimano.com/de/um/7JD0A</a>
<b>KABELFÜHRUNG</b>	<b>SHIMANO EW-SD300</b>
<b>SENSOR</b>	EW-SS301 760 mm Montage an der linken Kettenstrebe Interne Verkabelung
<b>MAGNET</b>	An der hinteren Bremsscheibe.
<b>STECKVERBINDER</b>	EW-JC302/EWJC304 Je nach Montageart An der Lenkerinnenseite
<b>STEPS/DI2 KABELSTANDARD</b>	EW-SD300

## TECHNISCHE DATEN DES ORBEA E-BIKE SYSTEMS GEN2

### WARNUNG

Zur Kompatibilität der Komponenten des Orbea Ebike Systems mit den E-Bike-Modellen von Orbea siehe [hier](#).

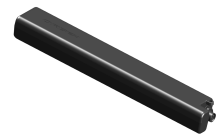
#### INTEGRIERTER AKKU ORBEA 420 Wh GEN2

SPANNUNG	36 V
KAPAZITÄT	420 Wh
GEWICHT	Circa 1,96 kg
ZELLEN	Lithium-Ionen. LG INR21700M58T
LADEDAUER 100 % (4 A) Mit RS Smart Charger Gen2	3,5 Stunden
LADEDAUER 80 % (4 A) Mit RS Smart Charger Gen2	2 Stunden
MONTAGE	Innen. Im Unterrohr. Kein Ausbau durch Nutzer:in.
VERBINDUNG	Kabelbaum zu Motor und Ladebuchse
WASSERSCHUTZ	IPX6
ZERTIFIZIERUNGEN	ISO13849 > ISO13849-1:2015 IEC62133 > IEC62133:2017 UN 38.3 Korea: KC XU103387-24002 US (UL) SGS 802543
KOMPATIBILITÄT	Kompatibel mit den Systemen Orbea Ebike System Gen2 bei Orbea Modellen mit Shimano Motor EP801/EP6 <a href="#">Siehe Kompatibilitätstabelle</a>



#### INTEGRIERTER AKKU ORBEA RS 630 Wh GEN2

SPANNUNG	36 V
KAPAZITÄT	630 Wh
GEWICHT	Ca. 2,88 kg
ZELLEN	Lithium-Ionen. LG INR21700M58T
LADEDAUER 100 % (4 A) Mit RS Smart Charger Gen2	5 Stunden
LADEDAUER 80 % (4 A) Mit RS Smart Charger Gen2	3 Stunden
MONTAGE	Innen. Im Unterrohr. Kein Ausbau durch Nutzer:in.
VERBINDUNG	Kabelbaum zu Motor und Ladebuchse
WASSERSCHUTZ	IPX6



[Continues next page >](#)

**INTEGRIERTER AKKU ORBEA RS 630 Wh GEN2**

<b>ZERTIFIZIERUNGEN</b>	ISO13849 > ISO13849-1:2015
	IEC62133 > IEC62133:2017
	UN 38.3
	Korea: KC XU103387-24001 US (UL) SGS 802543

<b>KOMPATIBILITÄT</b>	Kompatibel mit den Systemen Orbea Ebike System Gen2
	bei Orbea Modellen mit Shimano Motor EP801/EP6 <a href="#">Siehe Kompatibilitätstabelle</a>

**EXTERNER AKKU RANGE EXTENDER 210 WH GEN2**

<b>SPANNUNG</b>	36 V
<b>KAPAZITÄT</b>	210 Wh
<b>GEWICHT</b>	Circa 1,03 kg
<b>ZELLEN</b>	Lithium-Ionen. LG INR21700M58T

<b>LADEDAUER 100 % (2 A) Mit RS Smart Charger Gen2</b>	3 Stunden
--	-----------

<b>LADEDAUER 80 % (2 A) Mit RS Smart Charger Gen2</b>	2 Stunden
---	-----------

<b>MONTAGE</b>	Spezieller Flaschenhalter am Unterrohr
----------------	--

<b>VERBINDUNG</b>	Rise-spezifisches Kabel 120 mm
-------------------	--------------------------------

<b>WASSERSCHUTZ</b>	IPX6
---------------------	------

<b>ZERTIFIZIERUNGEN</b>	ISO13849 > ISO13849-1:2015
	IEC62133 > IEC62133:2017
	UN 38.3
	Korea: KC XU103387-24003 US (UL) SGS 802543

<b>KOMPATIBILITÄT</b>	Kompatibel mit Orbea Ebike System Gen2 MC-Systemen
	Nur Rise und Urrun aus MY2025 <a href="#">Siehe Kompatibilitätstabelle</a>

**SMART CHARGER RS 2A-4A GEN2**

<b>EINGANG</b>	100 - 240 V. 50 - 60 Hz. AC
----------------	-----------------------------

<b>AUSGANG</b>	42 V, 4 A DC
----------------	--------------

<b>LADESTROM INTEGRIERTER AKKU</b>	4 A
------------------------------------	-----

<b>LADESTROM RANGE EXTENDER RS 210 Wh</b>	2 A
	Der RS Smart Charger erkennt, welcher Akku angeschlossen ist, und passt den Ladestrom entsprechend an.

<b>TEMPERATURBEREICH ZUM AUFLADEN</b>	0 °C-40 °C
---------------------------------------	------------

<b>LADEPROZESSANZEIGE</b>	LED für Ladevorgang und Fehler
---------------------------	--------------------------------





**SMART CHARGER RS 2A-4A GEN2****ZERTIFIZIERUNGEN**

CB: IEC60335-1, IEC60335-2-29 EC: EN60335-1, EN60335-2-29  
RCM, SAA: AS/NZS 60335.2.29  
UKCA: BS/EN60335-1, BS/EN60335-2-29  
FCC: FCC PART 15B  
IC: ICES-003-Issue 7  
CE: UKCA: EN55014-1/2, EN610003-3/2  
C-TICK: AS/NZS CISPR 14.1

**KOMPATIBILITÄT**

Kompatibel mit den Systemen Orbea Ebike System Gen2  
bei Orbea Modellen mit Shimano Motor EP801/EP6 ab Baureihe 2023  
[Siehe Kompatibilitätstabelle](#)

**VERKABELUNG ORBEA RS GEN2****KABELBAUM RISE 2025**

Verbindung integrierter Akku – Ladebuchse – Motor  
Kommunikationsprotokoll: Shimano STEPS Gen2  
Schutzart: IP66  
Kompatibilität: Rise ab MY2025  
[Siehe Kompatibilitätstabelle](#)

## 08 VERWENDUNG DES RISE

Dieser Abschnitt behandelt die generelle Funktionsweise des Shimano STEPS EP801/EP6 Systems im Rise sowie die besonderen Funktionen des EP801RS/EP6 RS Systems von Orbea.

Beachte auch die Gebrauchsanweisung zum Shimano EP801 System, die du hier findest: <https://si.shimano.com/de/um/7K70A>

### WARNUNG

Sämtliche Gebrauchsanweisungen und Händlerhandbücher zu Shimano Komponenten findest du unter: <https://si.shimano.com/de/>

Gib einfach den Namen der Komponente in das Suchfeld ein, um die zugehörige Gebrauchsanweisung, Händlerbetriebsanleitung, Ersatzteile usw. abzurufen.

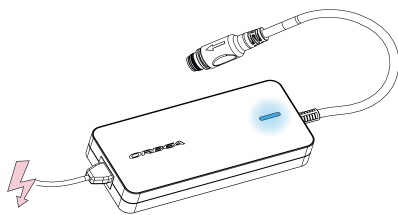
## AUFLADEN DES INTEGRIERTEN AKKUS

### WARNUNG

Lade den integrierten Akku und den Range Extender vor dem ersten Einsatz deines Fahrrads vollständig auf.

### INTEGRIERTE AKKUS ORBEA RS 630 WH GEN2 UND 420 WH GEN2

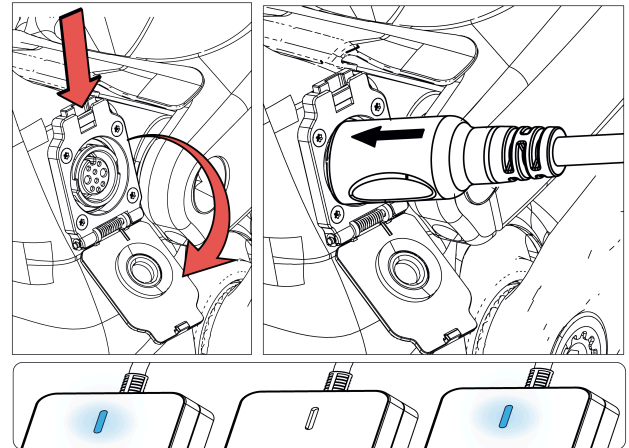
Zum Aufladen des integrierten Akkus schließt du zunächst das Ladegerät an eine Steckdose an. Die LED am Ladegerät blinkt blau, wenn das Ladegerät nicht mit dem Fahrrad verbunden ist.



Öffne die Abdeckung der Ladebuchse am Rise und schließe das Ladegerät an. Beim Einstecken auf die richtige Stecker- Ausrichtung zur Ladebuchse achten.

Achte dabei darauf, dass die Pins an Ladebuchse und Stecker zusammenpassen, damit die Komponenten nicht beschädigt werden.

Die LED am Ladegerät leuchtet daraufhin zwei Sekunden lang blau, worauf ein zyklisches Aufleuchten und allmähliches Ausblenden bis zur vollständigen Aufladung des Akkus folgt.



Das Fahrrad kann nicht eingeschaltet werden, solange das Ladegerät an die Ladebuchse angeschlossen ist.

Wenn du den genauen Restladestand als Prozentangabe sehen möchtest, trenne das Ladegerät von der Ladebuchse ab, schalte das Fahrrad ein und überprüfe den Ladestand an der Bedieneinheit SW-EN600-L oder dem Display. Alternativ kann der Ladestand auch durch Verbinden mit Orbea RS Toolbox Apps (Garmin) oder Shimano E-Tube Project Cyclist (Smartphones) angezeigt werden.

### WARNUNG

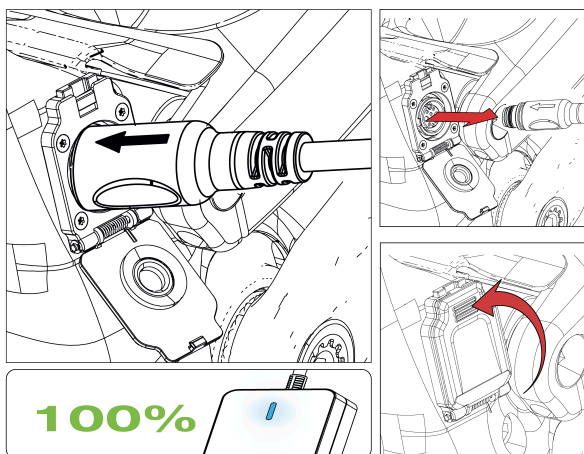
Wenn die LED am Ladegerät beim Anschluss des Ladegeräts an die Steckdose oder während des Ladevorgangs rot leuchtet, liegt eine Störung vor.

Trenne das Ladegerät umgehend ab und lies den Abschnitt zur Störungsbeseitigung am Ladegerät in diesem Handbuch. Sollte sich das Problem nicht beheben lassen, setze dich mit einem autorisierten Orbea Händler in Verbindung.

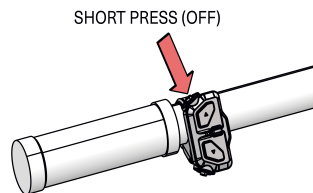


Wenn der Akku vollständig aufgeladen ist, leuchtet die LED am Ladegerät wieder konstant blau.

Trenne das Ladegerät von der Ladebuchse, indem du vorsichtig am Stecker des Ladegeräts ziehst. Vergewissere dich anschließend, dass die Abdeckung der Ladebuchse richtig verschlossen ist.



Zum Ausschalten des Bikes drücke eine halbe Sekunde lang die obere Taste an der Shimano Bedieneinheit SW-EN600-L, bis die LEDs an der Remote-Einheit erlöschen.



## ANZEIGEN DES AKKULADESTANDS

Der Akkustand des Bikes kann je nach gewählter Ausstattung unterschiedlich angezeigt werden.

### WARNUNG

Vermeide ein regelmäßiges Absinken des Ladestands auf unter 10 %.

Das Ladegerät sollte nicht über längere Zeit ununterbrochen an den Akku angeschlossen bleiben. Zudem sollte der Ladevorgang beaufsichtigt werden, damit das Ladegerät bei Feststellung von Störungen wie Rauchentwicklung, Brandgeruch oder Feuer abgetrennt werden kann.

Der Smart Charger ist so konzipiert, dass der Ladevorgang beendet wird, sobald der Akku vollständig aufgeladen ist. Dadurch werden die Akkuzellen vor Beschädigung geschützt und der Akku kann bedenkenlos aufgeladen werden. Es wird jedoch empfohlen, den Ladevorgang zu überwachen, um Schäden im Falle einer Funktionsstörung des Ladegeräts zu vermeiden.

Lithium-Akkus sind während des Ladevorgangs temperaturempfindlich. Achte stets auf die in diesem Handbuch angegebenen Temperaturbereiche für das Aufladen, Entladen (Nutzung) und die Aufbewahrung.

## EXTERNER AKKU RANGE EXTENDER 210 WH GEN2

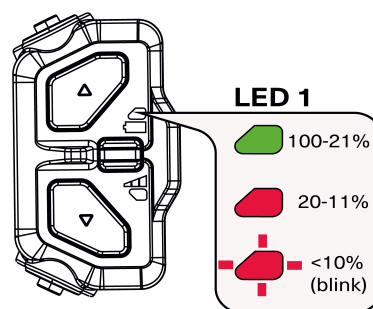
Genauere Angaben zum Aufladeprozess und zur Anzeige des Ladestands des Range Extenders findest du im gesonderten Abschnitt zum externen Akku Range Extender 210 Wh RS Gen2.

### WARNUNG

Wenn ein Range Extender mit dem Fahrrad verbunden ist, berechnet das System die Gesamtkapazität beider Akkus (integrierter Akku und Range Extender). Der auf die nachfolgend beschriebenen Arten angezeigte Ladestand bildet den kombinierten Restladestand beider Akkus im Verhältnis zur Gesamtkapazität des Systems ab. Zum Verhalten des Range Extenders und zur Anzeige des Gesamtladestands siehe das gesonderte Kapitel über den Range Extender in diesem Handbuch.

## BEDIENEINHEIT SW-EN600-L

Bei eingeschaltetem Fahrrad zeigt die LED 1 an der Schaltereinheit SW-EN600-L den Ladestand des/der Akkus an.



Die Anleitung zur Schaltereinheit SW-EN600-L findest du hier:

<https://si.shimano.com/de/um/ONM0A>

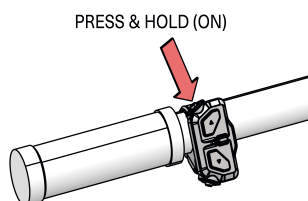
## DISPLAY SC-EN600

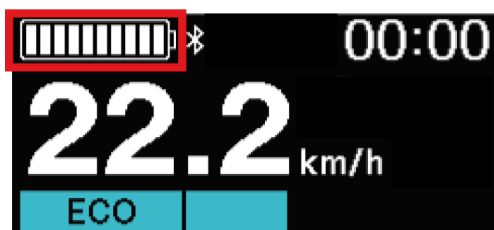
Bei Ausstattung mit einem Display SC-EN600 wird der Ladestand des/der Akkus auf dem Bildschirm angezeigt.

Der Ladestand des/der Akkus wird über zehn Balken angezeigt. Wenn der Ladestand 10 % oder weniger beträgt, erscheint die Anzeige rot.

## EIN-/AUSSCHALTEN DES RISE

Zum Einschalten des Bikes drücke 2 Sekunden lang die obere Taste an der Shimano Bedieneinheit SW-EN600-L, bis der Akkuladestand an der oberen LED angezeigt wird.





Die Anleitung zum Shimano Display SC-EN600 findest du hier:

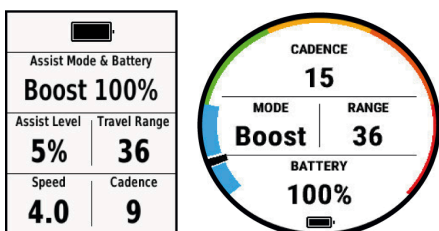
[https://si.shimano.com/de/manual/search?input\\_model=sc-en600](https://si.shimano.com/de/manual/search?input_model=sc-en600)

## KOMPATIBLE GARMIN GERÄTE. ORBEA RS TOOLBOX

Über die App Orbea RS Toolbox lassen sich wichtige Daten von Orbea-Fahrrädern mit Shimano-Motoren EP8/EP801/EP6 auf deinem kompatiblen Garmin Gerät anzeigen, darunter auch der Ladestand des/der Akkus in Prozent.

Siehe die Anleitung für die Orbea RS Toolbox App für Garmin-Geräte unter folgendem Link:

[Orbea RS Toolbox Betriebsanleitung](#)



## ORBEA AKKUS RS GEN2

### • Integrierter Akku

Der integrierte Akku besitzt keine LEDs für die Ladestandanzeige. Zur Ermittlung des Ladestands muss der integrierte Akku am Antriebssystem angeschlossen werden. Anschließend kann der Akkustand wie oben beschrieben überprüft werden.

### • 210 Wh Range Extender

Drücke einmal auf die Haupttaste am Range Extender, um den Ladestand zu ermitteln. Die LEDs zeigen daraufhin fünf Sekunden lang den aktuellen Ladestand in 25%-Schritten von rechts nach links an.

### WARNUNG

Genaue Angaben zum Aufladeprozess und zur Anzeige des Ladestands des Range Extenders findest du im gesonderten Abschnitt zum externen Akku Range Extender 210 Wh RS Gen2.

## WECHSELN DER UNTERSTÜTZUNGSSTUFE

### BEDIENEINHEIT SW-EN600-L

Wenn du den Unterstützungsmodus über den Schalter SW-EN600L verändern willst, drücke die Taste X zur Auswahl einer höheren Unterstützungsstufe. Die höchste verfügbare Unterstützungsstufe ist die Stufe Boost.

Drücke die Taste Y, um eine niedrigere Unterstützungsstufe auszuwählen oder die Motorunterstützung ganz abzuschalten.

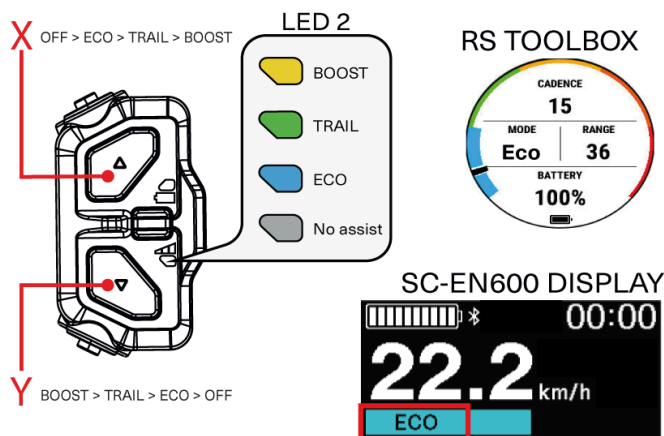
Die verfügbaren Unterstützungsstufen sind:

- OFF (keine elektrische Unterstützung)
- ECO
- TRAIL
- BOOST

Bei Umschaltung der Unterstützungsstufe wechselt die LED 2 am Schalter ihre Farbe entsprechend der aktuell gewählten Unterstützungsstufe. Bei Ausstattung mit einem Display wird der Name der aktuellen Unterstützungsstufe auf dem Display eingeblendet.

Auch die Garmin Orbea RS Toolbox App zeigt die gewählte Unterstützungsstufe auf dem Bildschirm an. Siehe die Anleitung für die Orbea RS Toolbox App für Garmin-Geräte unter folgendem Link:

[Orbea RS Toolbox Betriebsanleitung](#)

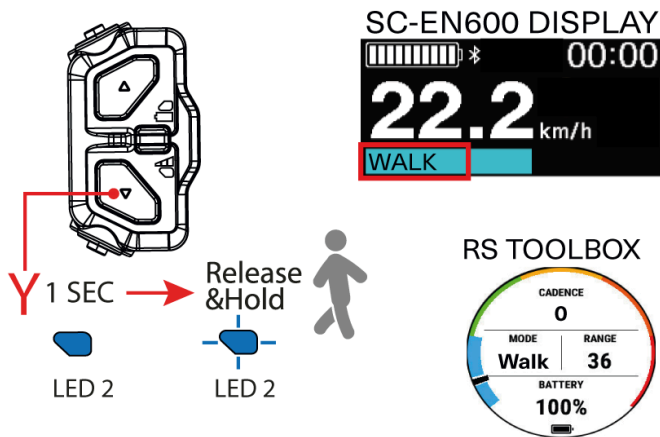


### SCHIEBEHILFE

Zum Einschalten der Schiebehilfe halte die Taste Y an der Einheit SW-EN600L eine Sekunde lang gedrückt, bis die LED 2 an der Bedieneinheit blau aufleuchtet.

Lasse die Taste Y an der Bedieneinheit los und drücke sie erneut, um die Schiebehilfe zu aktivieren. Das System hält die Schiebehilfe so lange aktiviert, wie du die Taste Y an der Bedieneinheit drückst. Bei aktivierter Schiebehilfe blinkt die LED an der Bedieneinheit blau.

Zum Abschalten der Schiebehilfe drücke die Taste X an der Bedieneinheit.



Die Anleitung zur Schaltereinheit SW-EN600-L findest du hier:

<https://si.shimano.com/de/manual/search?model=SW-EN600-L>

Die Anleitung zum Shimano Display SC-EN600 findest du hier:

[https://si.shimano.com/de/manual/search?input\\_model=sc-en600](https://si.shimano.com/de/manual/search?input_model=sc-en600)

## UNTERSTÜTZUNGSPROFILE. RS/RS+

Die Motoren EP801RS und EP6RS bieten zwei Unterstützungsprofile, um das Potenzial des Rise bei unterschiedlichen Bedingungen voll auszuschöpfen.

Das Profil RS (Profil 1) bietet eine elastische Unterstützung in dem für deinen Körper optimalen Trittfrequenzbereich und ein Drehmoment von bis zu 56 Nm für lange, abenteuerliche Touren.

Das Profil RS+ (Profil 2) ist für technisch anspruchsvolle Anstiege und Trails konzipiert, bei denen die Trittfrequenz geringer ist, und stellt ein höheres Drehmoment von bis zu 85 Nm bereit.

## AUSWAHL DER UNTERSTÜTZUNGSPROFILE

Du kannst mithilfe der Shimano E-Tube Project Cyclist Smartphone-App oder des Displays SC-EN600 (bei entsprechend ausgestatteten Modellen) zwischen dem Unterstützungsprofil RS (Profil 1) und dem Profil RS+ (Profil 2) wechseln.

### E-TUBE PROJECT CYCLIST APP

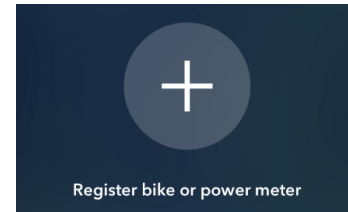


Lade die App über Google Play oder den Apple Store herunter und installiere sie auf deinem Smartphone.

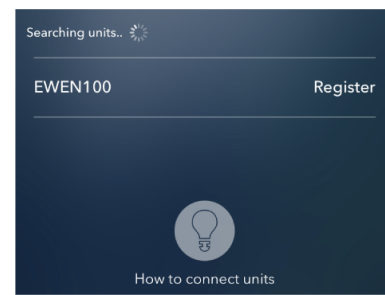
**1. Starte die E-Tube Project App auf deinem Smartphone.**

Schalte das Fahrrad ein und öffne die App auf deinem Smartphone.

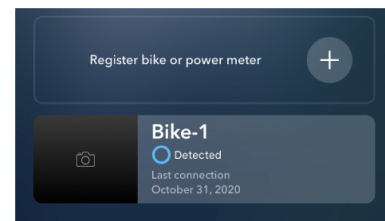
**2. Wähle „E-Bike registrieren“.**



**3. Wähle die zu verbindende Einheit aus.** Wenn das Fahrrad nach ein paar Sekunden nicht auf dem Display zu sehen ist, drücke eine der Tasten am Unterstützungseinstufenschalter, um die Verbindung zu aktivieren.



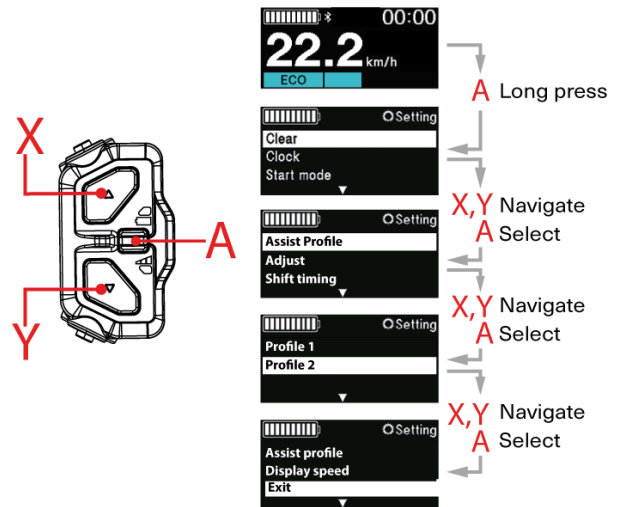
**4. Registriere dein Fahrrad in E-Tube Project.** Du kannst ein Passwort vergeben, damit nur du Änderungen an deinem Fahrrad vornehmen kannst. Falls du kein Passwort vergeben möchtest, geht es mit dem nächsten Schritt weiter.



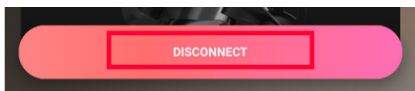
**5. Wähle im Menü „Einstellen“ den Punkt „Unterstützen“.**



**6. Wähle das Profil aus, das du für das Bike aktivieren möchtest: Profil 1 (RS) oder Profil 2 (RS+).**



7. Wähle „Anwenden“, um die Änderungen zu speichern.
8. Drücke auf „Trennen“, um das Bike von der App zu trennen. Das vor dem Trennen zuletzt ausgewählte Profil wird beim Wiedereinschalten des Bikes aktiv sein.



Die vollständige Anleitung zur App E-Tube Project Cyclist gibt es hier:

<https://si.shimano.com/de/um/7J4MA>

### DISPLAY SC-EN600

Bei mit einem Shimano-Display ausgestatteten Modellen kann das Unterstützungsprofil über das Display ausgewählt werden.

1. Halte die Taste A an der Bedieneinheit SW-EN-600-L gedrückt, um ins Einstellungs-Menü des Displays zu gelangen.
2. Mit den Tasten X und Y an der Bedieneinheit kannst du durch das Unterstützungsprofilmenü navigieren. Um es auszuwählen, drücke die Taste A.
3. Wähle über die Tasten X und Y das Unterstützungsprofil aus (Profil 1=RS, Profil 2=RS+) und bestätige es durch Drücken der Taste A.
4. Navigiere mit den Tasten X und Y zum Exit und bestätige das Verlassen des Menüs durch Drücken der Taste A. Das ausgewählte Unterstützungsprofil ist nun auf dem Bike aktiviert.

Das vollständige Handbuch zum Display SC-EN600 findest du unter folgendem Link:

[https://si.shimano.com/de/manual/search?input\\_model=sc-en600](https://si.shimano.com/de/manual/search?input_model=sc-en600)

## ANPASSEN DER UNTERSTÜTZUNGSSTUFEN

Die Unterstützungsleistung der einzelnen Unterstützungsstufen lässt sich über die Smartphone-App Shimano E-Tube Project Cyclist auf die eigenen Bedürfnisse abstimmen.

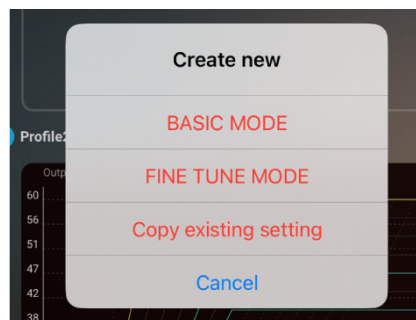
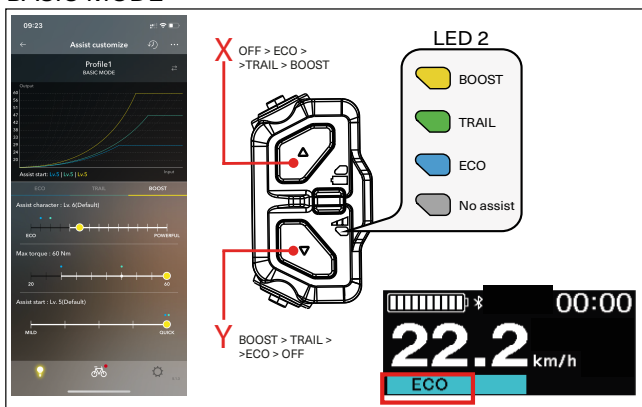
### „BASIC MODE“- UND „FINE TUNE“-PROFILE

Die beiden verfügbaren Unterstützungsprofile können jeweils als BASIC- oder FINE TUNE-Profil aktiviert werden.

**BASIC MODE:** Innerhalb des Profils stehen lediglich drei Unterstützungsstufen (ECO, TRAIL und BOOST) zur Auswahl. Unterstützungscharakteristik und maximales Drehmoment können für jede Stufe gesondert eingestellt werden.

**FINE TUNE:** Bis zu 15 Unterstützungsstufen können über die Bedieneinheit ausgewählt und im Profil aktiviert werden. Jede Stufe wird innerhalb einer vorgegebenen Unterstützungscharakteristik aktiviert; außerdem lässt sich das maximale und minimale Motordrehmoment verändern. Alle auf die ersten beiden Stufen folgenden Zwischenstufen werden an der Bedieneinheit als TRAIL angezeigt (grünes Licht an LED 2). In diesem Modus wird die gewählte Unterstützungsstufe auf dem Display (bei mit Display ausgestatteten Modellen) als Zahl innerhalb der aktiven Stufen bis maximal 15 angezeigt.

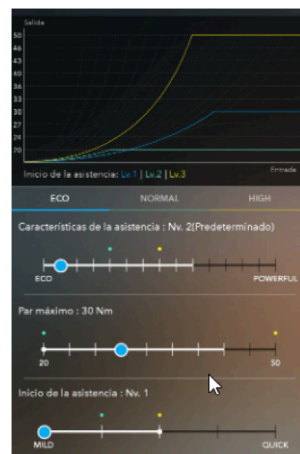
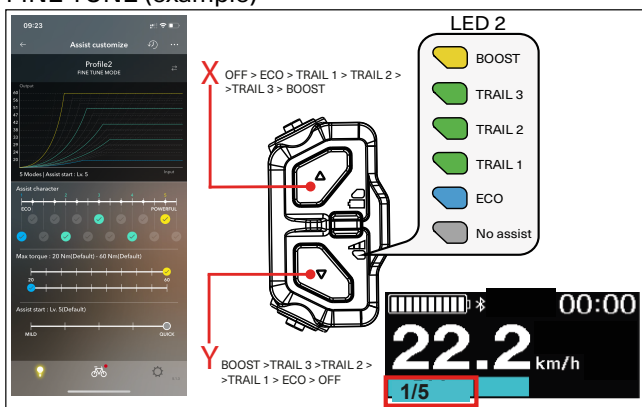
**BASIC MODE**



**ÄNDERN DER PARAMETER DER UNTERSTÜTZUNGSTUFEN (BASIC MODE)**

1. Wähle im BASIC MODE die Unterstützungsstufe (ECO, TRAIL, BOOST) und ändere die Parameter für das maximale Drehmoment, die Art der Unterstützung und das Einsetzen der Unterstützung um zu den Standardwerten zurückzukehren, positioniere die Markierungen auf der Skala an den Stellen mit dem weißen Punkt (Standard).

**FINE TUNE (example)**



**ANPASSEN DER UNTERSTÜTZUNGSTUFEN UND PROFILAUSWAHL**



1. Verbinde das Bike mit der E-Tube Project Cyclist App.

**WARNUNG**

Wie du dein Fahrrad mit der Shimano E-Tube Project Cyclist Mobile App verbindest, kannst du dem vorherigen Abschnitt „Auswahl der Unterstützungsprofile“ entnehmen.

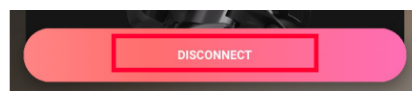
2. Wähle im Menü „Einstellen“ den Punkt „Unterstützen“.



3. Wechsele die Unterstützungsprofile zwischen BASIC MODE und FINE TUNE. Standardmäßig sind beide Unterstützungsprofile auf BASIC MODE eingestellt. Um eine FINE TUNE Einstellung hinzuzufügen, wähle „Einstellung hinzufügen“ in einem der Profile aus und wähle diese Einstellung an.

2. Wähle „Anwenden“, um die Änderungen zu speichern.

Drücke auf „Trennen“, um das Bike von der App zu trennen.



Die vollständige Anleitung zur App E-Tube Project Cyclist gibt es hier:

<https://si.shimano.com/de/um/714MA>

**WARNHINWEISE/FEHLERMELDUNGEN DES ELEKTRISCHEN UNTERSTÜTZUNGSSYSTEMS**

Wenn ein Fehler oder eine Warnung im System festgestellt wird, blinkt die LED 1 an der Bedieneinheit rot. Bei Ausstattung mit dem Display SC-EN600 wird der Fehler- bzw. Warncode am Display angezeigt.

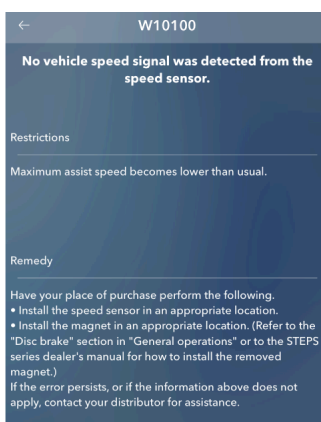
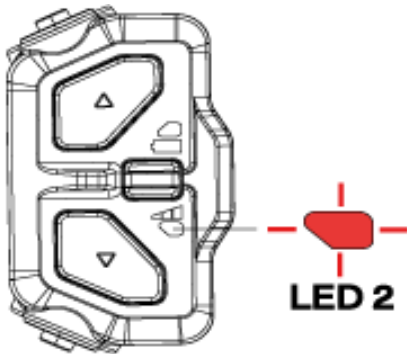
Starte das Fahrrad neu und verbinde es mit der App Etube Project Cyclist von Shimano. Der festgestellte Fehler und die Vorgehensweise zur Fehlerbehebung werden im Abschnitt **Wartung > Fehlerprotokoll** angezeigt.

Informationen zu den Fehlercodes und möglichen Abhilfemaßnahmen sind auch im Handbuch zum EP801/EP6-System von Shimano zu finden. Eine Auflistung der Fehlercodes und Warnungen zum Shimano STEPS System sowie die jeweilige Vorgehensweise zur Fehlerbehebung findest du unter folgendem Link:

<https://si.shimano.com/de/error>

#### WARNUNG

Eine Anleitung zum Verbinden des Bikes mit der E-Tube Project App findest du im vorherigen Abschnitt zur Auswahl der Unterstützungsprofile.



## BEDIENEN DES DISPLAYS ÜBER DIE SCHALTREINHEIT SW-EN600-L

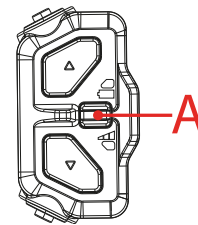
Mit der Bedieneinheit SW-EN600-L kannst du durch die Menüs des Displays SC-EN600 navigieren (bei mit Display ausgestatteten Modellen). Drücke die Taste A an der Bedieneinheit, um

zwischen den unterschiedlichen Displaybildschirmen zu navigieren und auf Fahrdaten wie Gesamtkilometer, zurückgelegte Distanz, Trittfrequenz usw. zuzugreifen. Die untergeordneten Ansichten können über die Smartphone-App Etube Project Cyclist angepasst werden.

Halte die Taste A an der Bedieneinheit gedrückt, um das Display-Menü aufzurufen, und verwende die Tasten X, Y und A auf der Bedieneinheit, um im Menü zu navigieren und Optionen auszuwählen.

Die Unterstützungsprofile 1 und 2 können über das Display ausgewählt werden (siehe den entsprechenden Abschnitt in diesem Handbuch, um mehr über die Auswahl des Unterstützungsprofils über das Display zu erfahren).

Siehe das Handbuch zum Shimano-Display SC-EN600 unter folgendem Link: [https://si.shimano.com/de/manual/search?input\\_model=sc-en600](https://si.shimano.com/de/manual/search?input_model=sc-en600)

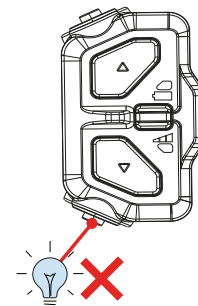


## ANSCHLUSS VON BELEUCHTUNG AM RISE

#### WARNUNG

Das Rise ist nicht für den Anschluss einer Beleuchtung an den Motor EP801RS/EP6RS ausgelegt, daher sind die Lichtanschlüsse am Motor und die Ein-Ausschalttaste für die Beleuchtung an der Bedieneinheit SW-EN600-L deaktiviert.

Für weitere Informationen siehe den Abschnitt zur Verbindung mit E-Tube Professional in diesem Handbuch.



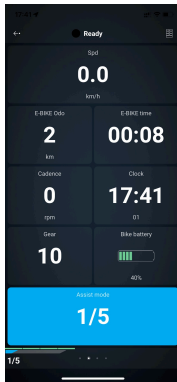
## E-TUBE RIDE APP

Die Smartphone-App Shimano E-Tube Ride ermöglicht insbesondere für Aufbauten ohne Display über eine Bluetooth-Verbindung mit dem Bike den Zugriff auf relevante Fahrdaten wie Gesamtkilometer, Akkuladestand usw.

Die App kann zur Installation auf dem Smartphone im Apple Store oder bei Google Play heruntergeladen werden.



Weitere Informationen über die E-Tube Ride App und das Benutzerhandbuch findest du unter folgendem Link: <https://bike.shimano.com/de-DE/e-tube/ride.html>



## ORBEA RS TOOLBOX DATENFELD FÜR GARMIN GERÄTE

Orbea RS Toolbox ist eine App für Garmin-Geräte. Sie ermöglicht eine Verbindung mit E-Bikes, die mit Shimano-Motoren EP8, EP801 oder EP6 ausgestattet sind und fügt diese deinem kompatiblen Garmin-Gerät als Datenfeld hinzu, sodass du während der Fahrt auf alle relevanten Informationen über dein Fahrrad zugreifen und diese Daten als Teil einer Aktivität zur späteren Ansicht in Garmin Connect aufzeichnen kannst.

Lade die Orbea RS Toolbox aus dem [Garmin Connect IQ store](#) herunter und installiere sie auf deinem kompatiblen Garmin-Gerät.

Die Betriebsanleitung zum Orbea RS Toolbox Datenfeld findest du unter folgendem Link:

[Orbea RS Toolbox Betriebsanleitung](#)

## EINSTELLUNG DER FEDERUNG

### EINSTELLUNG DER FEDERGABEL

#### FOX 34 GABELN (RISE SL)

Bezüglich der bei den verschiedenen Modellen verbauten Federgabeln ziehe die Benutzerhandbücher des Herstellers zu Rate.

Durch Anklicken folgender Links gelangst du zur Herstellerdokumentation:

[Übersichtsseite Fox Handbücher](#)

[Gabel Fox 34 Float Performance Grip 140 mm](#)

[Gabel Fox 34 Float AWL Sport RAIL 140 mm](#)

Die folgenden Tabellen bieten Richtwerte. Sie können je nach Fahrstil und Geländebeschaffenheit variieren.

#### EMPFOHLENER AUSGANGSLUFTDRUCK FÜR DIE SAG-EINSTELLUNG BEI FOX 34 FLOAT PERFORMANCE UND AWL SPORT GABELN

Gewicht Fahrer:in		Luftdruck (psi)	
(lbs)	(kg)	34 Float Performance GRIP	34 Float AWL Sport RAIL
120 - 130	54 - 59	64	65
130 - 140	59 - 64	69	70
140 - 150	64 - 68	74	74
150 - 160	68 - 73	78	80
160 - 170	73 - 77	83	85
170 - 180	77 - 82	88	90
180 - 190	82 - 86	92	96

[Continues next page >](#)

Gewicht Fahrer:in		Luftdruck (psi)	
(lbs)	(kg)	34 Float Performance GRIP	34 Float AWL Sport RAIL
190 - 200	86 - 91	97	101
200 - 210	91 - 95	102	106
210 - 220	95 - 100	106	111
220 - 230	100 - 104	111	116
230 - 240	104 - 109	116	121
240 - 250	109 - 113	120	126

### EMPFOHLENE SAG-MESSUNGEN

Federweg	15 % SAG (hart)	20 % SAG (sanft)
140 mm / 5,5 in	21 mm / 0,8 in	28 mm / 1,1 in

### EMPFOHLENE ZUGSTUFENEINSTELLUNG BEI FOX 34 FLOAT PERFORMANCE UND AWL SPORT GABELN

Die Zugstufeneinstellung ist abhängig vom Luftdruck. Je höher der Luftdruck, desto weiter sollte die Zugstufenregelung geschlossen sein.

Ermittle die Zugstufeneinstellung anhand des endgültigen Luftdrucks deiner Gabel. Drehe den Einstellknopf für die Zugstufe auf die geschlossene Position (im Uhrzeigersinn). Drehe anschließend so viele „Klicks“ gegen den Uhrzeigersinn wie in der Tabelle angegeben.

Gewicht Fahrer:in		Zugstufeneinstellung („Klicks“)	
(lbs)	(kg)	34 Float Performance GRIP	34 Float AWL Sport RAIL
120 - 130	54 - 59	13	10
130 - 140	59 - 64	12	9
140 - 150	64 - 68	11	9
150 - 160	68 - 73	10	8
160 - 170	73 - 77	9	8
170 - 180	77 - 82	8	7
180 - 190	82 - 86	7	7
190 - 200	86 - 91	6	6
200 - 210	91 - 95	5	5
210 - 220	95 - 100	4	3
220 - 230	100 - 104	3	2
230 - 240	104 - 109	2	1
240 - 250	109 - 113	1	1

### DRUCKSTUFENEINSTELLUNG (34 PERFORMANCE GRIP)

**3-Wege-Hebel mit Feinverstellung:** Der 3-Wege-Hebel ist nützlich, um schnelle Anpassungen vorzunehmen und das Federverhalten der Gabel bei Veränderungen des Geländes zu regeln. Er ist für Einstellungen während der Fahrt vorgesehen. Bei Hebelrotation auf Linksanschlag wird die Druckstufe auf den OFFENEN Modus eingestellt. Bei Einstellung des Hebels auf eine mittlere Position befindet sich die Gabel im MITTLEREN Modus. Bei Hebelrotation auf Rechtsanschlag wird die Druckstufe auf

den HARTEN Modus eingestellt. Die Zwischenpositionen zwischen den drei Modi können für eine feinere Druckstufeneinstellung genutzt werden. Fox empfiehlt, den Hebel zu Beginn auf den Modus Open einzustellen.

### DRUCKSTUFENEINSTELLUNG (34 AWL SPORT RAIL)

Die am Rise SL verbaute Gabel Fox 34 AWL Sport verfügt über keine Druckstufeneinstellung.

### LUFTVOLUMEN-SPACER

Durch Ändern der Anzahl der Luftvolumen-Spacer kannst du das Federverhalten der Gabel noch weiter feintunen.

Spacer-Konfiguration bei Fox 34 Float Performance Gabeln		
Federweg	Werkseitig verbaute Spacer	Max. Anzahl an 10-cm <sup>3</sup> -Spacern
140 mm	1	5

Spacer-Konfiguration bei Fox 34 AWL Sport Gabeln		
Federweg	Werkseitig verbaute Spacer	Max. Anzahl Spacer
140 mm	3	4

### FOX 36 FLOAT GABELN

Bezüglich der bei den verschiedenen Modellen verbauten Federgabeln ziehe die Benutzerhandbücher des Herstellers zu Rate.

Durch Anklicken folgender Links gelangst du zur Herstellerdokumentation:

[Übersichtsseite Fox Handbücher](#)

[Gabel Fox 36 Float Performance Grip 160 mm](#)

[Gabel Fox 36 Float Factory Grip X 160 mm](#)

[Gabel Fox 36 Float AWL HD Sport RAIL 160 mm](#)

Die folgenden Tabellen bieten Richtwerte. Sie können je nach Fahrstil und Geländebeschaffenheit variieren.

### EMPFOHLENER AUSGANGSLUFTDRUCK FÜR DIE SAG-EINSTELLUNG BEI FOX 36 GABELN

Gewicht Fahrer:in		Luftdruck (psi)	
(lbs)	(kg)	36 Float Performance GRIP/ Factory GRIP X	36 Float AWL HD Sport RAIL
120 - 130	54 - 59	66	71
130 - 140	59 - 64	70	76
140 - 150	64 - 68	74	81
150 - 160	68-73	78	85
160-170	73-77	82	90
170-180	77-82	86	95
180-190	82-86	89	99

Gewicht Fahrer:in		Luftdruck (psi)	
(lbs)	(kg)	36 Float Performance GRIP/ Factory GRIP X	36 Float AWL HD Sport RAIL
190–200	86–91	94	104
200–210	91–95	99	109
210–220	95–100	105	113
220–230	100–104	109	115
230–240	104–109	113	117
240–250	109–113	117	120

### EMPFOHLENE SAG-MESSUNGEN

Federweg	15 % SAG (hart)	20 % SAG (sanft)
160 mm/5,5 in	24 mm/0,9 in	32 mm/1,3 in

### EMPFOHLENE ZUGSTUFENEINSTELLUNGEN FÜR FOX 36 FLOAT GABELN

Die Zugstufeneinstellung ist abhängig vom Luftdruck. Je höher der Luftdruck, desto weiter sollte die Zugstufenregelung geschlossen sein.

Ermittle die Zugstufeneinstellung anhand des endgültigen Luftdrucks deiner Gabel. Drehe den Einstellknopf für die Zugstufe auf die geschlossene Position (im Uhrzeigersinn). Drehe anschließend so viele „Klicks“ gegen den Uhrzeigersinn wie in der Tabelle angegeben.

Gewicht Fahrer:in		Zugstufeneinstellung („Klicks“)		
(lbs)	(kg)	36 Float Perf. GRIP	36 Float Fact. GRIP X (LSR)	36 Float AWL HD Sport RAIL
120 - 130	54 - 59	13	16	10
130 - 140	59 - 64	12	14	9
140 - 150	64 - 68	11	12	9
150 - 160	68 - 73	10	10	8
160 - 170	73 - 77	9	9	8
170 - 180	77 - 82	8	8	7
180 - 190	82 - 86	7	7	7
190 - 200	86 - 91	6	6	6
200 - 210	91 - 95	5	5	5
210 - 220	95 - 100	4	4	3
220 - 230	100 - 104	3	3	2
230 - 240	104 - 109	2	2	1
240 - 250	109 - 113	1	1	1

### DRUCKSTUFENEINSTELLUNG (36 GRIP)

**3-Wege-Hebel mit Feinverstellung:** Der 3-Wege-Hebel ist nützlich, um schnelle Anpassungen vorzunehmen und das Federverhalten der Gabel bei Veränderungen des Geländes zu regeln. Er ist für Einstellungen während der Fahrt vorgesehen. Bei

Hebeldrehung auf Linksanschlag wird die Druckstufe auf den OFFENEN Modus eingestellt. Bei Einstellung des Hebels auf eine mittlere Position befindet sich die Gabel im MITTLEREN Modus. Bei Hebeldrehung auf Rechtsanschlag wird die Druckstufe auf den HARTEN Modus eingestellt. Die Zwischenpositionen zwischen den drei Modi können für einen feinere Druckstufeneinstellung genutzt werden. Fox empfiehlt, den Hebel zu Beginn auf den Modus Open einzustellen.

### DRUCKSTUFENEINSTELLUNG (36 GRIP X)

Die Einstellungen in der folgenden Tabelle können als Ausgangspunkt verwendet werden. Drehe den Druckstufeneinstellknopf auf die komplett geschlossene Position (im Uhrzeigersinn). Drehe anschließend so viele „Klicks“ gegen den Uhrzeigersinn wie in der Tabelle angegeben.

Von der empfohlenen Ausgangsposition aus führt ein Öffnen der Druckstufe (gegen den Uhrzeigersinn) zu einer weicher ansprechenden Gabel, ein Schließen der Druckstufe (im Uhrzeigersinn) zu einer fester ansprechenden Gabel.

Empfohlene Ausgangsposition für die Druckstufe („Klicks“)	
<b>High-Speed-Druckstufe (HSC)</b> Kontrolliert das Verhalten bei stärkeren Stößen, Landungen nach Sprüngen und an rechteckigen Hindernissen.	10
<b>Low-Speed-Druckstufe (LSC)</b> Kontrolliert das Verhalten beim Pedalieren sowie bei Gewichtsverlagerungen, Sprüngen und langsamem Schalten	10

### DRUCKSTUFENEINSTELLUNG (36 AWL HD SPORT RAIL)

Die am Rise SL verbaute Gabel Fox 34 AWL Sport verfügt über keine Druckstufeneinstellung.

### LUFTVOLUMEN-SPACER:

Durch Ändern der Anzahl der Luftvolumen-Spacer kannst du das Federverhalten der Gabel noch weiter feintunen.

Spacer-Konfiguration bei Fox 36 Float Gabeln		
Federweg	Werkseitig verbaute Spacer	Max. Anzahl an 10-cm <sup>3</sup> -Spacern
160 mm	2	6

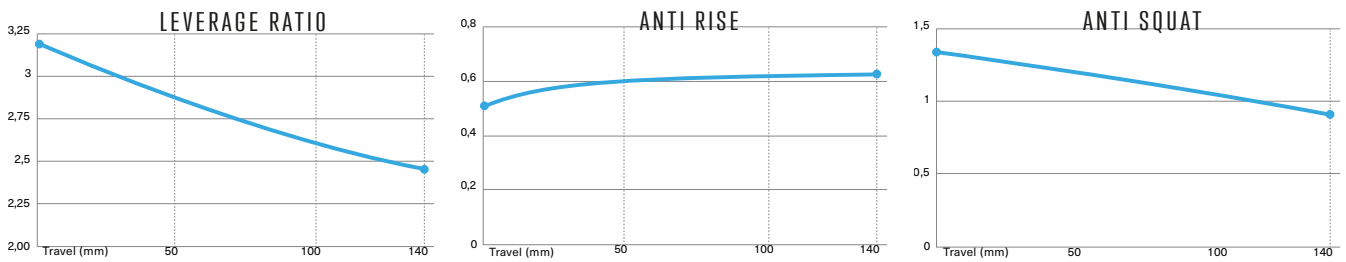
  

Spacer-Konfiguration bei Fox 36 AWL HD Sport Gabeln		
Federweg	Werkseitig verbaute Spacer	Max. Anzahl Spacer
140 mm	3	6

## EINSTELLEN DER DÄMPFER

### DÄMPFEREINSTELLUNG AM RISE SL

#### FAHRWERKSKINEMATIKKURVEN FÜR DAS RISE SL



Bezüglich der bei den verschiedenen Modellen verbauten Federelemente siehe die Benutzerhandbücher der jeweiligen Hersteller.

Durch Anklicken folgender Links gelangst du zur Herstellerdokumentation:

[Übersichtsseite Fox Handbücher](#)

[2025 Fox Float Performance](#)

#### DATEN ZU FOX DÄMPFERN AM RISE SL

FOX FLOAT PERFORMANCE 210 x 50	2025, FLOAT, P-S, A, 2pos, Evol LV, Orbea, Rise SL, 210, 50, 0,6 Spacer, CM1.1, SCLRM5, CML
--------------------------------	---

#### EMPFEHLUNGEN FÜR DIE LUFTDRUCKEINSTELLUNG VON FOX FLOAT DÄMPFERN AM RISE SL

Stelle den Dämpferluftdruck bis zum Erreichen des SAG-Zielwerts ein. Den SAG immer mit der Druckstufeneinstellung in der Position Open messen.

Die folgende Tabelle bietet Richtwerte, die je nach Fahrstil und Geländebedingungen abweichen können.

Empfohlener SAG-Wert	25–30 %
Entsprechung in mm zu 25 % SAG bei einem 210 x 50-Dämpfer	13 mm.
Entsprechung in mm zu 30 % SAG bei einem 210 x 50-Dämpfer	15 mm.

Stelle den Dämpferluftdruck bis zum Erreichen des SAG-Zielwerts ein. Ein 25%iger SAG sorgt für ein strafferes Gefühl mit mehr Unterstützung, ein 30%iger SAG ergibt dagegen ein weicheres Fahrgefühl.

#### EMPFEHLUNGEN ZUR EINSTELLUNG DER ZUGSTUFE AM RISE SL FÜR FOX FLOAT DÄMPFER

Sobald der gewünschte Sag erreicht ist, die Zugstufe entsprechend dem Luftdruck im Dämpfer einstellen.

Ermittle die Zugstufeneinstellung anhand des endgültigen Luftdrucks deines Dämpfers. Drehe den Einstellknopf für die Zugstufe oder Druckstufeneinstellung auf die geschlossene Position (auf Rechtsanschlag drehen). Drehe anschließend so viele „Klicks“ gegen den Uhrzeigersinn wie nachfolgend angegeben.

Luftdruck (psi)	Empfohlene Zugstufeneinstellung (Klicks)
< 100	10
100–120	10
120–140	9
140–160	8
160–180	7
180–200	6
200–220	5
220–240	4
240–260	3
260–280	2
280–300	1

## EINSTELLUNG DER DRUCKSTUFE FÜR FOX FLOAT DÄMPFER AM RISE SL

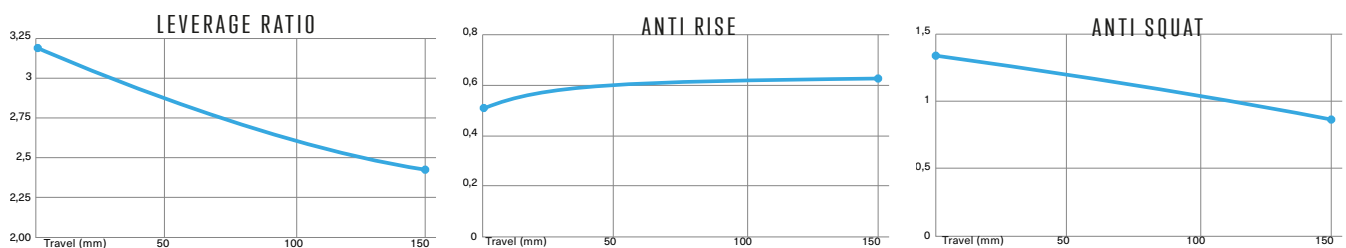
**2-Positionen-Hebel:** Der 2-Positionen-Hebel eignet sich gut für sofortige Einstellungen des Dämpferverhaltens bei deutlichen Veränderungen des Terrains. Der Open-Modus bietet sich für technische Downhills an, der Firm-Modus für mehr oder weniger gleichmäßige Anstiege. Fox empfiehlt die Position Open als Ausgangsstellung.

## LUFTVOLUMEN-SPACER AN FOX FLOAT DÄMPFERN

Du kannst die Progression der Luftkammer deines Dämpfers mithilfe von Volumenspacern einstellen, die bei einem autorisierten Fox Fachhandel erhältlich sind.

## DÄMPFEREINSTELLUNG AM RISE LT

### FAHRWERKSKINEMATIKKURVEN FÜR DAS RISE LT



Bezüglich der bei den verschiedenen Modellen verbauten Federelemente siehe die Benutzerhandbücher der jeweiligen Hersteller.

Durch Anklicken folgender Links gelangst du zur Herstellerdokumentation:

[Übersichtsseite Fox Handbücher](#)

[2025 Fox Float Performance/Factory](#)

[2025 Fox Float X Performance/Factory](#)

[2025 Fox DHX Factory](#)

## DATEN ZU FOX DÄMPFERN AM RISE LT

FOX FLOAT DPS PERFORMANCE 210 x 55	2025, FLOAT, P-S, A, 2pos, Evol LV, Orbea, Rise LT, 210, 55, 0,6 Spacer, CM1.1, SCLRM5, CML.
FOX FLOAT X PERFORMANCE 210 x 55	2025, FLOAT X, P-S, A, 2pos, Evol LV, Orbea, Rise LT, 210, 55, 0,5 Spacer, CS30, RL60, LML, Rezi B40
FOX FLOAT X FACTORY 210 x 55	2025, FLOAT X, F-S, K, 2pos-Adj, Evol LV, Orbea, Rise LT, 210, 55, 0,5 Spacer, CS30, RL60, LML, Rezi B40
FOX DHX FACTORY I-LINE 210 x 55	2025, DHX, F-S, Cr, 2pos-Adj, Orbea, Rise LT, 210, 55, 400lbs/in, SLS, CS40, RL60, LMM, Rezi B60

## EMPFEHLUNGEN FÜR DIE LUFTDRUCKEINSTELLUNG DES FOX FLOAT / FLOAT X DÄMPFERS

Stelle den Dämpferluftdruck bis zum Erreichen des SAG-Zielwerts ein. Den SAG immer mit der Druckstufeneinstellung in der Position Open messen.

Die folgende Tabelle bietet Richtwerte, die je nach Fahrstil und Geländebedingungen abweichen können.

Empfohlener SAG-Wert	25–30 %
Entsprechung in mm zu 25 % SAG bei einem 210 x 55-Dämpfer	14 mm.
Entsprechung in mm zu 30 % SAG bei einem 210 x 55-Dämpfer	17 mm.

Stelle den Dämpferluftdruck bis zum Erreichen des SAG-Zielwerts ein. Ein 25%iger SAG sorgt für ein strafferes Gefühl mit mehr Unterstützung, ein 30%iger SAG ergibt dagegen ein weicheres Fahrgefühl.

## EMPFEHLUNGEN ZUR EINSTELLUNG DER ZUGSTUFE AM RISE LT FÜR FOX FLOAT-Y UND FLOAT X DÄMPFER

Sobald der gewünschte Sag erreicht ist, die Zugstufe entsprechend dem Luftdruck im Dämpfer einstellen.

Ermittle die Zugstufeneinstellung anhand des endgültigen Luftdrucks deines Dämpfers. Drehe den Einstellknopf für die Zugstufe oder Druckstufeneinstellung auf die geschlossene Position (auf Rechtsanschlag drehen). Drehe anschließend so viele „Klicks“ gegen den Uhrzeigersinn wie nachfolgend angegeben.

Luftdruck (psi)	Empfohlene Zugstufeneinstellung (Klicks)
< 100	10
100–120	10
120–140	9
140–160	8
160–180	7
180–200	6
200–220	5
220–240	4
240–260	3
260–280	2
280–300	1



## EINSTELLUNG DER DRUCKSTUFE FÜR FOX FLOAT DÄMPFER AM RISE LT

**2-Positionen-Hebel:** Der 2-Positionen-Hebel eignet sich gut für sofortige Einstellungen des Dämpferverhaltens bei deutlichen Veränderungen des Terrains. Der Open-Modus bietet sich für technische Downhills an, der Firm-Modus für mehr oder weniger gleichmäßige Anstiege. Fox empfiehlt die Position Open als Ausgangsstellung.

**Einstellung des Open-Modus (Factory Float):** Diese Einstellung dient zur Regulierung des Dämpferverhaltens bei Verlagerungen des Fahrergewichts, beim Springen und bei allmählicher Geländeänderung. Hebe das Stellrad für den Open-Modus an, stelle es auf eine der verfügbaren Positionen ein (1, 2, 3) und drücke es hinunter, um die Positionseinstellung zu fixieren. Fox empfiehlt die Position 1 als Ausgangsstellung.

## EINSTELLUNG DER DRUCKSTUFE FÜR FOX FLOAT X DÄMPFER

**2-Positionen-Hebel:** Der 2-Positionen-Hebel eignet sich gut für sofortige Einstellungen des Dämpferverhaltens bei deutlichen Veränderungen des Terrains. Der Open-Modus bietet sich für technische Downhills an, der Firm-Modus für mehr oder weniger gleichmäßige Anstiege. Fox empfiehlt die Position Open als Ausgangsstellung. In der Position Open sind die Einstellungen der Low-Speed-Druckstufe (LSC) wirksam.

**LSC (LOW-SPEED-DRUCKSTUFE):** Das LSC-Stellrad ermöglicht die Einstellung der Low-Speed-Druckstufe. Zur Erhöhung der Druckstufe das Stellrad im Uhrzeigersinn und zur Verminderung der Druckstufe das Stellrad gegen den Uhrzeigersinn drehen. Fox empfiehlt die Position Open (Stellrad bis zum Anschlag im Uhrzeigersinn gedreht) als Ausgangsposition.

LSC-Druckstufeneinstellungen sind nur wirksam, wenn der 2-Positionen-Druckstufenhebel in der Position Open steht.

## LUFTVOLUMEN-SPACER AN FOX FLOAT X DÄMPFERN

Du kannst die Progression der Luftkammer deines Dämpfers mithilfe von Volumenspacern einstellen, die bei einem autorisierten Fox Fachhandel erhältlich sind.

Größe	Werkseitig verbautes Spacervolumen	Maximales Spacervolumen
210 x 55	0,5	1,0

## EMPFEHLUNGEN ZUR EINSTELLUNG DER DÄMPFERVORSPANNUNG AN DHX-DÄMPFERN

Die folgende Tabelle bietet Richtwerte, die je nach Fahrstil und Geländebedingungen abweichen können.

Empfohlener SAG-Wert	30 %
Entsprechung in mm zu 30 % SAG bei einem 210 x 55-Dämpfer	16,5 mm

## EINSTELLUNG DER DRUCKSTUFE FÜR FOX DHX DÄMPFER

**2-Positionen-Hebel:** Der 2-Positionen-Hebel eignet sich gut für sofortige Einstellungen des Dämpferverhaltens bei deutlichen Veränderungen des Terrains. Der Open-Modus bietet sich für technische Downhills an, der Firm-Modus für mehr oder weniger gleichmäßige Anstiege. Fox empfiehlt die Position Open als Ausgangsstellung. In der Position Open sind die Einstellungen der Low-Speed-Druckstufe (LSC) wirksam.

**LSC (LOW-SPEED-DRUCKSTUFE):** Das LSC-Stellrad ermöglicht die Einstellung der Low-Speed-Druckstufe. Zur Erhöhung der Druckstufe das Stellrad im Uhrzeigersinn und zur Verminderung der Druckstufe das Stellrad gegen den Uhrzeigersinn drehen. Fox empfiehlt die Position Open (Stellrad bis zum Anschlag im Uhrzeigersinn gedreht) als Ausgangsposition.

LSC-Druckstufeneinstellungen sind nur wirksam, wenn der 2-Positionen-Druckstufenhebel in der Position Open steht.

## ZUGSTUFENEINSTELLUNG BEI FOX DHX DÄMPFERN

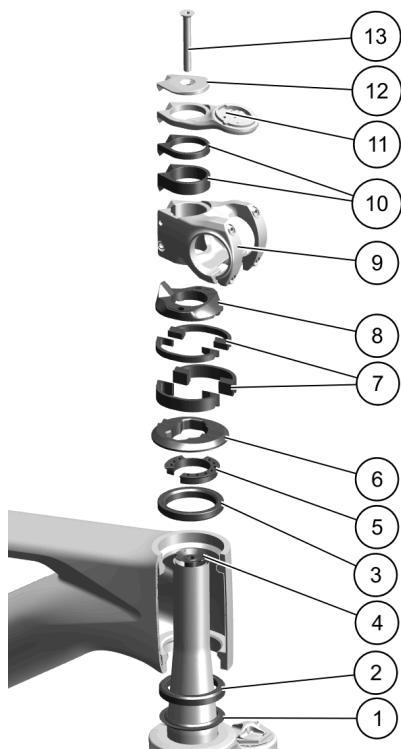
Das Zugstufen-Stellrad regelt, wie schnell der Dämpfer nach dem Einfedern wieder ausfedert. Durch Drehen des Zugstufen-Stellrads im Uhrzeigersinn verlangsamt sich das Ausfedern des Dämpfers, durch Drehen gegen den Uhrzeigersinn wird es beschleunigt. Fox empfiehlt die Mittelstellung des Stellrads als Ausgangsposition.

# 09 STEUERSATZ HS02

## WARNUNG

In diesem Abschnitt werden die Besonderheiten bei der Montage des ICR HS02-Steuersatzes am Rise behandelt. Eine Übersicht zu diesem Steuersatz-Standard von Orbea sowie Montageanleitungen, Zubehör usw. findest du im gesonderten Handbuch [Orbea ICR Steuersatz-Standards](#) auf unserer Website: (**Support > Handbücher > Technologien**).

## HS02-STEUERSATZELEMENTE AM RISE HYDRO



1. 1-1/2" Gabelkonus
2. Untere Lagerschale 1 1/2"
3. Obere Lagerschale 1-1/2"
4. Spannkralle für Aluminium-Gabelschaft
5. HS02-01 Zentrierring
6. HS02-14 Rahmen-Steuersatzdeckel
7. 5/10 mm HS02-03/04 Steuersatz-Spacer zweiteilig
8. SIC Regular Stack HS02-05 Kabelführung
9. OC Mountain Control Steuersatz (siehe Abschnitt „Steuersatz“ in diesem Handbuch)
10. Steuersatz-Spacer HS02-07/08 (5/10 mm)
11. OC CM-05 GPS-Halterung (siehe gesonderten Abschnitt in diesem Handbuch)
12. Steuersatzkappe MC HS02-31
13. Steuersatz-Vorspannschraube

## WARNUNG

Für die Teilenummern siehe den Ersatzteile-Abschnitt in diesem Handbuch.



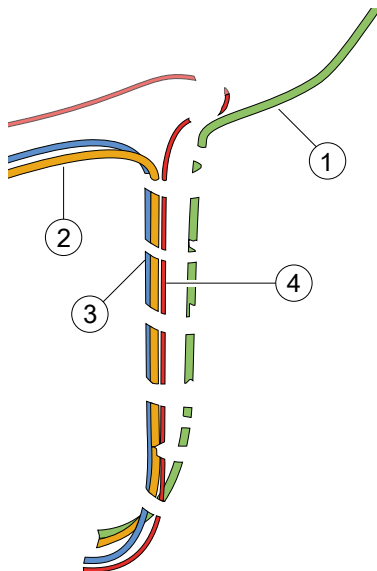
## TECHNISCHE DATEN ZUM HS02-STEUERSATZ DES RISE

ABMESSUNGEN STEUERROHRS	DES	TECHNISCHE DATEN DES STEUERSATZES. RISE 2025	
		OBEN	UNTEN
	<b>TYP</b>	1-1/8" Integriert 1-1/2" Lager SIC 1-1/8" Adapter	1 1/2" Integriert
	<b>ID*</b>	52,1 mm	52,1 mm
	<b>AD**</b>	58 mm	58 mm
	<b>Konuswinkel</b>	45°	45°
	<b>Winkel Zentrierung / Gabelkonus</b>	45°	45°
	<b>SHIS-CODE</b>	IS52/40	IS52/40
	<b>Lagerabmessungen</b>	Schrägkugellager 52x40x7 mm	Schrägkugellager 52x40x7 mm
	<b>OPTION FÜR „LOW STACK“- KABELFÜHRUNG</b>	Nein	—
	<b>SPINBLOCK-FUNKTION (Lenkansschlag)</b>	Nein	—

\* ID: Innendurchmesser des Steuerrohrs.

\*\* AD: Außendurchmesser des Steuerrohrs.

## KABELFÜHRUNG IM HS02-STEUERSATZ AM RISE



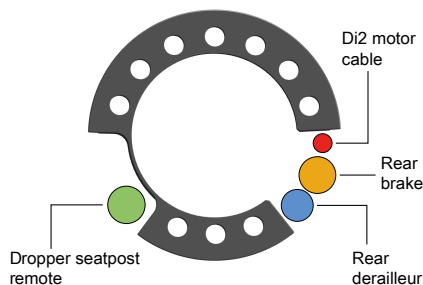
1. Remote-Schalthebel der Vario-Sattelstütze
2. Hinterradbremse\*
3. Schaltwerk (mechanisch)
4. Di2-Motorkabel\*\*

\*Bei Aufbauten mit Hinterradbremshebel links wird die Bremsleitung auf der rechten Seite der Kabelführung in den Steuersatz geführt.

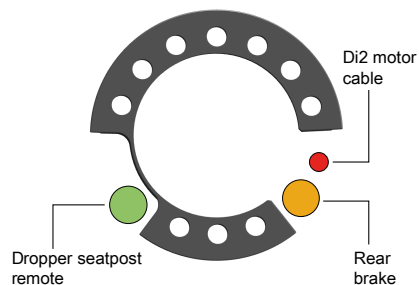
\*\*Für genauere Angaben zur Verkabelung der Shimano-Komponenten durch Vorbau und Lenker siehe den Abschnitt „Komponenten des elektrischen Antriebssystems“.

## POSITION DER KABEL IM STEUERSATZ-ZENTRIERRING

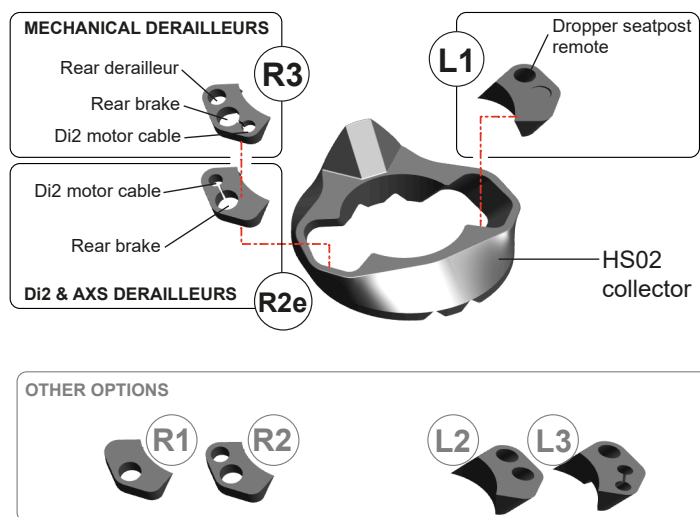
### MECHANISCHES SCHALTWERK



### ELECTRONISCHE SCHALTWERKE (Di2, AXS)



## SIC-DICHTUNGEN FÜR DEN KABELINLASS ZUR HS02-KABELFÜHRUNG



Für genauere Angaben zu den nicht bei Standardaufbauten genutzten Optionen für die SIC-Dichtungen siehe das Handbuch [Orbea ICR Steuersatzstandards](#) auf unserer Website.

## MONTAGE DES STEUERSATZES HS02

### WARNUNG

Die Position der Kabel im Steuersatz und die spezifischen Komponenten für die Montage am Rise werden in den vorherigen Abschnitten dieses technischen Handbuchs beschrieben.

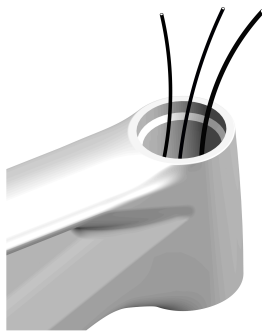
### WARNUNG

Hierbei handelt es sich um eine allgemeine Anleitung zur Montage des HS02-Steuersatzes. Die Montage des HS02-Steuersatzes umfasst auch die Montage der Brems- und Umwerferleitungen an den Hebeln und möglicherweise das Entlüften der hydraulischen Bremsleitungen. Solltest du als Benutzer nicht über die notwendigen mechanischen Kenntnisse verfügen, um diese Arbeiten auszuführen und eine sichere Montage zu gewährleisten, lasse die Montage von einem autorisierten Händler durchführen. Durch unsachgemäße Montage verursachte Schäden an Komponenten sind nicht von der Gewährleistung abgedeckt.



Eine unsachgemäße Montage des Steuersatzes und/oder der Brems- und Schaltzüge kann zu Unfällen und schweren oder tödlichen Verletzungen führen.

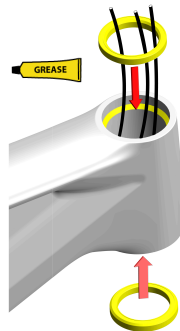
1



1. Die Leitungen von Hinterradbremse, Variostütze, Dämpfer und Schaltwerk (bei mechanischen Antrieben) durch das obere Ende des Steuerrohrs nach außen führen.

Welche Teile durch den Steuersatz verkabelt werden, ist abhängig vom spezifischen Aufbau. Für genaue Angaben zu den durch den HS02-Steuersatz verkabelten Komponenten siehe die vorherigen Abschnitte.

2



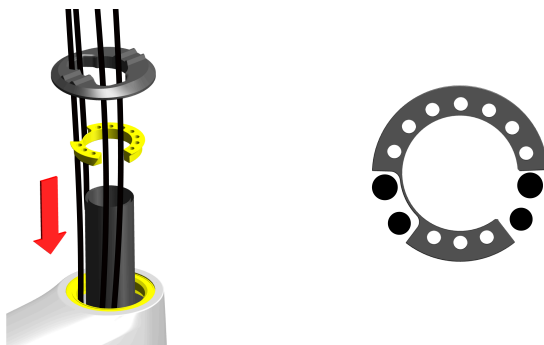
2. Trage Montagefett auf die Lagergehäuse am Rahmen und die oberen und unteren Steuerrohrlager auf und montiere diese in den Rahmen, wobei du die Brems- und Umwerferleitungen durch sie hindurchführst.

3



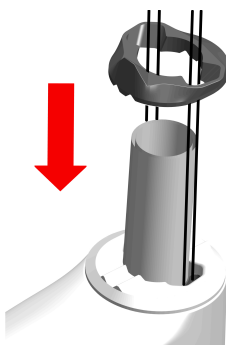
3. Setze die Gabel ein. Nachdem du den unteren Gabelkonus am Gabelschaft montiert und zuvor die Spannkralle (oder den Expander bei Gabeln mit Carbonschaft) zur Befestigung der Vorspannschraube im Gabelschaft montiert hast.

4



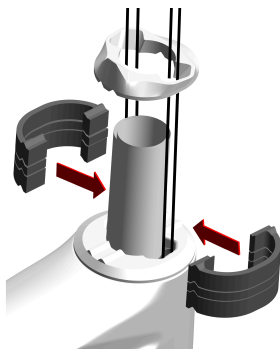
4. Montiere den Zentrierring und führe dabei die Bremsleitungen, Umwerferhüllen usw. durch die Kabelkanäle und zu ihrem Montageplatz am Lenker. Montiere anschließend die Steuersatzkappe. Welche Teile durch den Steuersatz verkabelt werden, ist abhängig vom spezifischen Aufbau. Für genaue Angaben zu den durch den HS02-Steuersatz verkabelten Komponenten siehe die vorherigen Abschnitte.

5



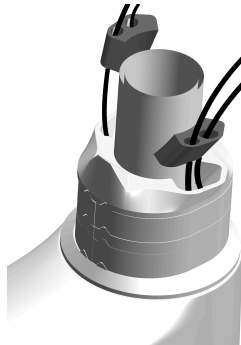
5. Passe die SIC-Kabelführung ein. Bei Verwendung von spezifischen OC-Vorbauten muss die Kabelführung HS02-05 mit speziellem Profil eingesetzt werden. Bei Montage von Standardvorbauten muss die Universal-Kabelführung HS02-06 verwendet werden (siehe den Abschnitt „Ersatzteile“ in diesem Handbuch).

6



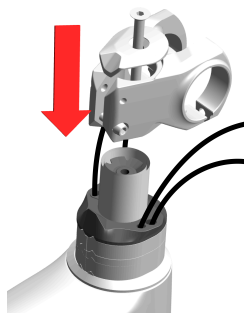
6. Montiere so viele zweiteilige 5- oder 10-mm-Spacer HS02 wie nötig (siehe die maximal zulässige Stapelhöhe der Steuersatz-Spacer unter dem Vorbau für dein Fahrradmodell in der technischen Datentabelle).

7



7. Montiere die spezifischen Verkabelungsgummis für deinen Bike-Aufbau (Siehe Abschnitt „Kabelführung durch den Steuersatz HS02“).

8



8. Montiere den mit dem HS02-Steuersatz kompatiblen OC-Vorbau. Besondere Montageanleitungen für die einzelnen OC-Vorbauten findest du im Abschnitt zu Vorbauten in diesem Handbuch.

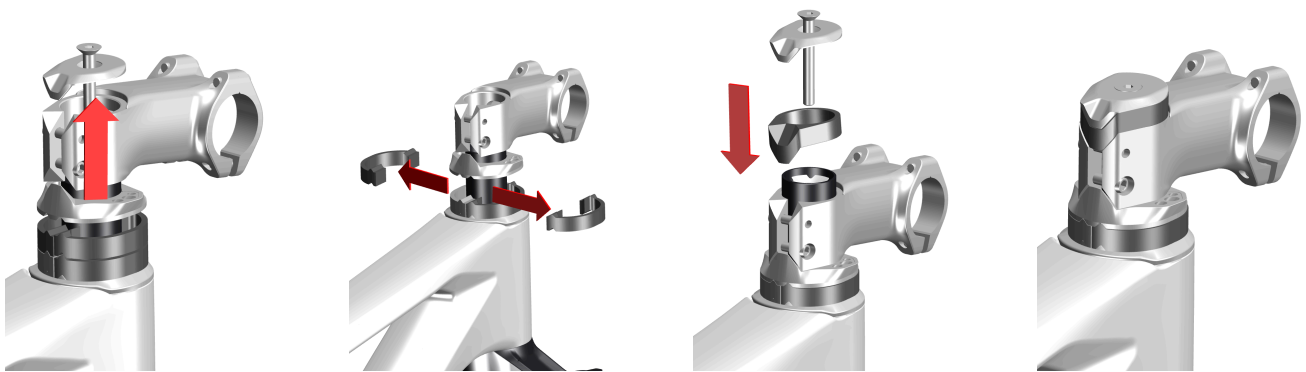
## STEUERSATZ-SPACER HINZUFÜGEN ODER ABNEHMEN.

Bei HS02-Steuersätzen kann die Höhe des Vorbaus durch Hinzufügen oder Abnehmen von Steuersatz-Spacern eingestellt werden. Die 5 und 10 mm hohen Spacer HS02-03 und 04 bestehen aus zwei Hälften und können ohne Beeinträchtigung der Verkabelung montiert oder demontiert werden.

Wenn beim Entfernen von Steuersatz-Spacern unterhalb des Vorbaus der Gabelschaft nicht passend zur neuen Vorbauposition eingekürzt wird, müssen oberhalb des Vorbaus Spacer in der gleichen Höhe in mm angebracht werden, wie unterhalb des Vorbaus entfernt wurden. Die HS02 OC-Vorbauten verfügen über spezielle Spacer für die Montage über dem Vorbau, und zwar die Steuersatz-Spacer HS02-07 und 08.

### WARNUNG

Wenn beim Entfernen von Steuersatz-Spacern unterhalb des Vorbaus der Gabelschaft nicht passend zur neuen Vorbauposition eingekürzt wird, müssen oberhalb des Vorbaus Spacer in der gleichen Höhe in mm angebracht werden, wie unterhalb des Vorbaus entfernt wurden. Die HS02 OC-Vorbauten verfügen über spezielle Spacer für die Montage über dem Vorbau, und zwar die Steuersatz-Spacer HS02-07 und 08.

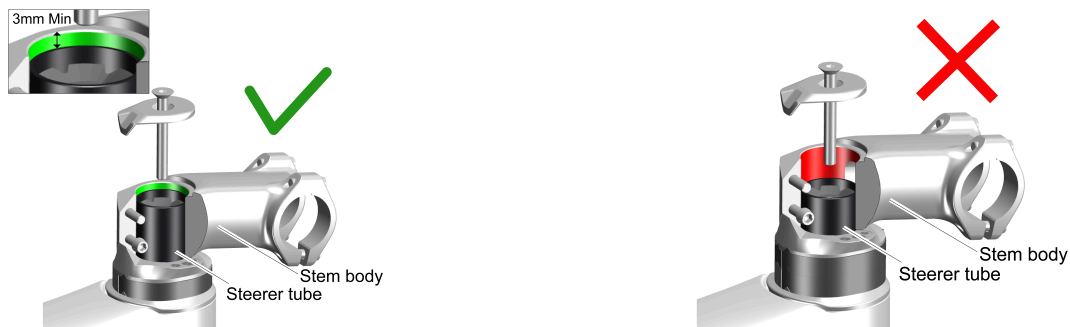


### Maximale Anzahl der Steuersatz-Spacer.

Vergewissere dich, wie viele Steuersatz-Spacer höchstens an deinem Orbea-Modell mit HS02-Steuersatz montiert werden dürfen. Montiere nicht mehr Spacer als für das Modell angegeben sind.

Bei der Montage von Spacern darauf achten, dass die Länge des Gabelschaftes ausreicht, um den Vorbau korrekt und sicher zu montieren, und dass die Länge der Kabel dies zulässt. Die Oberkante des Gabelschaftes muss über der oberen Vorbauklemmschraube liegen. Bei der Montage von Steuersatz-Spacern über dem Vorbau sollte die Oberkante des Gabelschaftes so nah wie möglich an der Oberkante des höchsten Steuersatz-Distanzstücks liegen, aber immer noch die korrekte Montage des Vorbaudeckels zur korrekten Vorspannung des Steuersatzes ermöglichen.

Für die korrekte Einstellbarkeit des Steuersatzes muss der Abstand zwischen der Gabelschaftoberkante und der Montagefläche des Steuersatzdeckels mindestens 3 mm betragen.



### WARNUNG

Zum Hinzufügen oder Abnehmen von Steuersatz-Spacern muss der Vorbau gelöst und wieder montiert werden. Montageanweisungen und Anzugsdrehmomente für die OC-Vorbauten können dem gesonderten Handbuch der OC-MTB-Vorbauten entnommen werden.

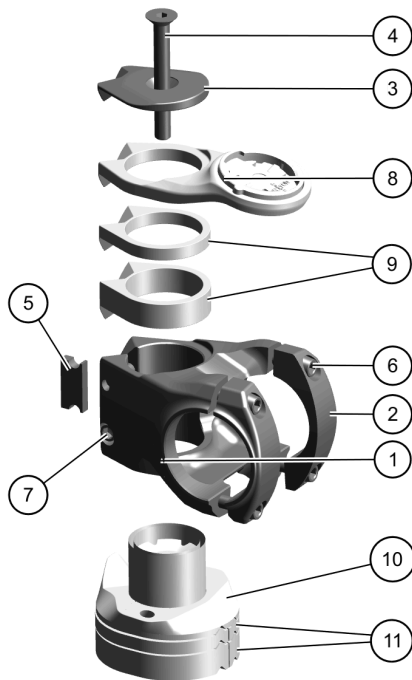


### Verwendung von Spannkralle oder Kompressionsring im Gabelschaft

Zur Fixierung der Steuersatzeinstellschraube muss eine Spannkralle oder ein Expander im Gabelschaft montiert werden. Einen Expander nur bei Gabeln mit Carbonschaft und eine Spannkralle nur bei Gabeln mit Aluminiumschaft verwenden. Die Verwendung anderer als der für die spezifischen Montagezwecke genannten Komponenten kann zu Materialschäden und in der Folge zu Defekten und Unfällen führen. Materialschäden, die durch die Verwendung falscher Komponenten hervorgerufen werden, sind nicht von der Gewährleistung abgedeckt.

# 10 VORBAUTEN

## OC ST-MC10 / ST-MC20 VORBAUTEN. BESTANDTEILE



1. Vorbaukörper
2. Klemmplatte
3. MC Vorbaukappe
4. Steuersatzeinstellschraube
5. Drehmomentbegrenzer Gabelklemmung
6. Klemmplattenbefestigungsschrauben
7. Gabelklemmschrauben
8. GPS-Halterung OC CM-05\*
9. Steuersatz-Spacer HS02-07/08 (5/10 mm)\*\*
10. SIC-Kabelführung
11. 5/10 mm HS02-03/04 Steuersatz-Spacer zweiteilig\*\*

\*Siehe den Abschnitt zu GPS-Halterungen in diesem Handbuch

\*\*Siehe den Abschnitt [Steuersatz](#) in diesem Handbuch

### WARNUNG

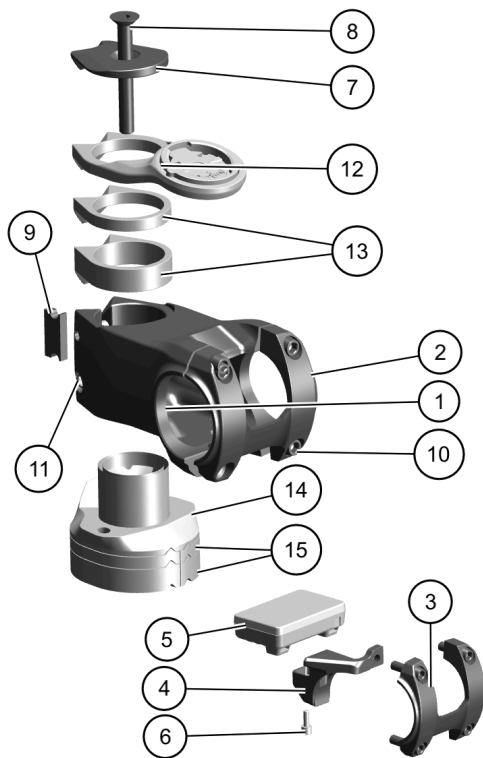
Für die Teilenummern siehe den Ersatzteile-Abschnitt in diesem Handbuch.





## VORBAU OC ST-MC11. BESTANDTEILE

Der Vorbau OC MC11 ist nicht standardmäßig montiert und wird beim Kauf eines Rise Hydro auch nicht als Option angeboten, ist jedoch kompatibel mit dem Rahmen und ist als Aftermarket-Komponente über die Orbea-Website erhältlich.



1. Vorbaukörper
2. Standard-Klemmplatte  
(Aufbauten ohne Shimano-Displayhalterung)
3. Klemmplatte D-EN600  
(Aufbauten mit Halterung für Shimano-Display SC-EN600)
4. Shimano SC-EN600 Displayhalterung  
(mit spezieller Klemmplatte)
5. Shimano Display SC-EN600
6. Schraube für Shimano-Display SC-EN600
7. MC Vorbaukappe
8. Steuersatzeinstellschraube
9. Drehmomentbegrenzer Gabelklemmung
10. Klemmplattenbefestigungsschrauben
11. Gabelklemmschrauben
12. GPS-Halterung OC CM-05\*
13. Steuersatz-Spacer HS02-07/08 (5/10 mm)\*\*
14. SIC-Kabelführung
15. 5/10 mm HS02-03/04 Steuersatz-Spacer zweiteilig\*\*

\*Siehe den Abschnitt zu GPS-Halterungen in diesem Handbuch

\*\*Siehe den Abschnitt [Steuersatz](#) in diesem Handbuch

### WARNUNG

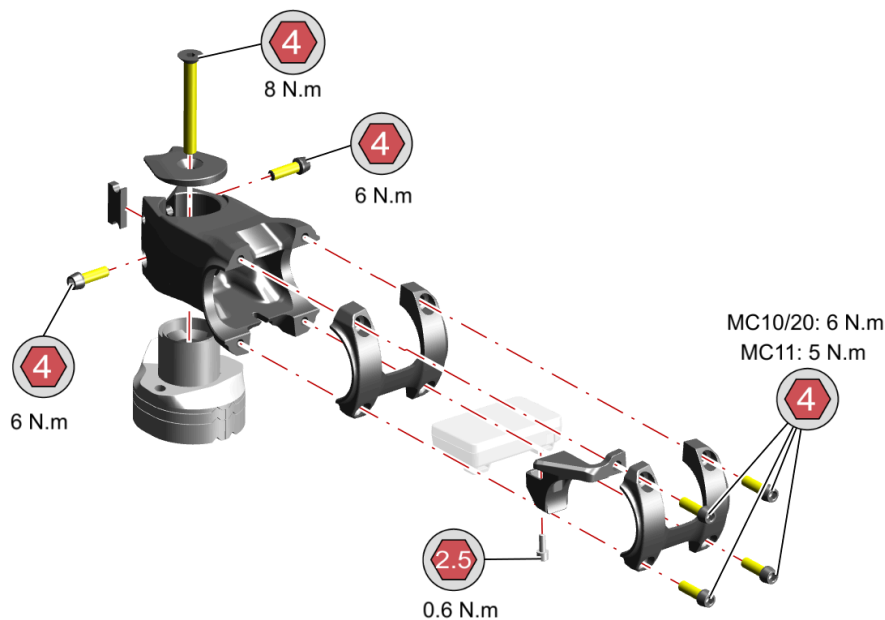
Die Klemmplatte D-EN600 (3) und die SC-EN600 Displayhalterung (4) sind nicht kompatibel für die Montage an den OC-Vorbauten ST-MC-10 und 20. Die Klemmplatte und die Displayhalterung müssen zusammen verwendet werden, eine Montage der Displayhalterung gemeinsam mit der Standard-Klemmplatte des Vorbaus ST-MC11 ist nicht möglich. Für die Teilenummern siehe den Ersatzteile-Abschnitt in diesem Handbuch.

## VORBAUTEN OC MC10/MC11/MC20. TECHNISCHE DATEN

OC-PROGRAMM	Mountain Control
MATERIAL	CNC-gefrästes Aluminium
ORBEA STEUERSATZSTANDARD	HS02 und Standard 1-1/8"-Steuersatz mit Steuersatzkappe HS02-17
Ø GABEL	1 1/8"
Ø LENKER	35 mm
KLEMMHÖHE AM GABELSCHAFTROHR	40 mm

<b>NEIGUNG (WINKEL)</b>	0°
<b>VERFÜGBARE LÄNGEN</b>	MC10/MC20: 35, 40, 50 mm MC11: 35, 40, 50, 60 mm
<b>KABELFÜHRUNG</b>	Interne Verlegung nur kompatibel mit Elektronikabeln.
<b>MIT SPINBLOCK-FUNKTION KOMPATIBEL</b>	Ja. Nur bei Rahmen mit Spinblock-Funktion
<b>MIT SIC-SYSTEM KOMPATIBEL</b>	Ja. Nur bei Rahmen mit Steuersatz HS02
<b>GEWICHT</b>	ST-MC10: 150 g (40 mm)
	ST-MC20: 160 g (40 mm)
	ST-MC11: 192 g (40 mm)
<b>VORBAUDECKEL</b>	Spezialkappe HS02-31 (MC10/20/11)
<b>KOMPATIBLE STEUERSATZ-SPACER</b>	Orbea Rahmen mit Steuersatz HS02: Unter dem Vorbau: Zweiteilige Spacer Spinblock HS02-03/04 (5 und 10 mm). Unter der SIC HS02 Kabelführung
	Rahmen mit 1-1/8"-Steuersatz: Über dem Vorbau: Spinblock-Spacer rund HS02-07/08 (5 und 10 mm)
	Rahmen mit 1-1/8"-Steuersatz: Über und unter dem Vorbau: Spinblock-Spacer rund HS02-07/08 (5 und 10 mm)
<b>FAHRRADCOMPUTERHALTERUNG</b>	OC CM-05. Über dem Vorbau. (5 mm)

## OC ST-MC10, ST-MC20 UND ST-MC11. MONTAGEHILFSMITTEL UND ANZUGSDREHMOMENTE



FARBE	ART DES MONTAGEMITTELS	BESCHREIBUNG
	SCHMIERUNG	FETT: Montagefett zur Vermeidung von Geräusentwicklung und Festsetzen einzelner Teile. Kompatibel mit Carbon- und Aluminiumoberflächen.

**WARNUNG**

Die Klemmplatte D-EN600 und die SC-EN600 Displayhalterung des ST-MC11 sind nicht geeignet für die Montage an den OC-Vorbauten ST-MC-10 und 20. Die Klemmplatte und die Displayhalterung müssen zusammen verwendet werden, eine Montage der Displayhalterung gemeinsam mit der Standard-Klemmplatte des Vorbaus ST-MC11 ist nicht möglich.

**MONTAGE VON OC MOUNTAIN CONTROL VORBAUTEN****WARNUNG**

Für die richtige Kabelführung durch den Steuersatz siehe den Abschnitt über die Montage des HS02-Steuersatzes in diesem Handbuch.

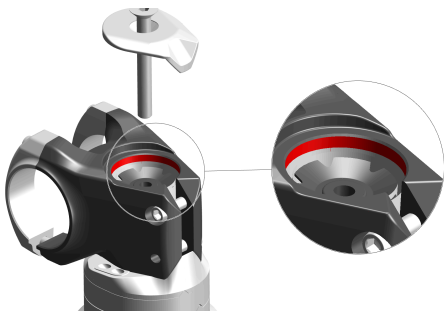
**WARNUNG**

Dies ist ein allgemeiner Montagehinweis für OC MC (Mountain Control) Vorbauten. Für modellspezifische Anzugsdrehmomente und Teile siehe den Abschnitt für das jeweilige Vorbaumodell.

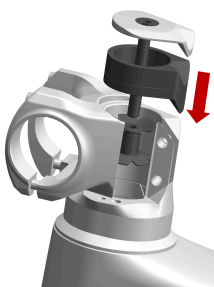
1



2

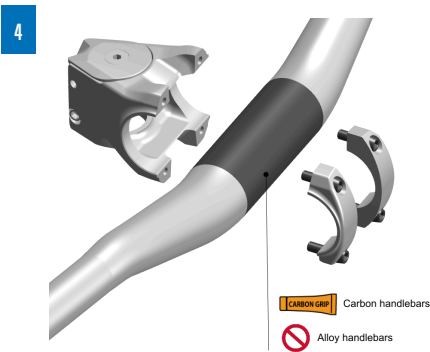


3



1. Die mit der Spinblock-Funktion kompatiblen MC (Mountain Control) Vorbauten sind mit einem Begrenzer im Gabelklemmbereich des Vorbaus ausgestattet, der dafür sorgt, dass das empfohlene Anzugsdrehmoment nicht überschritten wird. Bei der Vorbau montage die korrekte Montage des Anschlags überprüfen. Dieser Begrenzer ist nicht obligatorisch; wenn er nicht vorhanden ist, bitte die Drehomentenanweisungen für die Voprbausrauben des entsprechenden OC-Vorbau modells genau befolgen.
2. Bei bereits montiertem Steuersatz HS02 (siehe Abschnitt Steuersatzmontage) den MC-Vorbau auf den Gabelschaft aufsetzen und dabei dessen hinteres Profil passend zum Profil der spezifischen Kabelführung HS02-05 ausrichten. Darauf achten, dass sich das Gabelschaftrohr über der oberen Vorbauklemmschraube befindet. Für die korrekte Einstellbarkeit des Steuersatzes muss der Abstand zwischen der Gabelschaftoberkante und der Montagefläche des Steuersatzdeckels mindestens 3 mm betragen.
3. Die Montage von einteiligen profilierten Spacern HS02-07 (5 mm) oder HS02-08 (10 mm) über dem Vorbau ist möglich, dabei muss sichergestellt sein, dass die obere Schraube des Steuersatzdeckels stets korrekt in das Gewinde der Steuersatzkralle eingeschraubt werden kann, um eine korrekte Kompression des Steuersatzes zu ermöglichen. Bei Fahrradmodellen ohne Spinblock-Funktion können diese Spacer auch zwischen dem Vorbau und der Kabelführung SIC HS02 verwendet werden.

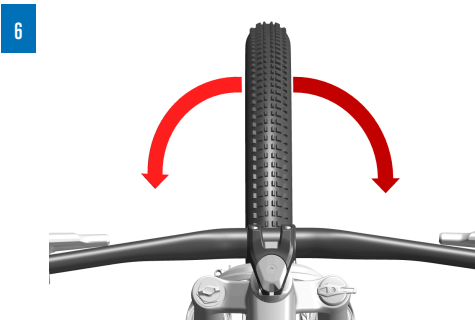
Continues next page >



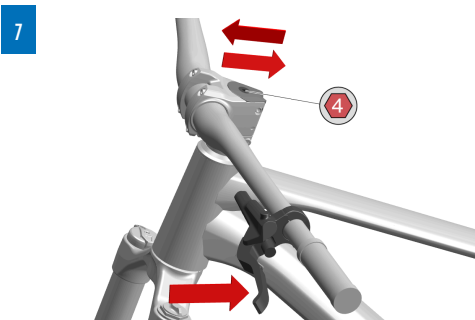
- 4. Bei Montage von Carbonlenkern eine dünne Schicht Carbonmontagepaste auf die Kontaktfläche von Lenker und Vorbau aufbringen. Bei Aluminiumlenkern muss kein Montagemittel zwischen Vorbau und Lenker aufgebracht werden.



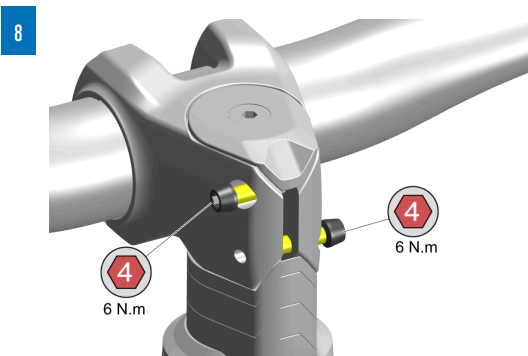
- 5. Bei Vorbauten mit der Kennzeichnung „NO GAP“ müssen die Klemmschrauben an den mit „NO GAP“ gekennzeichneten Punkten zuerst angezogen werden, bis Klemmplatte und Vorbaukörper Kontakt miteinander bekommen. Anschließend die gegenüberliegenden Schrauben mit dem angegebenen Drehmoment endgültig festziehen. Zum Abschluss die Anzugsdrehmomente der vier Klemmschrauben kreuzweise überprüfen, bis die empfohlenen Anzugsdrehmomente erreicht sind.



- 6. Nach Montage von Lenker und Vorbau den Vorbau fluchtend zum Vorderrad ausrichten.



- 7. Ziehe die Vorbaukappe auf das empfohlene Anzugsdrehmoment an. Bewege das Bike mit gezogener Vorderradbremse leicht vor und zurück und überprüfe so die Spielfreiheit des Steuersatzes. Kontrolliere auch, ob sich der Lenker zu beiden Seiten leichtgängig drehen lässt.

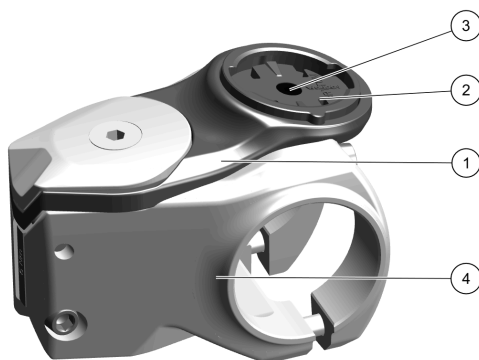


- 8. Montagefett auf die Schrauben der Vorbauklemmung aufbringen und die Schrauben mit dem empfohlenen Drehmoment festziehen.

# 11 GPS-HALTERUNG OC CM-05

Die GPS-Halterung OC CM-05 ist nur mit OC Mountain Control Vorbauten mit HS02-Standard kompatibel, die die Spinblock-Funktion unterstützen (selbst wenn der Rahmen keine Spinblock-Funktion hat).

Orbea Komplettträder mit OC Fahrradcomputerhalterungen verfügen nur über einen Adapter für Garmin-/Sigma-Geräte. Wenn du ein Gerät eines anderen Herstellers verwenden möchtest, musst du dir das Adapter-Kit CT-02 für Garmin/Sigma, Wahoo, Bryton besorgen.

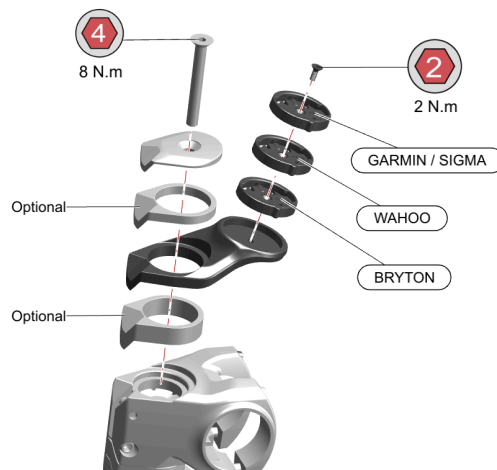


1. Fahrradcomputerhalterung CM-05
2. Adapter-Kit für Garmin/Sigma, Wahoo, Bryton
3. Adapter-Klemmschraube
4. Vorbau Mountain Control

## TECHNISCHE DATEN

MATERIAL	Polymer
GRÖSSE (mm)	83 x 44 x 40 mm.
GEWICHT (g)	13 g
FARBE	Schwarz
KOMPATIBLE OC-VORBAUTEN	OC Mountain Control HS02
GERÄTEKOMPATIBILITÄT	Garmin / Sigma / Bryton / Wahoo

## EXPLOSIONSANSICHT UND ANZUGSDREHMOMENTE



**WARNUNG**

Bei Montage der GPS-Halterung über dem Vorbau muss die Gabelschafthöhe ausreichend sein, um den Vorbau, etwaige Steuersatz-Spacer und die montierte GPS-Halterung aufzunehmen. Für weitere Informationen zur empfohlenen Gabelschafthöhe am Vorbau siehe den Abschnitt „Vorbauten“ in diesem Handbuch.

**WARNUNG**

Orbea erinnert an die Empfehlung der GPS-Gerätehersteller, die mit Fahrradcomputern mitgelieferte Sicherheitsleine zu verwenden und am Lenker zu befestigen, damit das Gerät im Falle eines Sturzes oder Unfalls nicht beschädigt wird oder verloren geht.



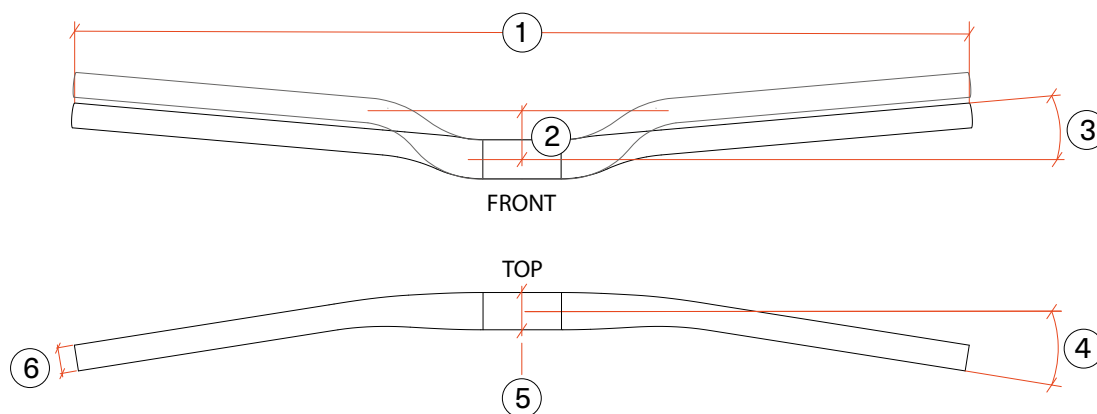
# 12 LENKER

## TECHNISCHE DATEN ZU OC-LENKERN

Das Gesamtprogramm unserer OC-Lenker findest du auf unserer Website: [Equipment > OC-Komponenten > Lenker](#)

### TECHNISCHE DATEN ZU OC-LENKERN AM RISE

	MATERI-AL	BREITE (1)	RISE (2)	UPSWEEP (3)	BACK-SWEEP (4)	Ø VORBAU-KLEM-MUNG (5)	Ø ENDEN (6)	GEWICHT	VORGESE-HENER EINSATZ-ZWECK
<b>HB-MC10</b>	Carbon	800 mm	20/35 mm	5°	8°	35 mm	22,2 mm	ca. 225 g	Trail/Enduro. ASTM5
<b>HB-MC21</b>	AL7050	800 mm	20 mm	5°	8°	35 mm	22,2 mm	ca. 325 g	Trail/Enduro. ASTM5
<b>HB-MC31</b>	AL6069	800 mm	20 mm	3°	9°	35 mm	22,2 mm	ca. 385 g	Trail/Enduro. ASTM5

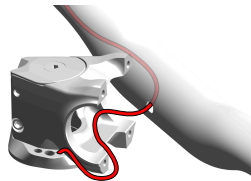


## INTERNE VERKABELUNG DER ELECTRONISCHEN KOMPONENTEN

Die angegebenen OC-Lenker ermöglichen in Kombination mit den OC-Mountain-Control-Vorbauten eine interne Verkabelung der elektrischen Antriebssystemkomponenten wie der Taste SW-EN600. Siehe den Abschnitt „Kabelführung für Shimano-Komponenten an Vorbau und Lenker“ in diesem Handbuch, um dich über die Montage und Verkabelung der einzelnen Optionen zu informieren.

### WARNUNG

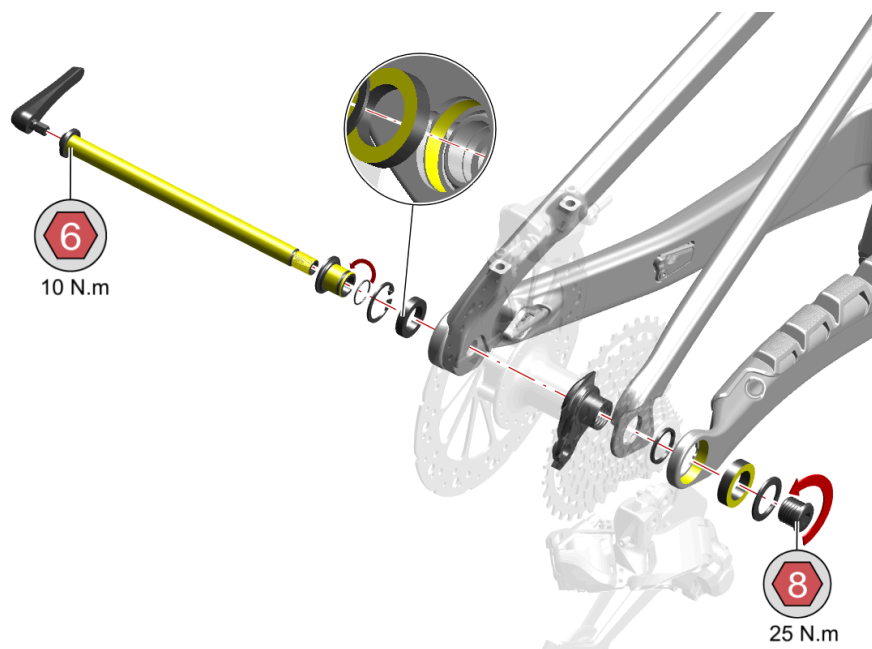
Bei einem Austausch des ursprünglich verbauten OC-Lenkers muss ein neuer Lenker montiert werden, der für die interne Verlegung elektronischer Komponenten vorbereitet ist. Anderenfalls müssen die Kabel für diese Komponenten an den Außenseiten von Lenker und Vorbau geführt werden.



# 13 RADACHSEN UND SCHALTAUGE

## MONTAGEHILFSMITTEL UND ANZUGSDREHMOMENTE

### HINTERRADACHSE



FARBE	ART DES MONTAGEMITTELS	BESCHREIBUNG
-------	------------------------	--------------

SCHMIERUNG

FETT: Montagefett zur Vermeidung von Geräusentwicklung und Festsetzen einzelner Teile. Kompatibel mit Carbon- und Aluminiumoberflächen.

**WARNUNG**

Für die Teilenummern siehe den Ersatzteile-Abschnitt in diesem Handbuch.

**WARNUNG**

**KOMPATIBILITÄT MIT DEM T-TYPE-SCHALTWERK VON SRAM:** Da das Rise mit dem Sram UDH Universal-Schaltauge ausgestattet ist, bietet es Kompatibilität mit T-Type-Schaltwerken von Sram, die direkt (ohne Schaltauge) am Rahmen montiert werden.

**WARNUNG**

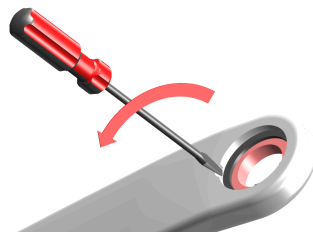
**VORDERRADACHSE:** Die Montageanleitung für die Vorderrad-Steckachse bei Federgabeln wird vom Hersteller der betreffenden Gabel herausgegeben. Siehe hierzu die Gebrauchsanleitung in der Dokumentation des Herstellers.

[Fox 15QR Achse](#)

[Fox Kabolt](#)

## **ENTFERNEN DES SICHERUNGSRINGS FÜR DAS LAGER AM LINKEN AUSFALLENDE**

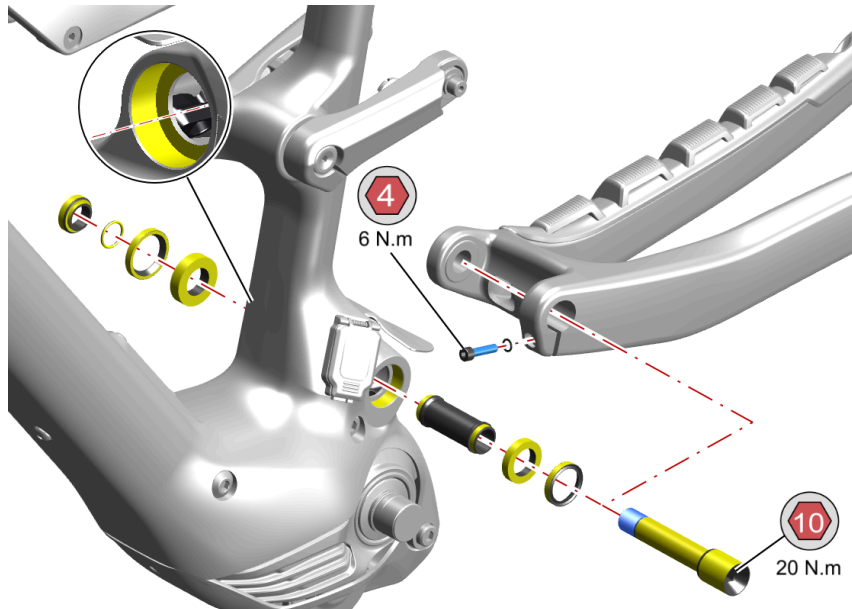
Zum Demontieren des Lagers am linken Drehpunkt muss der Sicherungsring des Lagers entfernt werden. Setze einen kleinen flachen Schraubendreher als Hebel an der dafür vorgesehene Aussparung im Lagergehäuse an und hebele den Sicherungsring aus, nachdem du zuvor den offenen Teil des Sicherungsring in einem Winkel von 90° zur Position der Aussparung positioniert hast. Gehe vorsichtig vor und verwende Klebeband oder ein ähnliches Material, um zu vermeiden, dass die Kettenstrebe beim Entfernen des Sicherungsring mit dem Schraubendreher beschädigt wird.





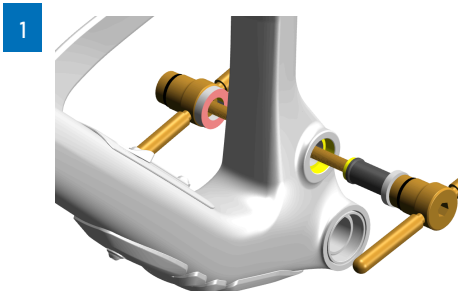
# 14 HAUPTDREHPUNKT DES HINTERBAUS

## MONTAGEHILFSMITTEL UND ANZUGSDREHMOMENTE

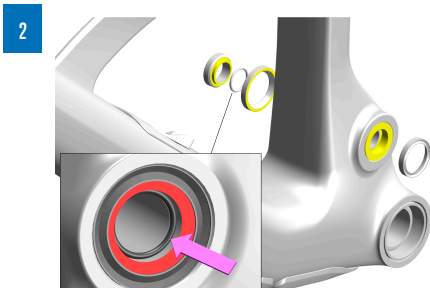


FARBE	ART DES MONTAGEMITTELS	BESCHREIBUNG
Yellow	SCHMIERUNG	FETT: Montagefett zur Vermeidung von Geräuschentwicklung und Festsetzen einzelner Teile. Kompatibel mit Carbon- und Aluminiumoberflächen.
Blue	SICHERUNG	SCHRAUBENSICHERUNG: Mittelfest. Loctite Typ 243

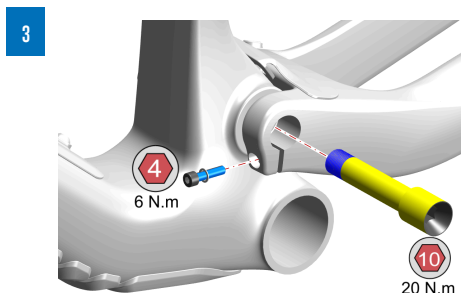
## MONTAGE



1. Montagefett auf die Lagergehäuse am Rahmen und den Spacer auftragen. Eines der Lager in das Spacergehäuse einsetzen. Mit einer Lagerpresse den Spacer mit Lager von der linken und das andere Lager von der rechten Seite aus einsetzen.



2. Fett auf die Außenseiten beider Lager auftragen und die Dichtungen aufsetzen, dabei darauf achten, dass die flache Seite der Dichtung zum Lager zeigt. Auf der rechten Seite den O-Ring wie in der Detailansicht gezeigt positionieren und dann die Hülse einsetzen.



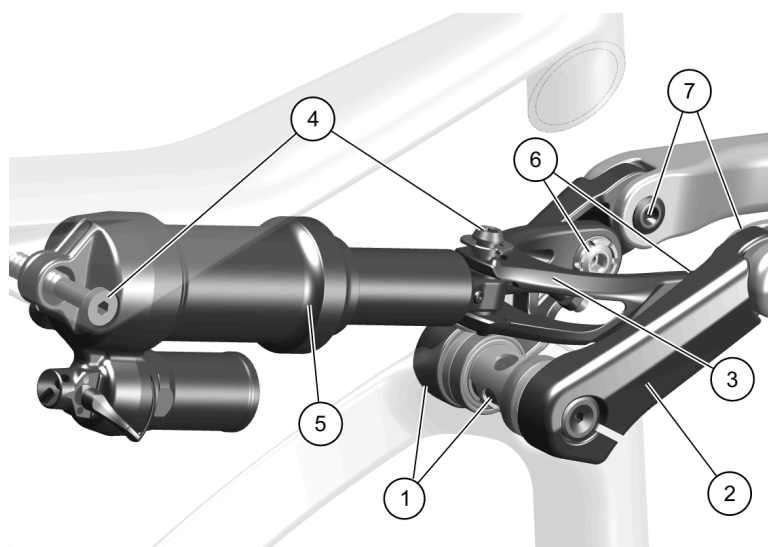
3. Montagefett auf den Achsenkörper und Kopf der Stechachse und mittelfeste Schraubensicherung auf die Gewinde auftragen. Einführen und mit dem angegebenen Drehmoment (20 Nm) festziehen. Anschließend mittelfeste Schraubensicherung auf die linke Kettenstrebenbefestigungsschraube auftragen und diese mit 6 Nm festziehen.

## 15 DÄMPFERWIPPEN- UND DÄMPFERBEREICH

Das Rise SL und LT haben eine identische zweiteilige Dämpferwippe mit einer jeweils modellspezifischen Dämpferverlängerung (SL oder LT), die für unterschiedliche Charakteristiken der beiden Modelle sorgt. Das Dämpfersystem des Rise Hydro SL verwendet eine Dämpferverlängerung aus Aluminium und stellt 140 mm Federweg am Heck bereit, was für eine schnelle Trail-Geometrie mit entsprechender Dämpfung sorgt.

Das Rise LT verwendet eine Dämpferverlängerung aus Aluminium, die 150 mm Federweg am Heck bereitstellt (mit Luft- oder Stahlfederdämpfer) und eine robuste Geometrie für anspruchsvollste Trails ergibt. Außerdem verfügt das Rise LT über ein Quick Flip an der Dämpferverlängerungsbefestigung, mit der die Geometrie in wenigen Sekunden zwischen High und Low umgestellt werden kann, um sie dem Terrain anzupassen. Für nähere Angaben zu den unterschiedlichen Geometrieoptionen siehe den Abschnitt „Geometrie“.

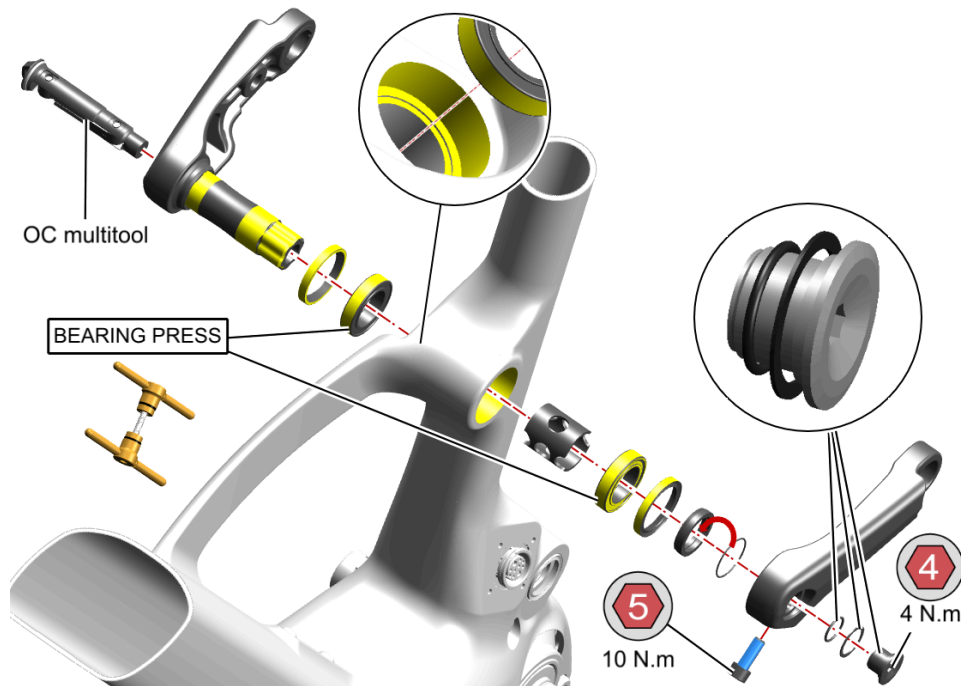
### BESTANDTEILE



1. Rechter Wippenarm + Achse (1 Teil)
2. Linker Arm der Wippe
3. Dämpferverlängerung: (SL oder LT)
4. Dämpferbefestigungsteile (mit Flip Chip am LT)
5. Dämpfer (Stahlfeder oder Luft)  
SL: 210 x 50 mm / LT: 210 x 55 mm
6. Kleinteile Dämpferverlängerung-Wippe
7. Kleinteile Dämpferwippe-Sitzstrebe.

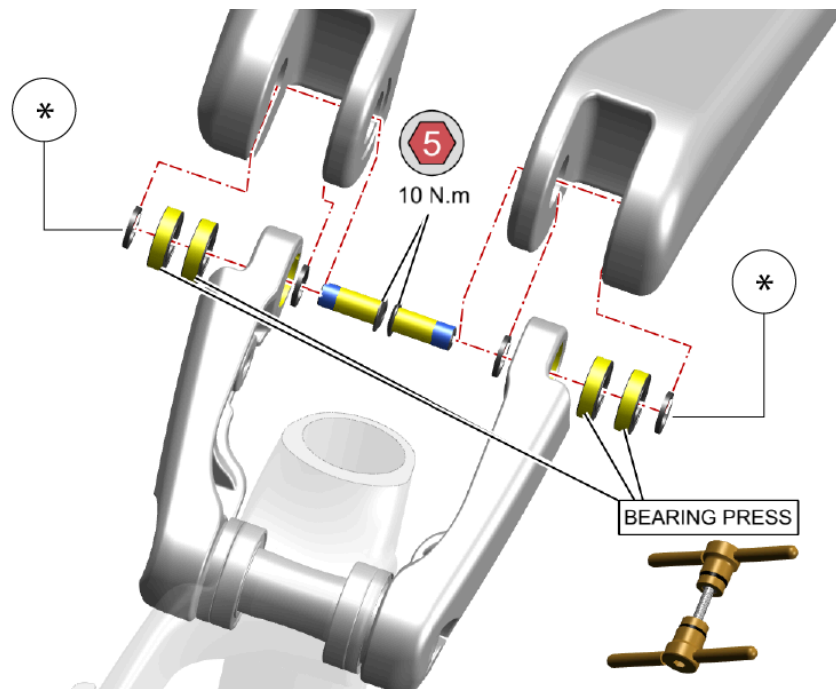
## MONTAGEHILFSMITTEL UND ANZUGSDREHMOMENTE

### DREHPUNKT RAHMEN-HINTERBAU. MONTAGEHILFSMITTEL UND ANZUGSDREHMOMENTE



FARBE	ART DES MONTAGEMITTELS	BESCHREIBUNG
	SCHMIERUNG	FETT: Montagefett zur Vermeidung von Geräusentwicklung und Festsetzen einzelner Teile. Kompatibel mit Carbon- und Aluminiumoberflächen.
	SICHERUNG	SCHRAUBENSICHERUNG: Mittelfest. Loctite Typ 243

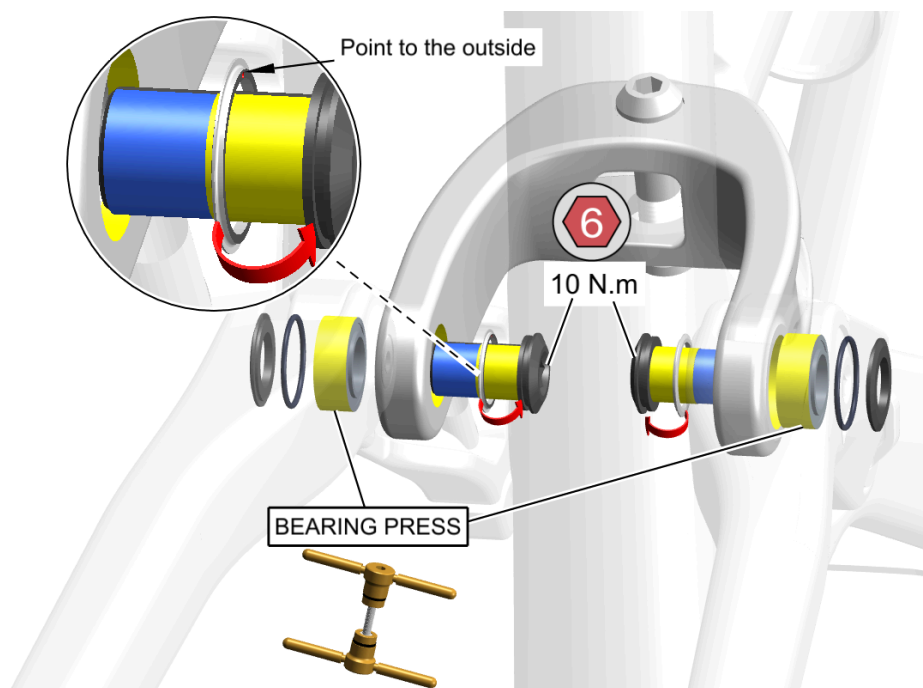
## DREHPUNKT SITZSTREBE-DÄMPFERWIPPE MONTAGEHILFSMITTEL UND ANZUGSDREHMOMENTE



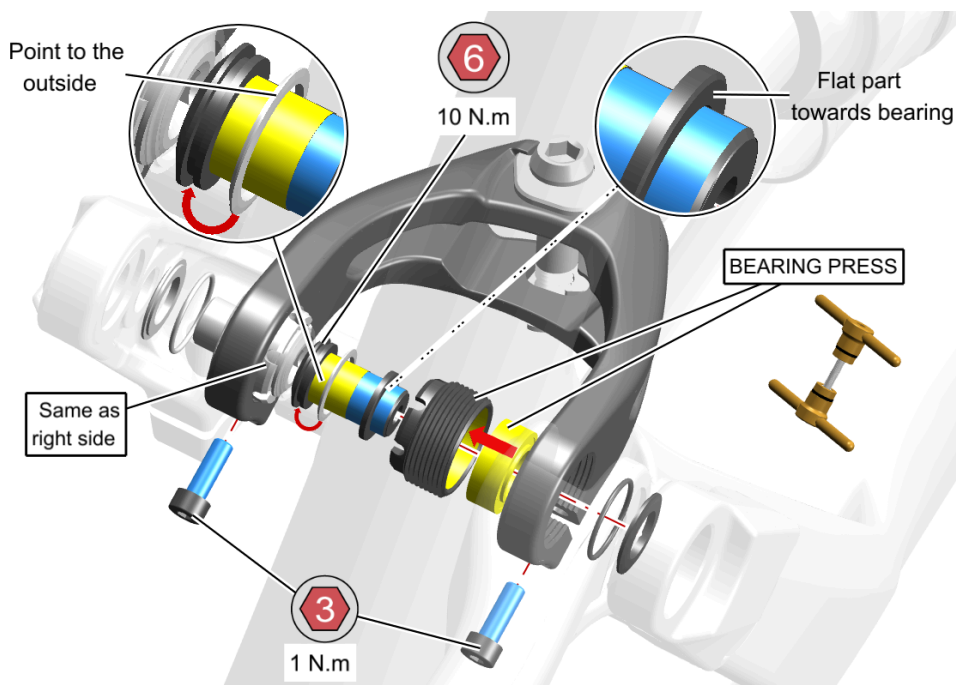
\* Den kleinen Spacer an der Außenseite und den größeren Spacer an der Innenseite der Dämpferwippe positionieren.

FARBE	ART DES MONTAGEMITTELS	BESCHREIBUNG
	SCHMIERUNG	FETT: Montagefett zur Vermeidung von Geräuscentwicklung und Festsetzen einzelner Teile. Kompatibel mit Carbon- und Aluminiumoberflächen.
	SICHERUNG	SCHRAUBENSICHERUNG: Mittelfest. Loctite Typ 243

## SL-DÄMPFERVERLÄNGERUNG. MONTAGEHILFSMITTEL UND ANZUGSDREHMOMENTE

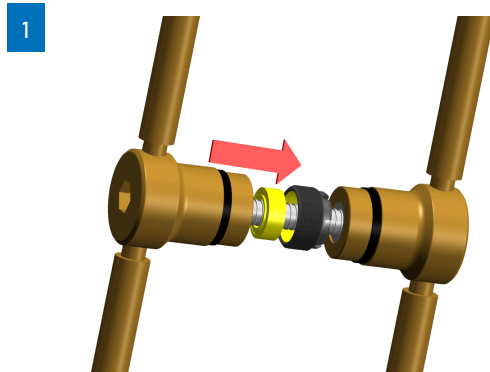


## LT-DÄMPFERVERLÄNGERUNG. MONTAGEHILFSMITTEL UND ANZUGSDREHMOMENTE

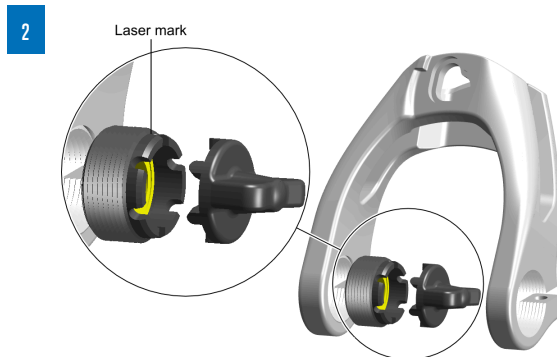


FARBE	ART DES MONTAGEMITTELS	BESCHREIBUNG
	SCHMIERUNG	FETT: Montagefett zur Vermeidung von Geräusentwicklung und Festsetzen einzelner Teile. Kompatibel mit Carbon- und Aluminiumoberflächen.
	SICHERUNG	SCHRAUBENSICHERUNG: Mittelfest. Loctite Typ 243

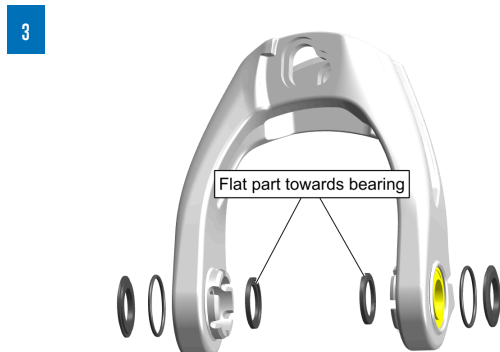
## MONTAGE DER LT-DÄMPFERVERLÄNGERUNG



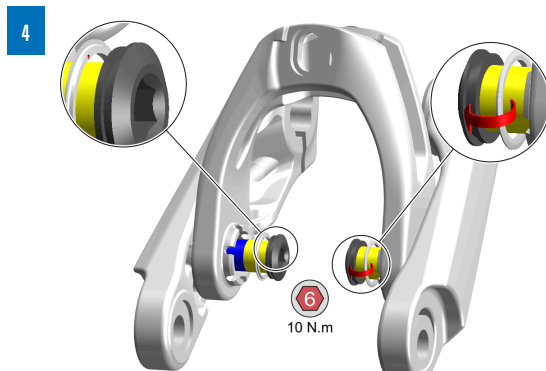
1. Setze die Lager mithilfe einer Lagerpresse in die Lagerschalen auf den nicht verzahnten Seiten ein. Trage vor der Montage Fett auf die Innenseiten der Lagerschalen und die Lagerringe auf.



2. Setze die bereits in den Schalen montierten Lager mit dem Spezialwerkzeug bis zur Lasermarkierung in die Dämpferverlängerung ein (siehe Detailansicht).



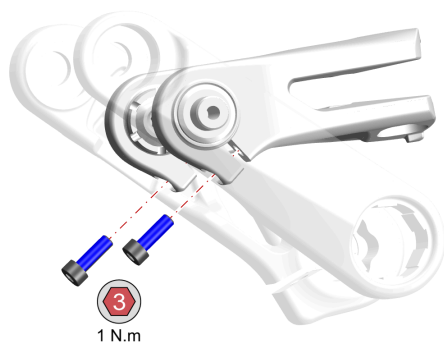
3. Fett auf die Außenseiten beider Lager auftragen und die Dichtungen aufsetzen, dabei darauf achten, dass die flache Seite der Dichtung zum Lager zeigt.



4. Die Staubdichtungsringe in die Achsnut einsetzen, dabei muss der Punkt wie in der Detailansicht gezeigt in Richtung der Außenseite zeigen (Ring zur leichteren Montage einfetten). Montagefett auf den Achsenkörper und Kopf der Stechachse und mittelfeste Schraubensicherung auf die Gewinde auftragen. Einführen und mit dem angegebenen Drehmoment (10 Nm) festziehen.

Continues next page >

5



5. Mittelfeste Schraubensicherung auf das Gewinde der Fixierschraube auftragen und mit 1 Nm festziehen.

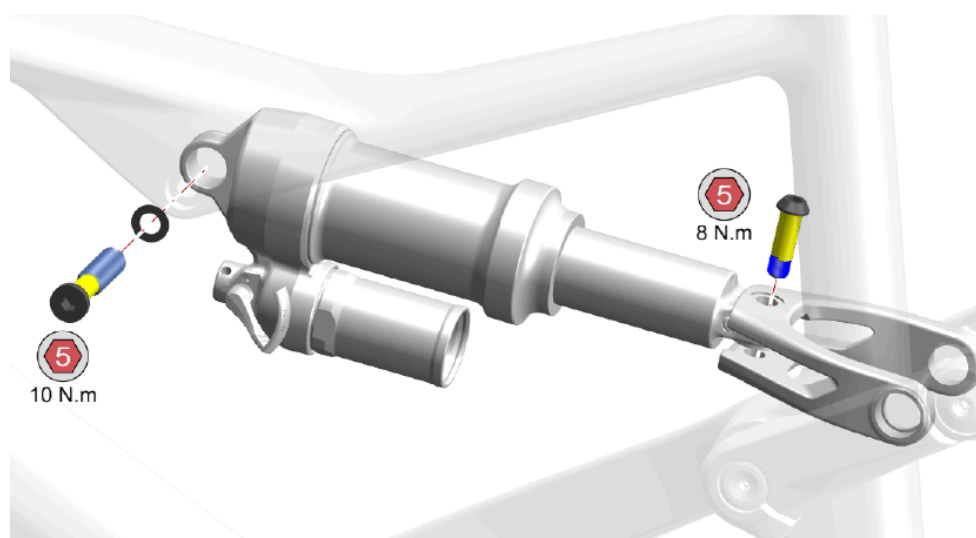
## MONTAGE DER SL-DÄMPFERVERLÄNGERUNG

---

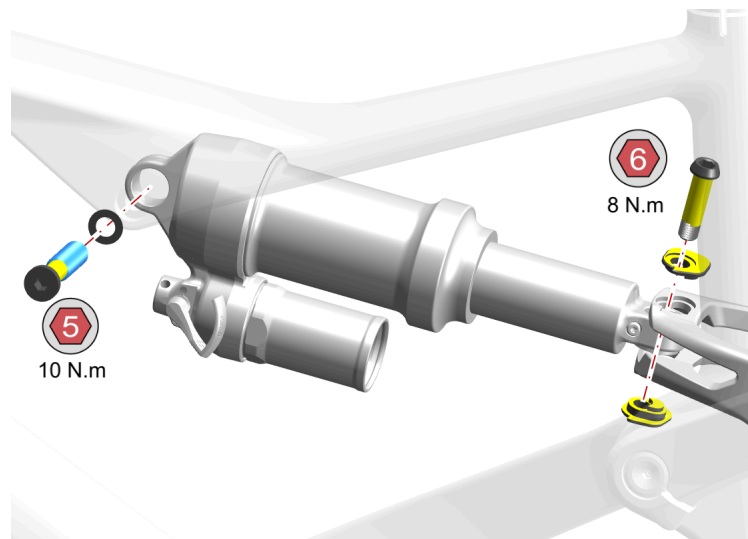
Bei der Dämpferverlängerung des Rise SL werden die Lager direkt in den Gehäusen montiert und es sind keine Lagerschalen nötig. Nach der Montage der Lager wie in den Schritten 2 und 3 der Montage der LT-Dämpferverlängerung weiter verfahren, um die Montage abzuschließen.



## BEFESTIGUNG DES SL-DÄMPFERS

---



## BEFESTIGUNG DES LT-DÄMPFERS



FARBE	ART DES MONTAGEMITTELS	BESCHREIBUNG
	SCHMIERUNG	FETT: Montagefett zur Vermeidung von Geräusentwicklung und Festsetzen einzelner Teile. Kompatibel mit Carbon- und Aluminiumoberflächen.
	SICHERUNG	SCHRAUBENSICHERUNG: Mittelfest. Loctite Typ 243

## ATTITUDE ADJUST. GEOMETRIEANPASSUNG BEI LT-MODELLEN

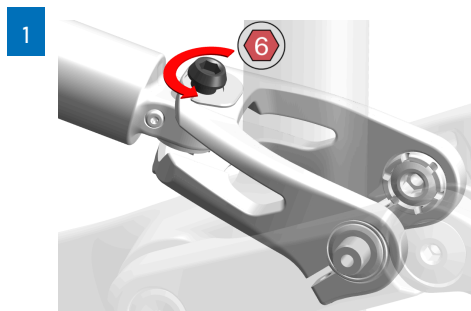
Das Rise LT ermöglicht zwei unterschiedliche Geometrieoptionen mit einem Bike durch Umstellen des Quick Flip an der Dämpferbefestigung. Die niedrige Position führt zu einer entspannteren Sitzposition für anspruchsvollste Trails, die hohe Position sorgt dagegen für einen 0,5 Grad steileren Lenk- und Sitzwinkel und macht das Bike etwas agiler. Für vollständige Informationen zu den beiden Optionen siehe den Abschnitt Geometrie.

### ANLEITUNG FÜR DEN WECHSEL ZWISCHEN HIGH- UND LOW-GEOMETRIE

#### WARNUNG

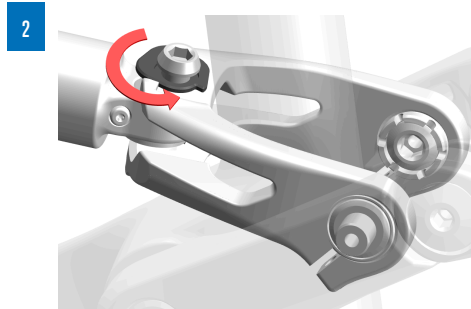
Dieses Verfahren beschreibt die Umstellung von der Position „High“ zur Position „Low“. Für den umgekehrten Vorgang den gleichen Prozess durchführen, aber die Oberseite des Quick Flip in die im ersten Bild gezeigte Position stellen

Zum richtigen Einsatz der Attitude Adjust-Technologie siehe das Erklärvideo [hier](#).

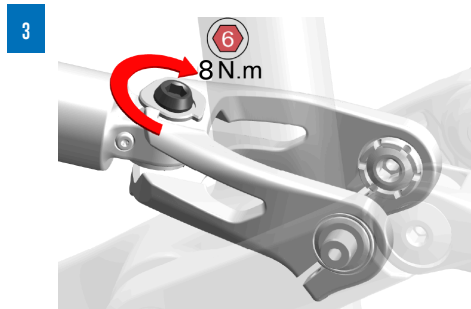


1. Die Schraube, die den Dämpfer mit der Dämpferverlängerung verbindet, mit einem Innensechskantschlüssel Größe 6 lösen (hierfür kann der Hebel der Hinterachse verwendet werden).





2. Das Oberrohr hochziehen, bis der Quick Flip wie im Bild gezeigt positioniert ist.



3. Die Befestigungsschraube wieder mit 8 Nm festziehen (unterwegs kann dies auch provisorisch mit dem Hinterachsenhebel durchgeführt werden).

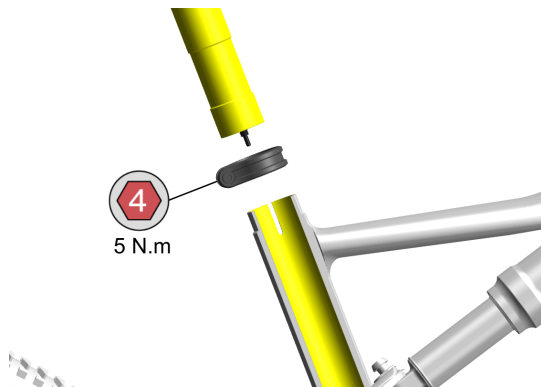
# 16 MONTAGE DER SATTELSTÜTZENSCHELLE

## WARNUNG

Informationen findest du in den Handbüchern zu Variostützen von OC Components auf unserer Website:

[www.orbea.com/gb-en/](http://www.orbea.com/gb-en/) > Support > Handbücher > Produkt

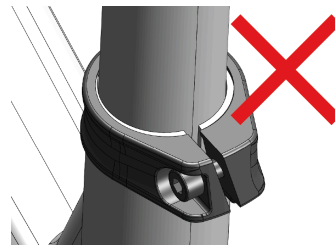
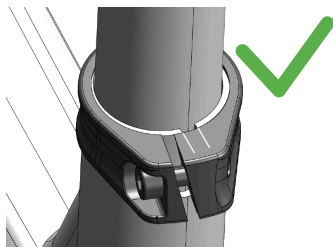
Montageanleitungen zu Sattelstützen anderer Hersteller sind in der Dokumentation des jeweiligen Herstellers zu finden.



FARBE	ART DES MONTAGE-HILFSMITTELS	BESCHREIBUNG
	SCHMIERUNG	FETT: Montagefett zur Vermeidung von Geräusentwicklung und Festsetzen einzelner Teile.

## WARNUNG

Die Sattelstützenklemmschelle immer so ausrichten, dass die Markierungen am Schlitz des Sitzrohrs ausgerichtet sind. Der Schlitz in der Klemmschelle soll nicht über dem Schlitz im Sitzrohr stehen.

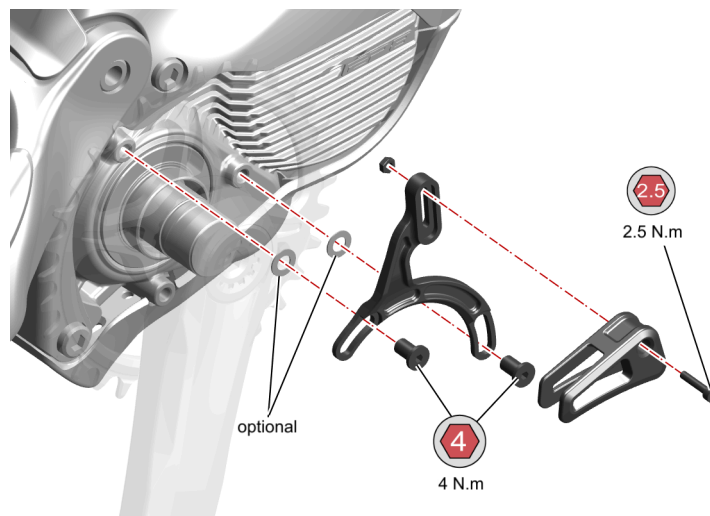


# 17 KETTENFÜHRUNG

## WARNUNG

Falls die Befestigungsschrauben der Kettenführung bei montiertem Kettenblatt nicht durch die Spider zugänglich sind, muss zur Demontage der Kettenführung die rechte Kurbel samt Kettenblatt demontiert werden. Zur Vorgehensweise für die Demontage von Kurbel und Kettenblatt siehe den Abschnitt zum Ausbau des integrierten Akkus.

Die am Rise montierte Kettenführung ist ausschließlich für Kettenblätter mit 55 mm Kettenlinie geeignet.



# 18 LOCKR. WERKZEUGAUFBEWAHRUNG IM RAHMEN

## OC FLP MT-20 MULTITOOl UND HINTERACHSENHEBEL

Damit du auf deinen Touren kein zusätzliches Gepäck mitnehmen musst, hat das Rise einen 6-mm-Innensechskanthebel an der Hinterachse, mit dem du das Hinterrad ausbauen und bei den LT-Versionen zwischen der High- und Low-Geometrie wechseln kannst.

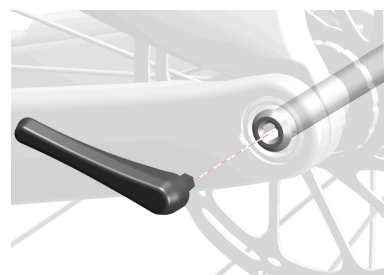
Die Hohlachse der Dämpferwippe bietet die Möglichkeit, ein OC FLP MT-20 Multitool mit 2, 3, 4 und 5 mm Innensechskantschlüsseln unterzubringen. Diese Tools sind bei einigen Modellen im Lieferumfang enthalten und für die übrigen optional erhältlich.

Beide Tools sind über die Orbea-Website als Nachrüstzubehör erhältlich. Für die Teilenummern siehe den Ersatzteile-Abschnitt in diesem Handbuch.

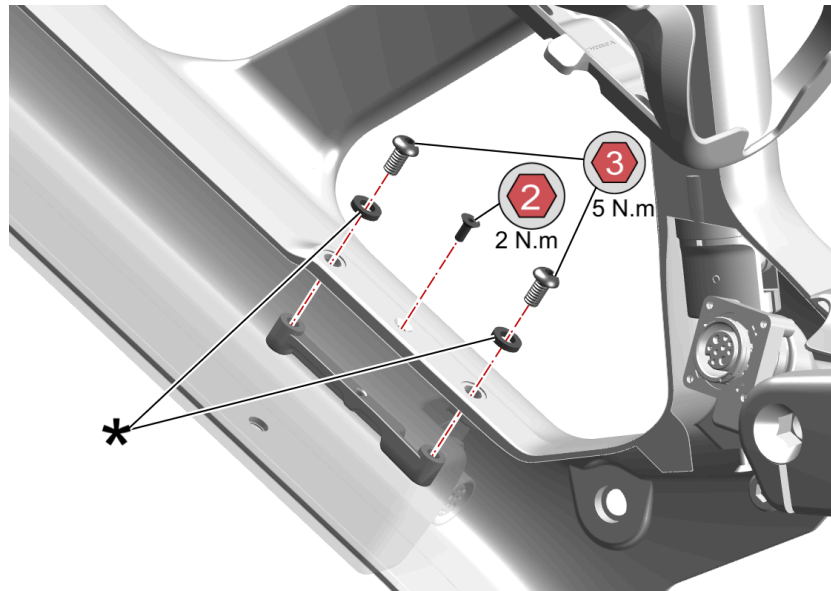
OC FLP MT-20 MULTITOOl



HEBEL FÜR HINTERACHSE



# 19 FLASCHENHALTER



## WARNUNG

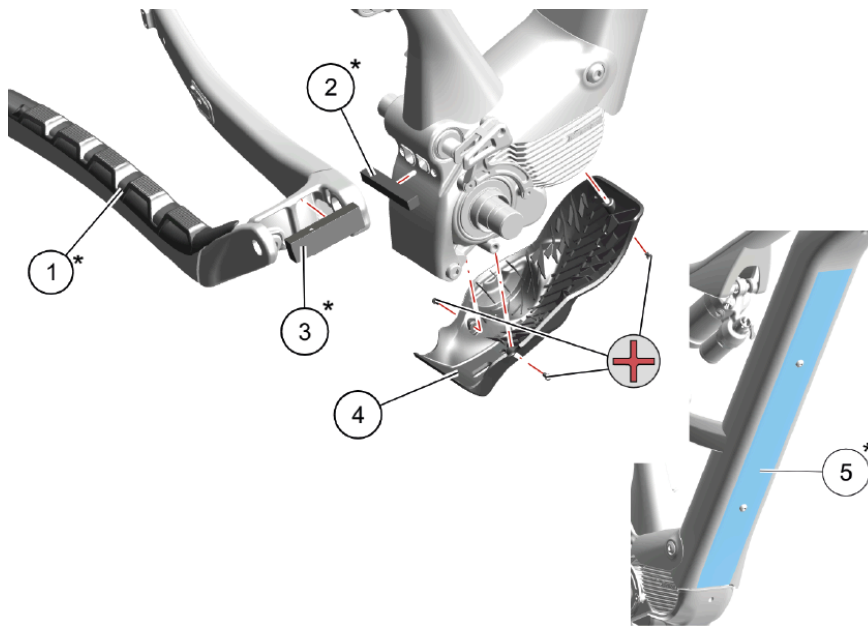
Zum Austausch der im Rahmen befindlichen Befestigungsplatte des Flaschenhalters müssen Motor und integrierter Akku demontiert werden. Für das Verfahren zum Ausbau des integrierten Akkus siehe den entsprechenden Abschnitt in diesem Handbuch.

## WARNUNG

\* Beim Rise ist standardmäßig der Halter für den externen Range Extender 210Wh Akku montiert, der bei Nichtnutzung des externen Akkus als Flaschenhalter für Standardtrinkflaschen dienen kann. Für die Halterung des Range Extenders sind die in der Abbildung markierten Unterlegscheiben zur Montage am Rahmen nicht erforderlich. Falls anstelle der Range Extender Halterung ein Standard-Flaschenhalter montiert wird und dieser keinen Kontakt zum Rahmen hat, können die entsprechenden Abstände zwischen Halter und Rahmen durch Unterlegscheiben ausgeglichen werden. Diese Unterlegscheiben gehören nicht zum Lieferumfang des Fahrrads, sind jedoch erhältlich als Bestandteil der Austausch-Flaschenhaltermontageplatte. Für die Teilenummern siehe den Ersatzteile-Abschnitt in diesem Handbuch.

# 20 PROTEKTOREN

## KETTENSTREBEN- UND MOTORSCHUTZ



1. Selbstklebender Kunststoffprotector für Kettenstrebe
2. Selbstklebender Schaumstoffprotector Hauptrahmen unten
3. Selbstklebender, klappbarer Schaumstoffprotector oben
4. Schutzabdeckung für Motor EP801/EP6
5. Unterrohrschutz, selbstklebend, transparent

### WARNUNG

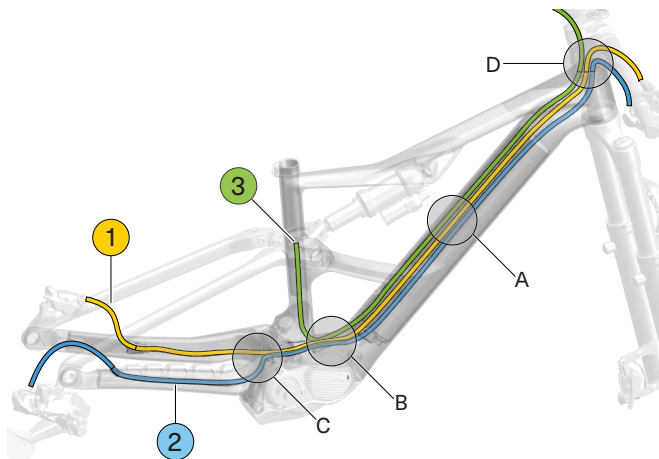
\* **MONTAGE DER SELBSTKLEBENDEN PROTEKTOREN:** Zur Montage der selbstklebenden Protektoren zunächst die Montagebereiche mit Isopropylalkohol (Maximalkonzentration 70 %) reinigen, um Schmutz und eventuelle Kleberückstände vorheriger Protektoren zu entfernen. Anschließend die Klebeflächenschutzfolie des neuen Protektors abziehen und den neuen Protector auf die passende Stelle aufsetzen und dabei auf der gesamten Fläche andrücken, damit der Protector sich an die Rahmenkontur anpasst und gut haftet.

\* **MONTAGE DES RECHTEN KUNSTSTOFF-KETTENSTREBENPROTEKTORS:** Im Falle eines Austauschs des rechten Kettenstrebenprotektors aus Kunststoff muss die Cable Pass Kabelhülle aus der rechten Kettenstrebe ausgebaut werden, weil diese Kabelhülle mit der Außenseite der Kabelaustrittsöffnung des Kunststoffprotektors verklebt ist. Zum Montageverfahren siehe den Abschnitt „Einpassen der Kabelhüllen für den Cable Pass“.

# 21 KABELFÜHRUNG

## ÜBERSICHT ÜBER DIE KABELFÜHRUNG IM RAHMEN

### MECHANISCHE KOMPONENTEN



1. Remote-Schalthebel der Vario-Sattelstütze

2. Schaltung (mechanisch)

3. Hinterradbremse

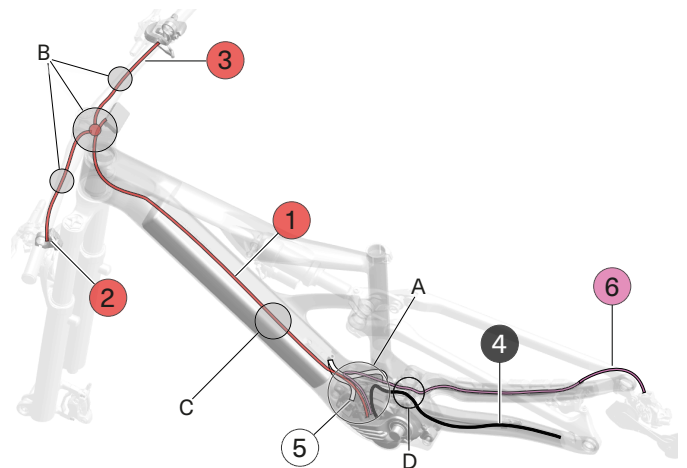
A. Kabelführung über den Akku ohne Überkreuzen

B. Siehe Abschnitt zur Kabelführung im Motorraum

C. Siehe Abschnitt „Kabelverlegung“

D. Siehe Abschnitt „Steuersatz“

### KOMPONENTEN DES ELEKTRISCHEN ANTRIEBSSYSTEMS



1. Shimano EW-SD300 Kabel 1200 mm (zu Verbindungseinheit oder Display)

2. Shimano EW-SD300 Kabel 700 mm (zu Bedieneinheit SW-EN600)

3. Kabel Shimano EW-SD300 700 mm (mit XT Di2-Griff – Aftermarket-Aufbauten)

4. Geschwindigkeitssensor EW-SS301

5. Orbea RS Gen2 Kabelbaum (Akku-Motor-Ladebuchse)

6. Kabel Shimano EW-SD300 700 mm (mit Di2-Hebel – Aftermarket-Aufbauten)

A. Siehe Abschnitte „Kabelführung im Motorraum“ und „Motoranschlüsse“

B. Siehe Abschnitt „Di2-Kabelführung an Lenker und Vorbau“

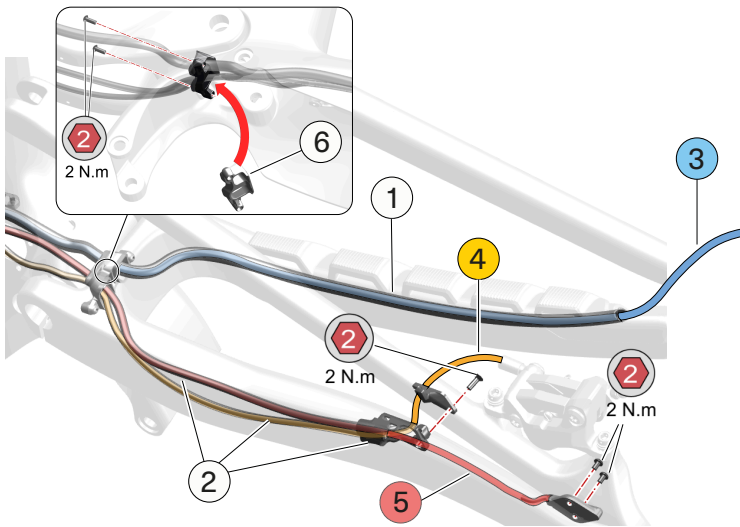
C. Kabelführung über den Akku ohne Überkreuzen

D. Siehe Abschnitt „Kabelverlegung“

## CABLE PASS. KABELFÜHRUNG ZWISCHEN HAUPTDREIECK UND HINTERBAU.

Das Cable Pass System schützt die Kabel und Zughüllen zwischen dem Hauptdreieck und dem Hinterbau und erleichtert die Kabelführung zum Motor und zum Steuersatz.

Am Rise besteht das Cable Pass System aus 3 Elementen: einer Kabelhülle für den Schaltzug zum Schaltwerk, dem Kabelhüllen-Set und dem Ausgang an der linken Kettenstrebe für die HR-Bremsleitung und den Geschwindigkeitssensor und die Cable Pass Kabelführung an der Rückseite des Motorraums im Hauptdreieck des Rahmens.



1. Cable Pass-Kabelhülle an der linken Kettenstrebe
2. Cable Pass-Kabelhülle an der linken Kettenstrebe und Ausgangsöffnung (1 Teil)
3. Schaltwerkszughülle
4. HR-Bremsleitung
5. Geschwindigkeitssensor EW-SS301
6. Cable Pass Kabelführung

**WARNUNG**

Für die Teilenummern siehe den Ersatzteile-Abschnitt in diesem Handbuch.

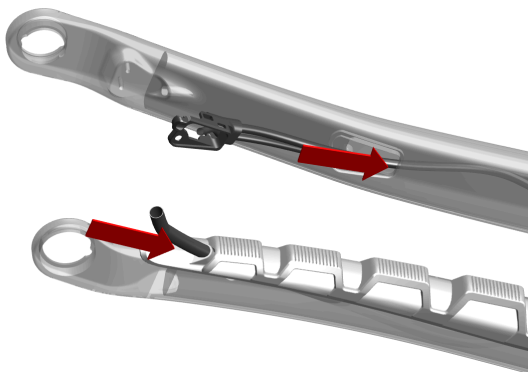
## EINPASSEN DER KABELHÜLLEN FÜR DEN CABLE PASS

**WARNUNG**

Das Einpassen der Cable Pass-Kabelhüllen erfordert fortgeschrittene mechanische Kenntnisse, da er den Ausbau des Motors und eventuell den Ausbau des Hinterbaus aus dem Rahmendreieck erfordert. Bringe dein Bike für diese Art von Reparatur und Wartung zu einem Vertragshändler. Durch unsachgemäße Montage verursachte Schäden an Komponenten sind nicht von der Garantie abgedeckt.

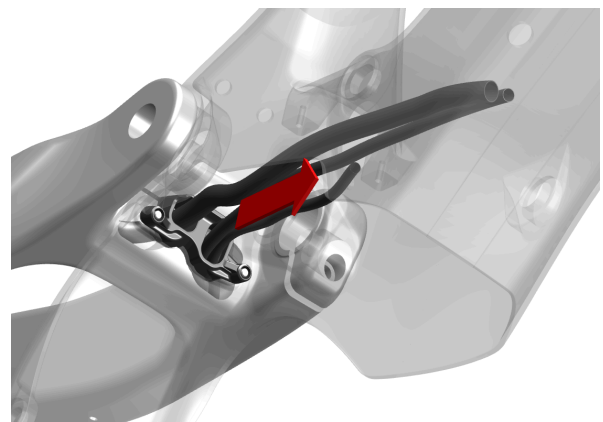
Im Abschnitt zum Ausbau des integrierten Akkus in diesem Handbuch erfährst du, wie du den Motor demontierst, um auf das Motorgehäuse zugreifen zu können.

1



Führe die Kabelhülle für die rechte Kettenstrebe und den Kabelführungssatz der linken Kettenstrebe durch die Löcher der beiden Kettenstreben. Der Kunststoffschutz für die Kettenstrebe muss vorher angebracht werden, da die

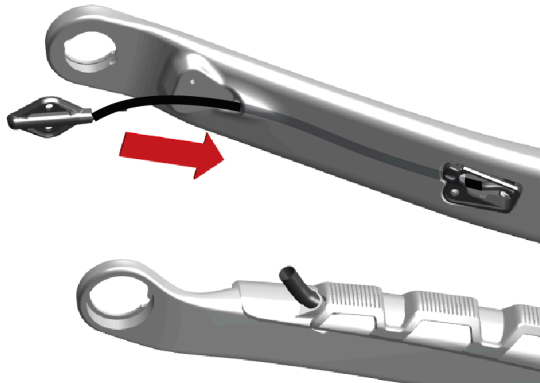
2



Führe die Hüllen zu ihren entsprechenden Ausgängen (gleiche Seite) an Hinterbau und Motorraum.

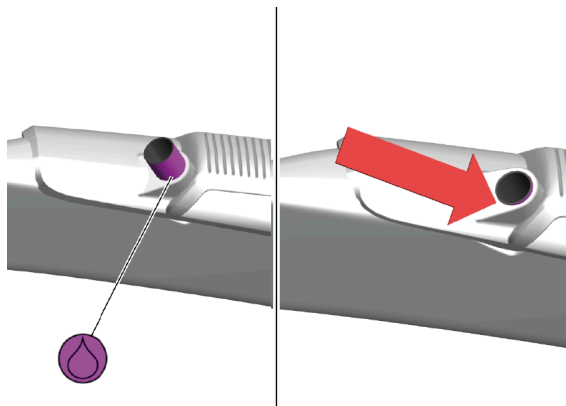
Cable Pass Kabelhülle durch die Öffnung des Schutzes geführt wird.

3



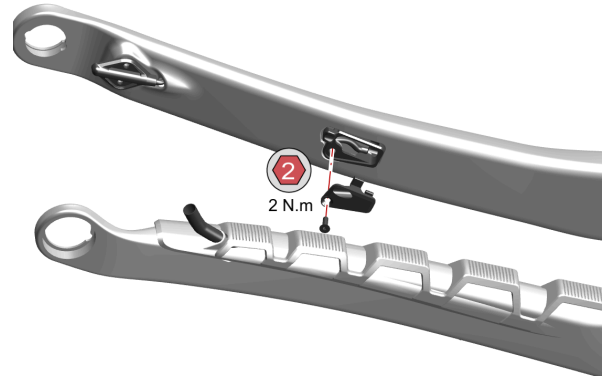
Führe das Geschwindigkeitssensorkabel durch das entsprechende Loch und durch das Kabelführungsrohr in den Motorraum.

5



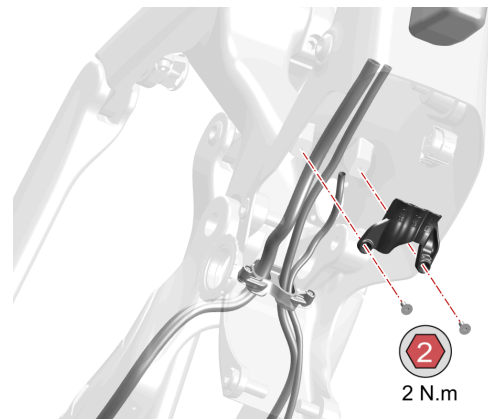
Trage etwas milden Zweikomponenten- oder Sekundenkleber auf den Teil der Kabelhülle auf, der mit der Öffnung im rechten Kunststoff-Kettenstrebenschutz in Kontakt kommt, und setze sie endgültig in die Öffnung des Kettenstrebenschutzes ein. Wische überschüssigen Kleber sofort mithilfe von Isopropylalkohol (maximale Konzentration 70 %) ab und lasse den Kleber entsprechend der Herstellerempfehlung aushärten.

4



Setze die Kappe auf die Durchführung der linken Kettenstrebe auf.

6



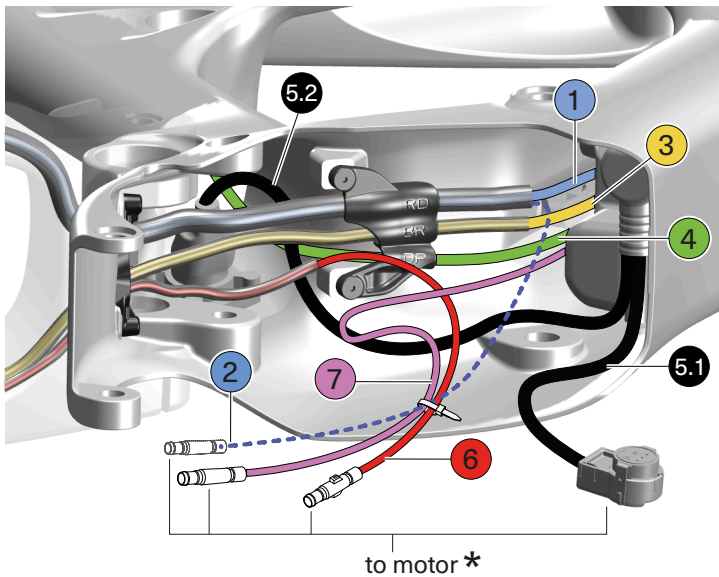
Baue die Kabelführung im Motorraum ein. Für die Positionierung der Kabel und Kabelhüllen in diesem Bereich siehe den Abschnitt zur Kabelführung im Motorraum.



## KABELFÜHRUNG IM MOTORGEHÄUSE

### WARNUNG

Für nähere Informationen zum Pedelec-System siehe den Abschnitt „Komponenten des elektrischen Unterstützungssystems“.



1. Schaltwerkzug (mechanisch)
2. XT Di2-Schaltwerk (Aftermarket-Aufbauten)
3. HR-Bremsleitung
4. Remote-Schalthebel der Vario-Sattelstütze
- 5.1. Kabelbaum RS Gen2. EP801/EP6 Motoranschluss
- 5.2. Kabelbaum RS Gen2. Ladebuchse
6. Geschwindigkeitssensor EW-SS301
7. Shimano EW-SD300 Kabel 1200 mm (zu Verbindungseinheit oder Display)

\*Siehe Abschnitt „Motoranschlüsse“

\*\*Siehe Abschnitt „Di2-Kabelführung an Lenker und Vorbau“

## KABELFÜHRUNG FÜR SHIMANO-KOMPONENTEN AN VORBAU UND LENKER

Beim Rise werden Lenker aus dem Programm OC Components Mountain Control verbaut, die hinten im Klemmbereich des Vorbaus und an beiden Lenkerenden ein Loch aufweisen. Dadurch können die Kabel für die Bedieneinheit des Antriebssystems und den Di2-Schalthebel (bei Aftermarket-Aufbauten) innen durch den Lenker geführt werden.

Die Montage von Nicht-OC-Lenkern ohne Möglichkeit der internen Kabelführung im Lenker ist ebenfalls möglich. In diesem Fall werden die Kabel für die Bedieneinheit des Antriebssystems und den Di2-Schalthebel an der Außenseite des montierten Lenkers verlegt.

Bei montierten Vorbauten des Mountain Control Programms werden die Kabel des elektrischen Antriebssystems über einen Schlitz im unteren Bereich in den OC-Lenker geführt. Je nach Aufbau kann ein Shimano Di2-Stecker im OC-Vorbau verbaut werden (siehe folgende Abbildungen zu den verschiedenen Montageoptionen).

### WARNUNG

Bei einem Austausch des ursprünglich verbauten OC-Lenkers muss ein neuer Lenker montiert werden, der für die interne Verlegung elektronischer Komponenten vorbereitet ist. Anderenfalls müssen die Kabel für diese Komponenten an den Außenseiten von Lenker und Vorbau geführt werden.

Wenn ein Nicht-OC-Vorbau mit der Universal-Kabelführung für den Steuersatz HS02 montiert wird (siehe das gesonderte Handbuch „Orbea ICR Steuersatzstandards“), kann es notwendig sein, die Kabel für das elektrische Antriebssystem und den Di2-Stecker außen am Vorbau zu verlegen, wenn der neu montierte Vorbau keine Möglichkeit zur Innenverlegung bietet.

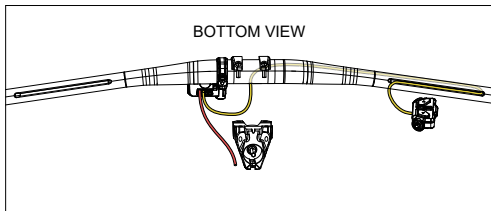
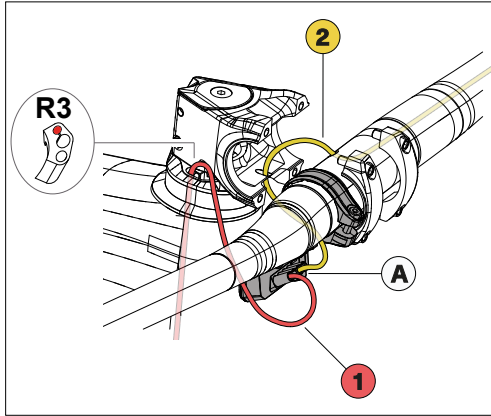
Orbea übernimmt keine Garantie für die Kompatibilität von Komponenten, die nicht Bestandteil der originalen Orbea Setups sind. Überprüfe die Durchführbarkeit der Montage vor dem Einbau neuer Komponenten. Personen- und Sachschäden, die durch nicht kompatible Komponenten und/oder einen nicht fachgerechten Einbau entstehen, sind nicht durch die Gewährleistung abgedeckt.

### WARNUNG

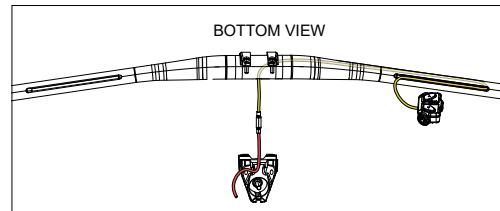
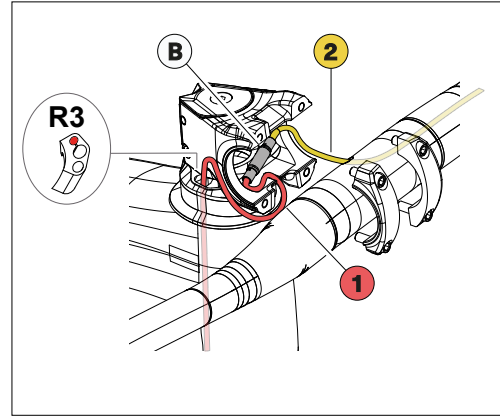
Für nähere Informationen zum Pedelec-System siehe den Abschnitt „Komponenten des elektrischen Unterstützungssystems“.

**KABELFÜHRUNG AN OC MOUNTAIN CONTROL HS02 VORBAU UND OC MOUNTAIN CONTROL LENKER**

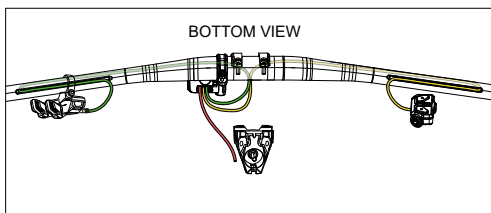
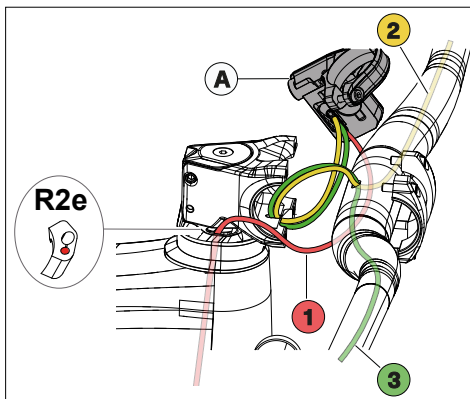
**OPTION 1** With Shimano Display SC-EN600. Mechanischer Antrieb



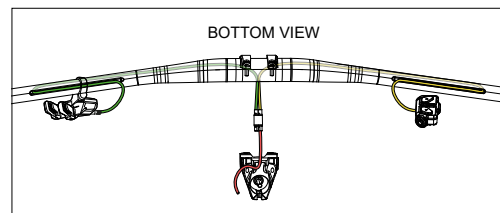
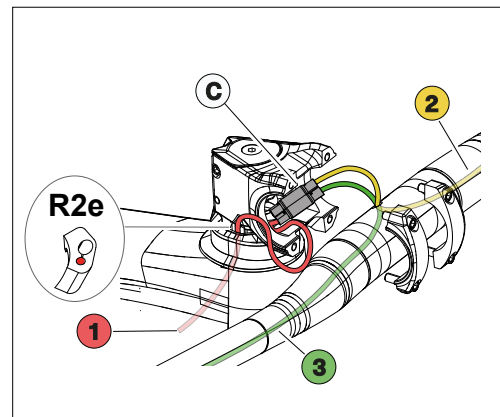
**OPTION 2** Ohne Shimano Display SC-EN600. Mechanischer Antrieb



**OPTION 3** Mit Shimano Display SC-EN600. Di2-Antrieb



**OPTION 4** Ohne Shimano Display SC-EN600. Di2-Antrieb



- 1. Shimano EW-SD300 Kabel 1200 mm (zum Motor)
- 2. Shimano EW-SD300 Kabel 700 mm (zu Bedieneinheit SW-EN600)
- 3. Kabel Shimano EW-SD300 700 mm (mit Di2-Griff SW-M8150-IR – Aftermarket-Aufbauten)

- A. Shimano Display SC-EN600
- B. Verbindungsadapter EW-JC302
- C. Verbindungsadapter EW-JC304 (Aftermarket-Aufbauten)

# 22 KOMPONENTEN DES ELEKTRISCHEN UNTERSTÜTZUNGSSYSTEMS

## WARNUNG

Die Montage der Komponenten des Unterstützungssystems setzt fortgeschrittene Kenntnisse voraus und dürfte die Fähigkeiten der meisten Nutzer:innen übersteigen.

Wende dich deshalb zur Überprüfung, Reparatur und Montage von Komponenten des elektrischen Antriebssystems des Bikes immer an einen offiziellen Händler.

Schäden an Komponenten, die auf eine nicht fachgerecht ausgeführte Montage zurückzuführen sind, können dazu führen, dass die Gewährleistung für diese Komponenten erlischt.

## WARNUNG

**HINWEIS ZUR KOMPATIBILITÄT. KOMPONENTEN DES ELEKTRISCHEN ANTRIEBSSYSTEMS GEN2:** Siehe das Dokument zur Kreuzkompatibilität der Orbea Ebike Systems Komponenten [hier](#) oder auf unserer Website: **Support > Handbücher > E-Bike-Komponenten**

## ANSCHLUSSSCHEMA DER KOMPONENTEN

Die Verkabelung am Lenker und im Vorbau variiert je nach gewählter Ausstattung mit oder ohne Shimano Display und mit mechanischer oder elektronischer Schaltung (Siehe Abschnitt „Kabelführung“ in diesem Handbuch). Bei allen Systemen führt ein 1200 mm langes EW-SD300 Kabel vom Shimano EP801 Motor. Der Shimano EP801 Motor verwendet den Verkabelungsstandard EW-SD300 für Di2- und STEPS-Komponenten. In den Abbildungen in diesem Abschnitt siehst du die bei den verschiedenen Ausstattungsmöglichkeiten verwendeten Komponenten mit jeweiliger Verkabelung. Zur Verlegung der Kabel des elektrischen Antriebssystems durch Rahmen, Vorbau und Lenker siehe den Abschnitt „Kabelführung“ in diesem Handbuch.

## WARNUNG

Für die Teilenummern siehe den Ersatzteile-Abschnitt in diesem Handbuch.

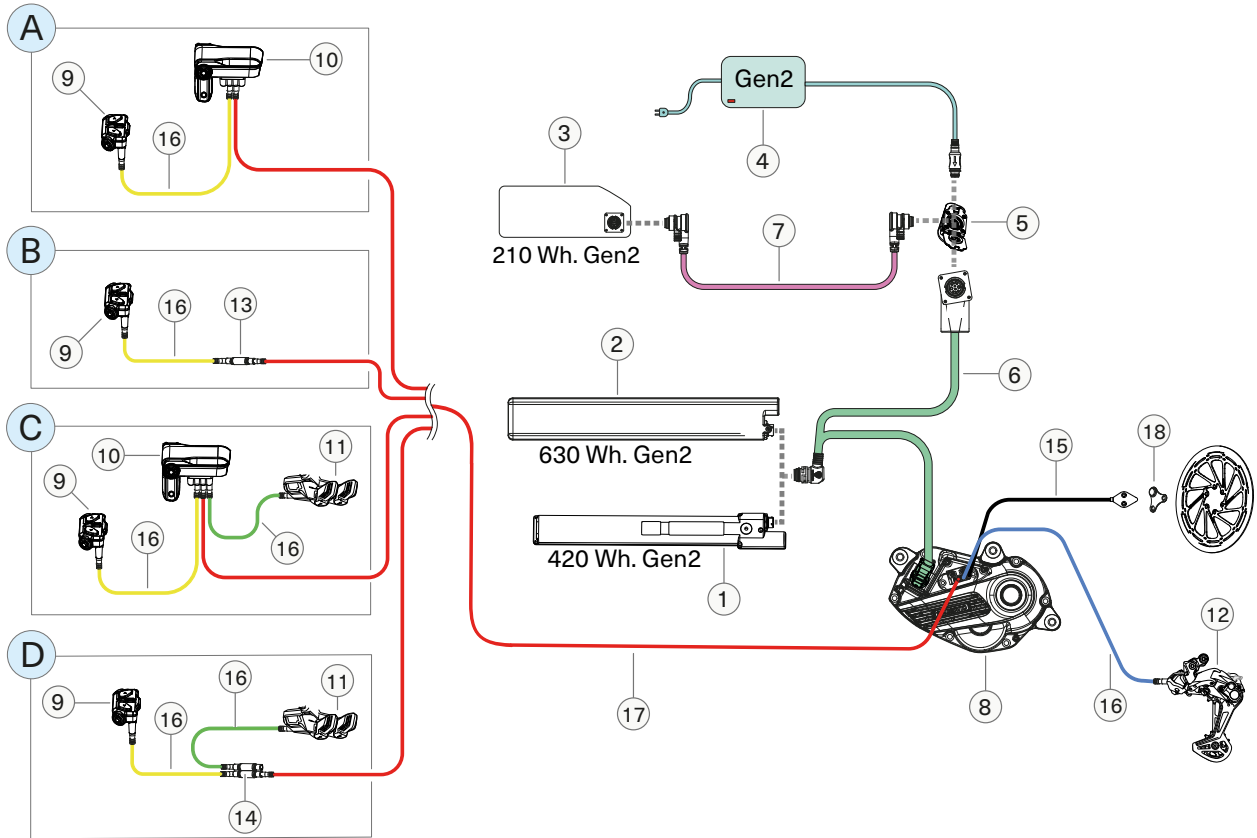
<b>A.</b>	Mit Shimano-Display SC-EN600. Mechanischer Antrieb	<b>C.</b>	Mit Shimano-Display SC-EN600. Di2-Antrieb. Aftermarket-Aufbauten
<b>B.</b>	Ohne Shimano-Display SC-EN600. Mechanischer Antrieb	<b>D.</b>	Ohne Shimano-Display SC-EN600. Di2-Antrieb. Aftermarket-Aufbauten

ORBEA EBIKE SYSTEMS KOMPONENTEN		SHIMANO KOMPONENTEN*	
1.	Akku 420 Wh Gen2	8.	Motor EP801/EP6
2.	Akku 630 Wh Gen2	9.	Bedieneinheit SW-EN600-L
3.	Range Extender RS 210 Wh Gen2	10.	Display SC-EN600 (optional)
4.	Smart Charger Gen2	11.	Schalthebel XT Di2 SW-M8150-IR (Aftermarket-Aufbauten)
5.	Ladebuchsenabdeckung Rise 2025	12.	Schaltwerk XT Di2 RD-M8150-12 (Aftermarket-Aufbauten)
6.	Gen2 Rise 2025 Kabelbaum Akku-Motor-Ladebuchse	13.	Verbindungsadapter EW-JC302 (im Lenker)
7.	Kabel 120 mm für Range Extender 210Wh RS	14.	Verbindungsadapter EW-JC304 (im Lenker)
		15.	Geschwindigkeitssensor EW-SS301 (in der linken Kettenstrebe)
		16.	EW-SD300 Kabel 1200 mm

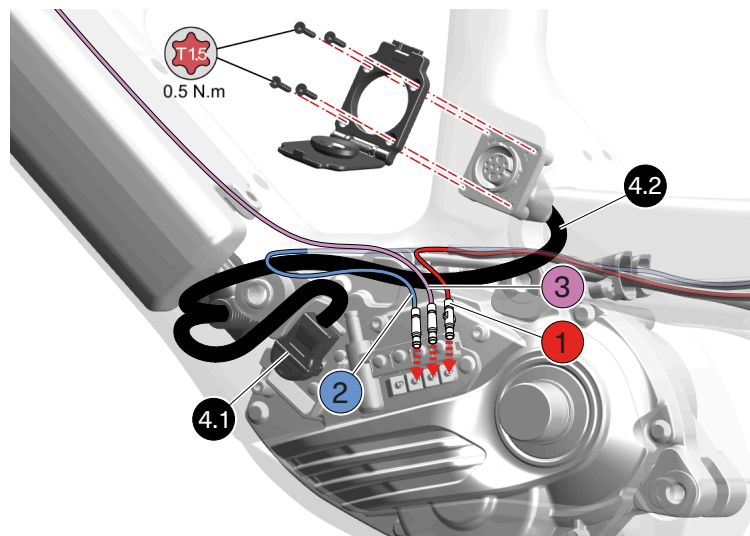
ORBEA EBIKE SYSTEMS KOMPONENTEN

SHIMANO KOMPONENTEN\*

- 17. EW-SD300 Kabel 1200 mm
- 18. Geschwindigkeitssensormagnet (siehe Bremsscheiben-Kompatibilitätstabelle)



ANSCHLUSS DER MOTORKOMPONENTEN

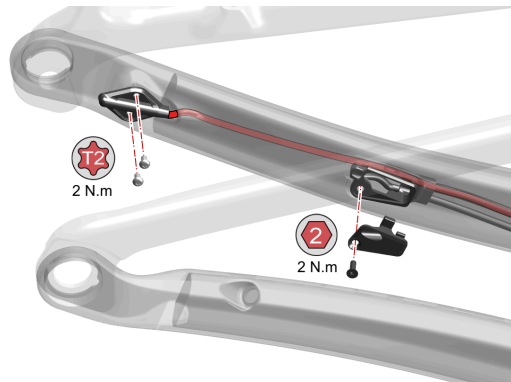


SHIMANO KOMPONENTEN*	ORBEA EBIKE SYSTEMS KOMPONENTEN
1. Geschwindigkeitssensor EW-SS301	4.1. Kabelbaum RS Gen2. EP801/EP6 Motoranschluss
2. EW-SD300 1200 mm zum XT Di2-Schaltwerk (Aftermarket-Aufbauten)	4.2. Kabelbaum RS Gen2. Ladebuchse
3. 1200 mm Kabel EW-SD300 zum Cockpit	

## GESCHWINDIGKEITSSENSOR. KOMPATIBLE BREMSSCHEIBEN UND MAGNETE

### WARNUNG

Zum Austauschen des Geschwindigkeitssensors muss der Hinterbau nicht demontiert werden. Es muss allerdings der Motor ausgebaut werden, um an die Anschlüsse zu gelangen und den Geschwindigkeitssensor zu trennen und wieder anzuschließen (siehe die Abschnitte „Montage des Motors“ und „Kabelführung im Motorraum“ in diesem Handbuch). Öffne den Cable Pass Einlass an der linken Kettenstrebe, sodass du das neue Sensorkabel durch die Cable Pass Kabelhülle in den Motorraum führen kannst.






### KOMPATIBILITÄT VON HINTERRADBREMSEN

Der am Rise montierte Geschwindigkeitssensor EW-SS301 ist für die Verwendung von in die Bremsscheiben-Spider integrierten Magneten ausgelegt.

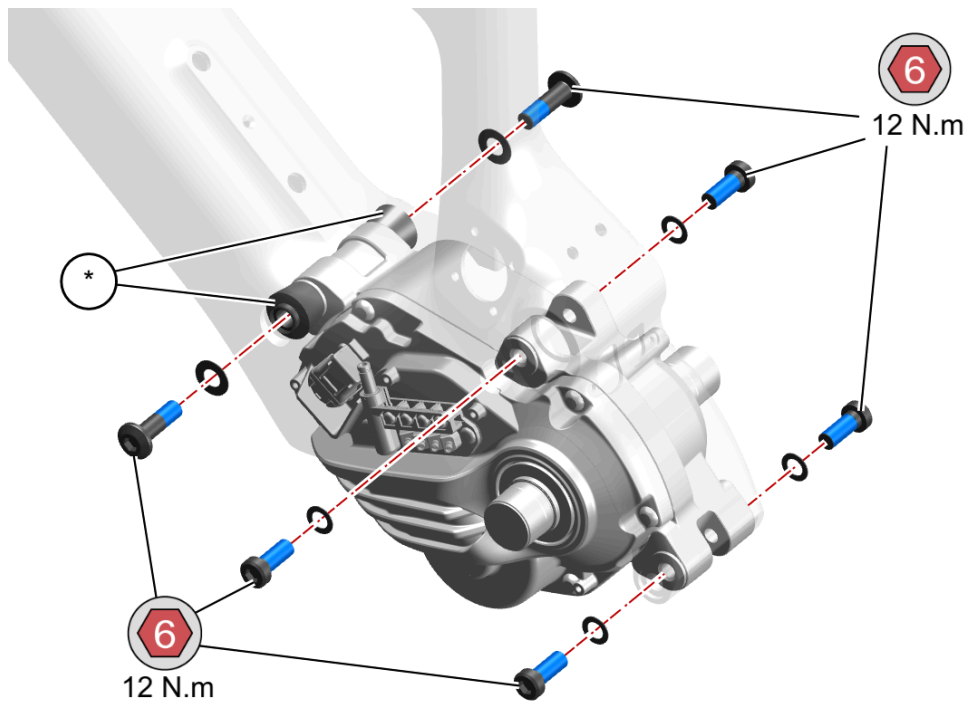
**6-LOCH-BREMSSCHEIBEN:** Die allermeisten 6-Loch-Bremsscheiben ohne integrierten Magneten sind kompatibel mit dem Orbea-Magneten X240. 6-Loch-Bremsscheiben mit in den Spider integrierten Magneten sind kompatibel.

**CENTERLOCK-BREMSSCHEIBEN:** Der Geschwindigkeitssensor EW-SS301 ist nur mit Scheiben kompatibel, bei denen der Magnet auf dem Spider montiert ist. Bremsscheiben ohne Magnet im Spider, bei denen der Magnet in die Centerlock-Befestigungsmutter integriert ist, sind nicht kompatibel.

KOMPATIBLE OPTIONEN			
CENTERLOCK		6-LOCH	
	<b>MAGNET</b>		<b>MAGNET</b>
	In den Spider integriert		Orbea 6-Loch-Magnet X240
<b>CENTERLOCK-SCHEIBEN:</b> (180-203 mm)		<b>6-LOCH-SCHEIBEN</b> (180-203 mm)	
			In den Spider integriert

NICHT KOMPATIBLE OPTIONEN			
CENTERLOCK		6-LOCH	
BREMSSCHEIBEN	MAGNET	BREMSSCHEIBEN	MAGNET
CENTERLOCK-BREMSSCHEIBEN (Ohne im Spider integrierten Magnet)	Orbea Centerlock-Magnet <b>X095</b>	6-LOCH-BREMSSCHEIBEN (Ohne im Spider integrierten Magnet)	Orbea 6-Loch-Magnet <b>XA90</b>
	Orbea Centerlock-Magnet <b>XB18</b>		Orbea 6-Loch-Magnet <b>XA91</b>
	In Centerlock-Mutter		
			

## MONTAGE DES MOTORS AM RAHMEN



FARBE	ART DES MONTAGEMITTELS	BESCHREIBUNG
	SICHERUNG	SCHRAUBENSICHERUNG: Mittelfest. Loctite Typ 243

\* Die Spacer werden an der Innenseite zwischen Motor und Rahmen montiert.

## INTEGRIERTER AKKU

### TECHNISCHE DATEN DES INTEGRIERTEN AKKUS

#### WARNUNG

Für die technischen Daten der im Rise montierten integrierten Orbea Gen 2 Akkus siehe den Abschnitt „Technische Daten des E-Bike Systems Gen 2“ in diesem Handbuch.  
 Beachte die Warnhinweise und Empfehlungen zum Laden, zur Verwendung und zur Lagerung der integrierten Akkus in den Abschnitten „Verwendung des Rise“ und „Warnhinweise zur Verwendung des elektrischen Antriebssystems“ in diesem Handbuch.

## MONTAGE DES INTEGRIERTEN AKKUS IM RAHMEN

### WARNUNG

Das Verfahren zur Montage des rahmenintegrierten Akkus ist für alle Rise-kompatiblen internen Orbea Gen2 Akkumodelle gleich.

Eine ausführliche Schritt-für-Schritt-Anleitung ist im Abschnitt „Ausbau des integrierten RS Akkus“ zu finden.



Verwende nur Originalschrauben von Orbea zur Befestigung des integrierten Akkus am Rahmen des Rise.



FARBE	ART DES MONTAGEMITTELS	BESCHREIBUNG
	HALTEMITTEL	Schraubensicherung: Mittelfest. Loctite Typ 243

## VERBINDEN DES KABELBAUMS MIT DEM INTEGRIERTEN AKKU

Beim Anschließen des Kabelbaums an den integrierten Akku (nachdem du den EP801/EP6 Shimano-Motor zerlegt hast) musst du sicherstellen, dass die Stifte und die Lasche am Kabel und am Akkuanschluss in der richtigen Position übereinstimmen.

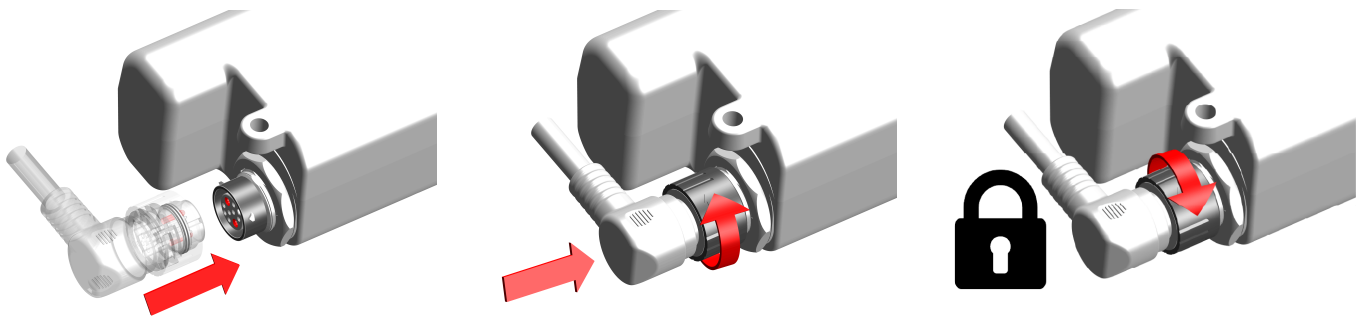
Wenn der Stecker des Kabelbaums auf den Anschluss am Akku gesetzt ist, drehe den Sicherungsring am Kabelbaumstecker gegen den Uhrzeigersinn und drücke den Stecker in den Anschluss am Akku.

Wenn die Verbindung von Kabel und Akku hergestellt ist, lass den Sicherungsring los, damit er in seine ursprüngliche Position zurückkehrt und die Verbindung sichert.

Wenn der Sicherungsring nach dem Loslassen nicht in seine ursprüngliche Position zurückkehrt, ist die Verbindung nicht sicher.

Durch vorsichtiges Ziehen am Stecker des Kabelbaums kannst du kontrollieren, dass er sicher am integrierten Akku angeschlossen ist.

Weitere Informationen findest du im Abschnitt zum Aus- und Einbau des integrierten Akkus in diesem Handbuch.



## STÖRUNGSBESEITIGUNG AM INTEGRIERTEN AKKU (HÄNDLERINFORMATIONEN)

Integrierte Orbea E-Bike Systems Gen2 Akkus besitzen keine LEDs zur Anzeige von Fehlercodes und es ist keine Fehlerdiagnose über E-Tube Professional möglich. Bei einer Störung am elektrischen Antriebssystem des Rise verwende E-Tube Professional, um auszuschließen, dass das Problem auf eine Shimano Systemkomponente zurückzuführen ist.

Setze dich mit Shimano in Verbindung und lass dem Kundensupport einen Systembericht zukommen. Wenn Shimano dir mitteilt, dass das Problem mit dem integrierten Akku zusammenhängt, wende dich über eine Supportanfrage an Orbea.

### WARNUNG

Für Informationen zur Verbindung mit dem Diagnosetool siehe den Abschnitt „Verbindung mit E-Tube Professional“ in diesem Handbuch.

## AUSBAU DES INTEGRIERTEN AKKUS (INFORMATION FÜR HÄNDLER)

### WARNUNG

Die Montage und Demontage der Komponenten des Unterstützungssystems setzt fortgeschrittene mechanische Kenntnisse voraus und dürfte die Fähigkeiten der meisten Nutzer:innen übersteigen. Wende dich deshalb zur Überprüfung, Reparatur und Montage von Komponenten des elektrischen Antriebssystems immer an einen offiziellen Händler. Schäden an Komponenten, die auf eine nicht fachgerechte Handhabung zurückzuführen sind, können dazu führen, dass die Gewährleistung für diese Komponenten erlischt.

### 

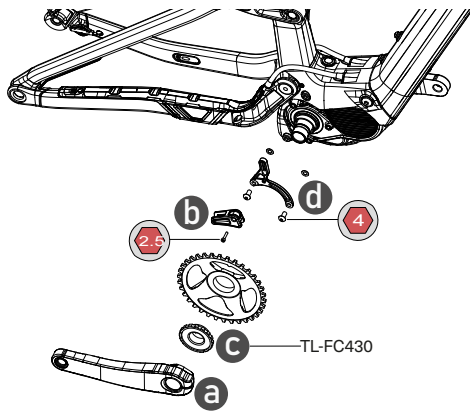
Orbea empfiehlt, den integrierten Akku nur von einem autorisierten Orbea Händler austauschen zu lassen, da hierzu wichtige Komponenten des Fahrrads und des elektrischen Antriebssystems demontiert werden müssen. Falls du vorhast, mit dem Fahrrad zu verreisen, und der Akku dazu ausgebaut werden muss, bring dein Fahrrad stets zu einem Orbea Händler, um Materialschäden zu vermeiden und die ordnungsgemäße und sichere Funktion sämtlicher Komponenten zu gewährleisten. Werden die Komponenten nicht fachgerecht eingebaut, können sie ausfallen, was schwere Unfälle und Verletzungen nach sich ziehen kann.

### WARNUNG

Das Verfahren zum Ausbau des integrierten Akkus ist für alle Rise-kompatiblen internen Orbea Gen2 Akkumodelle gleich.

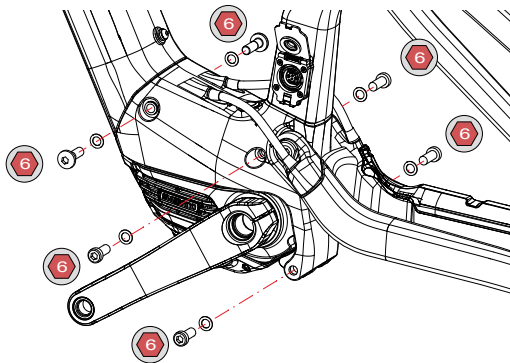


1



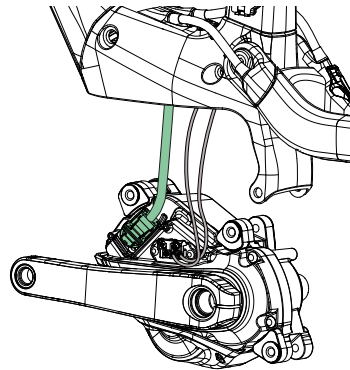
- a. Demontiere den rechten Kurbelarm entsprechend der vom Hersteller empfohlenen Vorgehensweise: [https://si.shimano.com/dm/DUE001/install\\_chainring\\_crank\\_arms](https://si.shimano.com/dm/DUE001/install_chainring_crank_arms)
- b. Entferne den oberen Teil der Kettenführung, damit das Kettenblatt ausgebaut werden kann.
- c. Entferne den Shimano Sicherungsring vom Kettenblatt, damit dieses ausgebaut werden kann. Den Sicherungsring zum Lösen im Uhrzeigersinn drehen. Hinterrad und Riemen/Kette müssen am Fahrrad montiert sein, damit du die Riemenscheibe/das Kettenblatt durch Festhalten des Hinterrads blockieren und somit den Sicherungsring lösen kannst.  
Zur Demontage des Sicherungsringes das Werkzeug Shimano TL-FC430 in Verbindung mit TL-FC36, TL-FC33 oder TL-FC32 (alle drei sind kompatibel) verwenden.
- d. Nimm den Kettenführerhalter ab, damit du auf die Befestigungsschrauben des Motors zugreifen kannst.

2



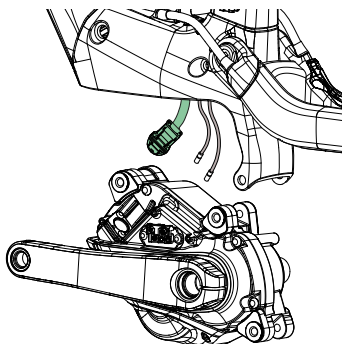
Entferne die Schrauben, mit denen der Motor am Rahmen befestigt ist, samt den Unterlegscheiben mit einem 6 mm Innensechskantschlüssel.

3



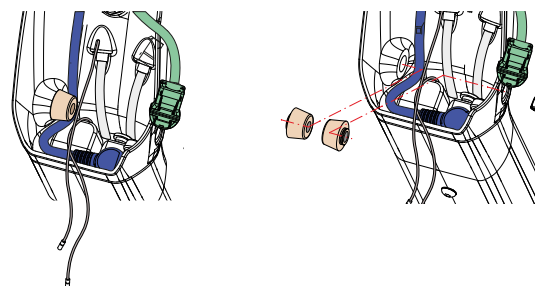
Nimm den Motor vorsichtig vom Rahmen ab, damit die Kabel nicht beschädigt werden.

4



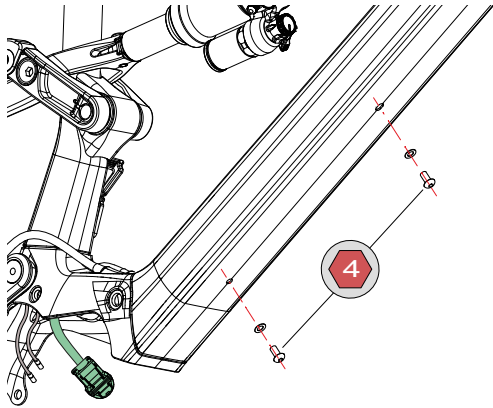
Trenne das vom Motor zum Akku verlaufende Kabel, die Geschwindigkeitssensorkabel, das zum Cockpit führende Kabel und das vom Di2-Schaltwerk verlaufende Kabel (bei Aufbau mit elektronischer Schaltung).

5



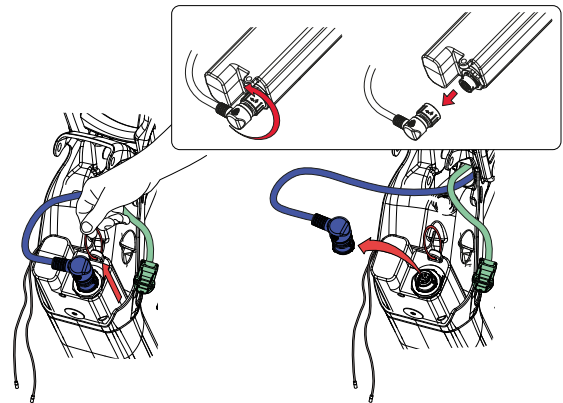
Entferne die oberen Motorbefestigungsbuchsen. Denke daran, dass das Akkuverbindungskabel beim Wiedereinbau der Buchsen und des Motors über die linke Buchse geführt werden muss, damit der Motor eingebaut werden kann.

6



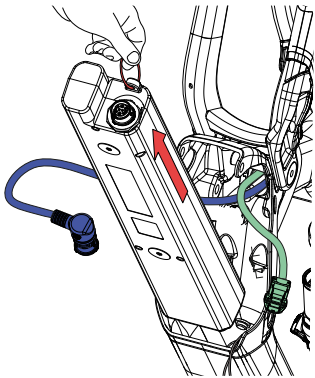
Entferne die Schrauben und Unterlegscheiben, mit denen der integrierte Akku am Unterrohr befestigt ist.

7



Ziehe an dem am Akku befestigten Kabelbinder. So ziehst du den Akku aus dem Unterrohr, bis der Stecker des Akkukabels gut zu erreichen ist. Trenne das Akkukabel ab, indem du den Sicherungsring nach links drehst und am Stecker ziehst.

8



Ziehe den Akku aus dem Unterrohr.

## EINBAU DES INTEGRIERTEN AKKUS

Zum Wiedereinbau des integrierten Akkus fñhrt du die fñr den Ausbau beschriebenen Schritte in umgekehrter Reihenfolge durch.

Bezñglich der Kabelfñhrung und Anzugsdrehmomente der einzelnen Komponenten siehe die jeweiligen Abschnitte dieses Handbuchs.

Informationen zur richtigen Montage des Shimano Sicherungsringes an Kettenblatt und Kurbeln findest du in der Dokumentation des Herstellers:

[https://si.shimano.com/dm/DUE001/install\\_chainring\\_crank\\_arms](https://si.shimano.com/dm/DUE001/install_chainring_crank_arms)

## RANGE EXTENDER RS 210 WH GEN2

Durch Anschluss des externen Akkus Orbea Range Extender RS Gen2 am Unterstützungssystem lässt sich die Systemkapazität um zusätzliche 210 Wh erweitern.

### KOMPATIBILITÄTSHINWEIS

#### WARNUNG

Der externe Akku Range Extender RS 210 Wh Gen2 ist nur kompatibel mit Orbea E-Bikes mit Orbea E-Bike Systems Gen2 elektrischem Unterstützungssystem mit Shimano Motoren EP801/EP8 und RS Mountain Control Firmware.

Zur Kompatibilität der Komponenten des Orbea Ebike Systems mit den E-Bike-Modellen von Orbea siehe [hier](#).

### TECHNISCHE DATEN

#### EXTERNER AKKU RANGE EXTENDER 210 WH GEN2

<b>SPANNUNG</b>	36 V
<b>KAPAZITÄT</b>	210 Wh
<b>GEWICHT</b>	Circa 1,03 kg
<b>ZELLEN</b>	Lithium-Ionen. LG INR21700M58T
<b>LADEDAUER 100 % (2 A) Mit RS Smart Charger Gen2</b>	3 Stunden
<b>LADEDAUER 80 % (2 A) Mit RS Smart Charger Gen2</b>	2 Stunden
<b>TEMPERATURBEREICHE</b>	Aufladen: 0 °C — 40 °C Entladen (Nutzung): -10 °C — 40 °C Aufbewahrung: 0 °C — 35 °C (Luftfeuchtigkeit 5 % — 65 %)
<b>MONTAGE</b>	Spezieller Flaschenhalter am Unterrohr
<b>VERBINDUNG</b>	Rise-spezifisches Kabel 120 mm
<b>WASSERSCHUTZ</b>	IPX6
<b>ZERTIFIZIERUNGEN</b>	ISO13849 > ISO13849-1:2015 IEC62133 > IEC62133:2017 UN 38.3 Korea: KC XU103387-24003 US (UL) SGS 802543
<b>KOMPATIBILITÄT</b>	Kompatibel mit Orbea Ebike System Gen2 MC-Systemen <a href="#">Siehe Kompatibilitätstabelle</a>



## AUFLADEN DES RANGE EXTENDERS

### WARNUNG

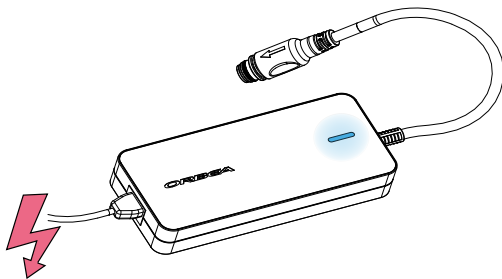
Lade den Range Extender vor der erstmaligen Verwendung vollständig auf.

Zur Verlängerung der Akkulebensdauer den Range Extender nach der Benutzung schnellstmöglich wieder aufladen.

Das Ladegerät sollte nicht über längere Zeit ununterbrochen an den Akku angeschlossen bleiben. Zudem sollte der Ladevorgang beaufsichtigt werden, damit das Ladegerät bei Feststellung von Störungen wie Rauchentwicklung, Brandgeruch oder Feuer abgetrennt werden kann. Der RS Smart Charger ist so konzipiert, dass der Ladevorgang beendet wird, sobald der Akku vollständig aufgeladen ist. Dadurch werden die Akkuzellen vor Beschädigung geschützt und der Akku kann bedenkenlos aufgeladen werden. Es wird jedoch empfohlen, den Ladevorgang zu überwachen, um Schäden im Falle einer Funktionsstörung des Ladegeräts zu vermeiden.

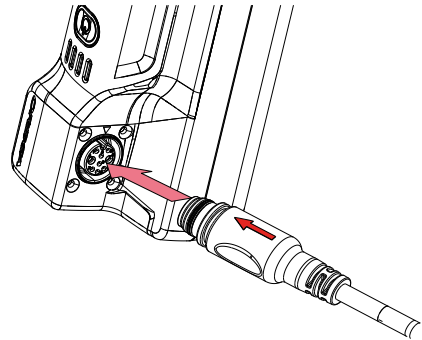
Lithium-Akkus sind während des Ladevorgangs temperaturempfindlich. Halte stets die in der Tabelle der technischen Daten für den Range Extender angegebenen Temperaturbereiche für die Aufladung, Entladung und Aufbewahrung ein.

1



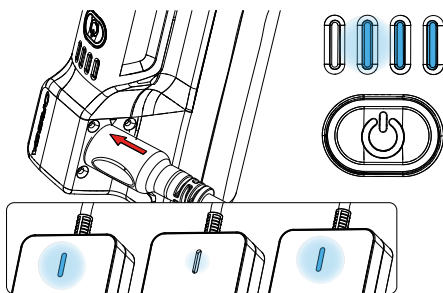
Schließe den Smart Charger Gen2 an eine Netzsteckdose an. Die LED am Ladegerät blinkt blau, wenn das Ladegerät nicht mit dem Akku verbunden ist.

2



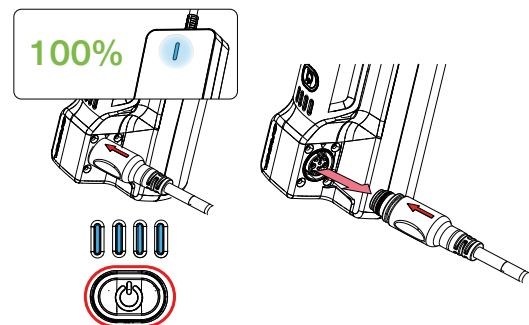
Verbinde nun das Ladegerät mit dem Range Extender. Achte dabei darauf, dass die Stifte an Ladebuchse und Stecker zusammenpassen.

3



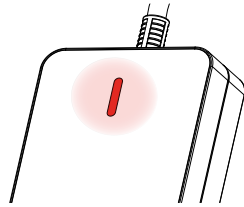
Die LED am Ladegerät leuchtet daraufhin zwei Sekunden lang blau, worauf ein zyklisches Aufleuchten und allmähliches Ausblenden bis zur vollständigen Aufladung des Akkus folgt. Beim Aufladen des Range Extenders zeigen die Ladestandanzeige-LEDs den aktuellen Akkustand an. Die blinkende LED zeigt den Prozentanteil (in 25%-Schritten) an, der gerade aufgeladen wird.

4



Wenn der Akku vollständig aufgeladen ist, leuchtet die LED am Ladegerät wieder konstant blau. Du kannst den Ladestand des Range Extenders durch Drücken der Einschalttaste überprüfen. Trenne das Ladegerät von der Ladebuchse, indem du vorsichtig am Stecker des Ladegeräts ziehst.

Continues next page >

**ERROR!**

Wenn die LED am Ladegerät beim Anschluss des Ladegeräts an die Steckdose oder während des Ladevorgangs rot leuchtet, liegt eine Störung vor. Trenne das Ladegerät umgehend ab und lies den Abschnitt zur Störungsbeseitigung am Ladegerät in diesem Handbuch. Sollte sich das Problem nicht beheben lassen, setze dich mit einem autorisierten Orbea Händler in Verbindung.

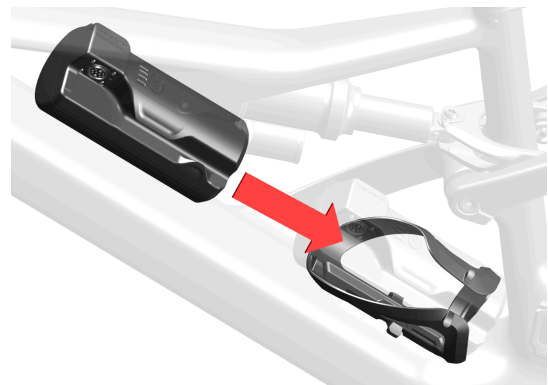
## MONTAGE DES RANGE EXTENDERS

1



Falls die spezifische Halterung für den RS 210 Wh Range Extender nicht an dem kompatiblen Bike montiert ist, montiere diese mit den am Rahmen befindlichen Originalschrauben (ohne Unterlegscheiben zwischen der Range Extender-Halterung und dem Rahmen).

2



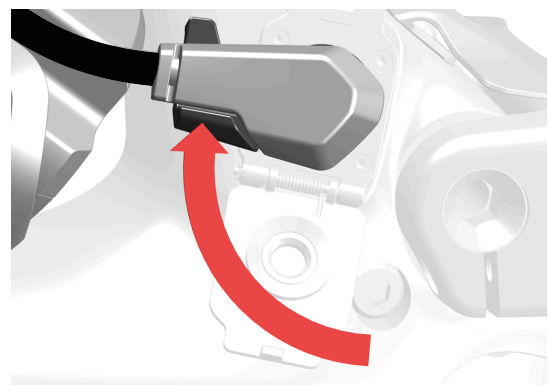
Setze den Range Extender Akku von der linken Seite des Bikes aus in die Halterung ein.

3



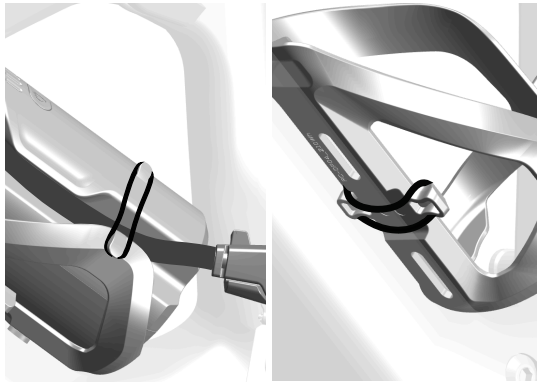
Setze das Ende des speziellen RS 210 Wh Range Extender Verbindungskabel, das keine Lasche besitzt, in den externen Akku ein. Öffne die Abdeckung der Ladebuchse des Bikes und stecke das andere Ende des Range Extender-Anschlusskabels dort ein. Öffne die Sicherungsglasche am Kabelstecker, bevor du es einsteckst, und schließe dann das Kabel an der Ladebuchse an.

4



Nachdem du Das Kabel in die Ladebuchse eingesteckt hast, schließe die Sicherungsglasche am Anschluss, um die Verbindung zu sichern.

5



Sichere den Akku in der Halterung mithilfe des beiliegenden Gummiriemens. Bei Nichtgebrauch des Range Extender Akkus kann der Gummiriemen unten in der Halterung verbleiben.

## FUNKTIONSWEISE DES RANGE EXTENDERS

---

### LEISTUNGSABGABE AN DEN MOTOR

---

Der Range Extender versorgt die Shimano Motoren EP801 und EP6 unmittelbar mit Energie. Wenn du dein Orbea Bike mit einem kompatiblen, angeschlossenen Range Extender benutzt, versorgt nur der Range Extender den Motor mit Strom, bis die Ladung des Range Extenders aufgebraucht ist.

Erst im Anschluss daran versorgt der integrierte Akku den Motor mit Strom – vorausgesetzt, der integrierte Akku verfügt über eine entsprechende Restladung. Auf dem Display, der Remote-Einheit bzw. dem Datenfeld der Orbea RS Toolbox wird dann nur der Ladestand des integrierten Akkus angezeigt.

### VERBINDUNG MIT DEM FAHRRAD

---

Wenn du den Range Extender an dein ausgeschaltetes Bike angeschlossen hast, erkennt das Unterstützungssystem beim Einschalten des Bikes den externen Akku als eine seiner Komponenten und nutzt nur den Range Extender zur Energieversorgung für den Motor. Die Taste am Range Extender muss nicht betätigt werden, um diesen einzuschalten.

Wenn du den Range Extender an dein bereits eingeschaltetes Bike anschließt, erkennt das Unterstützungssystem den externen Akku als eine seiner Komponenten und nutzt nur den Range Extender zur Energieversorgung für den Motor. Die Taste am Range Extender muss nicht betätigt werden, um diesen einzuschalten.

**AUSSCHALTEN DES ANS E-BIKE ANGESCHLOSSENEN RANGE EXTENDERS:** Wenn der Range Extender an das Bike angeschlossen und das Bike eingeschaltet ist, kannst du den Range Extender durch 3-sekündiges Gedrückthalten der Haupttaste am Range Extender ausschalten. In diesem Fall bleibt das Bike eingeschaltet und das System bezieht seine Energie vollständig aus dem integrierten Akku.

Es ist nicht möglich, den Range Extender durch Drücken der Haupttaste am Range Extender wieder einzuschalten, während dieser an das eingeschaltete Bike angeschlossen ist. Hierfür muss das E-Bike (bei noch angeschlossenem Range Extender) ausgeschaltet und dann wieder eingeschaltet werden, damit das System den externen Akku wieder erkennen kann.

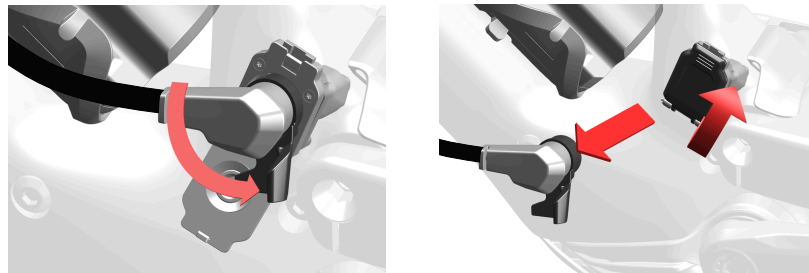
Wird der Range Extender vom eingeschalteten Bike getrennt (nachdem der Range Extender ausgeschaltet wurde) und der Range Extender wieder an das eingeschaltete Bike angeschlossen, erkennt das System den Range Extender nicht. Damit das System den Range Extender erkennt, muss das Bike aus- und wieder eingeschaltet werden.

### TRENNEN DES RANGE EXTENDERS

---

Zum Trennen des Range Extenders vom Bike die Sicherungslasche am Range Extender Anschlusskabel drehen und den Range Extender Kabelstecker vorsichtig abziehen. Nach dem Abziehen des Kabels die Abdeckung der Ladebuchse am Bike schließen.

Wird der Range Extender bei eingeschaltetem Bike von dessen Ladebuchse getrennt, schaltet sich das Bike aus und es muss erneut eingeschaltet werden, damit das System vollständig vom integrierten Akku gespeist wird.



## LEISTUNGSBEGRENZUNGSFUNKTION

### WARNUNG

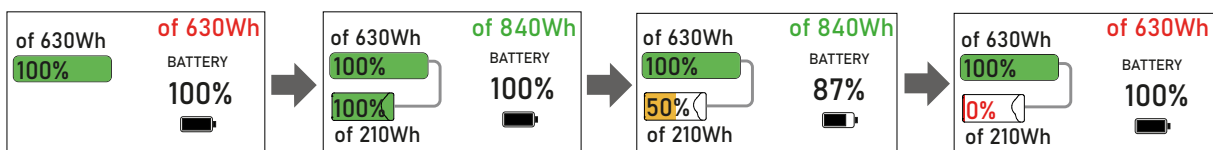
Bei ans Bike angeschlossenem Range Extender begrenzt der Motor die Leistungsabgabe entsprechend der Stromabgabekarakteristik des Range Extenders, um die Akkulebensdauer zu verlängern. Die Unterstützungscharakteristik in den einzelnen Stufen und die Option zum Wechseln der Unterstützungsstufen bewegen sich innerhalb dieser Begrenzung. Diese Leistungsabgabebegrenzung kann sich in höheren Unterstützungsstufen bemerkbar machen. Orbea empfiehlt, die Unterstützungs- und Drehmomentcharakteristiken der Unterstützungsstufen nicht mithilfe der Shimano E-Tube App nach oben zu korrigieren. Die Motoreinstellungen an mit dem Range Extender kompatiblen Bikes sind für die Verwendung des integrierten Akkus in Verbindung mit dem Range Extender optimiert.

## ANZEIGE DES LADESTANDS

### KOMBINIERTER LADESTAND

Wenn der Range Extender mit dem Bike verbunden ist (siehe Abschnitt „Anschluss“), berechnet das System die Gesamtkapazität beider Akkus und liefert die Information über den Ladestand des Systems als Summe des Ladestands und der Kapazität beider Akkus. Der kombinierte Akkuladestand wird über die Bedieneinheit oder das Display von Shimano und/oder das Orbea RS Toolbox Datenfeld für Garmin Geräte angezeigt.

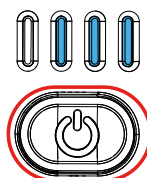
Wenn der Range Extender mit dem Fahrrad verbunden und seine Akkuladung aufgebraucht ist, zeigt das System über das Display, die Schaltereinheit bzw. Orbea RS Toolbox (abhängig von der jeweiligen Installation) nur die verfügbare Ladung des integrierten Akkus an. Es wird also nur die Kapazität des integrierten Akkus und nicht die Systemgesamtkapazität von integriertem Akku plus Range Extender berücksichtigt.



\* Diese Grafik zeigt das Verhalten des Range Extender in Kombination mit dem integrierten Orbea RS Akku mit 630 Wh. Besitzt der integrierte Akku eine andere Kapazität, wird dementsprechend auch eine andere Gesamtkapazität angezeigt.

### LADESTAND DES RANGE EXTENDERS SEPARAT

Drücke einmal auf die Haupttaste am Range Extender, um den Ladestand zu ermitteln. Die LEDs zeigen daraufhin fünf Sekunden lang den aktuellen Ladestand in 25%-Schritten von rechts nach links an.



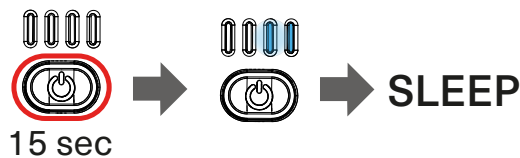
## AUFBEWAHRUNG DES RANGE EXTENDERS

### WARNUNG

Wird der Range Extender längere Zeit nicht genutzt, lade ihn vor der Aufbewahrung auf etwa 50 % seiner Kapazität auf. Überprüfe alle drei Monate den Ladestand und lade ihn ggf. wieder auf 50 % auf. Lasse den Ladestand niemals unter 10 % sinken, damit die Zellen nicht beschädigt werden.

### SCHLAFMODUS

Wenn der Range Extender längere Zeit nicht genutzt werden soll, empfiehlt Orbea, ihn zum Schutz des Akkus in den Schlafmodus zu versetzen. Hierfür die Haupttaste des Range Extenders 15 Sekunden lang gedrückt halten. Die LEDs 1 und 2 leuchten nacheinander auf und erlöschen dann. Der Range Extender befindet sich nun im Schlafmodus. Zum Reaktivieren den Smart Charger Gen2 an den Range Extender anschließen (bei ans Stromnetz angeschlossenem Ladegerät). Der Range Extender wird sofort reaktiviert und der Ladevorgang beginnt.



**AUTOMATISCHER SCHLAFMODUS:** Bleibt die Ladespannung des Range Extenders über 7 Tage unter 31 V oder über 3 Monate unter 35 V, wird der Range Extender automatisch in den Schlafmodus versetzt. Um ihn zu reaktivieren, den Smart Charger Gen2 an den Range Extender anschließen (bei ans Stromnetz angeschlossenem Ladegerät). Der Range Extender wird sofort reaktiviert und der Ladevorgang beginnt.

### WARNUNG

Vor der Verwendung des Range Extenders ist es insbesondere nach längerem Nichtgebrauch ratsam, zur Überprüfung seines Status die Haupttaste zu drücken. Wenn nach Betätigen der Haupttaste die LEDs aufleuchten und den Ladestatus anzeigen, ist der Range Extender betriebsbereit. Leuchten die LEDs nicht auf, kann der Range Extender Akku entladen oder in den Schlafmodus versetzt sein. In diesem Fall den Smart Charger Gen2 an den Range Extender anschließen (bei ans Stromnetz angeschlossenem Ladegerät). Der Range Extender wird sofort reaktiviert und der Ladevorgang beginnt.

## PRÜFEN DES AKKUZUSTANDS DES RANGE EXTENDERS

Der Zustand (die Lebensdauer) von Lithium-Ionen-Akkus wird durch die Anzahl der Ladezyklen sowie die Nutzungsbedingungen während der Akkulebensdauer beeinflusst.

Unter normalen Nutzungsbedingungen und Einhaltung der Umgebungsbedingungen und Temperaturbereiche für Nutzung, Aufladung und Aufbewahrung reduziert sich die Lebensdauer der Orbea E-Bike Systems Akkus nach 500 vollständigen Ladezyklen um ungefähr 20 %.

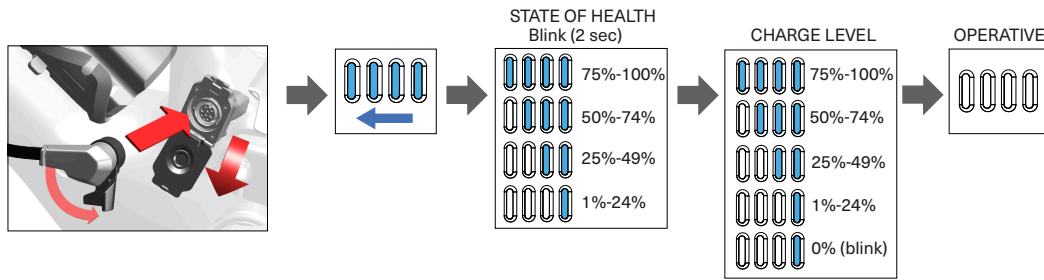
### WARNUNG

Bei dieser Aussage zum Akkuzustand wird von idealen Nutzungsbedingungen ausgegangen. Unter anderem die Nutzung, Aufladung und Aufbewahrung bei Kälte, eine längere Aufbewahrung des Akkus ohne Wiederherstellung des empfohlenen Ladestands und der wiederholte Einsatz des Akkus bei sehr niedrigem Ladestand können sich nachteilig auswirken.

Um den Akkuzustand deines Range Extender zu ermitteln, schließe ihn an ein kompatibles Fahrrad an (das Fahrrad schaltet sich von selbst aus, wenn es eingeschaltet war) und schalte das Fahrrad dann mit angeschlossenem Range Extender ein.

Die vier LEDs am Range Extender leuchten daraufhin von rechts nach links auf und zeigen anschließend durch zwei Sekunden langes Blinken den Akkuzustand an. Danach wird der aktuelle Ladestand durch konstantes Leuchten angezeigt, woraufhin die LEDs erlöschen.





## FEHLERBESEITIGUNG

Wenn der Range Extender nicht lädt oder den Motor nicht mit Strom versorgt, drücke einmal auf die Haupttaste am Range Extender. Wird ein Fehler im Akku festgestellt, zeigen die LEDs den Fehlercode an. In der folgenden Tabelle findest du Informationen zu den verschiedenen Fehlern und den Maßnahmen zur Fehlerbehebung.

### WARNUNG

Wo in der folgenden Tabelle die Aufforderung „Kontaktiere Orbea“ erscheint, richtet sich diese Abhilfemaßnahme bei der Akkudiagnose an Orbea Händler:innen.

Kann ein Fehler oder eine Störung anhand der Anweisungen in der folgenden Tabelle nicht selbst behoben werden, sollte ein autorisierter Orbea Händler kontaktiert werden. Dieser wird dann bei Orbea eine Supportanfrage einreichen.

ZUSTAND	MÖGLICHE URSACHE	ABHILFEMASSNAHME
Motor wird nicht mit Strom versorgt	Das Kabel ist nicht richtig angeschlossen	Schließe das Kabel korrekt wie im Nutzerhandbuch beschrieben an
Der Akku lädt nicht auf	Keine richtige Verbindung mit dem Ladegerät oder Problem mit der Netzsteckdose	Prüfe die Anschlüsse des Ladegeräts. Siehe Problemlösungen für das Ladegerät
	100 % aufgeladen	Der Akku funktioniert

BLINKT	LEDs	VERHALTEN DER LEDs	FEHLER	ABHILFEMASSNAHME
		Blinkt	Spannung/Ladestand zu niedrig. Der Range Extender schaltet sich aus.	Lade den Akku mit dem RS Gen2 Smart Charger auf.
		Blinkt	Temperaturschutz. Der Range Extender schaltet sich aus.	Warte, bis die Temperatur innerhalb des Nutzungsbereichs liegt.
		Blinken einmal pro Sekunde	Überstromschutz Das Bike schaltet sich aus.	Warte 30 Sekunden lang, bevor du den Akku erneut nutzt
		Blinken fünfmal pro Sekunde	Starker Überstrom oder Kurzschlusschutz. Das Bike schaltet sich aus.	Trenne den externen Akku. Untersuche die Anschlüsse. Schließe den externen Akku an und schalte das System ein.
		Blinkt	Akkuzellen- oder Hardwarefehler	Kontaktiere Orbea

Kontaktiere Orbea, wenn sich das Problem nicht beheben lässt.

## SMART CHARGER 2A-4A GEN2

### WARNUNG

Für die technischen Daten des Smart Charger Gen 2 siehe den Abschnitt „Technische Daten des E-Bike Systems Gen 2“ in diesem Handbuch.

Warnhinweise und Anwendungsempfehlungen für das Ladegerät findest du im Abschnitt „Warnhinweise zur Verwendung des elektrischen Antriebssystems“ in diesem Handbuch.

Zur Kompatibilität der Komponenten des Orbea Ebike Systems mit den E-Bike-Modellen von Orbea siehe [hier](#).

### VARIABLER LADESTROM

Der RS Smart Charger erkennt, an welchem Akku (integrierter Akku oder Range-Extender) er angeschlossen ist und passt den Ladestrom entsprechend an.

Der Ladestrom für den integrierten Akku beträgt 4 A (100 - 240 V). Der Ladestrom des Range Extender beträgt 2 A (100 - 240 V). Bis zu einem Ladestand von 80 % werden die Akkus schneller geladen, danach reduziert sich die Ladegeschwindigkeit bis zur vollständigen Aufladung (100 %).

### VERWENDUNG DES RS GEN2 SMART CHARGERS

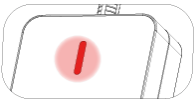
#### WARNUNG

Zur Verwendung des Smart Charger Gen2 siehe den Abschnitt „Aufladen des Akkus“ in diesem Handbuch.

#### BEDEUTUNG DER SMART CHARGER-LED

LED	VERHALTEN	ZUSTAND
	Blaue LED blinkt	Ladegerät wird mit Strom versorgt, ist aber nicht mit dem Akku verbunden
	Blue LED wechselt zwischen ein und aus	Akku wird geladen
	Dauerhaft blau leuchtende LED	Ladevorgang abgeschlossen
	Dauerhaft rot leuchtende LED	Fehler. Siehe Tabelle zur Störungs-beseitigung

## STÖRUNGSBESEITIGUNG AM SMART CHARGER RS GEN2

LED	MÖGLICHER FEHLER Maßnahmen in angegebener Reihenfolge ergreifen	ABHILFEMASSNAHME
	Schutz für zu hohen Strom	<p>Trenne den Akku</p> <ul style="list-style-type: none"> <li>- Untersuche das Kabel und die Ladebuchse auf Schmutz, Feuchtigkeit und Fremdkörper.</li> <li>- Sollte sich das Problem nicht beheben lassen, setze dich mit einem Orbea-Händler in Verbindung.</li> </ul>
	Kurzschlusschutz	<ul style="list-style-type: none"> <li>- Trenne den Akku</li> <li>- Untersuche das Kabel und die Ladebuchse auf Schmutz, Feuchtigkeit und Fremdkörper.</li> <li>- Sollte sich das Problem nicht beheben lassen, setze dich mit einem Orbea-Händler in Verbindung.</li> </ul>
	Übertemperaturschutz	<ul style="list-style-type: none"> <li>- Warte, bis die Temperatur des Ladegerätes innerhalb des Ladetemperaturbereichs liegt.</li> <li>- Sollte sich das Problem nicht beheben lassen, setze dich mit einem Orbea-Händler in Verbindung.</li> </ul>
	Stand-by-Schutz	<ul style="list-style-type: none"> <li>- Zeitüberschreitung bei Anschlussdauer des Ladegeräts an den Akku bzw. eine Steckdose ohne zu laden.</li> </ul>
	Schutz bei Kommunikationsstörung	<ul style="list-style-type: none"> <li>- Wende dich an einen Orbea-Händler.</li> </ul>
	Schutz bei zu hoher Spannung.	<ul style="list-style-type: none"> <li>- Die Akkuspannung ist zu hoch.</li> <li>- Wende dich an einen Orbea-Händler.</li> </ul>

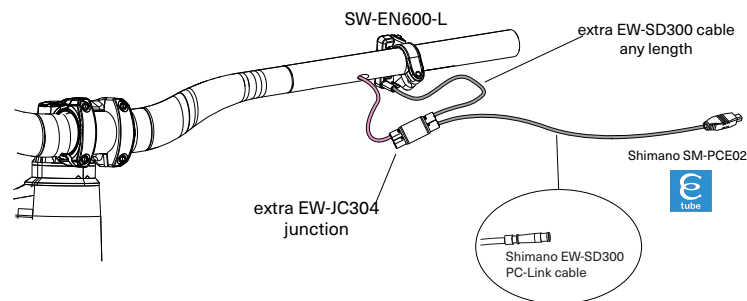


## VERBINDUNG DER ANDEREN AUSSTATTUNGSVARIANTEN

- Aufbauten mit Display SC-EN600 und elektronischer Di2-Schaltung
- Aufbauten ohne Display mit elektronischer Di2-Schaltung
- Aufbauten ohne Display mit mechanischer Schaltung (nicht-Di2)

Bei diesen Ausstattungsoptionen muss ein freier Anschluss geschaffen werden, um das gesamte System mit dem Interface SM-PCE2 zu verbinden.

Dazu trennst du das Di2 SD300 Kabel von der Schaltereinheit SW-EN600-L und verwendest einen Shimano Vierfachstecker vom Typ EW-JC304 sowie ein zusätzliches, beliebig langes SD300 Kabel, um einen freien Anschluss im System zu schaffen. Schließe das PC-Link-Kabel vom Typ EW-SD300 an den freien Anschluss des Steckers EW-JC304 an und verbinde diesen Stecker dann mit dem Interface SM-PCE2.



## MONTAGE ELEKTRONISCHER ANTRIEBE UND BIKES MIT STANDARDMÄSSIG MECHANISCHER KONFIGURATION

Bei E-Bikes mit Motor EP801/EP6, die von Orbea ursprünglich mit mechanischer Schaltung aufgebaut wurden und bei denen das Schaltwerk durch ein Di2-kompatibles elektronisches Schaltwerk ersetzt wird, muss die Konfiguration des E-Bikes geändert werden, damit die neuen Komponenten erkannt werden können. Wenn die Konfiguration nicht geändert wird, zeigt das System beim Starten des Bikes einen Komponentenfehler an und stellt keine elektrische Unterstützung bereit.

Diese Konfigurationsänderung kann weder durch Endnutzer noch durch Händler über E-Tube Cyclist oder Professional durchgeführt werden. Vielmehr muss der Händler sich an Orbea oder Shimano wenden, um die Konfigurationsänderung per Remote-Zugriff durchführen zu lassen.

## ORBEA EBIKE SYSTEMS GEN2 AKKUS IN ETUBE PROFESSIONAL

Der Orbea Akku Gen2 wird als Bestandteil des Shimano EP801/EP6S-Systems angezeigt, wenn das System über das Diagnosetool SM-PCE02 von Shimano mit ETube Professional verbunden wird.

Du kannst das Diagnosetool SM-PCE02 nutzen, um wichtige Informationen zum Akku wie beispielsweise Firmwareversion und Ladezyklen unter der Registerkarte „Wartung“ abzurufen.

Eine Diagnose der integrierten Orbea Gen2-Akkus ist über E-Tube Professional nicht möglich. Bei einer Störung am elektrischen Antriebssystem verwende E-Tube Professional, um auszuschließen, dass das Problem auf eine Shimano Systemkomponente zurückzuführen ist. Setze dich mit Shimano in Verbindung und lass dem Kundensupport einen Systembericht zukommen. Wenn Shimano dir mitteilt, dass das Problem mit dem integrierten Akku zusammenhängt, wende dich über eine Supportanfrage an Orbea.

## ANSCHLIESSEN VON BELEUCHTUNG AM SHIMANO MOTOR EP801/EP6 RS

---

### WARNUNG

Das Rise ist nicht für den Anschluss von Beleuchtung am Motor ausgelegt. Deshalb liegt die Verantwortung bei Ausführung einer solchen Installation bei demjenigen, der sich dafür entscheidet, also dem/der Nutzer: in und/oder dem Shimano Fachhandel.

**WARNUNG:** Durch das Nachrüsten von Beleuchtung am Motor kann sich die Reichweite deines Fahrrads erheblich verringern.

Im Abschnitt zur Verkabelung in diesem Handbuch findest du die Optionen zu den SIC-Dichtungen für die Kabelführung am Steuersatz HS02 und sowie zum Kabelausgang für den Frontscheinwerfer bei gewünschter Installation. Die Rise-Aufbauten von Orbea verfügen über keine Beleuchtung. Orbea haftet nicht für die Kompatibilität von Nachrüstbeleuchtung, die selbst oder vom Fachhandel installiert werden. Vergewissere dich vor dem Einbau, dass die Komponenten kompatibel sind.

Beim Shimano Motor EP801/EP6S kann Beleuchtung an den Lichtports des Motors angeschlossen werden (blankes Kabel).

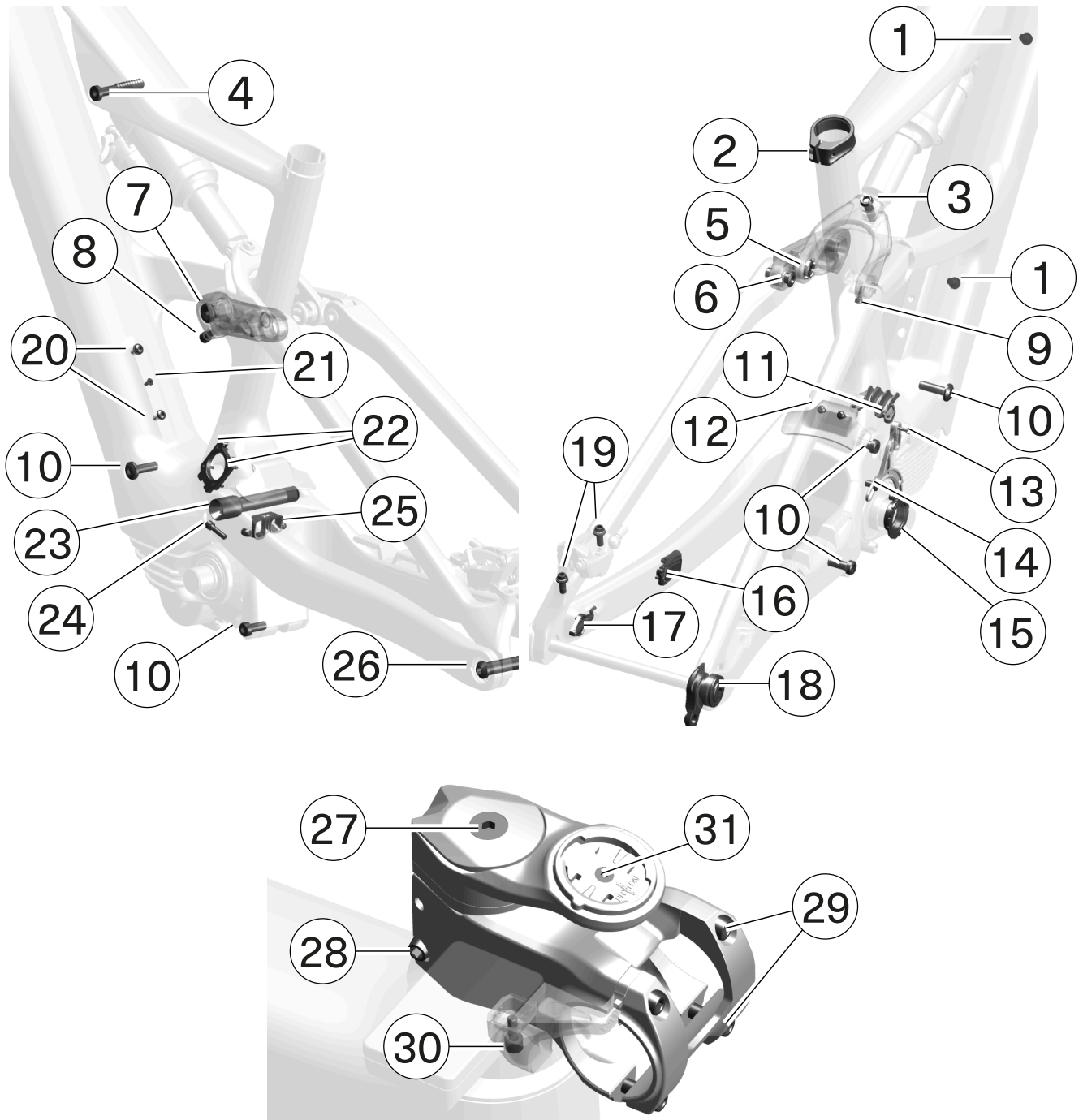
Bei der Lieferung des Rise sind die Lichtports am Motor deaktiviert. Ein autorisierter Shimano Fachhandel kann die Lichtports jedoch über Etube Professional aktivieren, indem er das Fahrrad mit dem Interface SM-PCE02 verbindet.

Es kann ausgewählt werden, ob die Lichter beim Einschalten des Fahrrads immer leuchten sollen oder ob sie beim Fahren über das Display einschaltbar sind.

### WARNUNG

**WARNUNG:** Es kann gesetzlich vorgeschrieben sein, dass ein E-Bike automatisch einen bestimmten Prozentsatz der Akkula-dung zur Gewährleistung der Beleuchtung über einen gewissen Zeitraum reserviert, wenn der Akku nur noch eine geringe Restladung hat. In diesem Fall wird die Motorunterstützung deaktiviert. Beachte grundsätzlich die Bestimmungen des Lan-des, in dem du dein Fahrrad nutzt.

## 23 ANZUGSDREHMOMENTE. ÜBERSICHT



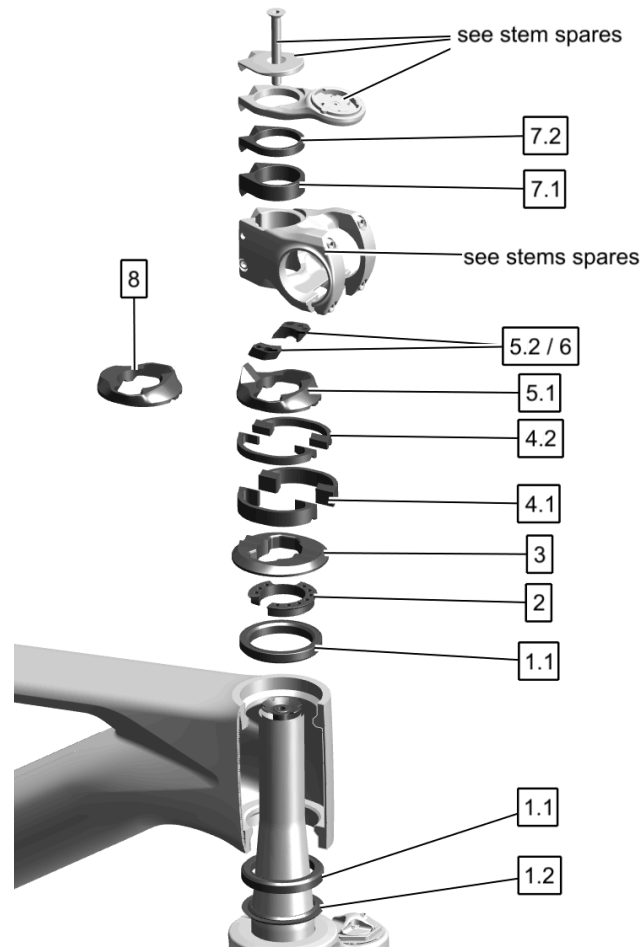
NUMMER	KOMPONENTE	WERKZEUG	SW	ANZUGSDREHMOMENT
1	Befestigungsschrauben für integrierten Akku	Innensechskantschlüssel	4 mm	5 Nm
2	Sattelstützenklemmung	Innensechskantschlüssel	4 mm	5 Nm
3	Dämpferbefestigung an der LT-Dämpferverlängerung	Innensechskantschlüssel	6 mm	8 Nm

NUMMER	KOMPONENTE	WERKZEUG	SW	ANZUGSDREHMOMENT
	Dämpferbefestigung an der SL-Dämpferverlängerung aus Aluminium	Innensechskantschlüssel	5 mm	8 Nm
4	Dämpferbefestigung am Rahmen	Innensechskantschlüssel	5 mm	10 Nm
5	Verbindungsachsen Dämpferverlängerung-Dämpferwippe	Innensechskantschlüssel	6 mm	10 Nm
6	Verbindungsachsen Dämpferwippe-Sitzstrebe	Innensechskantschlüssel	5 mm	10 Nm
7	Vorspannschraube für linken Wippenarm	Innensechskantschlüssel	4 mm	4 Nm
8	Fixierschraube linker Wippenarm	Innensechskantschlüssel	5 mm	10 Nm
9	Fixierschrauben LT-Dämpferverlängerung	Innensechskantschlüssel	3 mm	1 Nm
10	Motor-Rahmen-Befestigungsschrauben	Innensechskantschlüssel	6 mm	12 Nm
11	Schrauben für Motorraum-Kabelführung	Innensechskantschlüssel	2 mm	2 Nm
12	Spoiler-Protectorschrauben (nicht am Rise Hydro)	—	—	—
13	Verschraubung der Kettenführung	Innensechskantschlüssel	2,5 mm	2,5 Nm
14	Verschraubung Kettenführung-Motor	Innensechskantschlüssel	4 mm	4 Nm
15	Kettenblatt-Sicherungsring	TL-FC430	4 mm	35-45 Nm
16	Schrauben für Kabelführung linke Kettenstrebe	Innensechskantschlüssel	2 mm	2 Nm
17	Geschwindigkeitssensorschrauben	Torx	T2	2 Nm
18	Schraube Schaltauge Sram UDH (Umkehrgewinde)	Innensechskantschlüssel	8 mm	25 Nm
19	Bremssattelschrauben	Innensechskantschlüssel	5 mm	6-8 Nm
20	Flaschenhalterschrauben	Innensechskantschlüssel	3 mm	5 Nm
21	Schrauben für Flaschenhalter-Innenplatte	Innensechskantschlüssel	2 mm	2 Nm
22	Schrauben für Ladebuchsenabdeckung	Torx	T1,5	0,5 Nm
23	Hauptdrehpunktachse des Hinterbaus	Innensechskantschlüssel	10 mm	20 Nm
24	Kettenstrebenschraube Hauptdrehpunkt links	Innensechskantschlüssel	4 mm	6 Nm
25	Cable Pass Kabelführungsschrauben	Innensechskantschlüssel	2 mm	2 Nm
26	Hinterradachse	Innensechskantschlüssel	6 mm	10 Nm
27	MC-Vorbau-Vorspannschraube	Innensechskantschlüssel	4 mm	8 Nm
28	Gabelklemmschrauben MC-Vorbau	Innensechskantschlüssel	4 mm	6 Nm
29	Vorbau-Klemmplattenschrauben MC10/MC20	Innensechskantschlüssel	4 mm	6 Nm
	Vorbau-Klemmplattenschrauben MC11	Innensechskantschlüssel	4 mm	5 Nm
30	Befestigungsschraube für Display-Haklterung MC11-Vorbau	Innensechskantschlüssel	2,5 mm	0,6 Nm
31	Schraube für OC CM-05 GPS-Halterungsadapter	Innensechskantschlüssel	2 mm	2 Nm











## STEUERSATZ

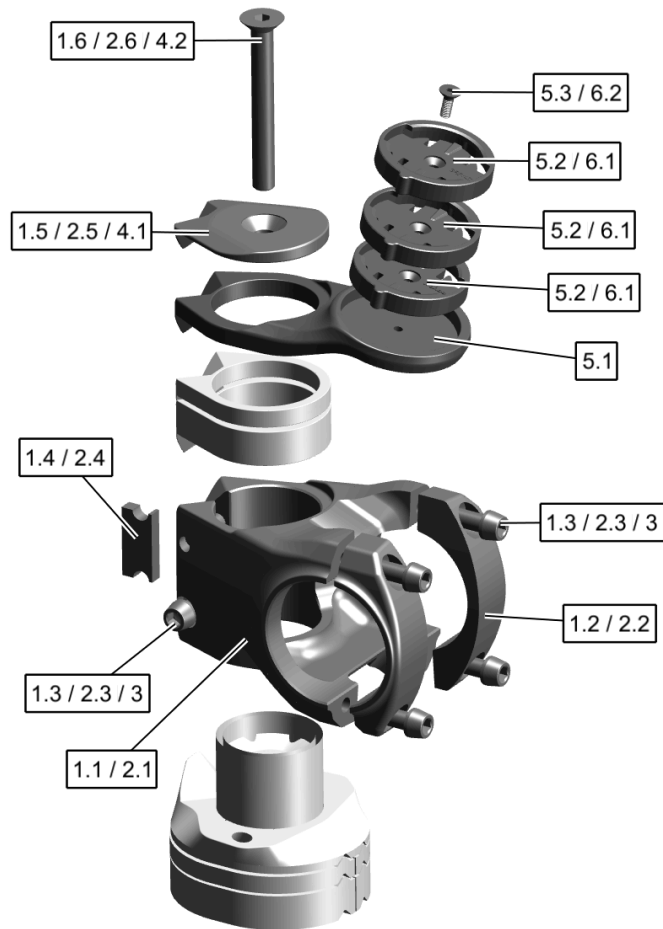


Für Online-Bestellung die Teilenummer anklicken



<b>1. STEUERSATZLAGER HS02 + GABELKONUS</b>		<b>TEILE-Nr.: XC50</b>
		<b>ANZ.</b>
	1.1. Gabelkonus 1,5 45°	1
	1.2. Steuersatzlager 1,5 (52 x 40 x 7 mm. 45°/45°)	2
<b>2. ZENTRIERING ALU 1-1/8 HS02-01</b>		<b>TEILE-Nr.: XC51</b>
		<b>ANZ.</b>
	2 Zentrierring Aluminium 1-1/8 HS02-01	1
<b>3. STEUERSATZDECKEL HS02-14. REGULAR STACK</b>		<b>TEILE-Nr.: XC89</b>
		<b>ANZ.</b>
	3 Steuersatzdeckel HS02-14	1





<b>4. STEUERSATZ-SPACERKIT HS02 ALU ZWEITEILIG</b>		<b>TEILE-Nr.: XC55</b>
		<b>ANZ.</b>
	<b>4.1</b> Steuersatz-Spacer zweiteilig 10 mm HS02-04	2
	<b>4.2</b> Steuersatz-Spacer zweiteilig 5 mm HS02-03	2
<b>5. KABELFÜHRUNG SIC SPB HS02-05. REGULAR STACK</b>		<b>TEILE-Nr.: XC56</b>
		<b>ANZ.</b>
	<b>5.1</b> Kabelführung SIC HS02-05. Regular Stack.	1
	<b>5.2</b> Kabeldurchführungs-Kit für Kabelführung SIC HS02 (L1, L2, L3, R1, R2, R2e, R3)	1
<b>6. SIC KABELFÜHRUNG HS02 DICHTUNGS-KIT</b>		<b>TEILE-Nr.: XC57</b>
		<b>ANZ.</b>
	<b>6.1</b> Dichtung SIC L1 HS02-42. 4 mm + 4 mm blind	1
	<b>6.2</b> Dichtung SIC L2 HS02-43. 4 mm + 4 mm	1
	<b>6.3</b> Dichtung SIC L3 HS02-44. 4 mm + 4 mm + 3 mm	1
	<b>6.4</b> Dichtung SIC R1 HS02-45. 5 mm	1
	<b>6.5</b> Dichtung SIC R2 HS02-46. 4 mm + 5 mm	1
	<b>6.6</b> Dichtung SIC R2e HS02-47. 3 mm + 5 mm	1
	<b>6.7</b> Dichtung SIC R3 HS02-48. 4 mm + 3 mm + 3 mm	1
<b>7. STEUERSATZ-SPACER-SET HS02. RUND</b>		<b>TEILE-Nr.: XC58</b>
		<b>ANZ.</b>
	<b>7.1</b> HS02-8 Steuersatz-Spacer (10 mm)	2
	<b>7.2</b> HS02-7 Steuersatz-Spacer (5 mm)	2
<b>8. KABELFÜHRUNG SIC NO-SPB HS02-06. UNIVERSAL</b>		<b>TEILE-Nr.: XC60</b>
Für die Verwendung von Nicht-OC MC HS02 Standardvorbauten am HS02-Steuersatz		<b>ANZ.</b>
	<b>8.1</b> Universal-Kabelführung SIC HS02-06 Regular Stack.	1
	<b>8.2</b> Kabeldurchführungs-Kit für Kabelführung SIC HS02 (L1, L2, L3, R1, R2, R2e, R3)	1

## VORBAUTEN OC MC10/MC20



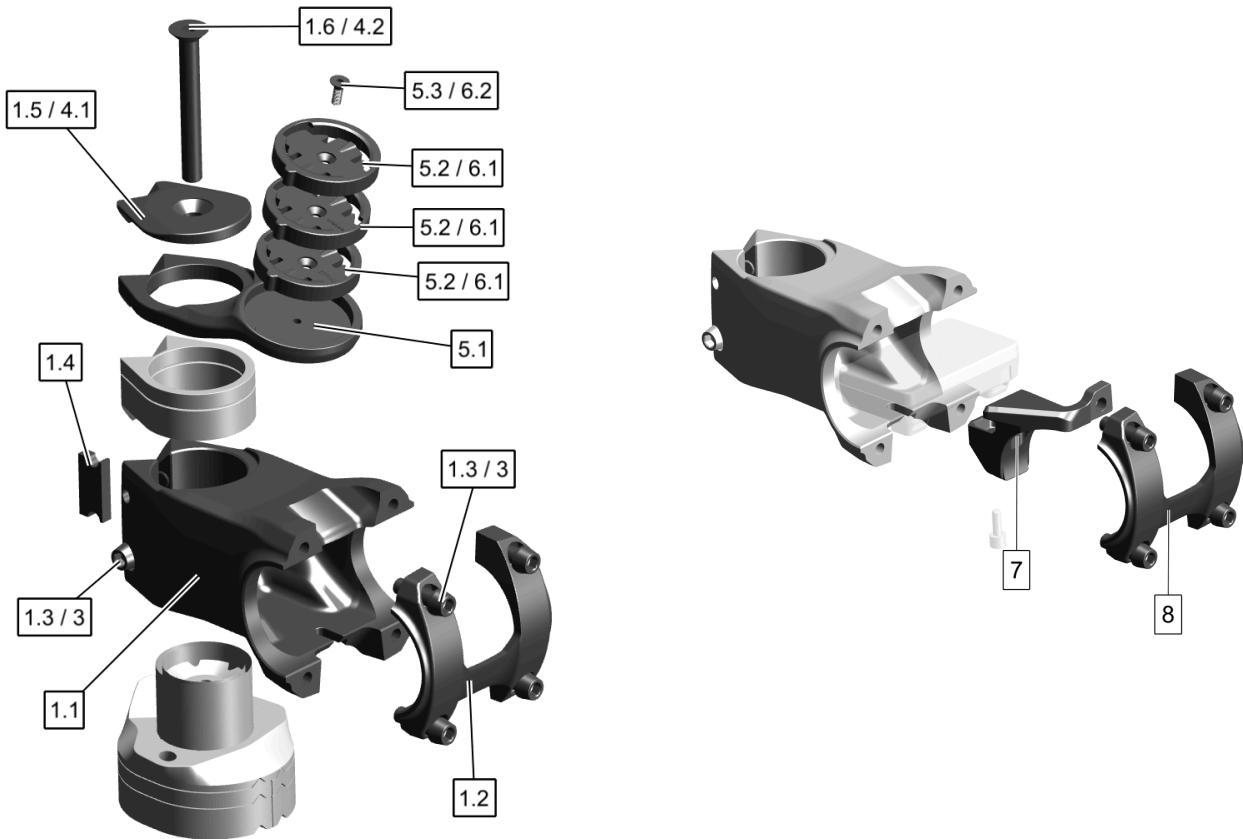
Für Online-Bestellung die Teilenummer anklicken

1. VORBAU OC ST-MC10		TEILE-Nr.: C025
		ANZ.
	1.1. Vorbau OC ST-MC10 (35 mm - 40 mm - 50 mm)	1
	1.2. Vorbauklemmplatte OC ST-MC10	1
	1.3. Schraube mit konischem Kopf M5 x 15 R8. CrMo	6
	1.4. Gabelschaftklemmungsbegrenzer ST-MC10-11. 20 mm x 3,75 mm	1
	1.5. Vorbaukappe HS02-31. ST-MC10/20	1
	1.6. Schraube M6 x 50 DIN 7991	1
2. VORBAU OC ST-MC20		TEILE-Nr.: C026
		ANZ.
	2.1. Vorbau OC ST-MC20 (35 mm - 40 mm - 50 mm)	1
	2.2. Vorbauklemmplatte OC ST-MC20	1
	2.3. Schraube mit konischem Kopf M5 x 15 R8. CrMo	6
	2.4. Gabelschaftklemmungsbegrenzer ST-MC10-11. 20 mm x 3,75 mm	1
	2.5. Vorbaukappe HS02-31. ST-MC10/20	1
	2.6. Schraube M6 x 50 DIN 7991	1



<b>3. SCHRAUBEN-KIT OC-VORBAUTEN</b>		<b>TEILE-Nr.: XC78</b>
Kompatibel mit allen OC-Vorbauten außer ST-RP21		<b>ANZ.</b>
	<b>3</b> Schraube mit konischem Kopf M5 x 15 R8. CrMo	6
<b>4. ST-MC10/20 VORBAUKAPPE HS02-31</b>		<b>TEILE-Nr.: XC79</b>
		<b>ANZ.</b>
	<b>4.1</b> Vorbaukappe HS02-31. ST-MC10/20	1
	<b>4.2</b> Schraube M6 x 50 DIN 7991	1
<b>5. COMPUTERHALTERUNG OC CM-05</b>		<b>TEILE-Nr.: C052</b>
Für OC ST-MC Vorbauten (Mountain Control)		<b>ANZ.</b>
	<b>5.1</b> Fahrradcomputerhalterung OC CM-05	1
	<b>5.2</b> CT-02 Adapter-Kit für Garmin/Sigma, Wahoo, Bryton	3
	<b>5.3</b> Schraube M3 x 8 DIN 7991	1
<b>6. SIC KABELFÜHRUNG HS02 DICHTUNGS-KIT</b>		<b>TEILE-Nr.: C054</b>
		<b>ANZ.</b>
	<b>6.1</b> CT-02 Adapter-Kit für Garmin/Sigma, Wahoo, Bryton	3
	<b>6.2</b> Schraube M3 x 8 DIN 7991	1






## VORBAU OC ST-MC11

Der Vorbau OC ST-MC11 stem is not offered on Rise Hydro range mounts, but is compatible with the model.

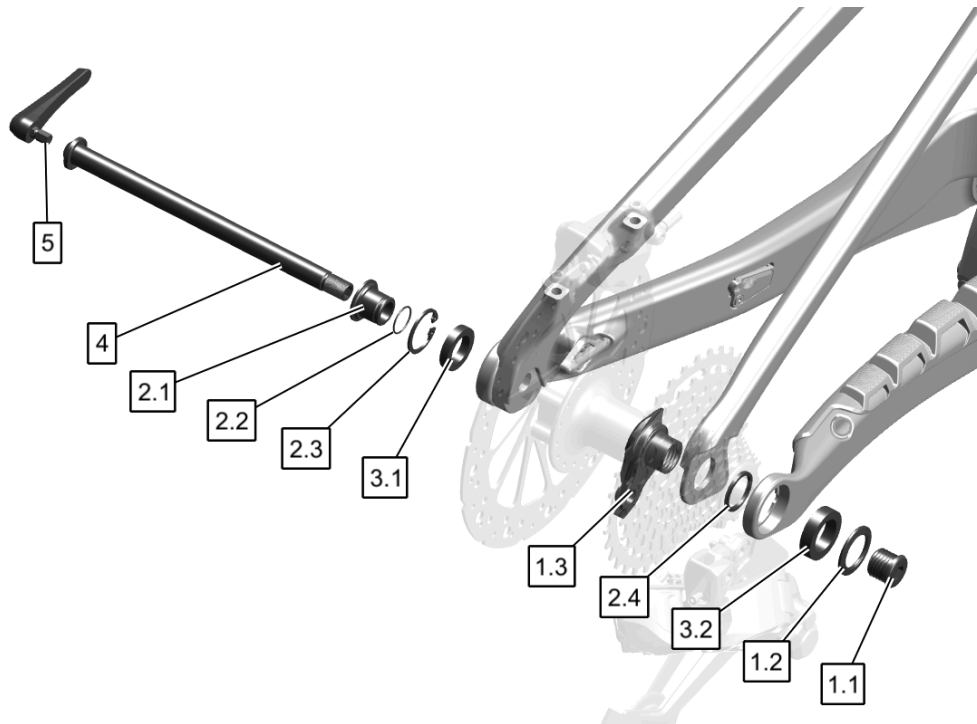


Für Online-Bestellung die Teilenummer anklicken





<b>1. VORBAU OC ST-MC11</b>		<b>TEILE-Nr.: C074</b>
		<b>ANZ.</b>
	<b>1.1.</b> Vorbau OC ST-MC11 (35 mm - 40 mm - 50 mm - 60 mm)	1
	<b>1.2.</b> Vorbauklemmplatte OC ST-MC11 (nicht kompatibel mit Display-Halterung)	1
	<b>1.3</b> Schraube mit konischem Kopf M5 x 15 R8. CrMo	6
	<b>1.4</b> Gabelschaftklemmungsbegrenzer ST-MC10-11. 20 mm x 3,75 mm	1
	<b>1.5</b> Vorbaukappe HS02-31. ST-MC10/20	1
	<b>1.6</b> Schraube M6 x 50 DIN 7991	1
<b>3. SCHRAUBEN-KIT OC-VORBAUTEN</b>		<b>TEILE-Nr.: XC78</b>
Kompatibel mit allen OC-Vorbauten außer ST-RP21		<b>ANZ.</b>
	<b>3</b> Schraube mit konischem Kopf M5 x 15 R8. CrMo	6

<b>4. ST-MC10/20 VORBAUKAPPE HS02-31</b>		<b>TEILE-Nr.: XC79</b>
		<b>ANZ.</b>
	<b>4.1</b> Vorbaukappe HS02-31. ST-MC10/20	1
	<b>4.2</b> Schraube M6 x 50 DIN 7991	1
<b>5. COMPUTERHALTERUNG OC CM-05</b>		<b>TEILE-Nr.: C052</b>
Für OC ST-MC Vorbauten (Mountain Control)		<b>ANZ.</b>
	<b>5.1</b> Fahrradcomputerhalterung OC CM-05	1
	<b>5.2</b> CT-02 Adapter-Kit für Garmin/Sigma, Wahoo, Bryton	3
	<b>5.3</b> Schraube M3 x 8 DIN 7991	1
<b>6. SIC KABELFÜHRUNG HS02 DICHTUNGS-KIT</b>		<b>TEILE-Nr.: C054</b>
		<b>ANZ.</b>
	<b>6.1</b> CT-02 Adapter-Kit für Garmin/Sigma, Wahoo, Bryton	3
	<b>6.2</b> Schraube M3 x 8 DIN 7991	1
<b>7. SC-EN600 DISPLAYHALTERUNG FÜR VORBAU ST-MC11</b>		<b>TEILE-Nr.: XF83</b>
		<b>ANZ.</b>
	<b>7</b> SC-EN600 Displayhalterung für Vorbau ST-MC11	1
<b>8. ST-MC11 SC-EN600 KLEMMPLATTE</b>		<b>TEILE-Nr.: XF84</b>
Zur Aufnahme der Halterung für Display SC-EN600 (XF83)		<b>ANZ.</b>
	<b>8</b> ST-MC11 SC-EN600 Klemmplatte	1


## HINTERRADACHSE



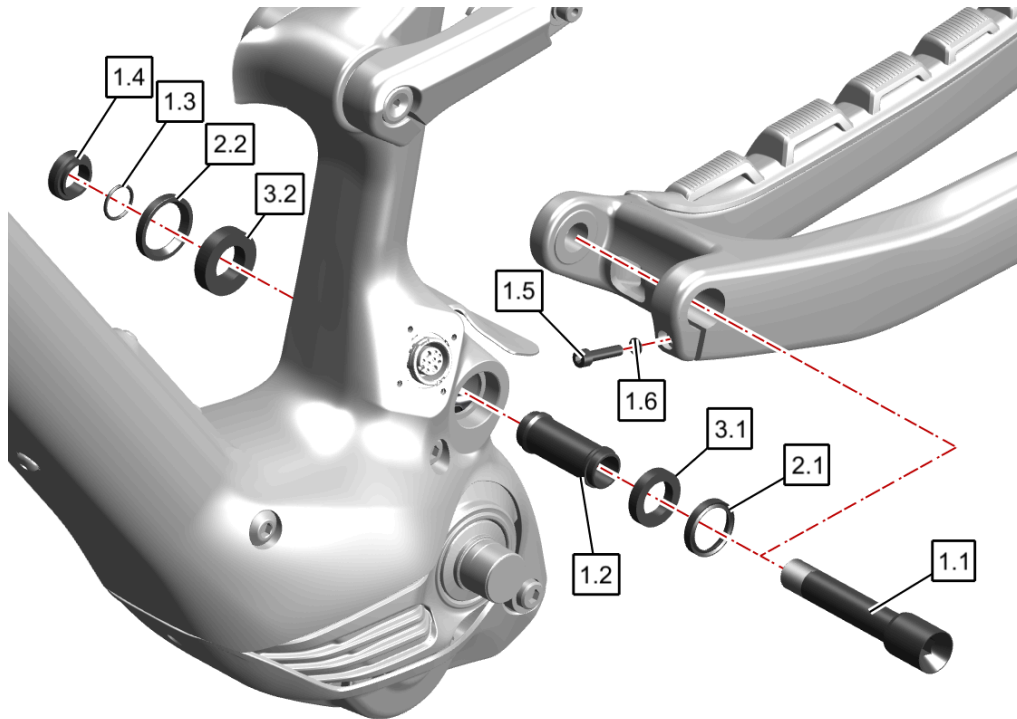
Für Online-Bestellung die Teilenummer anklicken

<b>1. SCHALTAUGE SRAM UDH X12. FS-OPTION</b>		<b>TEILE-Nr.: X004</b>
		<b>ANZ.</b>
	1.1. Schaltaugenschraube Sram UDH	1
	1.2. Schaltaugen-Unterlegscheibe Sram UDH FS-Option	1
	1.3. Schaltauge Sram UDH X12	1
<b>2. KLEINTEILE-KIT HINTERACHSE</b>		<b>TEILE-Nr.: XA50</b>
		<b>ANZ.</b>
	2.1. Occam 24 Einsatz Kettenstrebe-Dämpferwippe	1
	2.2. O-Ring 15 x 1	1
	2.3. Ring SB 26	1
	2.4. UDH-Spacer	1
<b>3. LAGER-KIT HINTERRADACHSE</b>		<b>TEILE-Nr.: XA16</b>
		<b>ANZ.</b>
	3.1. Lager Enduro Max 20307	1
	3.2. Lager Enduro Max 6803	1
<b>4. LAUFRADACHSE 12x184 (1,0 x 15) HOHL</b>		<b>TEILE-Nr.: XA38</b>
		<b>ANZ.</b>
	4. Laufradsteckachse 12 x 171 mm (Gewinde 1,0 x 13 mm). Hohl	1



<b>5. HEBEL FÜR HINTERACHSE</b>			<b>TEILE-Nr.: XD83</b>
			<b>ANZ.</b>
	<b>5</b>	Hinterradachsenhebel 6 mm Innensechskant	1

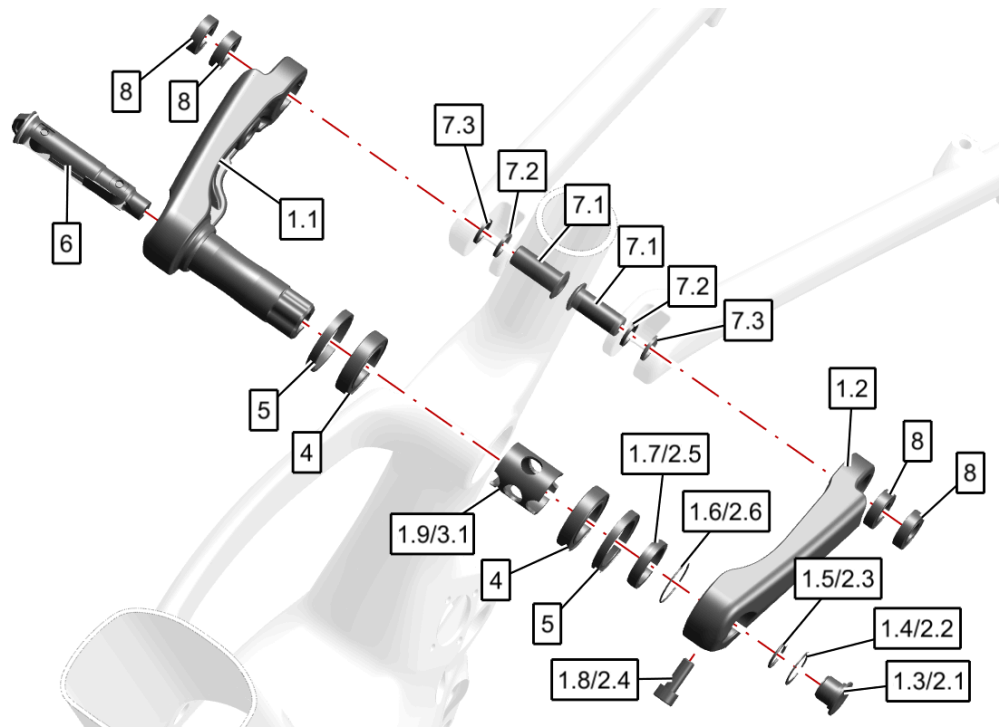
## HAUPTDREHPUNKT DES HINTERBAUS





Für Online-Bestellung die Teilenummer anklicken







<b>1. KLEINTEILE-KIT FÜR HAUPTDREHPUNKT RISE 25</b>		<b>TEILE-Nr.: XF86</b>
		<b>ANZ.</b>
	1.1. Hauptdrehpunktachse Rise 25	1
	1.2. Rise 25 Drehpunktlager-Spacer	1
	1.3. O-Ring 14 x 1,5 mm	1
	1.4. Innenhülse Hauptdrehpunkt	1
	1.5. Edelstahlschraube M5 x 20 DIN 912	1
	1.6. Unterlegscheibe 5 x 8 x 0,5	1
<b>2. DICHTUNGS-KIT FÜR HAUPTDREHPUNKT</b>		<b>TEILE-Nr.: XA20</b>
		<b>ANZ.</b>
	2.1. Dichtung Enduro SE 20 x 26 x 4VG	1
	2.2. Dichtung Enduro SE 20 x 26 x 4VG	1
<b>3. LAGER-KIT FÜR HAUPTDREHPUNKT</b>		<b>TEILE-Nr.: XA19</b>
		<b>ANZ.</b>
	3.1. Lager Enduro Max 6803 17 x 26 x 5	1
	3.2. Lager Enduro Max 6803 17 x 26 x 5	1

## DÄMPFERWIPPE

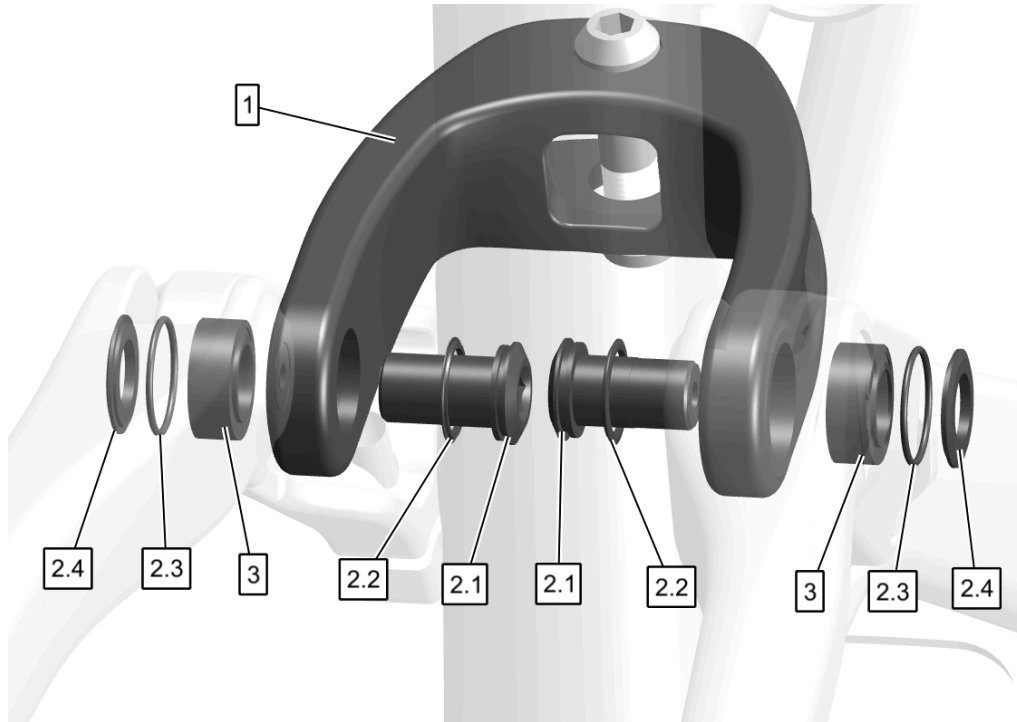


Für Online-Bestellung die Teilenummer anklicken

1. RISE 25 DÄMPFERWIPPE		TEILE-Nr.: XF87	
Lager nicht enthalten		ANZ.	
	1.1	Rise 2025 rechter Wippenarm + Achse	1
	1.2	Rise 2025 rechter Wippenarm	1
	1.3	Vorspannschraube für Wippe mit Magnet	1
	1.4	14,5 x 18 x 0,5 Unterlegscheibe Edelstahl	1
	1.5	O-Ring 12 x 1 mm	1
	1.6	O-Ring (in 1.7 inbegriffen)	1
	1.7	Hülse für Wippenarm-Spacer	1
	1.8	Edelstahlschraube M6 x 16 mm DIN 912	1
	1.9	FT Rise 25 Lager-Spacer	1
2. KLEINTEILE-KIT FÜR DÄMPFERWIPPE		TEILE-Nr.: XC52	
		ANZ.	
	2.1	Vorspannschraube für Wippe mit Magnet	1
	2.2	14,5 x 18 x 0,5 Unterlegscheibe Edelstahl	1
	2.3	O-Ring 12 x 1 mm	1
	2.4	Edelstahlschraube M6 x 16 mm DIN 912	1
	2.5	Hülse für Wippenarm-Spacer	1
	2.6	O-Ring (in 2.5 inbegriffen)	1

<b>3. FT LAGER-SPACER</b>		<b>TEILE-Nr.: XG15</b>
		<b>ANZ.</b>
	<b>3.1</b> FT Rise 2025 Lager-Spacer	1
<b>4. LAGER-KIT DREHPUNKT DÄMPFERWIPPE-RAHMEN</b>		<b>TEILE-Nr.: XA25</b>
		<b>ANZ.</b>
	<b>4</b> Lager Enduro Max 6804 20 x 32 x 7	2
<b>5. DICHTUNGS-KIT DÄMPFERWIPPE-RAHMEN</b>		<b>TEILE-Nr.: XA26</b>
		<b>ANZ.</b>
	<b>5</b> Dichtung Enduro SE 25 x 32 x 4VG	2
<b>6. OC FLP Multitool MT-20, Sechskant 2, 3, 4, 5</b>		<b>TEILE-Nr.: XA14</b>
		<b>ANZ.</b>
	<b>6</b> OC FLP Multitool MT-20, Sechskant 2, 3, 4, 5	1
<b>7. KLEINTEILE-KIT DÄMPFERWIPPE-SITZSTREBE RISE H 25</b>		<b>TEILE-Nr.: XG10</b>
Den kleinen Spacer an der Außenseite und den größeren Spacer an der Innenseite der Dämpferwippe positionieren.		<b>ANZ.</b>
	<b>7.1</b> Rise 25 Achse Dämpferwippe-Sitzstrebe	2
	<b>7.2</b> Innerer Spacer.	2
	<b>7.3</b> Unterlegscheibe 10 x 13 x 1,5 Al6082	2
<b>8. LAGER-KIT DÄMPFERWIPPE-SITZSTREBE</b>		<b>TEILE-Nr.: XA24</b>
		<b>ANZ.</b>
	<b>8</b> Lager Enduro Max 6800 10 x 19 x 5	4

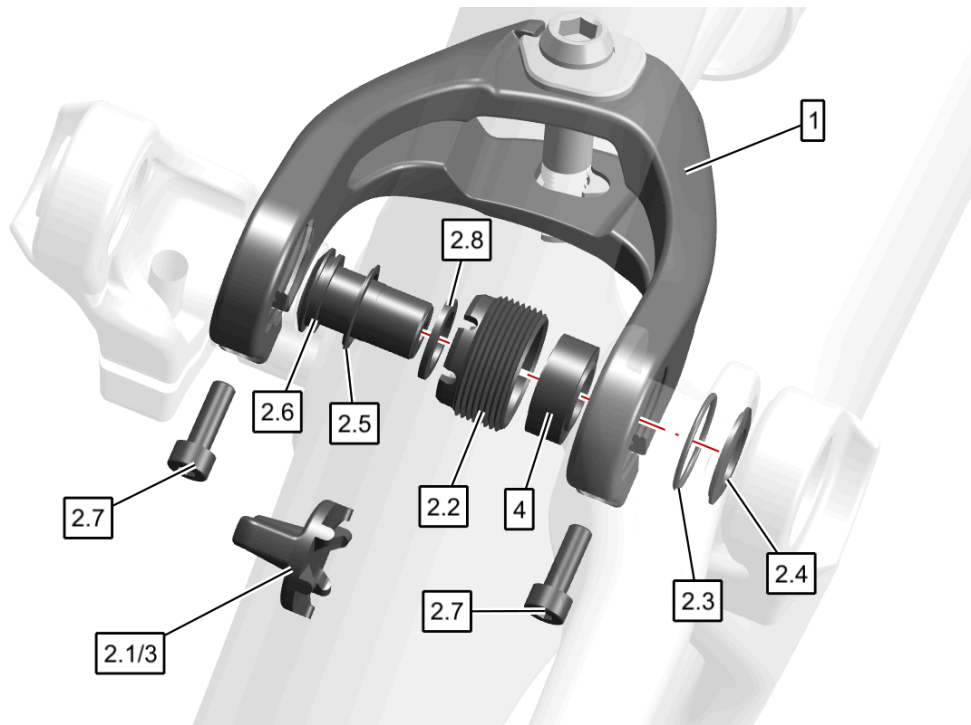
## DÄMPFERVERLÄNGERUNG SL



Für Online-Bestellung die Teilenummer anklicken


<b>1. RISE H SL 25 DÄMPFERVERLÄNGERUNG</b>		<b>TEILE-Nr.: XG14</b>
Lager nicht enthalten		<b>ANZ.</b>
	<b>1</b> Rise H SL Dämpferverlängerung aus Aluminium	<b>1</b>
<b>2. KLEINTEILE-KIT FÜR SL DÄMPFERVERLÄNGERUNG-WIPPE</b>		<b>TEILE-Nr.: XC83</b>
		<b>ANZ.</b>
	<b>2.1</b> Achse Wippe-Dämpferverlängerung	<b>2</b>
	<b>2.2</b> Achsenring Wippe-Dämpferverlängerung 15 x 12 x 0,9	<b>2</b>
	<b>2.3</b> O-Ring 15 x 1 mm	<b>2</b>
	<b>2.4</b> Spacer für Dämpferverlängerung-Gelenk	<b>2</b>
<b>3. LAGER-KIT DÄMPFERVERLÄNGERUNG</b>		<b>TEILE-Nr.: X983</b>
		<b>ANZ.</b>
	<b>3</b> Lager: Enduro Double Raw Max 10177 10 x 17 x 6/7	<b>1</b>

## DÄMPFERVERLÄNGERUNG LT




Für Online-Bestellung die Teilenummer anklicken

<b>1. RISE LT 25 DÄMPFERVERLÄNGERUNG</b>		<b>TEILE-Nr.: XF89</b>
Lager nicht enthalten		<b>ANZ.</b>
	<b>1</b> Alu Rise LT 25 Dämpferverlängerung	1
<b>2. KLEINTEILE-KIT FÜR LT DÄMPFERVERLÄNGERUNG-WIPPE</b>		<b>TEILE-Nr.: XC85</b>
		<b>ANZ.</b>
	<b>2.1</b> LT Lagerkeil-Werkzeug für Dämpferverlängerung	1
	<b>2.2</b> LT Lagerkeil für Dämpferverlängerung	2
	<b>2.3</b> O-Ring 15 x 1 mm	2
	<b>2.4</b> Spacer für Dämpferverlängerung-Gelenk	2
	<b>2.5</b> Achsenring Wippe-Dämpferverlängerung 15 x 12 x 0,9	2
	<b>2.6</b> Achse Wippe-Dämpferverlängerung	2
	<b>2.7</b> Schraube M4 x 12 DIN912	2
	<b>2.8</b> Axle seat washer	2

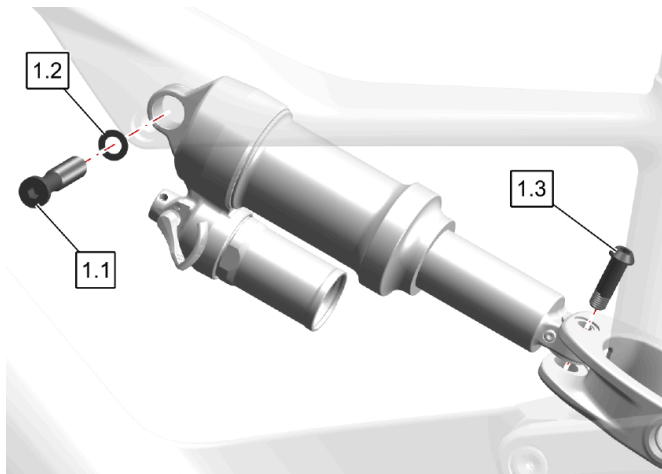
<b>3. LT LAGERKEIL-WERKZEUG FÜR DÄMPFERVERLÄNGERUNG</b>		<b>TEILE-Nr.: XD53</b>
		<b>ANZ.</b>
	<b>3</b> LT Lagerkeil-Werkzeug für Dämpferverlängerung	<b>1</b>

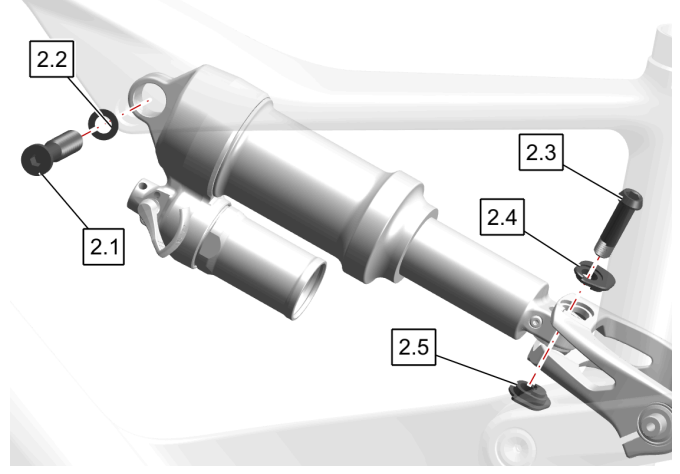
<b>4. LAGER-KIT DÄMPFERVERLÄNGERUNG</b>		<b>TEILE-Nr.: 983</b>
		<b>ANZ.</b>
	<b>4</b> Lager: Enduro Double Raw Max 10177 10 x 17 x 6/7	<b>2</b>

## DÄMPFERBEFESTIGUNG

RISE H SL



RISE LT

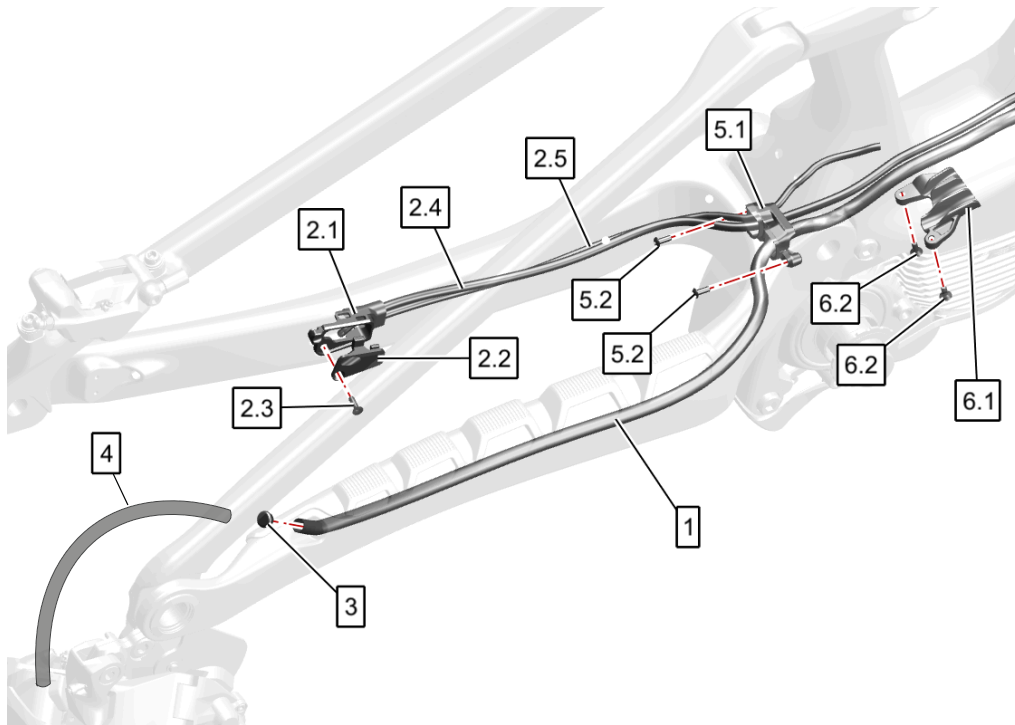


Für Online-Bestellung die Teilenummer anklicken




1. DÄMPFERBEFESTIGUNGS-KIT HYDRO S		TEILE-Nr.: XD89
		ANZ.
	1.1. Aluminiumbolzen Dämpfer-Rahmen	1
	1.2. Unterlegscheibe 8 x 14 x 0,5	1
	1.3. Schraube Dämpferverlängerung SL	1
2. DÄMPFERBEFESTIGUNGS-KIT HYDRO LT		TEILE-Nr.: XD76
		ANZ.
	2.1. Aluminiumbolzen Dämpfer-Rahmen	1
	2.2. Unterlegscheibe 8 x 14 x 0,5	1
	2.3. Schraube Dämpferverlängerung LT	1
	2.4. LT Quick Flip oberer Einsatz Dämpferverlängerung	1
	2.5. LT Quick Flip unterer Einsatz Dämpferverlängerung	1



## KABELFÜHRUNG



Für Online-Bestellung die Teilenummer anklicken

<b>1. CABLE PASS KABELHÜLLE RECHTS</b>		<b>TEILE-Nr.: XC75</b>
		<b>ANZ.</b>
	1 Cable Pass-Kabelhülle an der linken Kettenstrebe	1
<b>2. RISE 25 CABLE PASS KIT LINKS</b>		<b>TEILE-Nr.: XF97</b>
		<b>ANZ.</b>
	2.1 Cable Pass Kabelführung linke Kettenstrebe	1
	2.2 Cable Pass Kabelführungsdeckel linke Kettenstrebe	1
	2.3 Cable Pass Kabelführungsschraube linke Kettenstrebe	1
	2.4 Cable Pass Kabelhülle für Geschwindigkeitssensor	1
	2.5 Cable Pass Kabelhülle für Hinterradbremse	1
<b>3. BLINDSTOPFEN FÜR AXS SCHALTWERK</b>		<b>TEILE-Nr.: X522</b>
		<b>ANZ.</b>
	3 Blindstopfen 6 mm für Sram AXS Schaltwerk	1

<b>4. SCHUTZHÜLLE FÜR DI2 SCHALKABEL</b>			<b>TEILE-Nr.: X989</b>
			<b>ANZ.</b>
	<b>4</b>	Schutzhülle für DI2 Schaltkabel	2

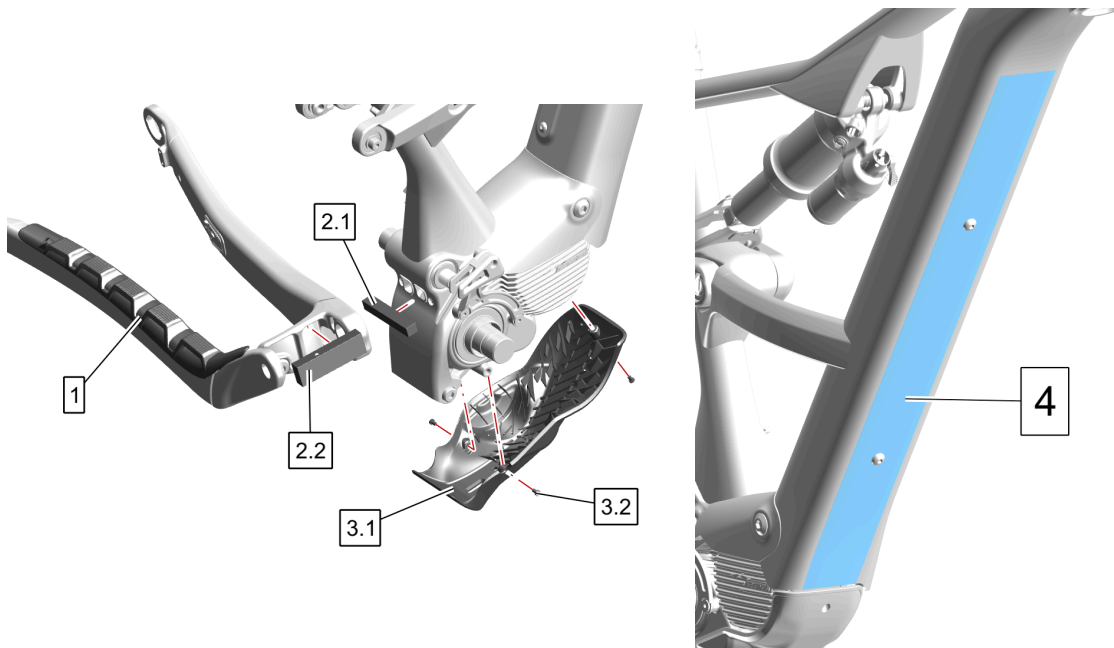
  

<b>5. CABLE PASS KABELFÜHRUNG HAUPTRAHMEN-HINTERBAU</b>			<b>TEILE-Nr.: XF95</b>
			<b>ANZ.</b>
	<b>5.1</b>	Kabelführung Hauptrahmen-Hinterbau	1
	<b>5.2</b>	Edelstahlschraube M3 x 8 mm ISO7380	2


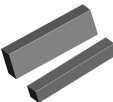


  

<b>6. MOTORRAUM-KABELFÜHRUNG</b>			<b>TEILE-Nr.: XF96</b>
			<b>ANZ.</b>
	<b>6.1</b>	Motorraum-Kabelführung	1
	<b>6.2</b>	Edelstahlschraube M3 x 10 DIN 7991	2

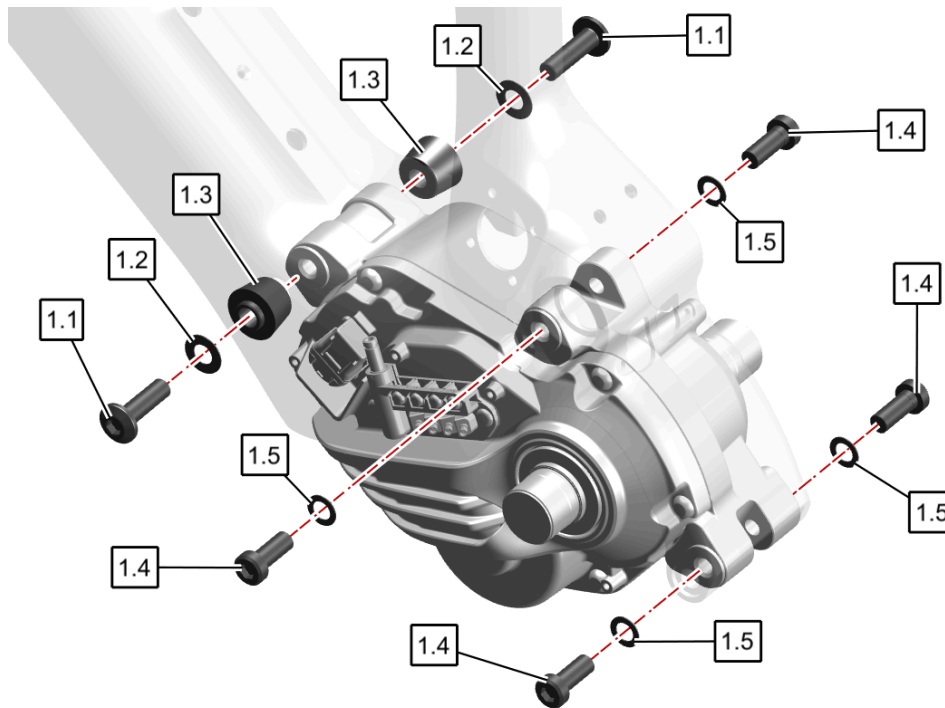
## PROTEKTOREN




Für Online-Bestellung die Teilenummer anklicken

<b>1. RISE H 25 KUNSTSTOFFPROTEKTOR FÜR RECHTE KETTENSTREBE</b>		<b>TEILE-Nr.:</b> XG11
		<b>ANZ.</b>
	<b>1</b> Selbstklebender Kunststoffprotector für rechte Kettenstrebe Rise H 25	1
<b>2. SELBSTKLEBENDER SCHAUMSTOFFPROTEKTOR FÜR HINTERBAU</b>		<b>TEILE-Nr.:</b> XG12
		<b>ANZ.</b>
	<b>2.1</b> Selbstklebender Schaumstoffprotector Hauptrahmen unten	1
	<b>2.2</b> Selbstklebender, klappbarer Schaumstoffprotector oben	1
<b>3. RISE 25 SCHUTZABDECKUNG FÜR MOTOR EP801/EP6</b>		<b>TEILE-Nr.:</b> XF93
		<b>ANZ.</b>
	<b>3.1</b> Rise 25 Schutzabdeckung für Motor EP801/EP6	1
	<b>3.2</b> Motorschutzschraube	3
<b>4. UNTERROHRSCHUTZ TRANSPARENT</b>		<b>TEILE-Nr.:</b> XG13
		<b>ANZ.</b>
	<b>4</b> Unterrohrschutz, selbstklebend, transparent	1

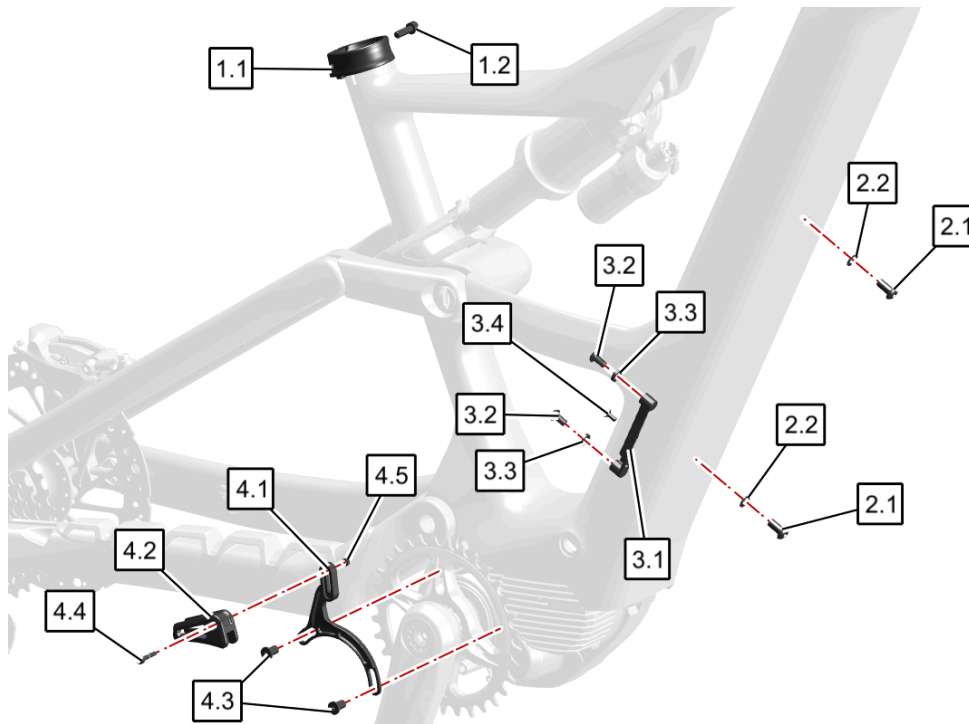
## MOTORBEFESTIGUNG







Für Online-Bestellung die Teilenummer anklicken


1. RISE 2025 MOTORBEFESTIGUNGS-KIT		TEILE-Nr.: XF99
		ANZ.
	1.1 Schraube M8 x 27,6 C16.5	2
	1.2 Unterlegscheibe Edelstahl 8,5 x 16,5 x 0,5	2
	1.3 Buchse Motor Front 8x22x13.6	2
	1.4 Schraube M8 x P1.25	4
	1.5 Unterlegscheibe 13 mm	4

## SONSTIGE RAHMENTEILE

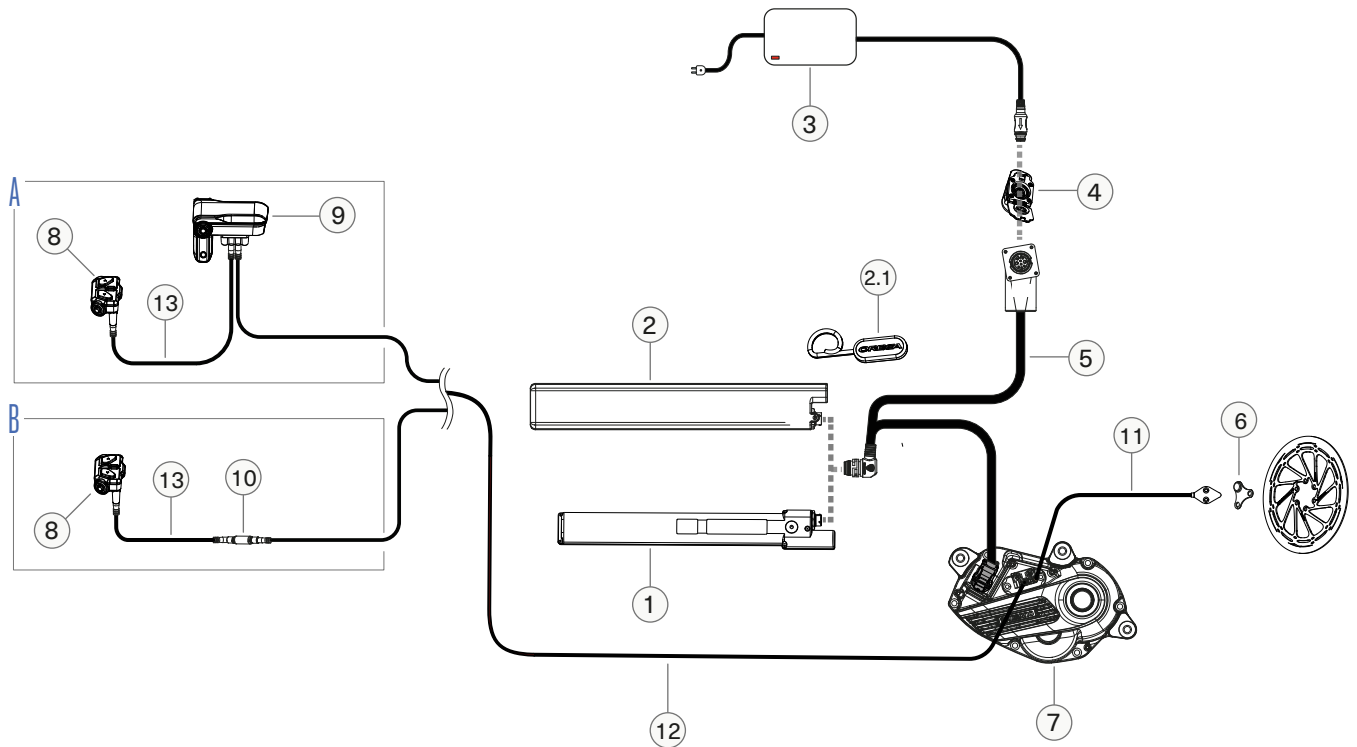


Für Online-Bestellung die Teilenummer anklicken

<b>1. SATTELSTÜTZENKLEMME 34,9</b>		<b>TEILE-Nr.: X202</b>
		<b>ANZ.</b>
	1.1 Sattelstützenklemme 34,9 mm Schwarz	1
	1.2 Klemmschraube	1
<b>2. BEFESTIGUNGS-KIT FÜR INTEGRIERTEN AKKU</b>		<b>TEILE-Nr.: XA88</b>
		<b>ANZ.</b>
	2.1 Akkuschraube M6 x 9 mm	2
	2.2 Unterlegscheibe 6 x 11 x 0,5 mm	2
<b>3. FLASCHENHALTER-INNENPLATTEN-KIT</b>		<b>TEILE-Nr.: XF98</b>
		<b>ANZ.</b>
	3.1 Flaschenhalter-Innenplatte	1
	3.2 Schraube M5 x 10 mm	2
	3.3 Unterlegscheibe 5,5 x 10 x 2, schwarz	2
	3.4 Schraube M3 x 6 mm, DIN 7991	1
<b>3.a. SCHRAUBEN-KIT FÜR RISE FLASCHENHALTER</b>		<b>TEILE-Nr.: XA80</b>
		<b>ANZ.</b>
	3.a.1 Unterlegscheibe 5,5 x 10 x 2, schwarz	4
	3.a.2 Schraube M5 x 10 mm	1

<b>4. KETTENFÜHRUNGSKIT RISE 25 KETTENLINIE 55</b>			<b>TEILE-Nr.: XF90</b>
			<b>ANZ.</b>
	<b>4.1</b>	Kettenführungsabstützung Rise 25 Kettenlinie 55 mm	1
	<b>4.2</b>	Kettenführung	1
	<b>4.3</b>	Verschraubung Kettenführung-Motor	2
	<b>4.4</b>	Schraube M3 x 15 DIN 912	1
	<b>4.5</b>	Mutter M3 DIN934	1

## KOMPONENTEN DES ELEKTRISCHEN ANTRIEBSSYSTEMS


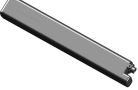










Für Online-Bestellung die Teilenummer anklicken (Orbea-Teile)

A. Mit Display Shimano SC-EN600





B. Ohne Display Shimano SC-EN600

### ORBEA EBIKE SYSTEMS KOMPONENTEN

1. AKKU ORBEA 420 Wh GEN2		TEILE-Nr.: XG03
Erhältlich über Orbea-Händler		ANZ.
	1. Akku Orbea 420 Wh Gen2	1
2. AKKU ORBEA 630 WH GEN2		TEILE-Nr.: XF39
Erhältlich über Orbea-Händler		ANZ.
	1. Akku Orbea 630 Wh Gen2	1
2.1. ORBEA AKKUSCHLAUFE		TEILE-Nr.: XF80
		ANZ.
	2.1. Orbea Akkuschlaufe	1

<b>3. ORBEA SMART CHARGER GEN2</b>		<b>TEILE-Nr.: X977</b>
		<b>ANZ.</b>
	<b>3.</b> Orbea Smart Charger Gen2	1
<b>4. LADEBUCHSENABDECKUNG RISE 25</b>		<b>TEILE-Nr.: XG01</b>
Einschließlich Befestigungsschrauben		<b>ANZ.</b>
	<b>4..</b> Ladebuchsenabdeckung Rise 25	1
<b>5. RISE 25 GEN2 KABELBAUM</b>		<b>TEILE-Nr.: XG02</b>
		<b>ANZ.</b>
	<b>5..</b> Rise 2025 Gen2 Kabelbaum Akku-Motor-Ladebuchse	1
<b>6. GESCHWINDIGKEITSSENSORMAGNET 6-LOCH</b>		<b>TEILE-Nr.: X240</b>
		<b>ANZ.</b>
	<b>6..</b> Geschwindigkeitssensormagnet 6-Loch-Bremsscheiben	1
<b>SHIMANO-KOMPONENTEN</b> (erhältlich über Shimano-Vertrieb)		
<b>7. MOTOR EP801/EP6</b>		<b>DU-EP801 / DU-EP6</b>
		<b>ANZ.</b>
	<b>7.</b> Shimano-Motor EP801/EP6	1
<b>8. SCHALTEREINHEIT SW-EN600-L</b>		<b>SW-EN600-L</b>
		<b>ANZ.</b>
	<b>8.</b> Bedieneinheit SW-EN600-L	1
<b>9. DISPLAY SC-EN600</b>		<b>SC-EN600</b>
		<b>ANZ.</b>
	<b>9.</b> Display SC-EN600	1








<b>10. VERBINDUNGSADAPTER EW-JC302</b>		<b>EW-JC302</b>
		<b>ANZ.</b>
	<b>10.</b> Verbindungsadapter EW-JC302	1
<b>11. GESCHWINDIGKEITSENSOR EW-SS301</b>		<b>EW-SS301</b>
Einschließlich Befestigungsschrauben		<b>ANZ.</b>
	<b>11.</b> Geschwindigkeitssensor EW-SS301	1
<b>12. EW-SD300 KABEL 1200 mm</b>		<b>EW-SD300 700</b>
		<b>ANZ.</b>
	<b>12.</b> EW-SD300 Kabel 1200 mm	1
<b>13. EW-SD300 KABEL 700 mm</b>		<b>EW-SD300 700</b>
		<b>ANZ.</b>
	<b>13.</b> EW-SD300 Kabel 1200 mm	1

## RANGE EXTENDER RS 210 WH GEN2



Für Online-Bestellung die Teilenummer anklicken

<b>1. RANGE EXTENDER RS 210 Wh GEN2</b>		<b>TEILE-Nr.: -</b>
Einschließlich 120 mm Anschlusskabel, Flaschenhalterbefestigung und Sicherungsriemen aus Gummi		<b>ANZ.</b>
	<b>1</b> Range Extender RS 210 komplett	1
<b>2. RANGE EXTENDER RS 210 Wh ANSCHLUSSKABEL 120 mm</b>		<b>TEILE-Nr.: XG04</b>
		<b>ANZ.</b>
	<b>2</b> Range Extender RS 210 Wh Gen2 Verbindungskabel 120 mm	1
<b>3. HALTERUNG RANGE EXTENDER RS 210 Wh GEN2</b>		<b>TEILE-Nr.: XG05</b>
		<b>ANZ.</b>
	<b>3</b> Flaschenhalter-Halterung Range Extender RS 210 Wh GEN2	1
<b>4. RANGE EXTENDER RS 210 Wh SICHERUNGS-GUMMIRIEMEN-KIT</b>		<b>TEILE-Nr.: XG06</b>
		<b>ANZ.</b>
	<b>4</b> Range Extender Sicherungs-Gummiriemen-Kit	
<b>5. SCHRAUBEN-KIT FÜR RISE FLASCHENHALTER</b>		<b>TEILE-Nr.: XA80</b>
		<b>ANZ.</b>
	<b>5.1</b> Unterlegscheibe 5,5 x 10 x 2, schwarz	4
	<b>5.2</b> Schraube M5 x 10	2

# 25 ZUSÄTZLICHE INFORMATIONEN

In den sozialen Medien findest du weitere Informationen über Orbea.

## FACEBOOK

[www.facebook.com/orbeabicycles](http://www.facebook.com/orbeabicycles)

## INSTAGRAM

[www.instagram.com/orbeabicycles](http://www.instagram.com/orbeabicycles)

## LINKEDIN

[www.linkedin.com/company/orbea-s-coop](http://www.linkedin.com/company/orbea-s-coop)

## YOUTUBE

[www.youtube.com/user/OrbeaBicycles](http://www.youtube.com/user/OrbeaBicycles)

## HANDBÜCHER

Die neueste Version dieser Anleitung sowie die Handbücher zu allen anderen Orbea- und OC-Produkten kannst du hier herunterladen:

[www.orbea.com/gb-en/support/manuals/](http://www.orbea.com/gb-en/support/manuals/)

## KONTAKT

Bei Fragen zu unseren Produkten besuche bitte diese Seite:

[www.orbea.com/gb-en/contact/](http://www.orbea.com/gb-en/contact/)

## ORBEA BLOG

[www.orbea.com/blog](http://www.orbea.com/blog)

---

**Orbea S. Coop. 2024**  
Goitondo Kalea, 2, 48269 Mallabia, Bizkaia. Spanien

**T. 0034 943 17 19 50**

Alle Rechte vorbehalten. Sämtliche Änderungen an diesem Dokument sind untersagt. Der Inhalt dieses Anleitung kann sich ohne vorherige Ankündigung ändern.

Die neueste Version findest du unter [www.orbea.com](http://www.orbea.com)